



US00D945263S

(12) **United States Design Patent** (10) **Patent No.:** **US D945,263 S**  
**Font** (45) **Date of Patent:** **\*\* Mar. 8, 2022**

(54) **DOSING CAP**

FOREIGN PATENT DOCUMENTS

(71) Applicant: **VIROSPACK, S.L.U.**, Barcelona (ES)

CN 306891191 \* 10/2021

(72) Inventor: **Jordi Font**, Barcelona (ES)

EM 007510540-0001 \* 1/2020

KR 301140089.0000 \* 12/2021

(73) Assignee: **VIROSPACK, S.L.U.**, Barcelona (ES)

OTHER PUBLICATIONS

(\*\*) Term: **15 Years**

Author unknown, "Innovative Ring Push Button Dropper Pack", Virospack news [Date Posted Feb. 24, 2020], [Site seen Dec. 28, 2021], Seen at URL: <https://virospack.com/innovative-ring-push-button-dropper-pack/> (Year: 2020).\*

(21) Appl. No.: **29/741,532**

(22) Filed: **Jul. 14, 2020**

(Continued)

(30) **Foreign Application Priority Data**

Jan. 14, 2020 (EM) ..... 007510540

*Primary Examiner* — Natasha Vujcic

*Assistant Examiner* — Gilbert B Ford

(74) *Attorney, Agent, or Firm* — Tucker Ellis LLP

(51) **LOC (13) Cl.** ..... **09-07**

(52) **U.S. Cl.**

USPC ..... **D9/448**

(58) **Field of Classification Search**

USPC ..... D24/108, 112–114, 127–131, 119, 133, D24/186; D3/201, 202, 203.1–203.4; D7/589, 602, 629; D9/544, 547, 549, D9/550, 563, 564, 448

CPC ... G01F 11/263; G01F 11/288; B65D 47/122; B65D 47/241; B65D 1/32; B65D 50/04; B65D 2215/02; A61J 7/04

See application file for complete search history.

(57) **CLAIM**

I claim, the ornamental design for a dosing cap, as shown and described.

**DESCRIPTION**

FIG. 1 is an elevated perspective view of a dosing cap; FIG. 2 is an inverted perspective view of the dosing cap depicted in FIG. 1; FIG. 3 is a left side view of the dosing cap depicted in FIG. 1, where the right side view and rear view are identical to FIG. 3; FIG. 4 is a 45 degree rotated right view of the dosing cap depicted in FIG. 1; FIG. 5 is a top view of the dosing cap depicted in FIG. 1; and, FIG. 6 is a bottom view of the dosing cap depicted in FIG. 1. The broken lines in the figures depict a vial engaging the dosing cap, the vial forming no part of the claimed design.

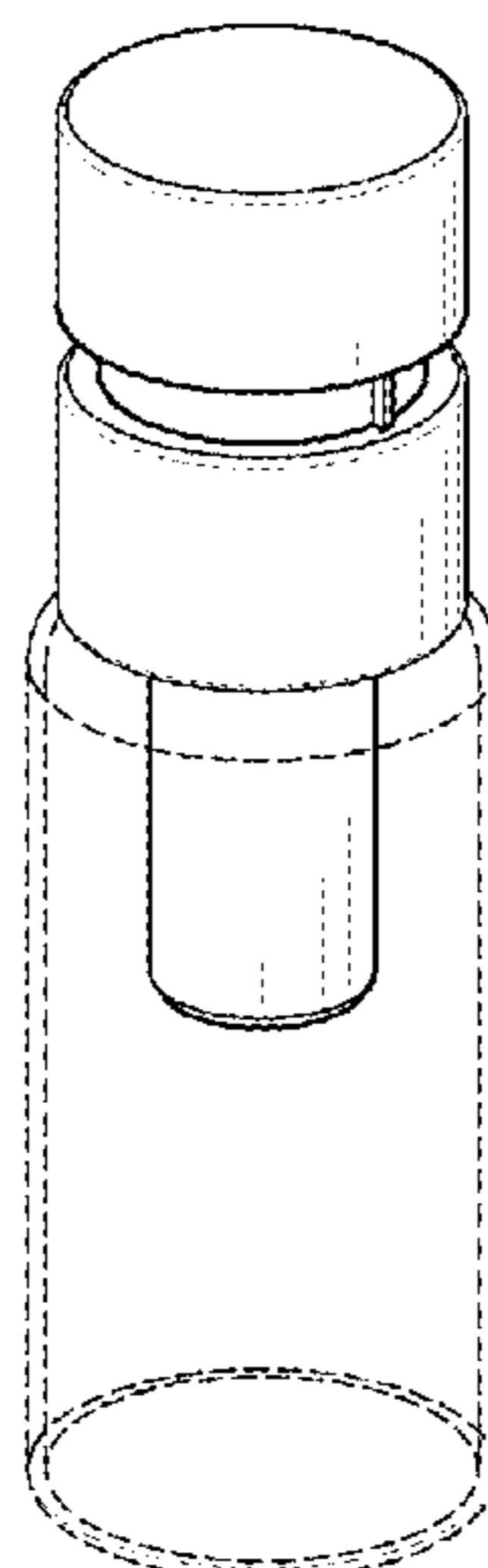
(56) **References Cited**

U.S. PATENT DOCUMENTS

D684,052 S \* 6/2013 Bakic ..... D9/448  
9,120,112 B2 \* 9/2015 Wegener ..... B05B 11/3008  
D794,450 S \* 8/2017 Moreaux ..... D9/448  
D805,637 S \* 12/2017 Bureau ..... D24/130  
D845,782 S \* 4/2019 Faillant-Dumas ..... D9/503  
D848,611 S \* 5/2019 Skakoon ..... D24/119  
D856,140 S \* 8/2019 Zarfl ..... D9/448  
D881,007 S \* 4/2020 Christianson ..... D9/448  
D929,581 S \* 8/2021 Jones ..... D24/130  
D932,006 S \* 9/2021 Nicholas ..... D24/113  
D936,218 S \* 11/2021 McLean ..... D24/130

(Continued)

**1 Claim, 2 Drawing Sheets**



(56)

**References Cited**

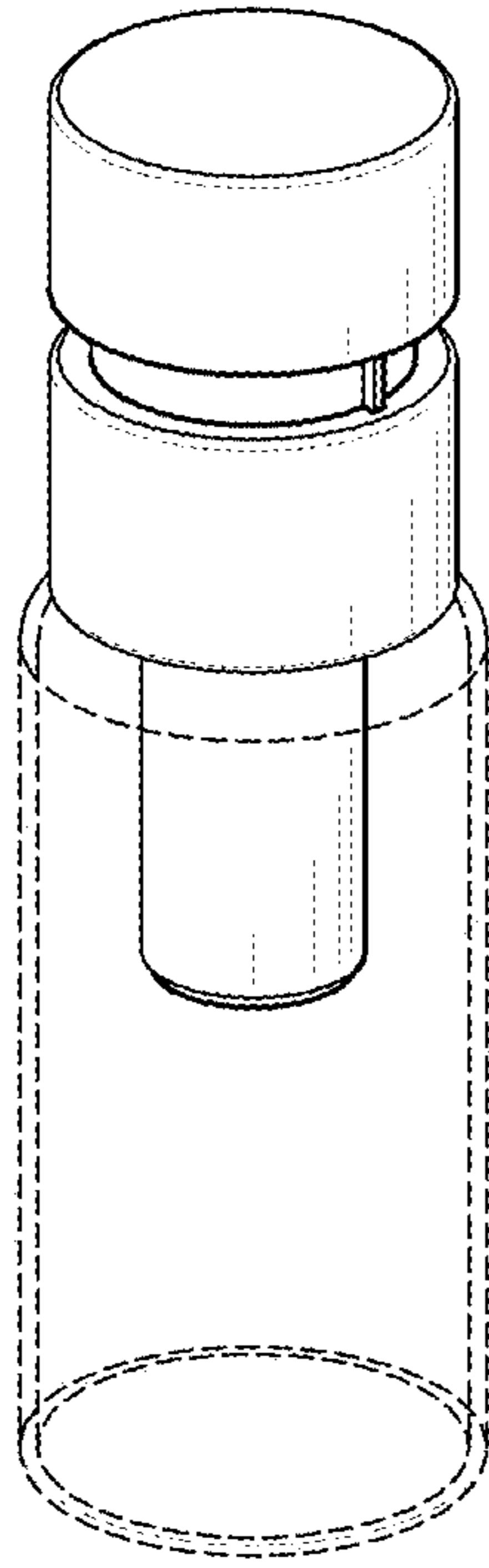
U.S. PATENT DOCUMENTS

D936,961 S \* 11/2021 Northern ..... D3/203.1  
2012/0279968 A1 \* 11/2012 Levy Sarraf ..... A61J 1/1406  
220/288  
2014/0048507 A1 \* 2/2014 Brambilla ..... B65D 51/285  
215/257  
2014/0166157 A1 \* 6/2014 Salinas ..... B65D 51/2835  
141/329  
2017/0121078 A1 \* 5/2017 Breisinger ..... B65D 41/04  
2017/0336234 A1 \* 11/2017 Pater ..... G01F 11/263  
2018/0318174 A1 \* 11/2018 Gosselin ..... A61J 7/0076  
2019/0047754 A1 \* 2/2019 Dubiel ..... G01F 11/006  
2019/0118204 A1 \* 4/2019 Skillin ..... B05B 11/0032  
2021/0382295 A1 \* 12/2021 Booker ..... F21L 4/02  
2021/0389166 A1 \* 12/2021 Valavala ..... B65D 41/26

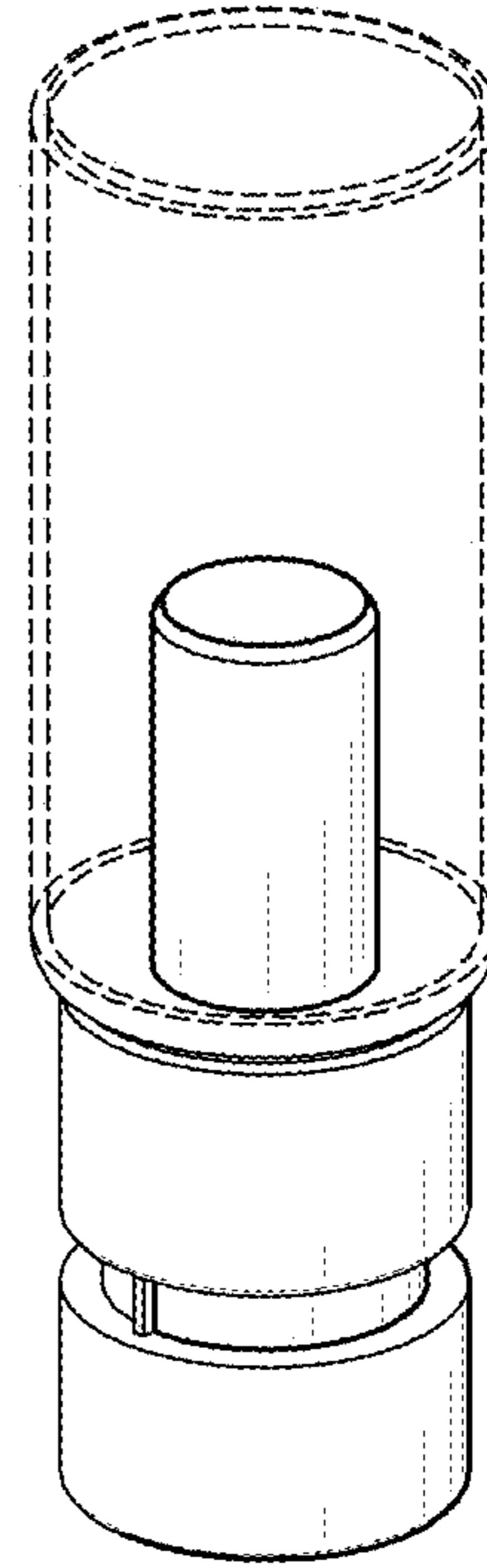
OTHER PUBLICATIONS

Author unknown, "Virospack Introduces the Ring Pushbutton Drop-  
per", Beauty Packaging, [Post date Apr./May 2019], [Site seen Dec.  
28, 2021], Seen at URL: [https://beautypackaging.texterity.com/  
beautypackaging/april\\_may\\_2019/MobilePagedArticle.action](https://beautypackaging.texterity.com/beautypackaging/april_may_2019/MobilePagedArticle.action) (Year:  
2019).\*

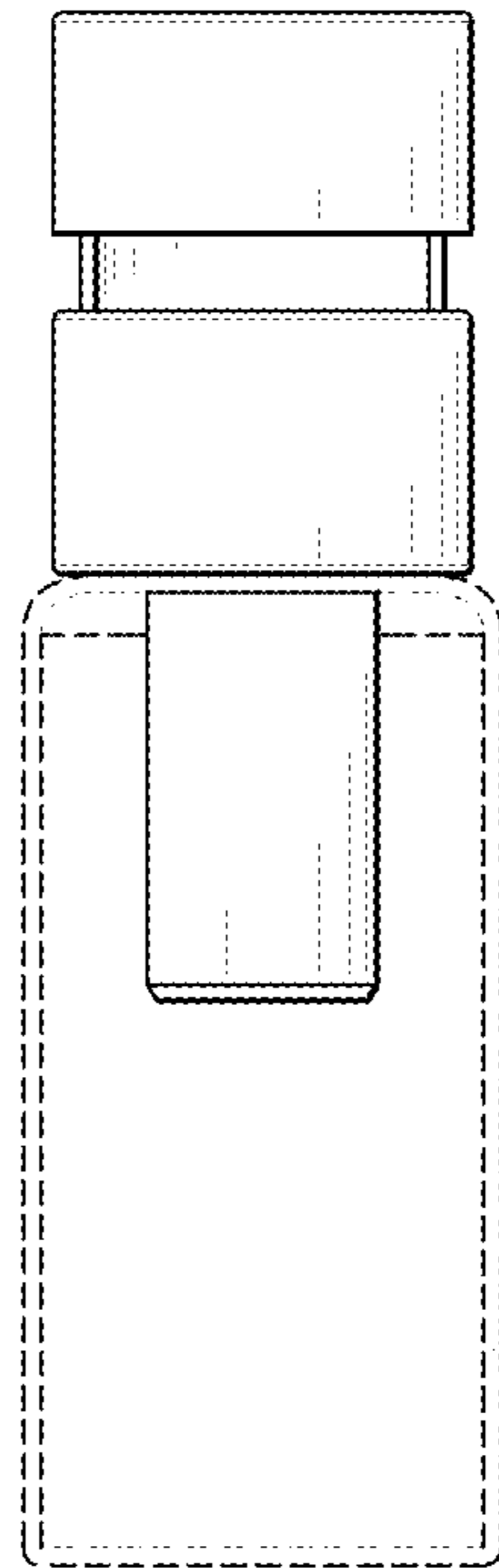
\* cited by examiner



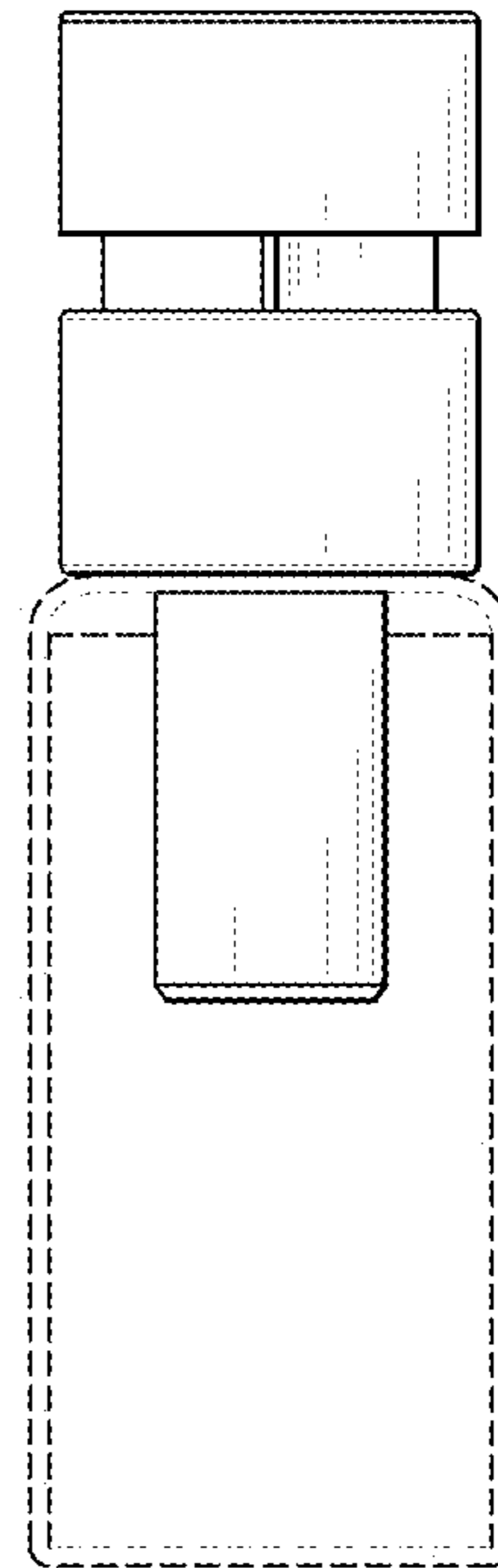
**FIG. 1**



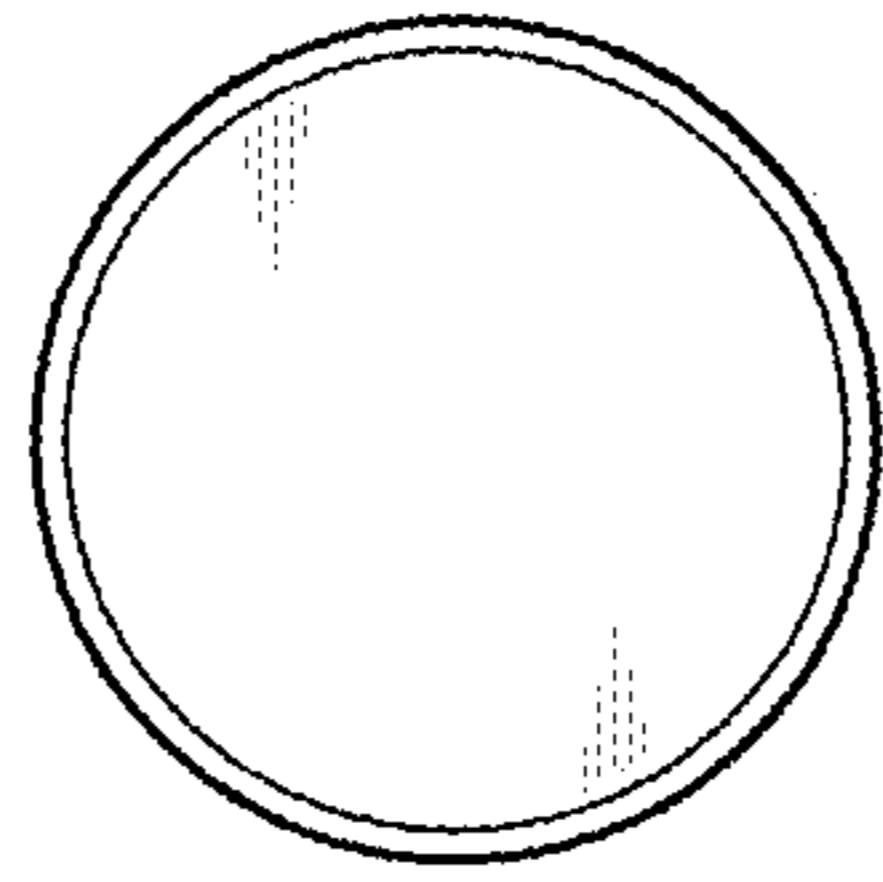
**FIG. 2**



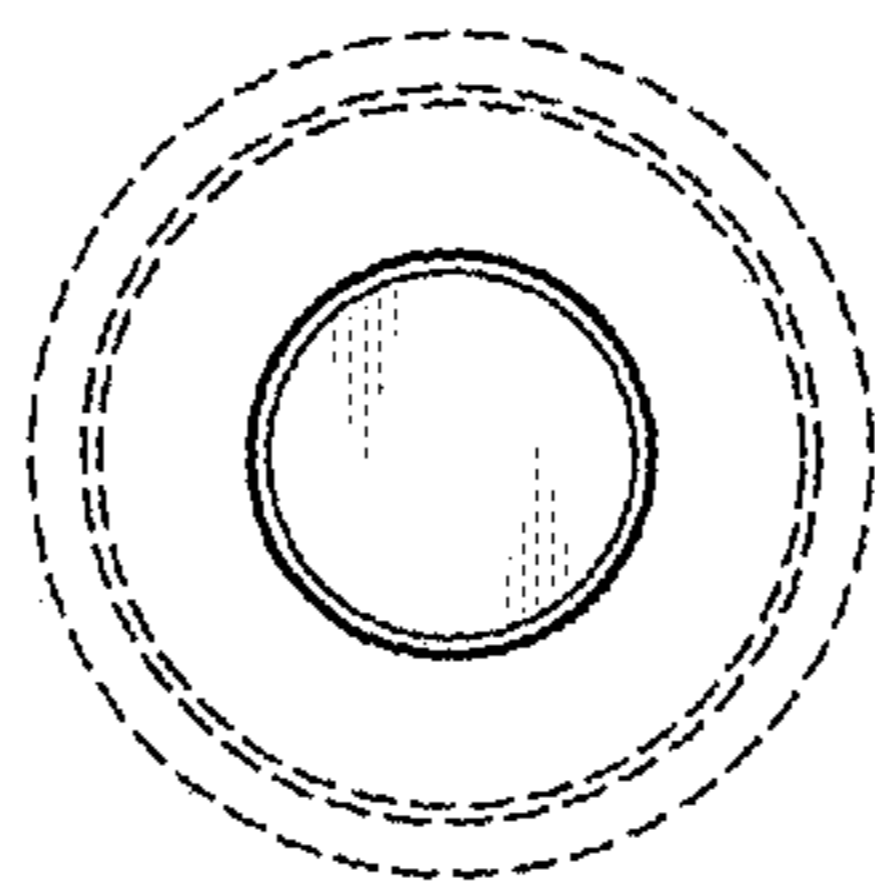
**FIG. 3**



**FIG. 4**



**FIG. 5**



**FIG. 6**