



US00D945262S

(12) **United States Design Patent**  
**Voloshin**

(10) **Patent No.:** **US D945,262 S**  
(45) **Date of Patent:** **\*\* Mar. 8, 2022**

- (54) **OVERLAY CAP FOR BOTTLES**
- (71) Applicant: **Edward Voloshin**, Las Vegas, NV (US)
- (72) Inventor: **Edward Voloshin**, Las Vegas, NV (US)
- (\*\*) Term: **15 Years**
- (21) Appl. No.: **29/717,991**
- (22) Filed: **Dec. 20, 2019**
- (51) **LOC (13) Cl.** ..... **09-07**
- (52) **U.S. Cl.**  
USPC ..... **D9/436**
- (58) **Field of Classification Search**  
USPC ..... D7/509, 510, 511, 624.1, 387, 391, 392,  
D7/392.1, 393, 396.1, 396.2, 400, 561,  
D7/396.4, 401.1; D9/434, 435, 439, 445,  
D9/447, 451, 452, 454; D23/259, 260,  
D23/261, 209, 210; D24/162, 127;  
D28/76, 85, 91.1; D8/300, 303, 321, 322  
CPC ... B65D 1/00; B65D 1/02; B65D 1/10; B65D  
1/46; B65D 2585/56; B65D 2585/545;  
B65D 41/00; B65D 41/38; B65D 41/56;  
B65D 41/62; B65D 47/00; B65D 47/06;  
B65D 47/08; B65D 23/00; B65D  
51/1694; B65D 43/0212; B65D 43/0208;  
B65D 2543/00046; B65D 2543/00092;  
B65D 1/24; B65D 25/04; B65D 43/09;  
B65D 43/16; A61J 1/00; A61J 1/1412;  
A61J 1/02  
See application file for complete search history.

(56) **References Cited**

**U.S. PATENT DOCUMENTS**

- D257,057 S \* 9/1980 Logsdon ..... D23/260
- D264,441 S \* 5/1982 Smith ..... D9/452
- D300,350 S \* 3/1989 Mathison ..... D23/260
- D445,681 S \* 7/2001 Kimble ..... D9/434
- D453,109 S \* 1/2002 Piquet ..... D9/451

- D513,983 S \* 1/2006 Erdie ..... D9/439
- D609,564 S \* 2/2010 Paine ..... D9/434
- D612,914 S \* 3/2010 Morad ..... D23/261
- D615,400 S \* 5/2010 Usui ..... D9/454
- D621,009 S \* 8/2010 Mjelde ..... D23/261
- D672,237 S \* 12/2012 Simonian ..... D9/436
- D682,694 S \* 5/2013 van den Hoonaard ..... D9/451
- D703,043 S \* 4/2014 Kovitz ..... D9/435
- D704,556 S \* 5/2014 van den Hoonaard ..... D9/451
- D754,304 S \* 4/2016 Morris ..... D23/260
- D763,691 S \* 8/2016 Marantis ..... D9/454
- D796,326 S \* 9/2017 Ichikawa ..... D9/453
- D834,883 S \* 12/2018 Lane ..... D7/396.2

(Continued)

**OTHER PUBLICATIONS**

VitaNourish Water: Announced Sep. 17, 2018 [online]. Site Visited [May 17, 2021]. Available from Internet URL: <https://www.youtube.com/watch?v=C1InUR8d-ro>.\*

*Primary Examiner* — Catherine S Posthauer  
(74) *Attorney, Agent, or Firm* — Bayramoglu Law Offices LLC

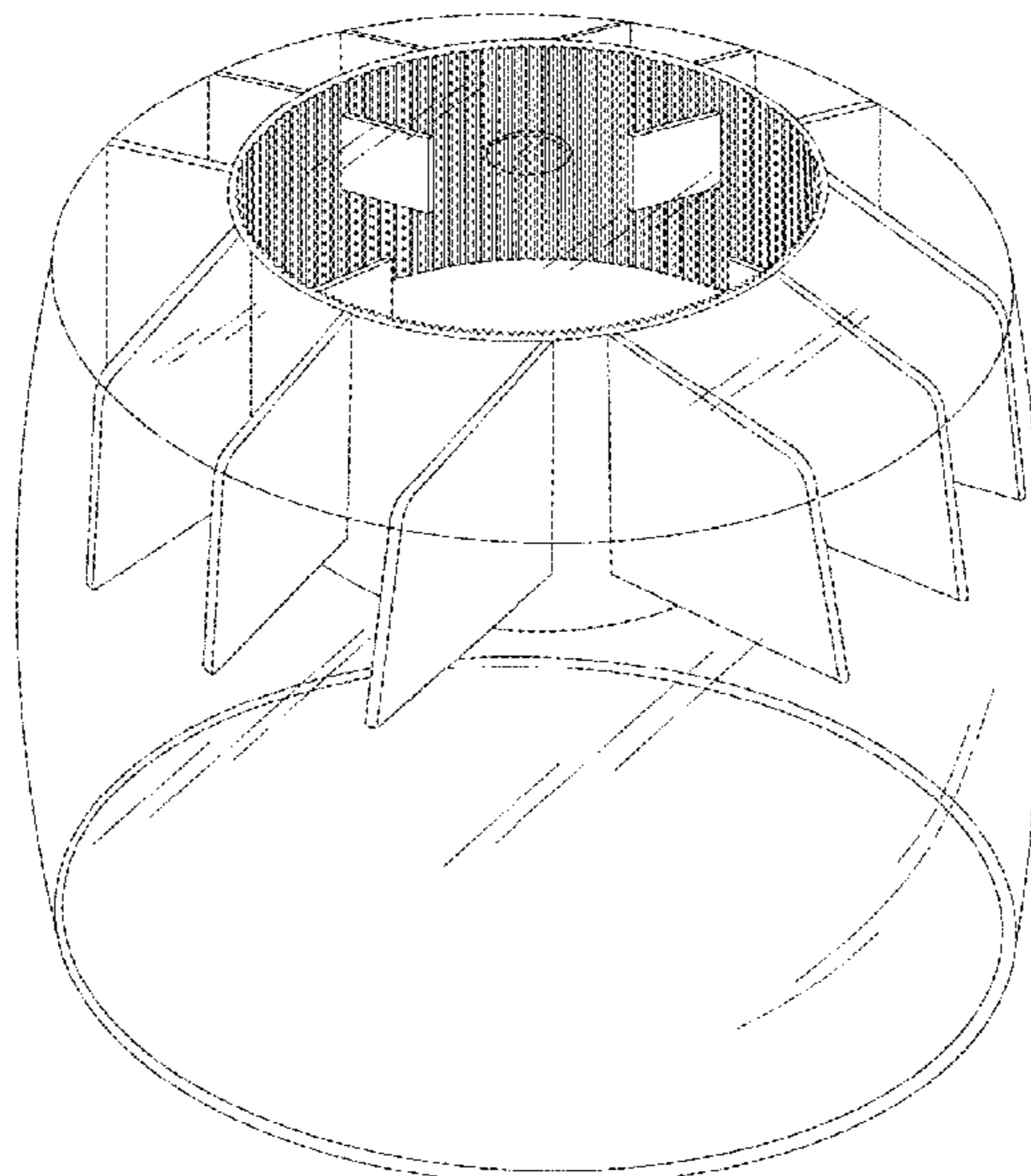
(57) **CLAIM**

The ornamental design for an overlay cap for bottles, as shown and described.

**DESCRIPTION**

FIG. 1 is a perspective view of an overlay cap for bottles showing my new design;  
FIG. 2 is a top view thereof;  
FIG. 3 is another perspective view thereof;  
FIG. 4 is a front elevational view thereof; and,  
FIG. 5 is a bottom view thereof.  
A rear elevational view, a left side view and a right-side view are omitted since the rear elevational view, the left side view and the right-side view are identical with the front elevational view.

**1 Claim, 5 Drawing Sheets**



(56)

**References Cited**

U.S. PATENT DOCUMENTS

D849,209 S \* 5/2019 Sapara, Jr. .... D23/261  
D913,095 S \* 3/2021 Kobayashi ..... D9/455

\* cited by examiner

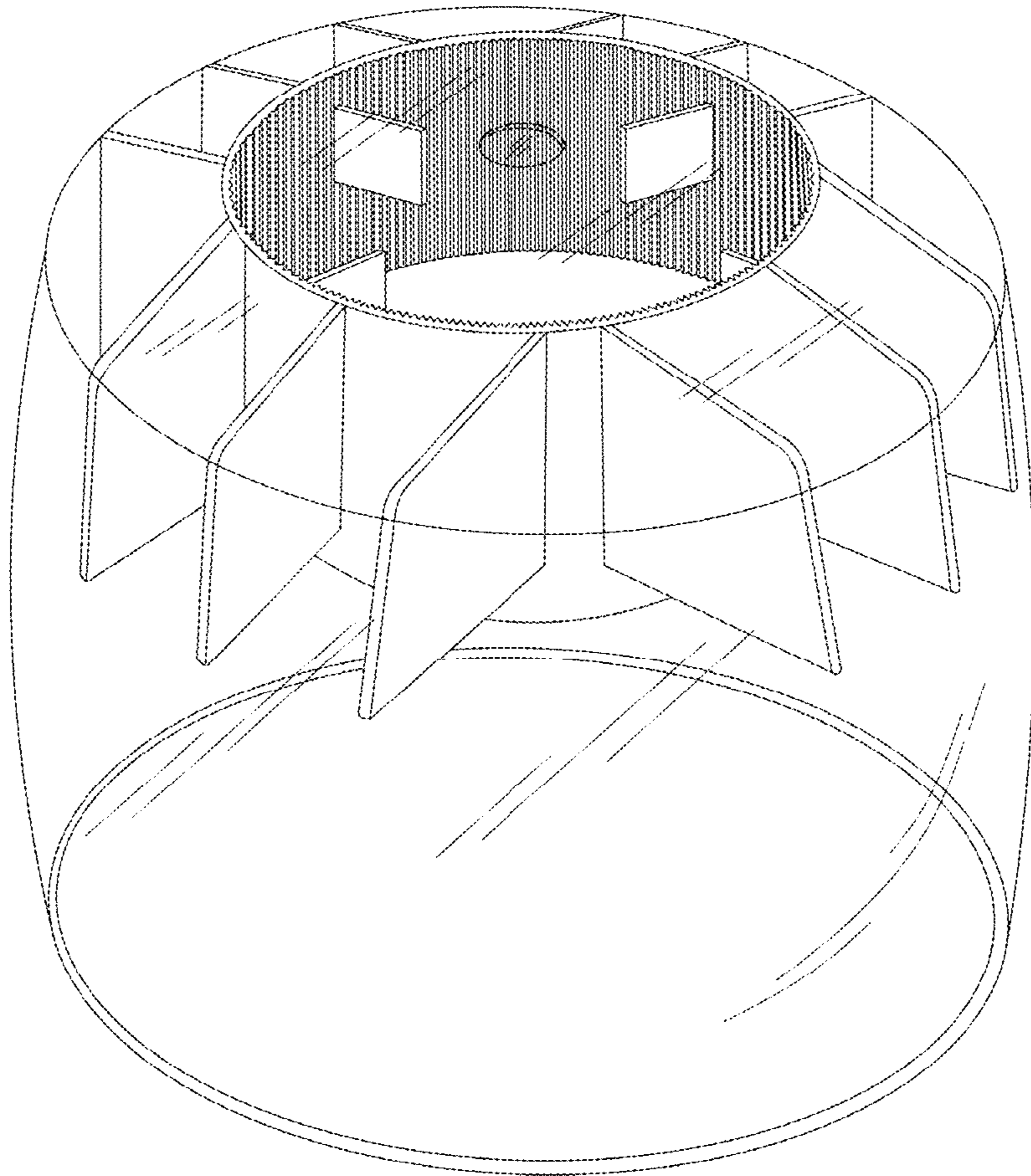


FIG. 1

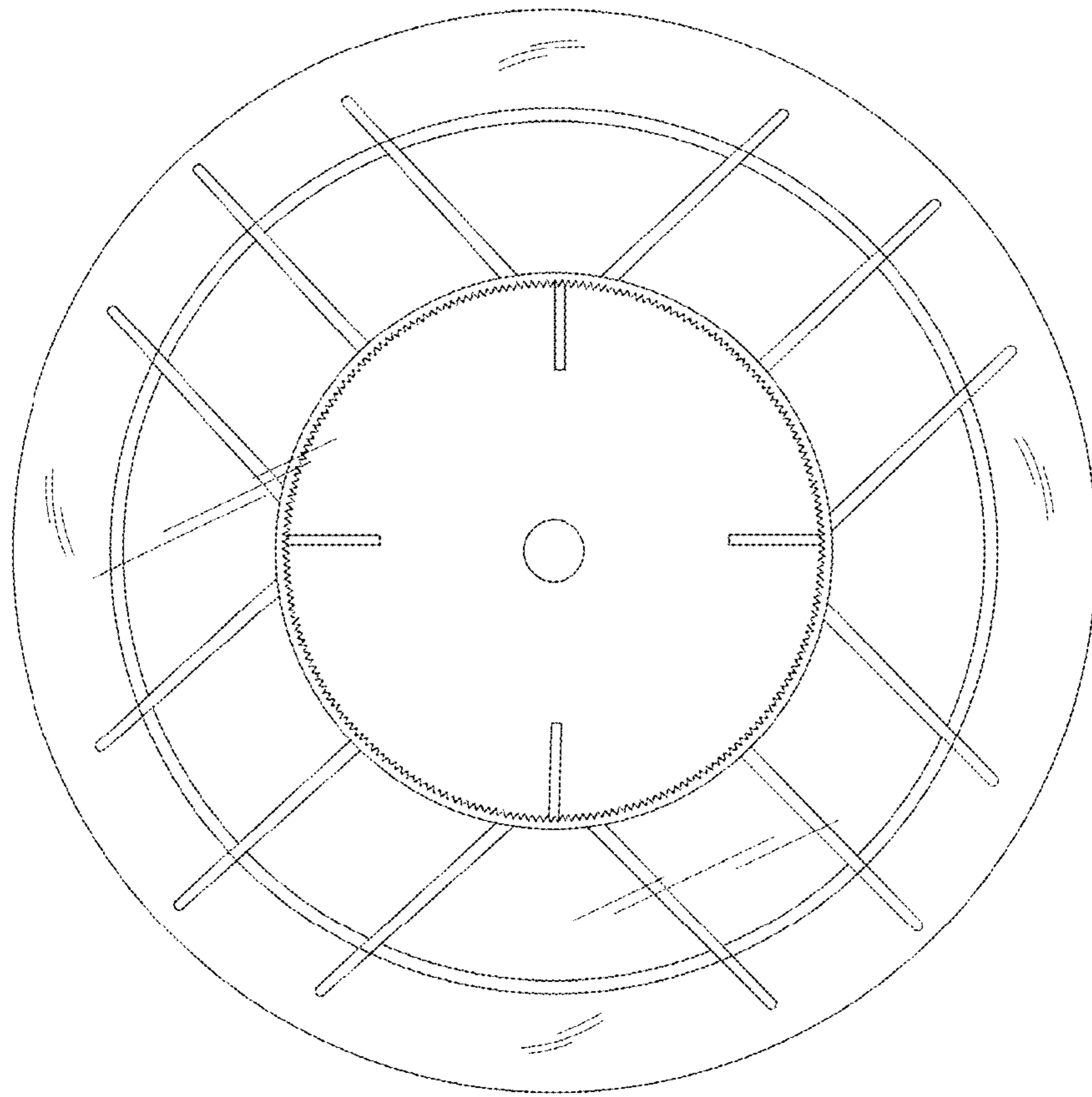


FIG. 2

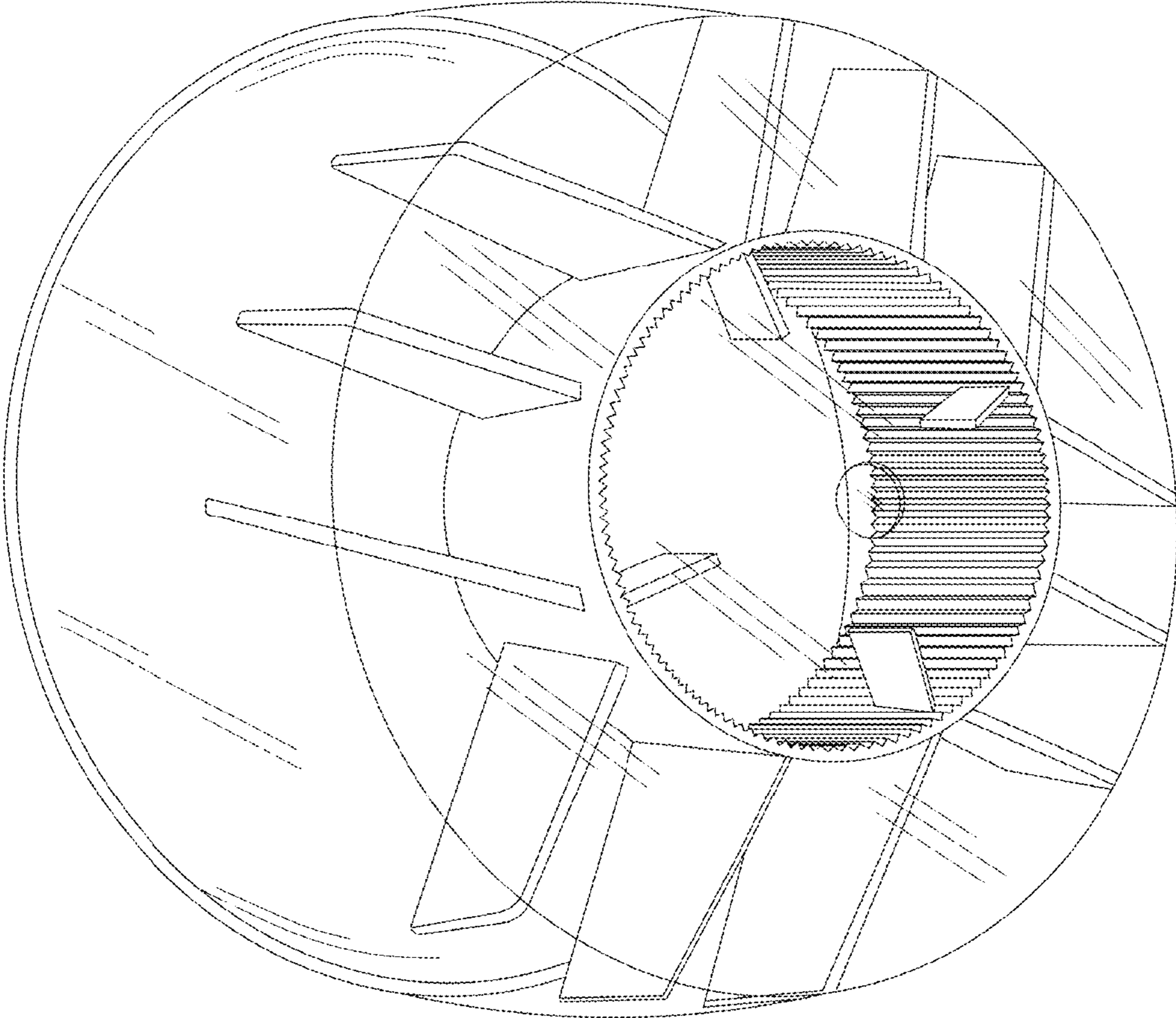


FIG. 3

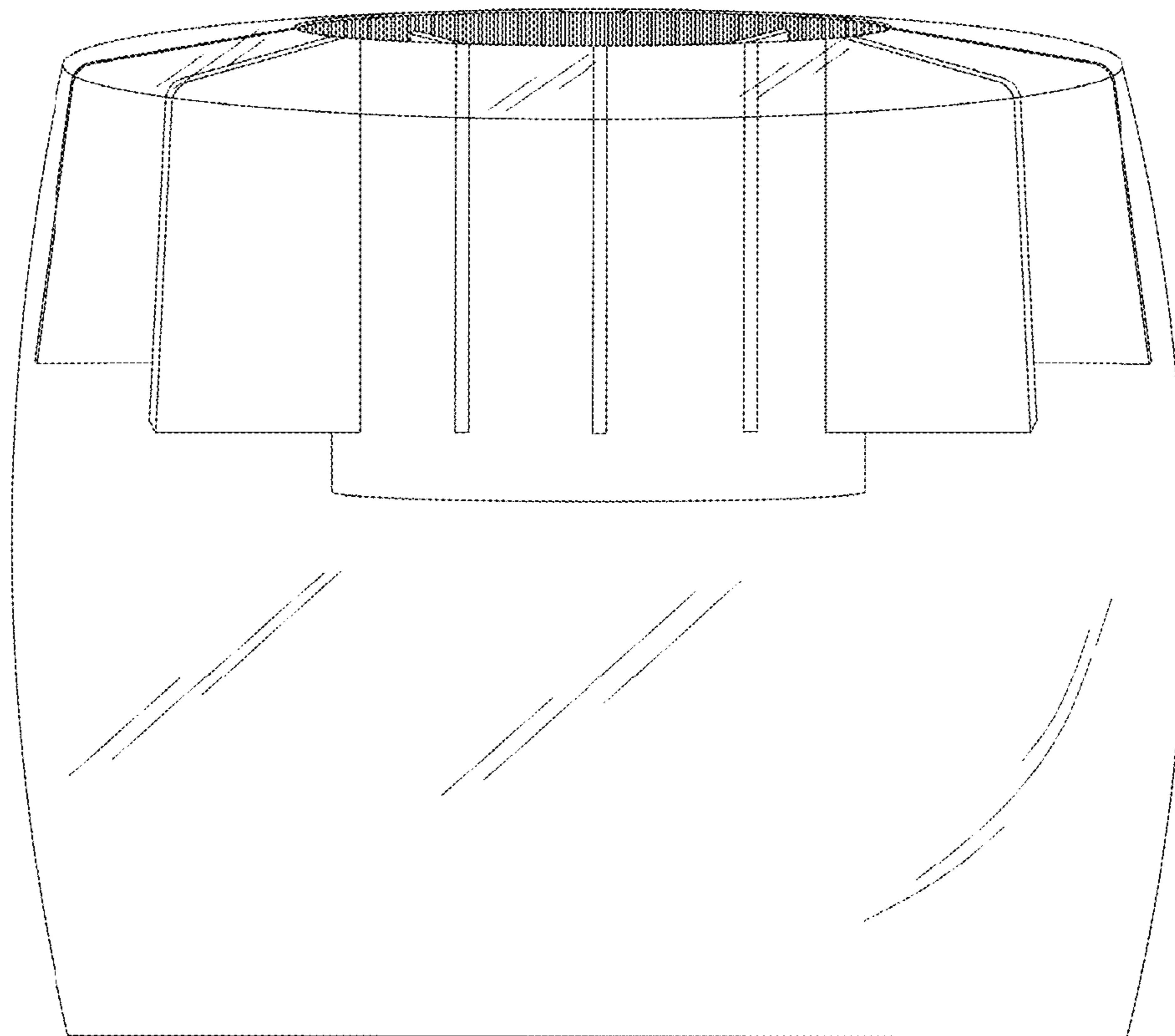


FIG. 4

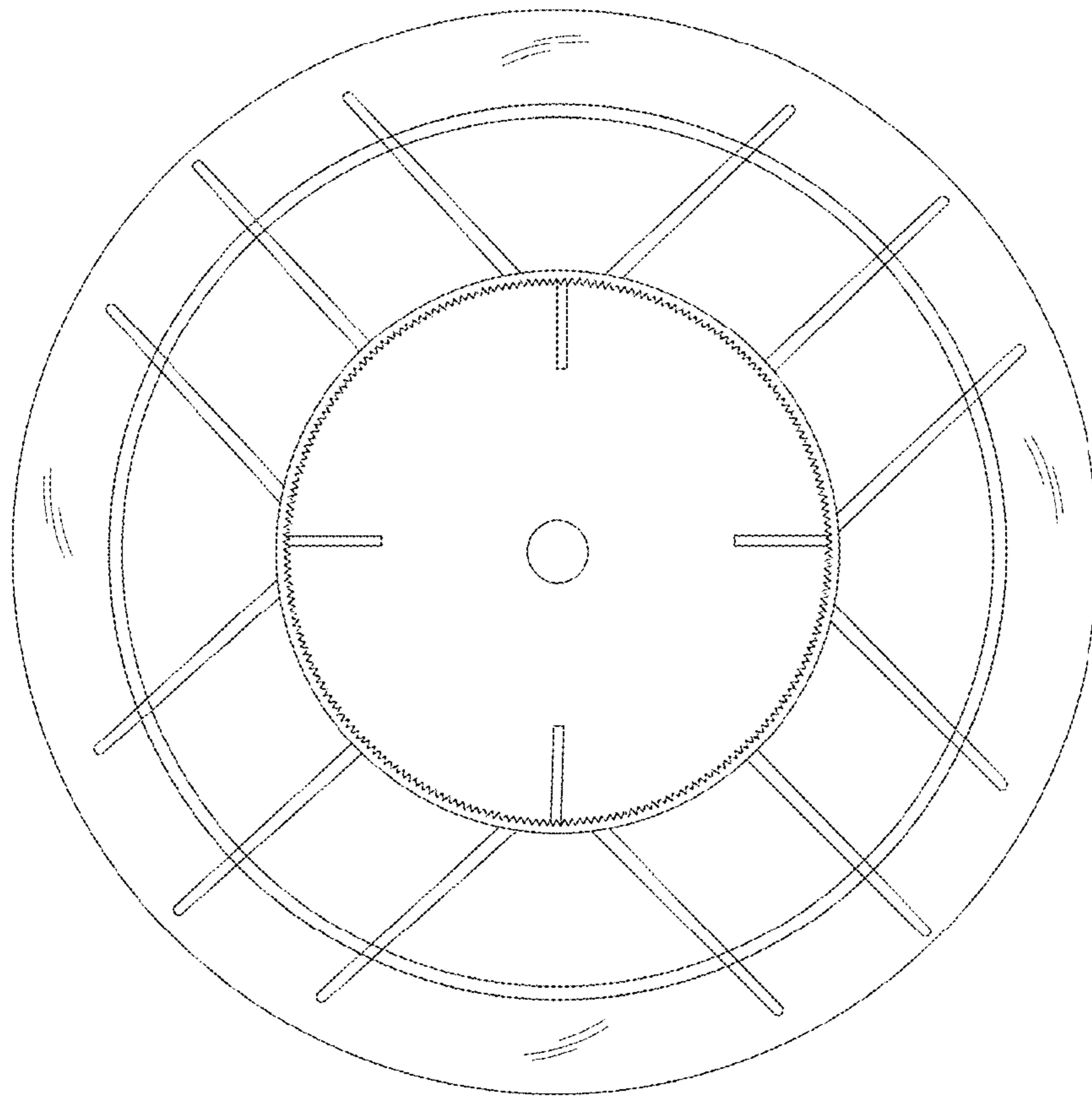


FIG. 5