



US00D945256S

(12) **United States Design Patent**
Kousik et al.

(10) **Patent No.:** **US D945,256 S**
(45) **Date of Patent:** **** Mar. 8, 2022**

(54) **CLIP WITH POST AND FINGER TABS**

D206,896 S * 2/1967 Fieley D11/2
3,797,792 A * 3/1974 Huber A61M 5/1415
248/229.26
3,877,250 A * 4/1975 Musillo A44C 5/2085
63/23

(71) Applicant: **Medline Industries, LP**, Northfield, IL
(US)

(Continued)

(72) Inventors: **Arun Kousik**, Northbrook, IL (US);
Joseph Ritter, Arlington Heights, IL
(US)

FOREIGN PATENT DOCUMENTS

(73) Assignee: **Medline Industries, LP**, Northfield, IL
(US)

CN 305695276 * 4/2020

(**) Term: **15 Years**

OTHER PUBLICATIONS

(21) Appl. No.: **29/714,726**

“Medline Catalog”, Crutch Attachment Platform; Medline Catalog;
<http://www.medline.com/catalog/catalog.jsp>; Unknown Publication
date but believed to be prior to present application filing date.

(Continued)

(22) Filed: **Nov. 25, 2019**

Primary Examiner — John R Yeh

(51) **LOC (13) Cl.** **08-08**

(74) *Attorney, Agent, or Firm* — Philip H. Burrus, IV

(52) **U.S. Cl.**
USPC **D8/396**

(57) **CLAIM**

The ornamental design for a clip with post and finger tabs,
as shown and described.

(58) **Field of Classification Search**
USPC D8/72–73, 367, 394–396; D23/259, 269;
D24/155
CPC H01R 13/639; F16B 45/02; F16B 2/06;
A61F 5/448; F16L 33/06; F16L 37/00;
F16L 23/06

DESCRIPTION

See application file for complete search history.

FIG. 1 is a top, rear, left side perspective view of our new
design for a clip with post and finger tabs;
FIG. 2 is a top, front, left side perspective view thereof;
FIG. 3 is a right side elevation view thereof;
FIG. 4 is a left side elevation view thereof;
FIG. 5 is a top plan view thereof;
FIG. 6 is a bottom plan view thereof;
FIG. 7 is a rear elevation view thereof; and
FIG. 8 is a front elevation view thereof;
FIG. 9 illustrates a rear elevation view of the clip with post
and finger tabs in an environment where coupled to a crutch;
FIG. 10 is a right side elevation thereof; and,
FIG. 11 is a top plan view thereof.

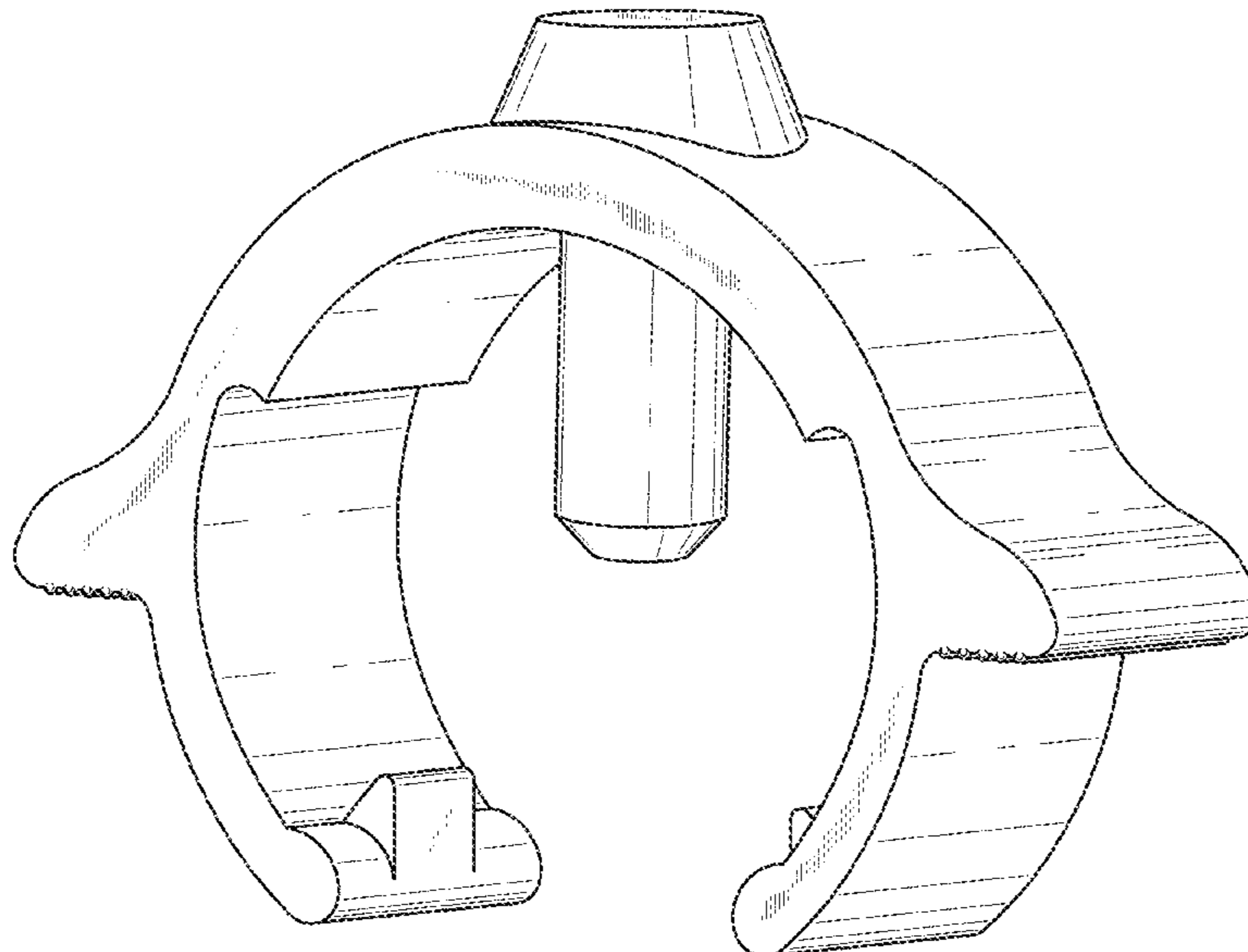
The broken lines in the drawings are included for the
purpose of illustrating use and environment and form no part
of the claimed design.

(56) **References Cited**

U.S. PATENT DOCUMENTS

596,203 A	12/1897	Drake
D31,802 S	11/1899	Gardner et al.
705,741 A	7/1902	Drew
1,296,042 A	3/1919	Bralove
2,239,180 A	4/1941	Kupfer
2,669,244 A	2/1954	Greene
2,793,647 A	5/1957	Urie
3,195,550 A	7/1965	Ingalls
3,269,399 A	8/1966	Smith

1 Claim, 11 Drawing Sheets



(56)

References Cited

U.S. PATENT DOCUMENTS

D269,155 S * 5/1983 Rose D8/356
 4,572,227 A 2/1986 Wheeler
 4,647,241 A 3/1987 Weber
 D291,061 S * 7/1987 Nakatani D8/396
 D295,723 S * 5/1988 Shioda D8/380
 D304,904 S 12/1989 Kercher
 5,101,845 A 4/1992 Kravetz
 5,197,502 A 3/1993 Wang
 D344,449 S * 2/1994 Ward D8/395
 5,291,910 A 3/1994 Bui et al.
 5,299,589 A 4/1994 Zatulovsky
 5,341,829 A 8/1994 Hsiao et al.
 5,381,813 A 1/1995 Miric et al.
 D376,973 S * 12/1996 Brown D8/395
 5,605,170 A 2/1997 Weng
 5,606,985 A 3/1997 Battiston et al.
 5,765,583 A 6/1998 Gamper
 5,791,360 A 8/1998 Battiston et al.
 D409,479 S 5/1999 Beugelsdyk
 D417,612 S * 12/1999 Jones D26/138
 D420,569 S * 2/2000 Evans D8/382
 D423,994 S 5/2000 Helwig
 D425,293 S 5/2000 Maalik
 D425,784 S 5/2000 Beugelsdyk
 6,079,431 A 6/2000 Su
 6,314,977 B1 11/2001 Obitts et al.
 D457,414 S 5/2002 Spångmyr
 6,704,968 B2 3/2004 Lau
 6,802,326 B2 10/2004 Kusama
 D520,352 S * 5/2006 Knight D8/395
 D521,720 S 5/2006 Karasin
 D537,334 S 2/2007 Lee
 7,255,120 B2 8/2007 Garza et al.
 D553,971 S 10/2007 Krueger
 7,434,592 B2 10/2008 Larson et al.
 D595,517 S 7/2009 Fiori
 D617,544 S 6/2010 Okoniewski, Jr.
 D621,680 S 8/2010 Hsu
 D631,403 S 1/2011 Knopf
 7,882,596 B2 2/2011 Hixon
 8,069,869 B1 12/2011 Huang
 D659,517 S 5/2012 McGrath
 D672,229 S 12/2012 Reid
 D688,123 S * 8/2013 Takakuwa D8/396
 D690,191 S * 9/2013 Takakuwa D8/396
 D700,835 S 3/2014 Langlois et al.
 D708,053 S 7/2014 Marini
 8,800,579 B2 8/2014 Severson et al.
 D712,730 S 9/2014 Gridley
 D720,605 S 1/2015 McGrath
 9,050,239 B1 6/2015 Lin
 D739,484 S 9/2015 Kaye
 D745,382 S * 12/2015 Faria D8/396
 D770,162 S 11/2016 Fong
 10,278,886 B2 5/2019 Fong
 D895,775 S * 9/2020 Horning D23/265
 D899,223 S * 10/2020 Landgren D8/354
 2002/0020438 A1 2/2002 Best

2003/0154579 A1* 8/2003 Disher B43M 99/001
 24/462
 2008/0078431 A1 4/2008 Battiston
 2008/0092338 A1 4/2008 Wu
 2011/0240078 A1 10/2011 Lenhart et al.

OTHER PUBLICATIONS

“Medline Catalog”, Crutch Foam Hand Grip; Medline Catalog; <http://www.medline.com/catalog/catalog.jsp>; Unknown Publication date but believed to be prior to present application filing date.
 “Medline Catalog”, Crutch Grip Accessory Kit; Medline Catalog; <http://www.medline.com/catalog/catalog.jsp>; Unknown Publication date but believed to be prior to present application filing date.
 “Medline Catalog”, Crutch Hand Grips (Closed) by Drive/DeVillibiss Health; Medline Catalog; <http://www.medline.com/catalog/catalog.jsp>; Unknown Publication date but believed to be prior to present application filing date.
 “Medline Catalog”, Crutch Hand Grips; Medline Catalog; <http://www.medline.com/catalog/catalog.jsp>; Unknown Publication date but believed to be prior to present application filing date.
 “Medline Catalog”, Crutch-Mate Arm Pad, Forearm Pad & Hand; Medline Catalog; <http://www.medline.com/catalog/catalog.jsp>; Unknown Publication date but believed to be prior to present application filing date.
 “Medline Catalog”, Deluxe Forearm Crutches by Graham-Field; Medline Catalog; <http://www.medline.com/catalog/catalog.jsp>; Unknown Publication date but believed to be prior to present application filing date.
 “Medline Catalog”, Forearm Crutch Cuff; Medline Catalog; <http://www.medline.com/catalog/catalog.jsp>; Unknown Publication date but believed to be prior to present application filing date.
 “Medline Catalog”, Guardian/Red-Dot Crutch Hand Grip; Medline Catalog; <http://www.medline.com/catalog/catalog.jsp>; Unknown Publication date but believed to be prior to present application filing date.
 “Medline Catalog”, Platform Forearm Crutch By Patterson Med; Medline Catalog; <http://www.medline.com/catalog/catalog.jsp>; Unknown Publication date but believed to be prior to present application filing date.
 “Medline Catalog”, Quick-Fit Aluminum Crutches; Medline Catalog; <http://www.medline.com/catalog/catalog.jsp>; Unknown Publication date but believed to be prior to present application filing date.
 “Medline Catalog”, Wooden Crutches by Sammons Preston; Medline Catalog; <http://www.medline.com/catalog/catalog.jsp>; Unknown Publication date but believed to be prior to present application filing date.
 Czyz, Steven , “Notice of Allowance”, U.S. Appl. No. 29/507,103, filed Oct. 23, 2014; dated Mar. 28, 2016.
 Czyz, Steven , “NonFinal OA”, U.S. Appl. No. 29/507,103, filed Oct. 23, 2014; dated Nov. 10, 2015.
 O'Brien, Jeffrey , “Final OA”, U.S. Appl. No. 14/522,438, filed Oct. 23, 2014; dated Apr. 29, 2016.
 O'Brien, Jeffrey , “NonFinal OA”, U.S. Appl. No. 14/522,438, filed Oct. 23, 2014; dated Jan. 5, 2016.

* cited by examiner

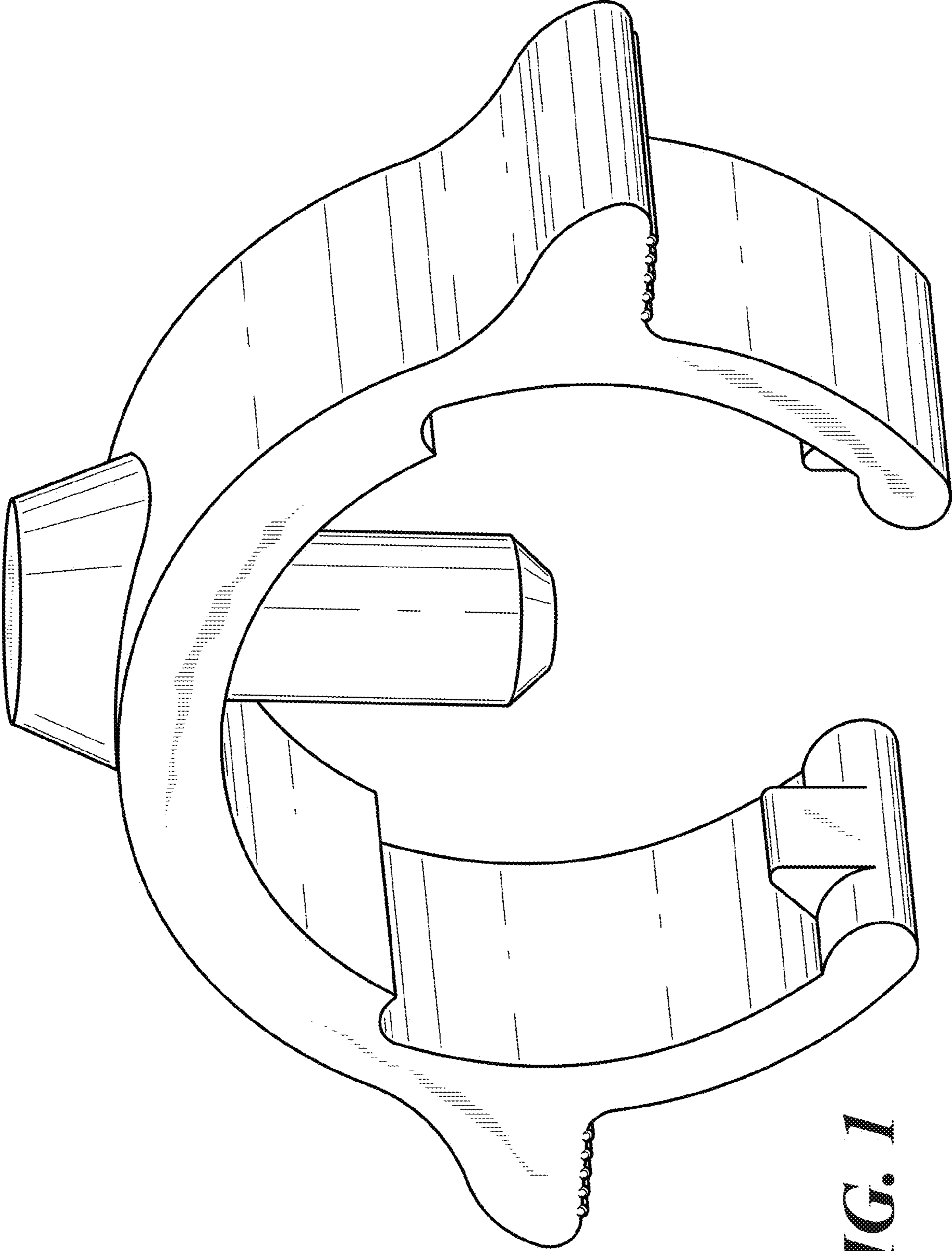


FIG. 1

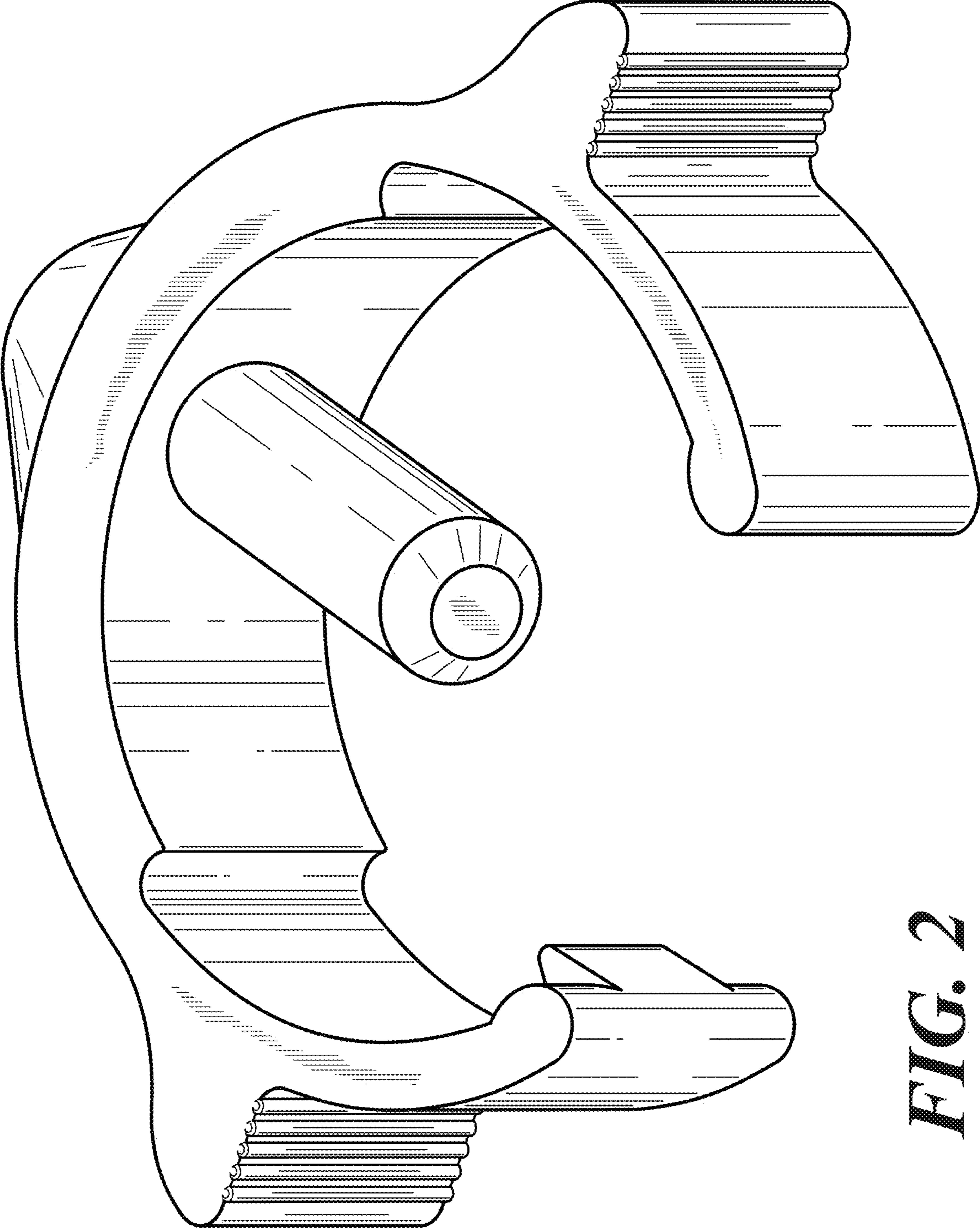


FIG. 2

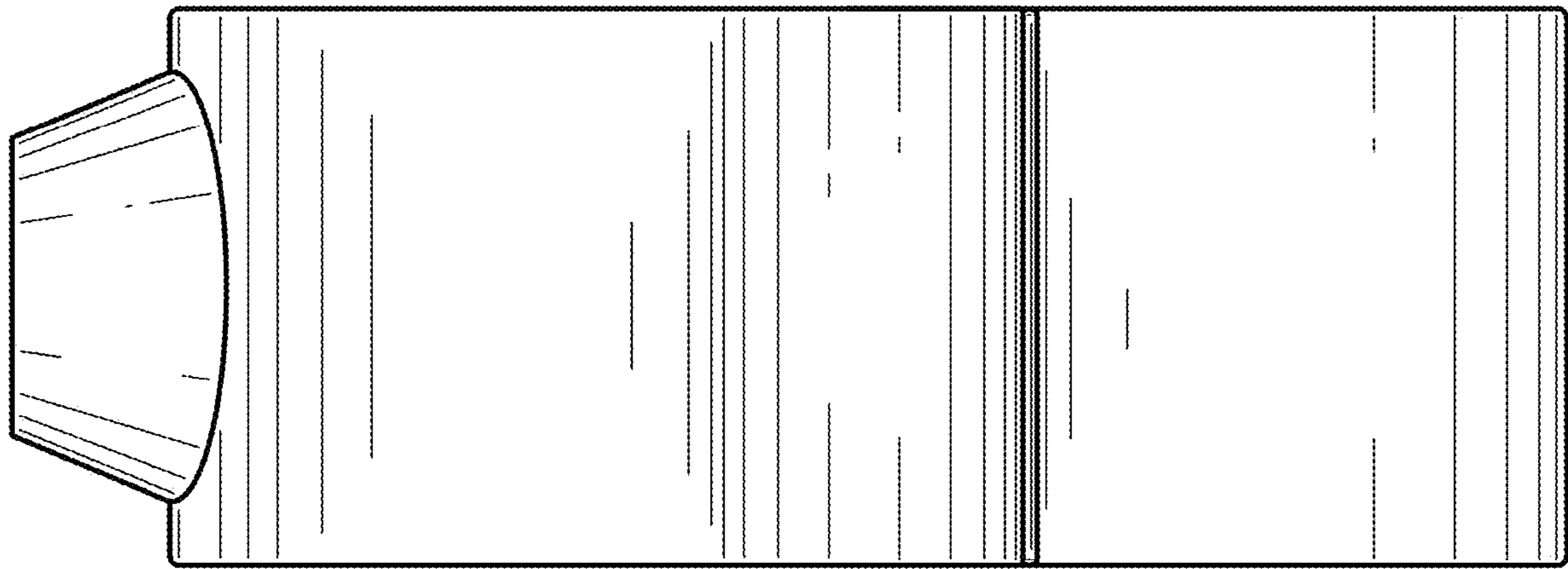


FIG. 3

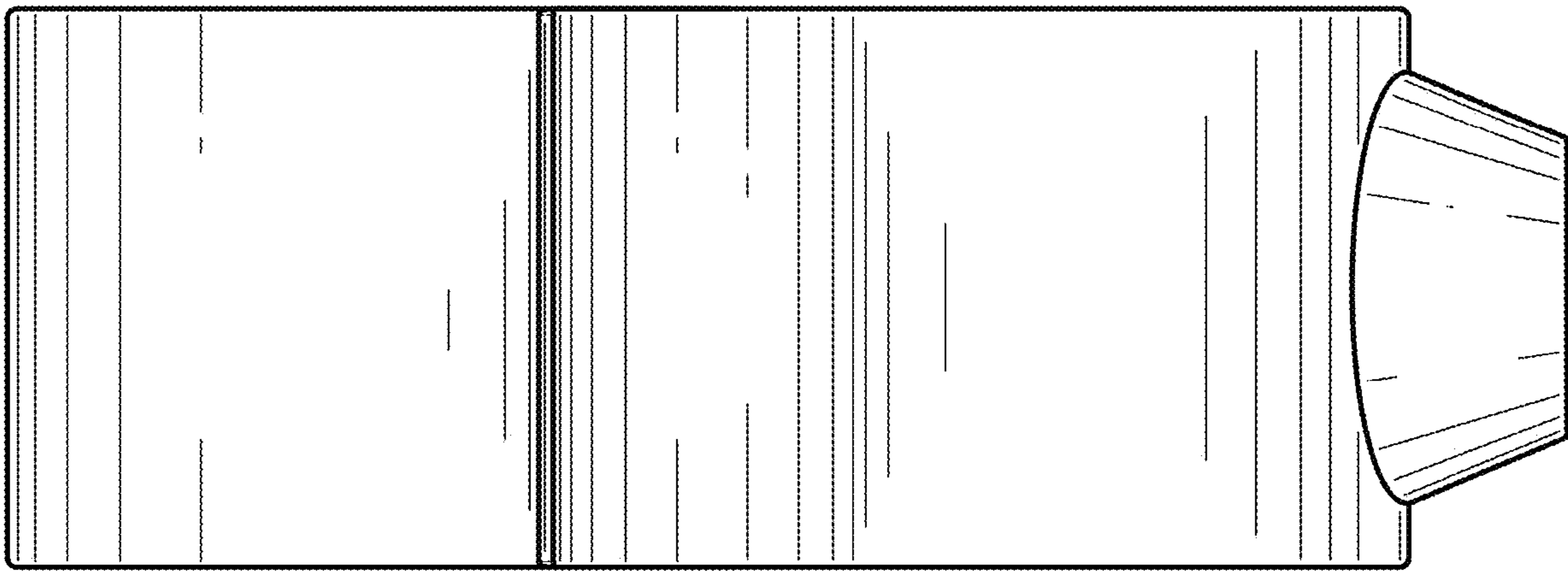


FIG. 4

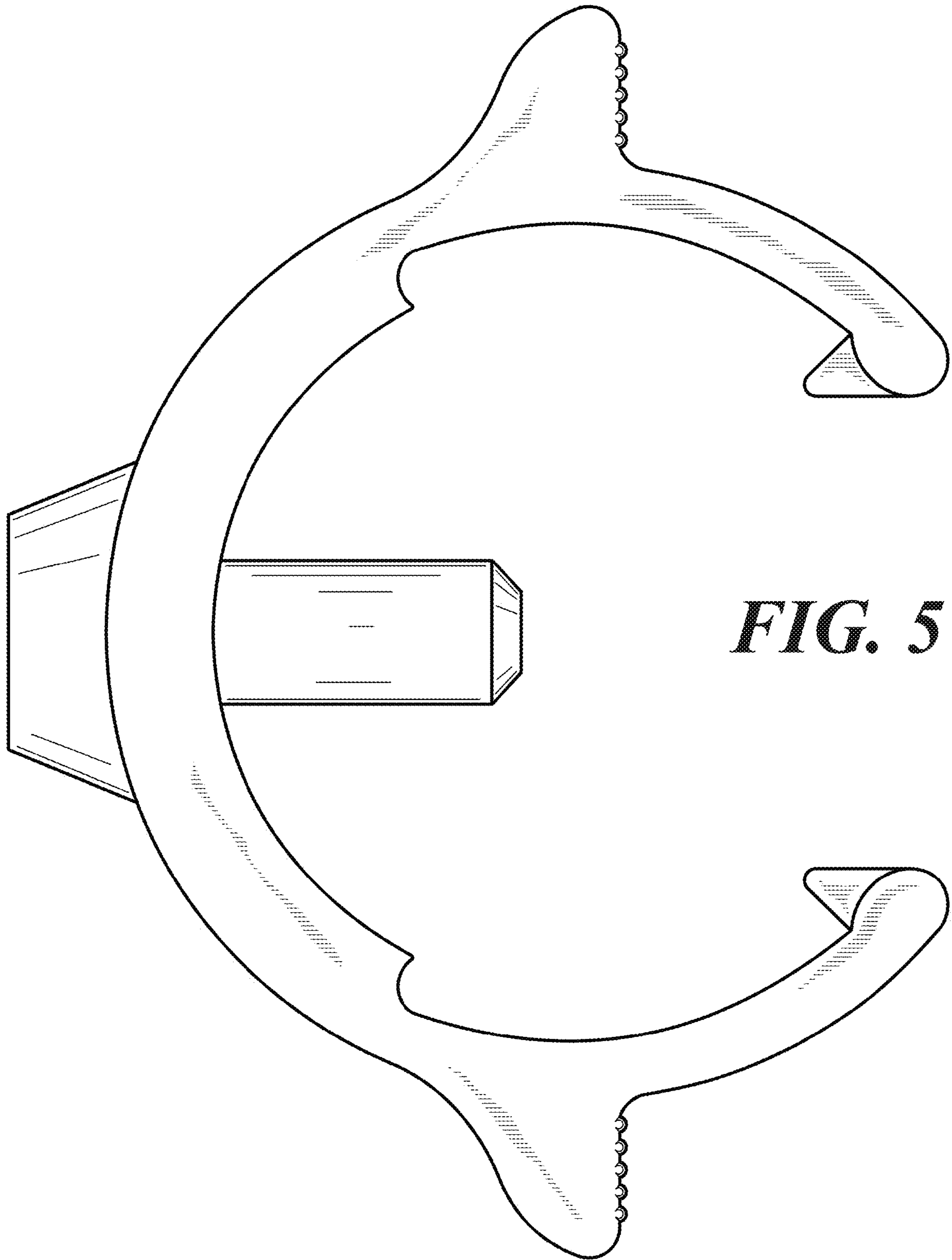


FIG. 5

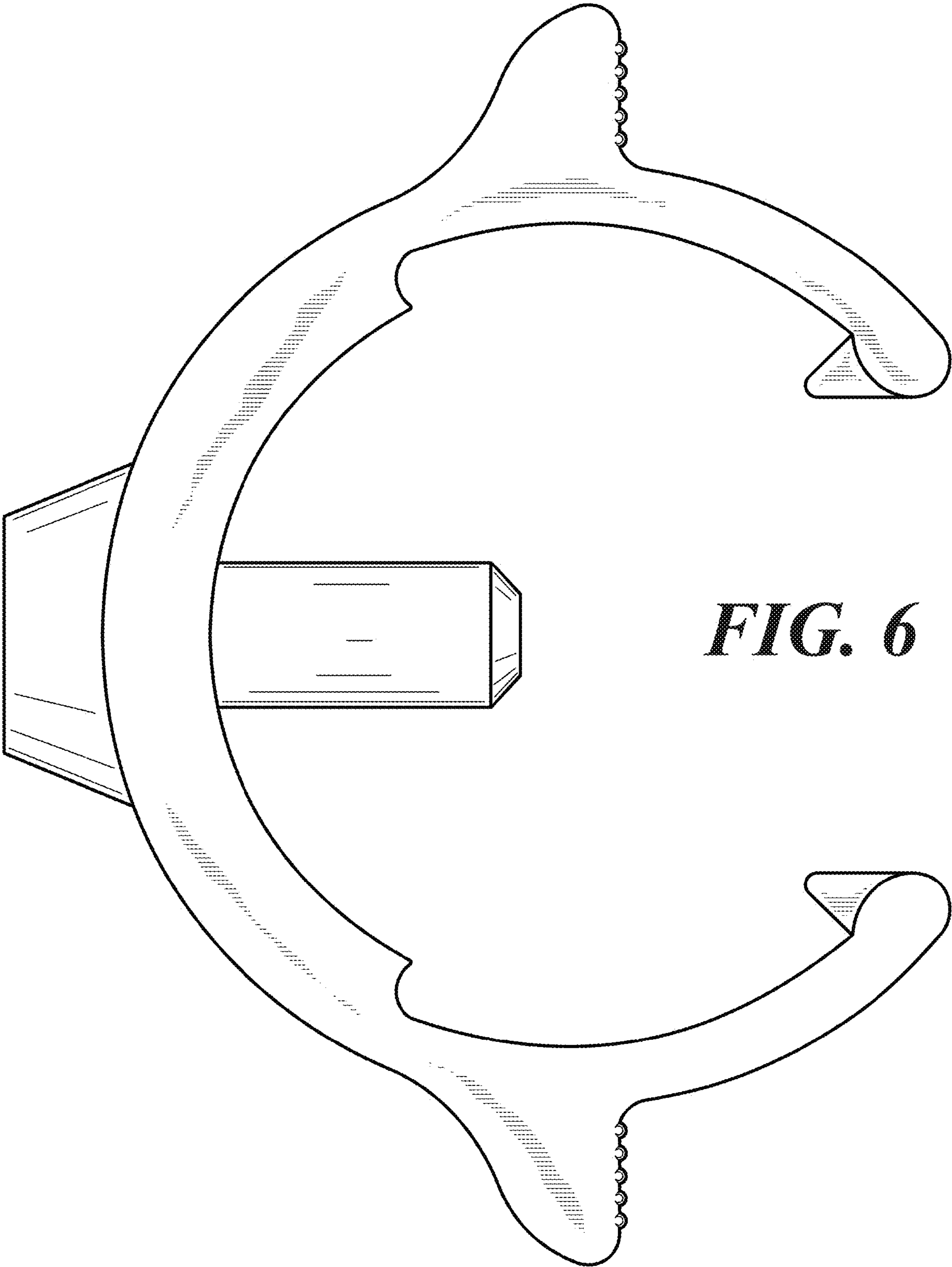


FIG. 6

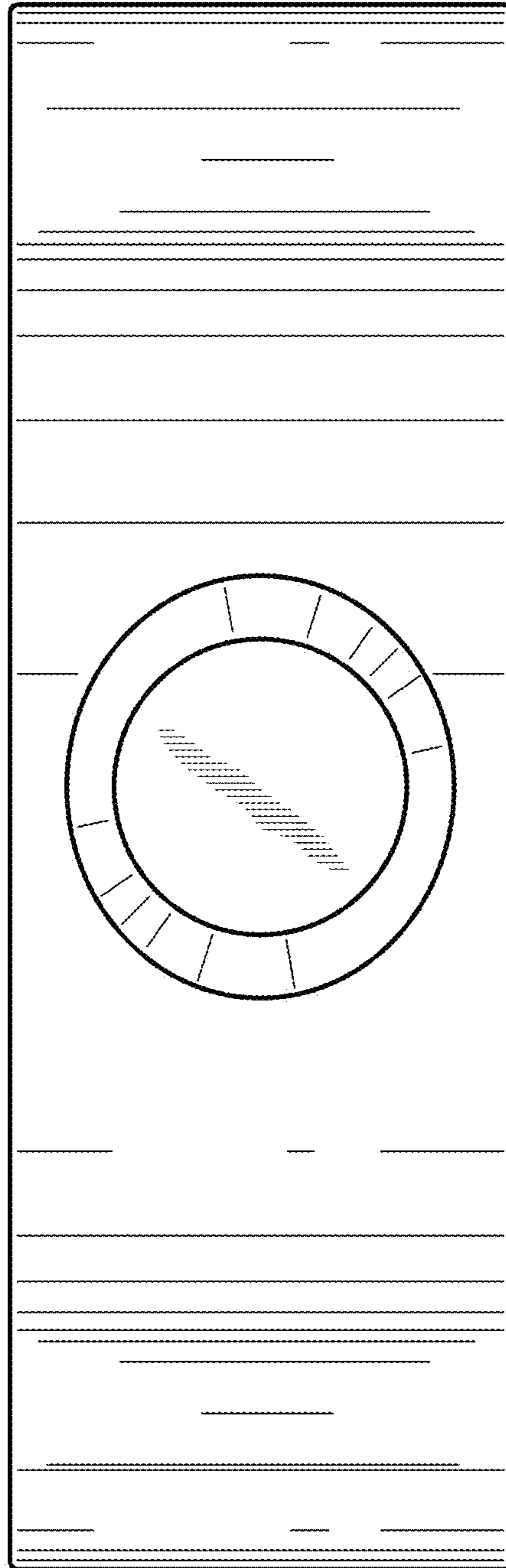


FIG. 7

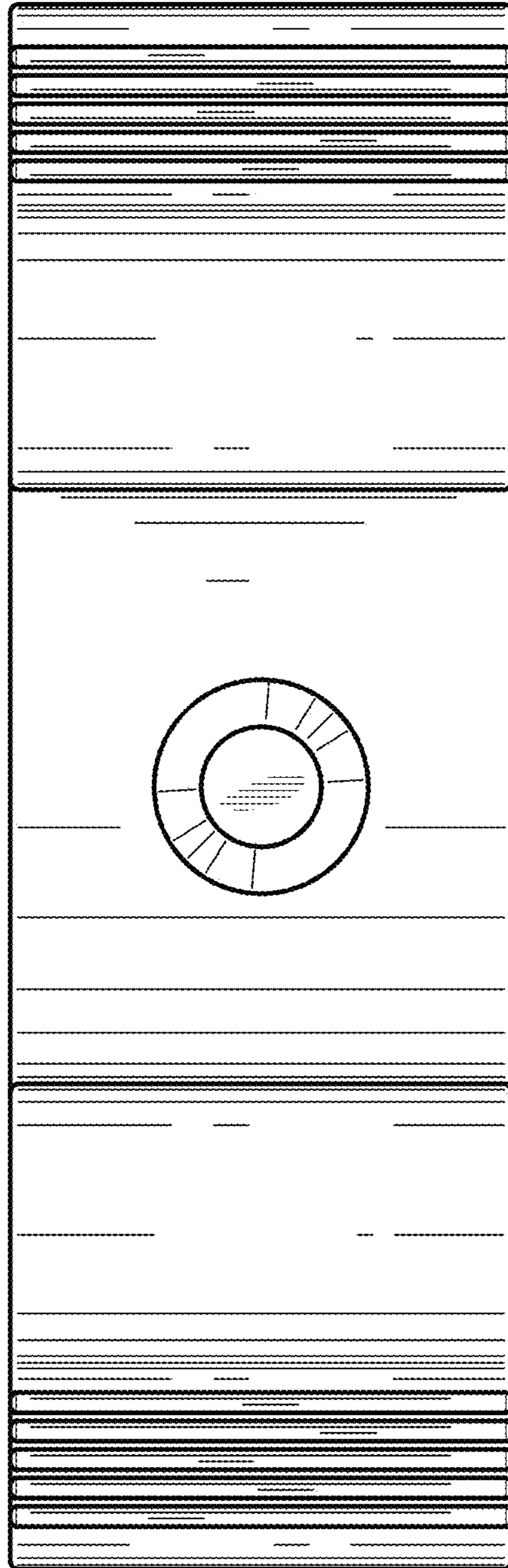


FIG. 8

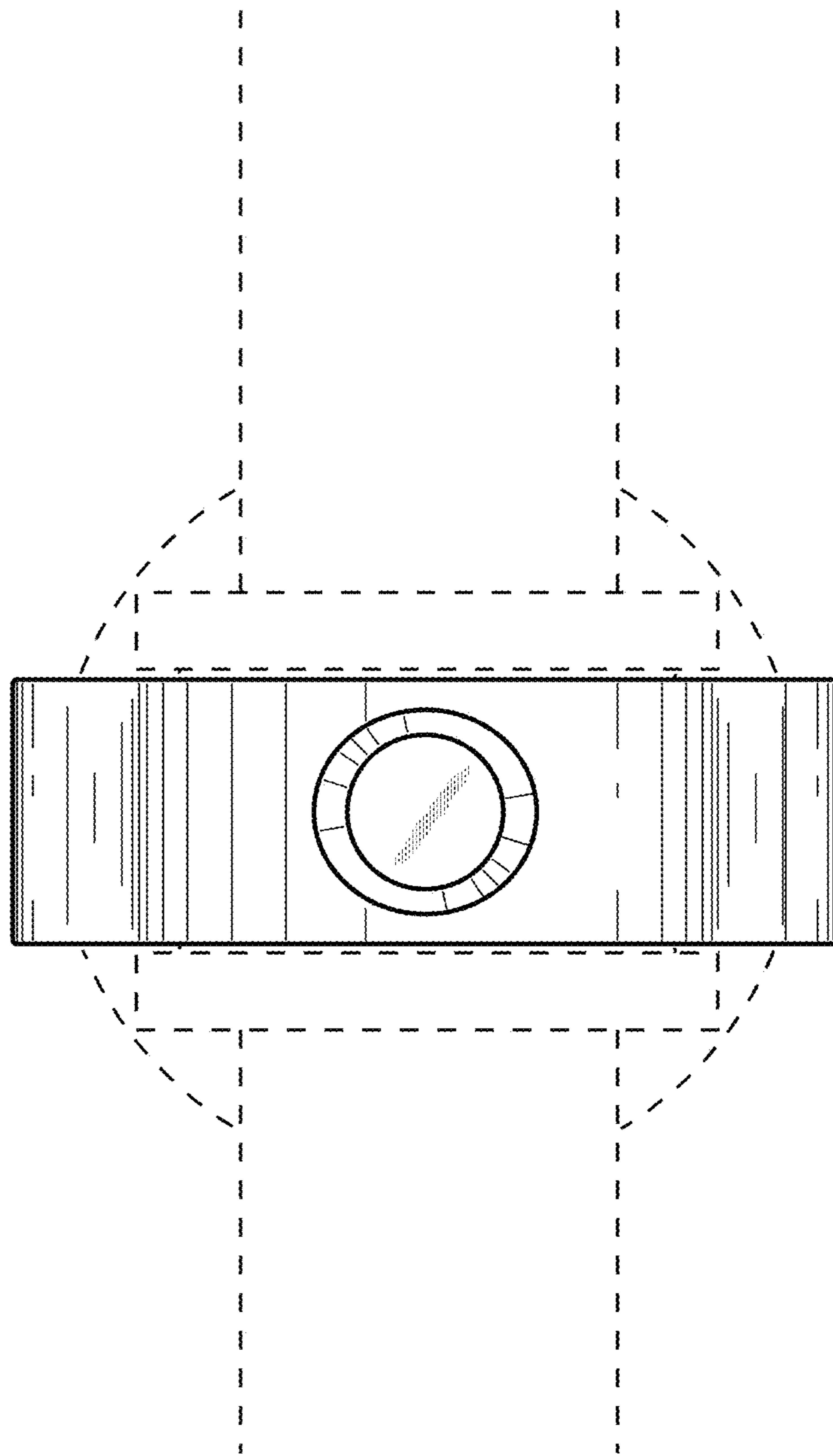


FIG. 9

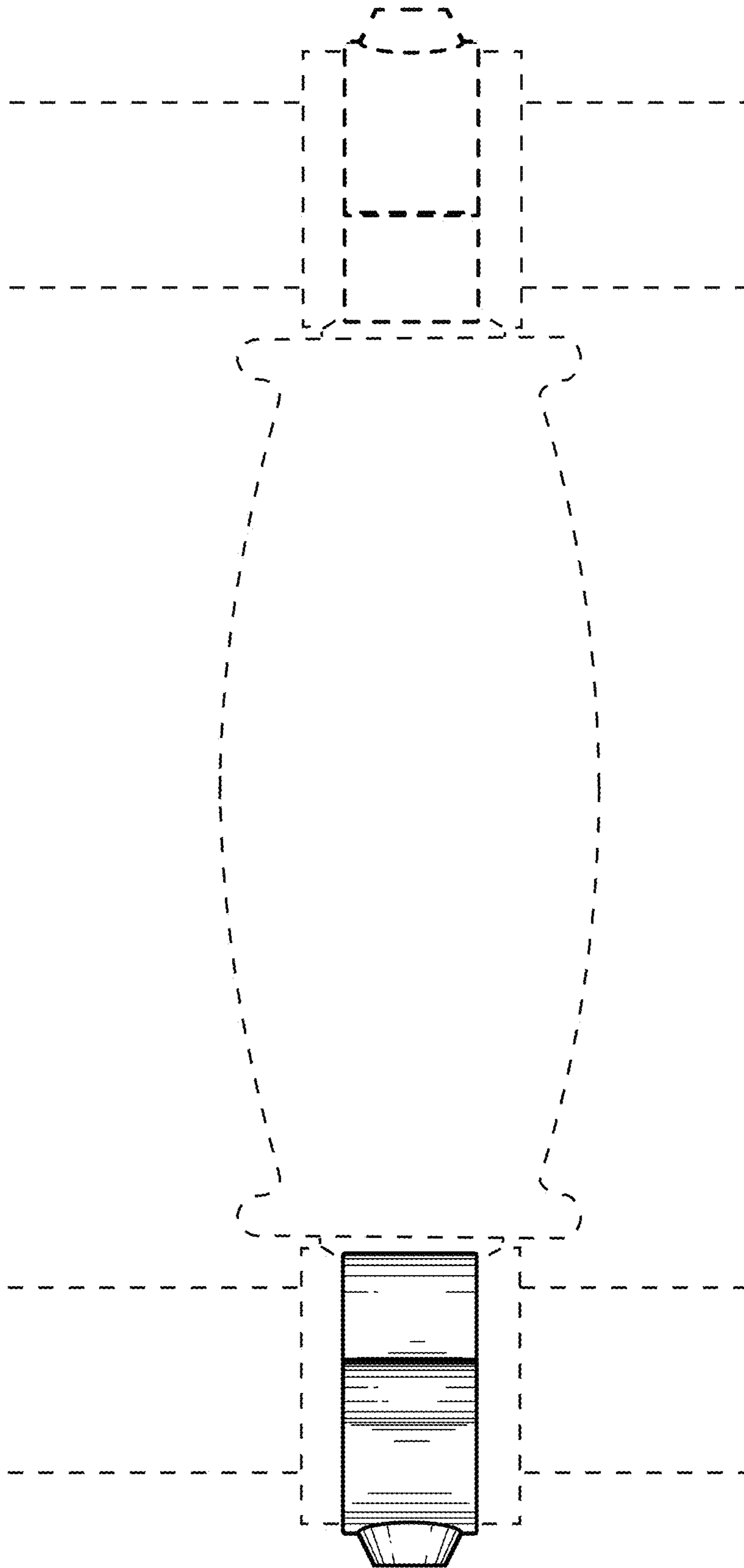


FIG. 10

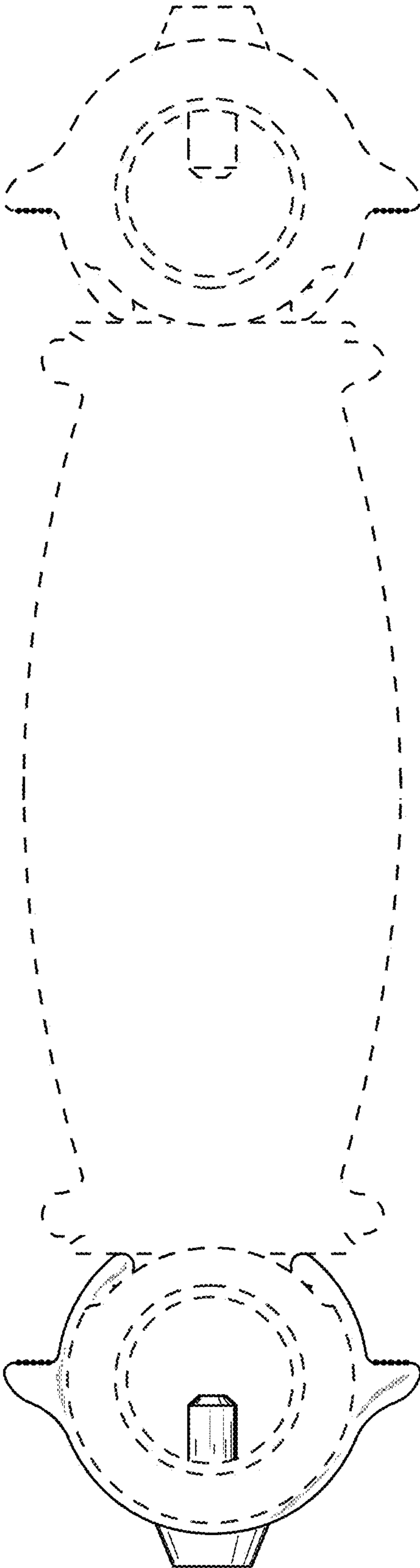


FIG. 11