



US00D945255S

(12) **United States Design Patent**  
**McElveen, II et al.**

(10) **Patent No.:** **US D945,255 S**  
(45) **Date of Patent:** **\*\* Mar. 8, 2022**

(54) **UNIVERSAL CONDUIT STRAP**

(71) Applicant: **Halex/Scott Fetzer Company,**  
Harrison, OH (US)

(72) Inventors: **David Vaughn McElveen, II,**  
Cincinnati, OH (US); **Daniel Felipe Restrepo,**  
Cincinnati, OH (US); **Kyle James Roepken,**  
Centerville, OH (US)

(73) Assignee: **Halex/Scott Fetzer Company,**  
Harrison, OH (US)

(\*\*) Term: **15 Years**

(21) Appl. No.: **29/712,116**

(22) Filed: **Nov. 5, 2019**

(51) **LOC (13) Cl.** ..... **08-08**

(52) **U.S. Cl.**  
USPC ..... **D8/396**

(58) **Field of Classification Search**  
USPC ..... D8/72-73, 367, 394-396; D23/259, 269;  
D24/155  
CPC ..... H01R 13/639; F16B 45/02; F16B 2/06;  
A61F 5/448; F16L 33/06; F16L 37/00;  
F16L 23/06; F16L 3/00  
See application file for complete search history.

(56) **References Cited**

**U.S. PATENT DOCUMENTS**

1,476,836 A 12/1923 Pleister  
1,595,728 A \* 8/1926 Pleister ..... F16L 3/23  
248/69

(Continued)

**FOREIGN PATENT DOCUMENTS**

CN 3662137 \* 6/2007  
WO 2010082818 7/2010

**OTHER PUBLICATIONS**

OBO Fastening clips, OBO website 2021, site visited Jul. 31, 2021,  
obo.global/products/industrial-installations/installation-and-  
fasteningclips/fastening-clips.\*

*Primary Examiner* — John R Yeh

(74) *Attorney, Agent, or Firm* — Fitch, Even, Tabin &  
Flannery, LLP

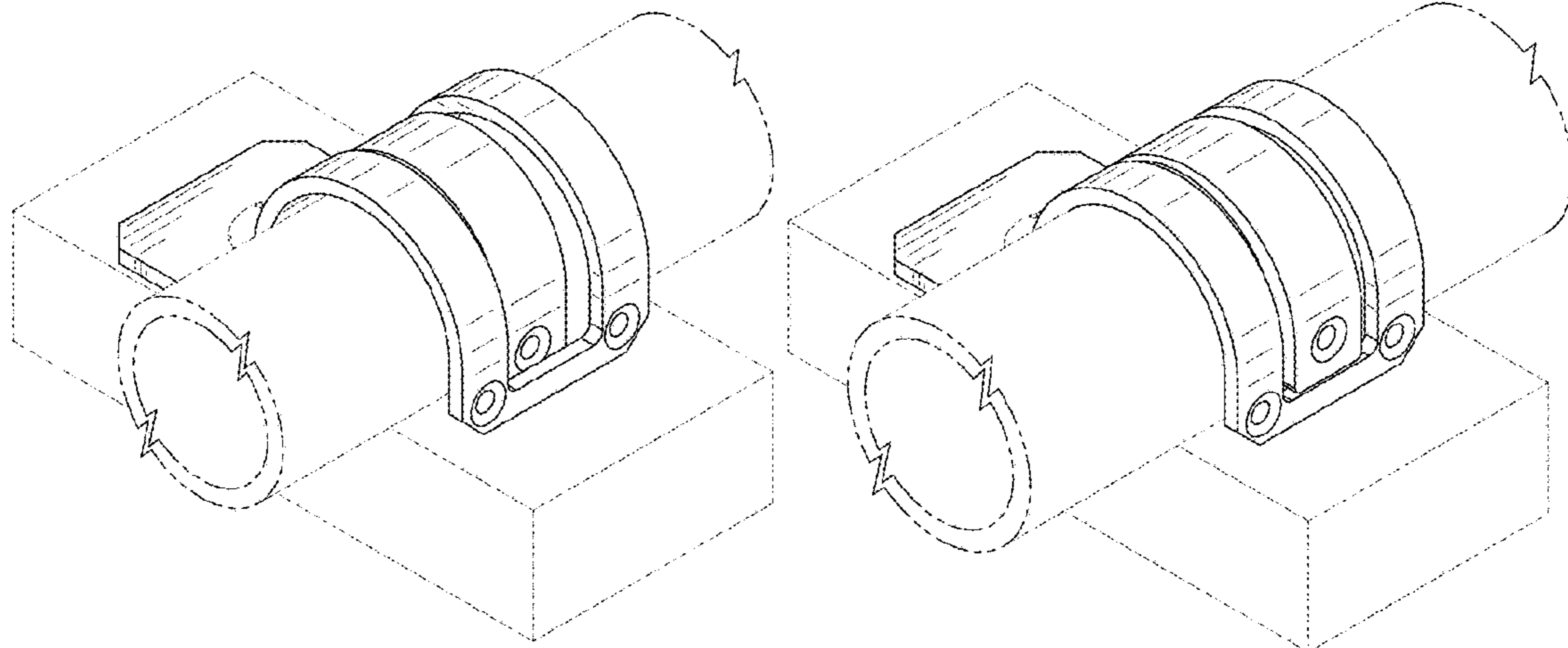
(57) **CLAIM**

We claim the ornamental design for a universal conduit strap, as shown and described.

**DESCRIPTION**

FIG. 1 is a top, rear perspective view of a universal conduit strap in accordance with our new design. The design illustrates a rigid arm with a fastener opening, a retention portion having a split-arm configuration, the split arm comprising a flexible arm capable of accommodating multiple diameters of conduit, and two rigid retention arms. The design is shown in an unflexed biased position;  
FIG. 2 is a left-side elevation view thereof;  
FIG. 3 is a right-side elevation view thereof;  
FIG. 4 is a top plan view thereof;  
FIG. 5 is a bottom plan view thereof;  
FIG. 6 is a front elevation view thereof;  
FIG. 7 is a rear elevation view thereof;  
FIG. 8 is a bottom, front perspective view thereof;  
FIG. 9 is a top, rear perspective of the universal conduit strap illustrating the strap securing a first smaller sized conduit, (e.g. smaller diameter conduit) to a work surface. The flexible arm is biased inward in the unflexed position when retaining the smaller conduit;  
FIG. 10 is a right side elevation view thereof;  
FIG. 11 is a top, rear perspective of the universal conduit strap illustrating the flexible arm biased outwards in a flexed position for retaining a larger conduit; and,  
FIG. 12 is a right side elevation view thereof.  
The broken lines in the drawings depict environment of the universal conduit strap that form no part of the claimed design.

**1 Claim, 7 Drawing Sheets**



(56)

References Cited

U.S. PATENT DOCUMENTS

2,310,434 A 2/1943 Hyman  
 2,550,001 A 4/1951 Button  
 2,681,196 A 6/1954 Lind  
 2,723,432 A \* 11/1955 Flora ..... F16B 5/0685  
 248/73  
 2,961,211 A 11/1960 Emery  
 3,016,220 A 1/1962 Rose  
 3,185,420 A 5/1965 Stewart  
 3,232,569 A 2/1966 Deardorf  
 3,243,151 A 3/1966 Varney  
 3,430,905 A 3/1969 Pepe  
 3,802,655 A 4/1974 Schuplin  
 4,141,107 A 2/1979 Sheiman  
 4,370,082 A 1/1983 Sundberg  
 D274,034 S \* 5/1984 Lacina ..... D8/72  
 D291,061 S \* 7/1987 Nakatani ..... D8/396  
 D302,655 S \* 8/1989 Sachs ..... D8/396  
 D332,220 S \* 1/1993 Specht ..... D11/218  
 5,524,327 A \* 6/1996 Mickel ..... F16L 3/00  
 24/115 A  
 5,669,589 A 9/1997 Janssen  
 5,897,082 A 4/1999 Losada  
 6,010,100 A 1/2000 Merritt  
 D477,770 S \* 7/2003 Baker ..... D8/373  
 D487,482 S \* 3/2004 Disher ..... D19/65  
 D574,228 S \* 8/2008 Johansson ..... D8/396  
 7,559,512 B1 7/2009 Digirolamo  
 D608,190 S \* 1/2010 Jimenez ..... D8/395  
 7,770,851 B2 8/2010 Michaud  
 D644,613 S 9/2011 Kiely

8,033,512 B2 10/2011 Lien  
 D647,788 S \* 11/2011 Weaver ..... D8/396  
 8,413,933 B2 4/2013 Benne  
 8,882,059 B2 11/2014 Schmidt  
 D723,363 S \* 3/2015 Symons ..... D8/396  
 D742,213 S 11/2015 Sasanecki  
 D763,063 S \* 8/2016 Welch ..... D8/356  
 D767,555 S \* 9/2016 Lee ..... D14/253  
 D775,278 S \* 12/2016 Lau ..... D19/65  
 D798,136 S \* 9/2017 Pittman ..... D8/382  
 D805,888 S \* 12/2017 De Los Santos ..... D8/396  
 D819,434 S \* 6/2018 Sonneman ..... D8/394  
 D830,149 S \* 10/2018 Pippus ..... D8/71  
 10,125,897 B2 11/2018 Schmidt  
 D836,428 S \* 12/2018 Pittman ..... D8/382  
 D867,120 S \* 11/2019 Moreau ..... D8/394  
 D877,485 S \* 3/2020 Rampersaud ..... D3/10  
 D891,371 S \* 7/2020 Chen ..... D13/119  
 10,749,296 B2 \* 8/2020 Pearman ..... H02G 15/113  
 D895,775 S \* 9/2020 Horning ..... D23/265  
 D897,828 S \* 10/2020 Lin ..... D8/396  
 D901,285 S \* 11/2020 Nguyen ..... D8/394  
 D929,215 S \* 8/2021 Sutliff, II ..... D8/394  
 D929,216 S \* 8/2021 Sutliff, II ..... D8/394  
 2004/0206856 A1 10/2004 Cordero  
 2010/0260573 A1 10/2010 Gardner  
 2012/0214328 A1 \* 8/2012 Downing ..... F16L 3/1091  
 439/345  
 2012/0252258 A1 \* 10/2012 Solon ..... H01R 13/639  
 439/445  
 2014/0130245 A1 \* 5/2014 McFarlane ..... A47K 13/10  
 4/246.2

\* cited by examiner

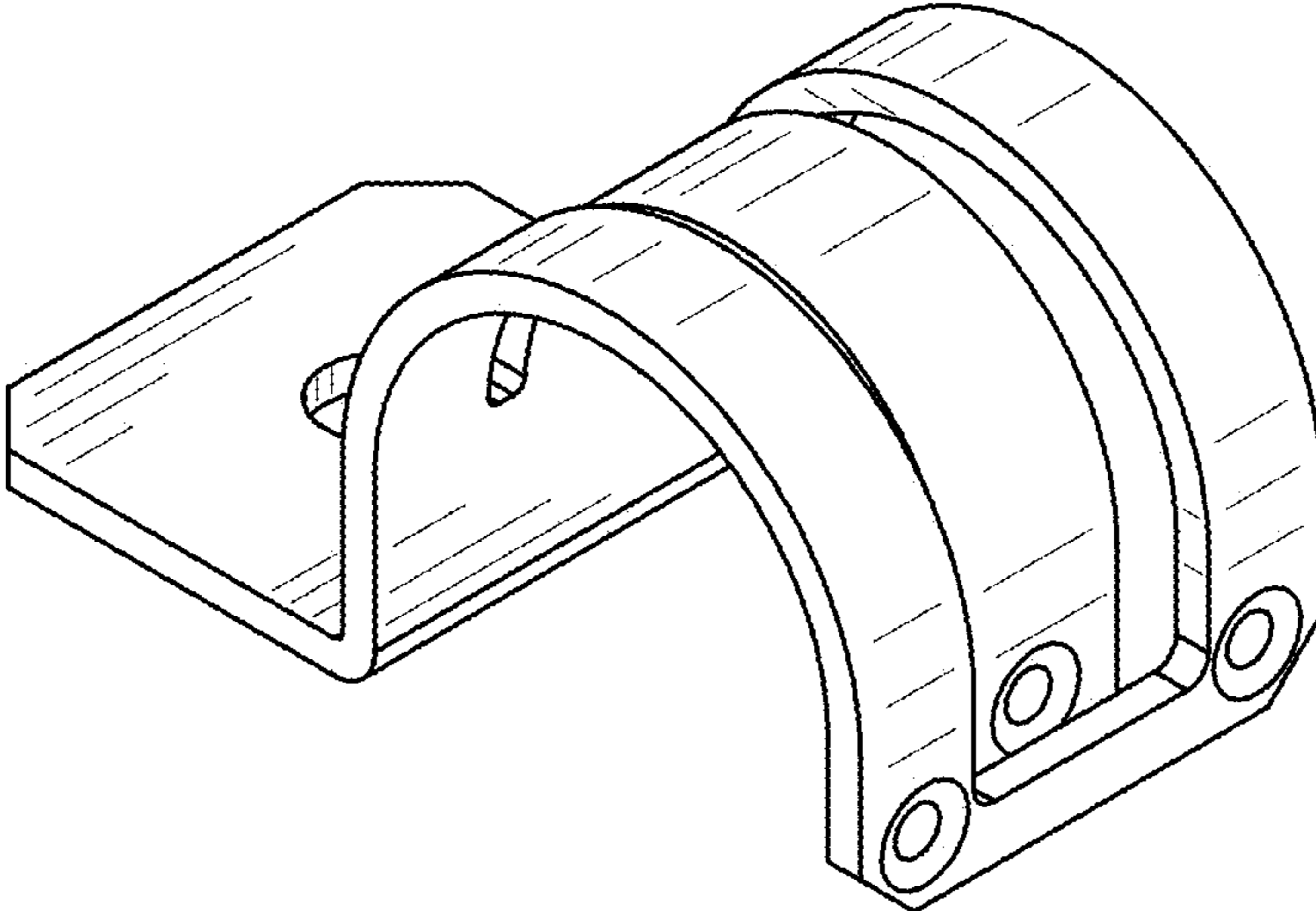


FIG. 1

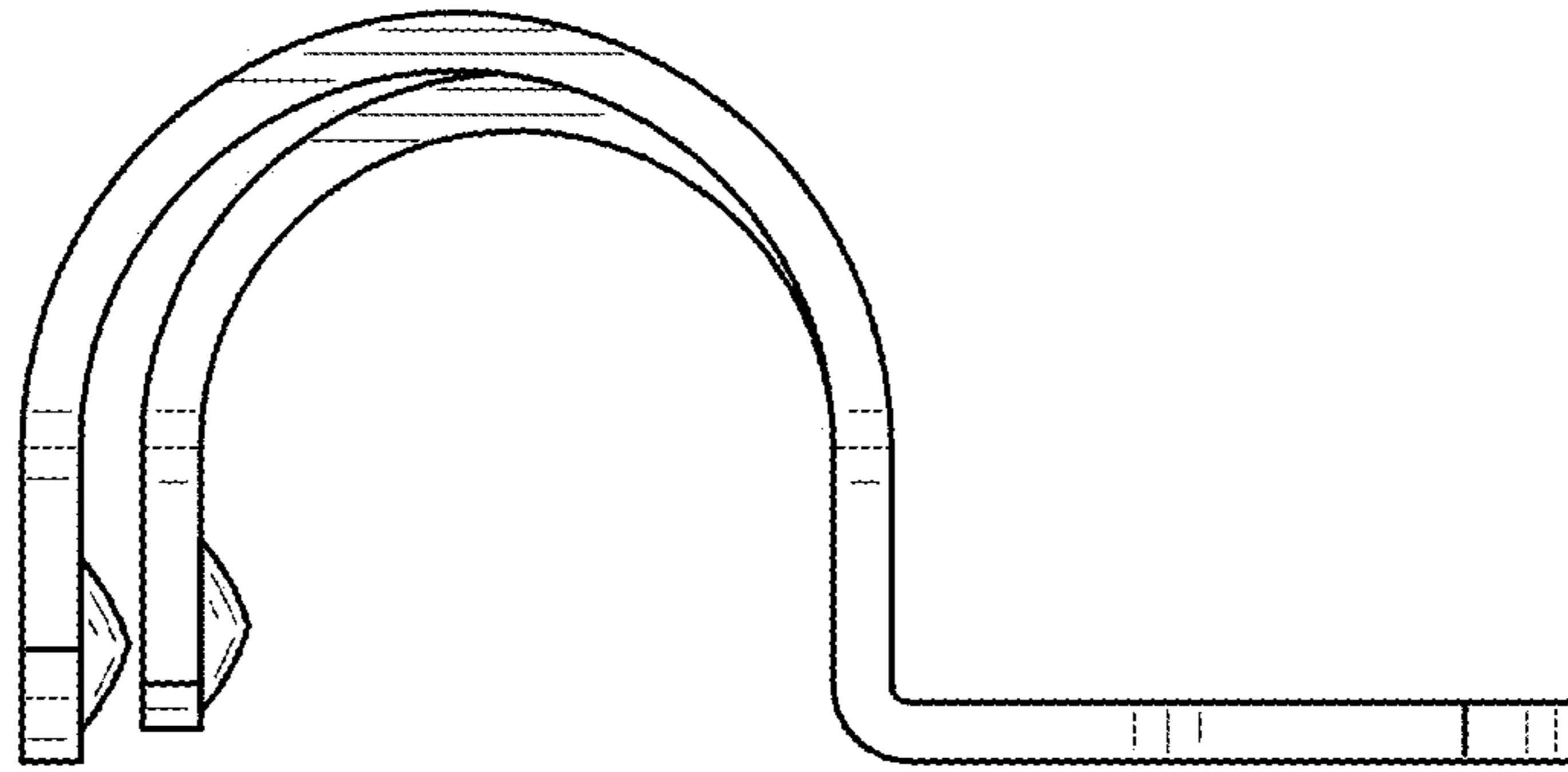


FIG. 2

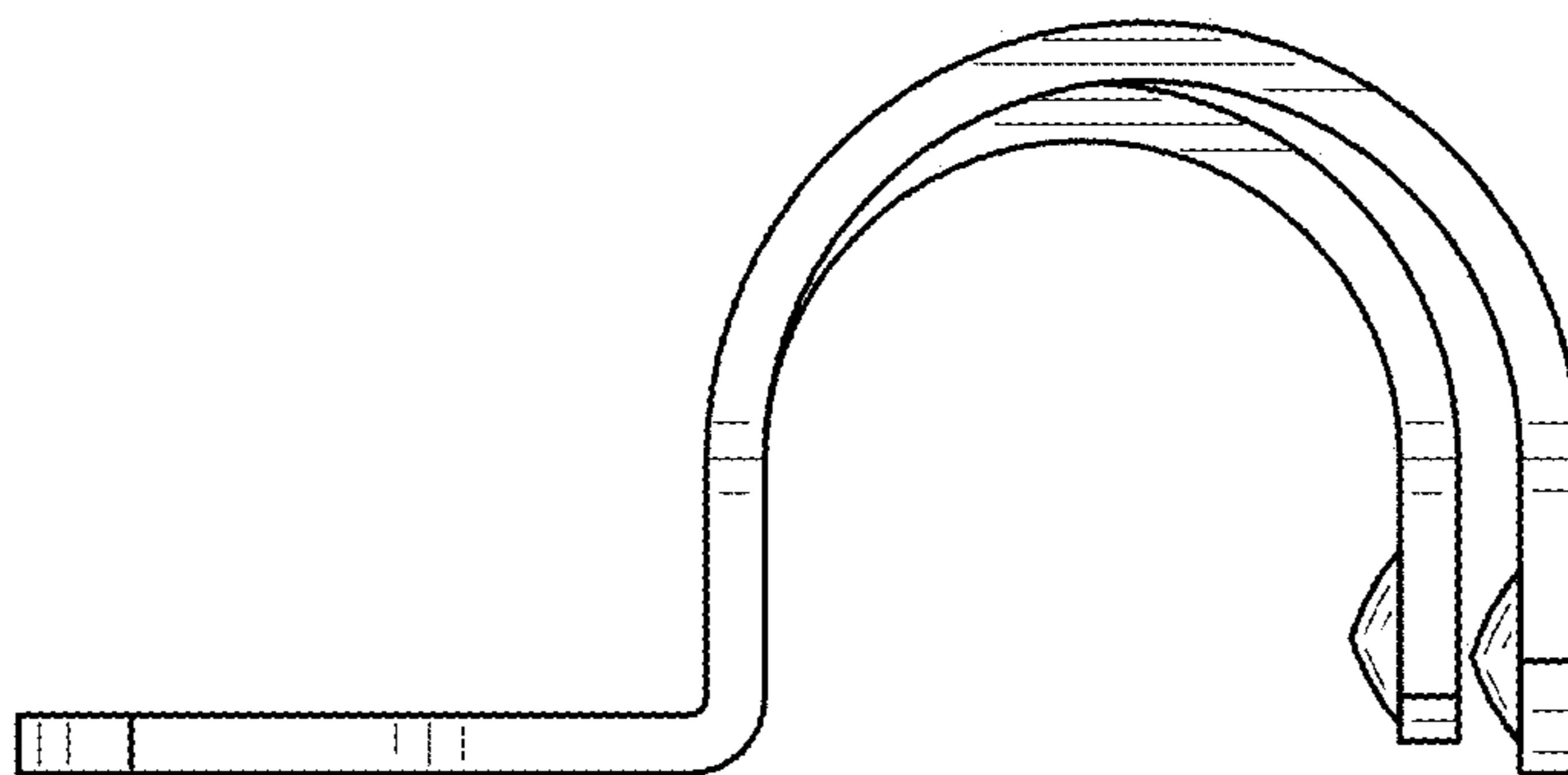


FIG. 3

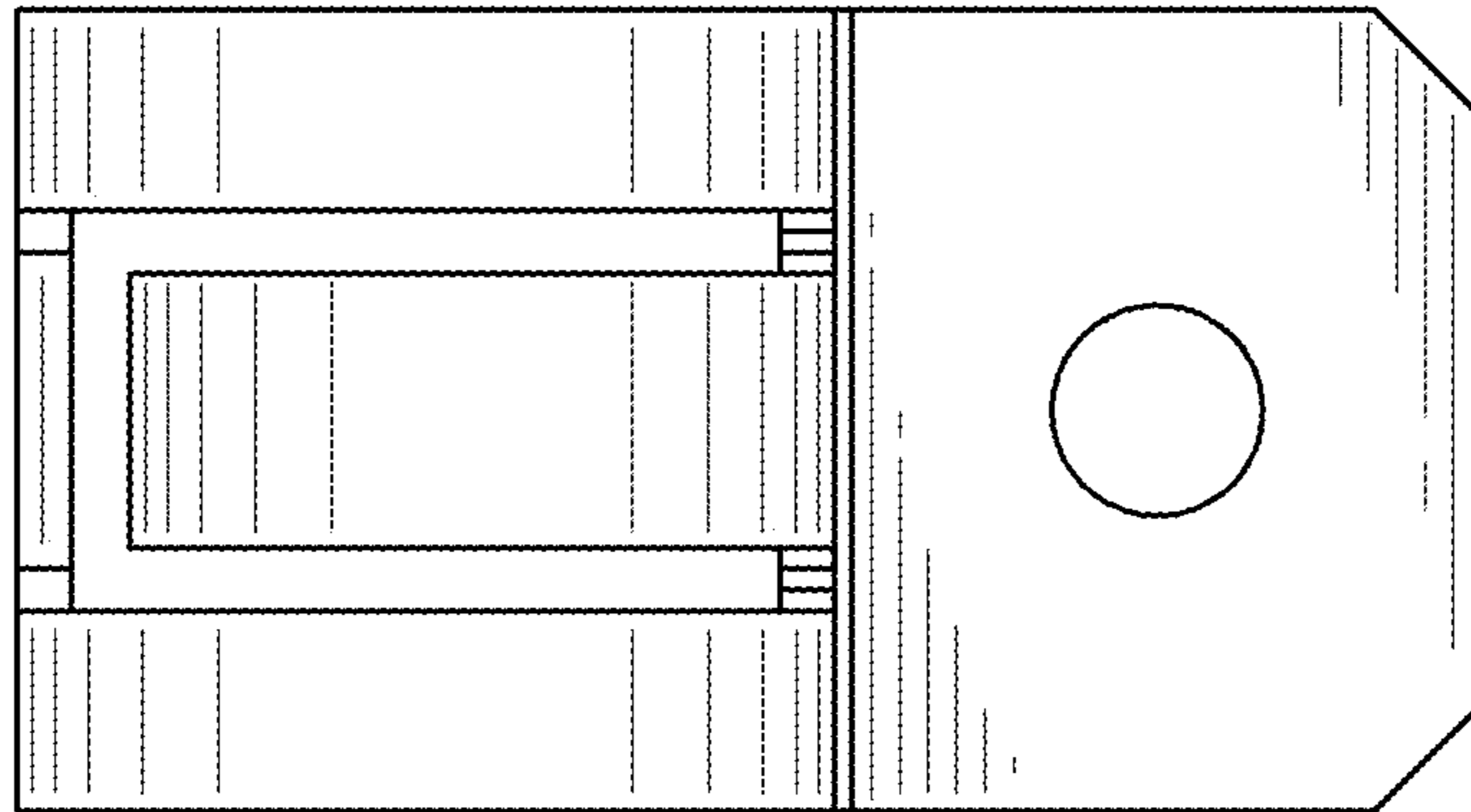


FIG. 4

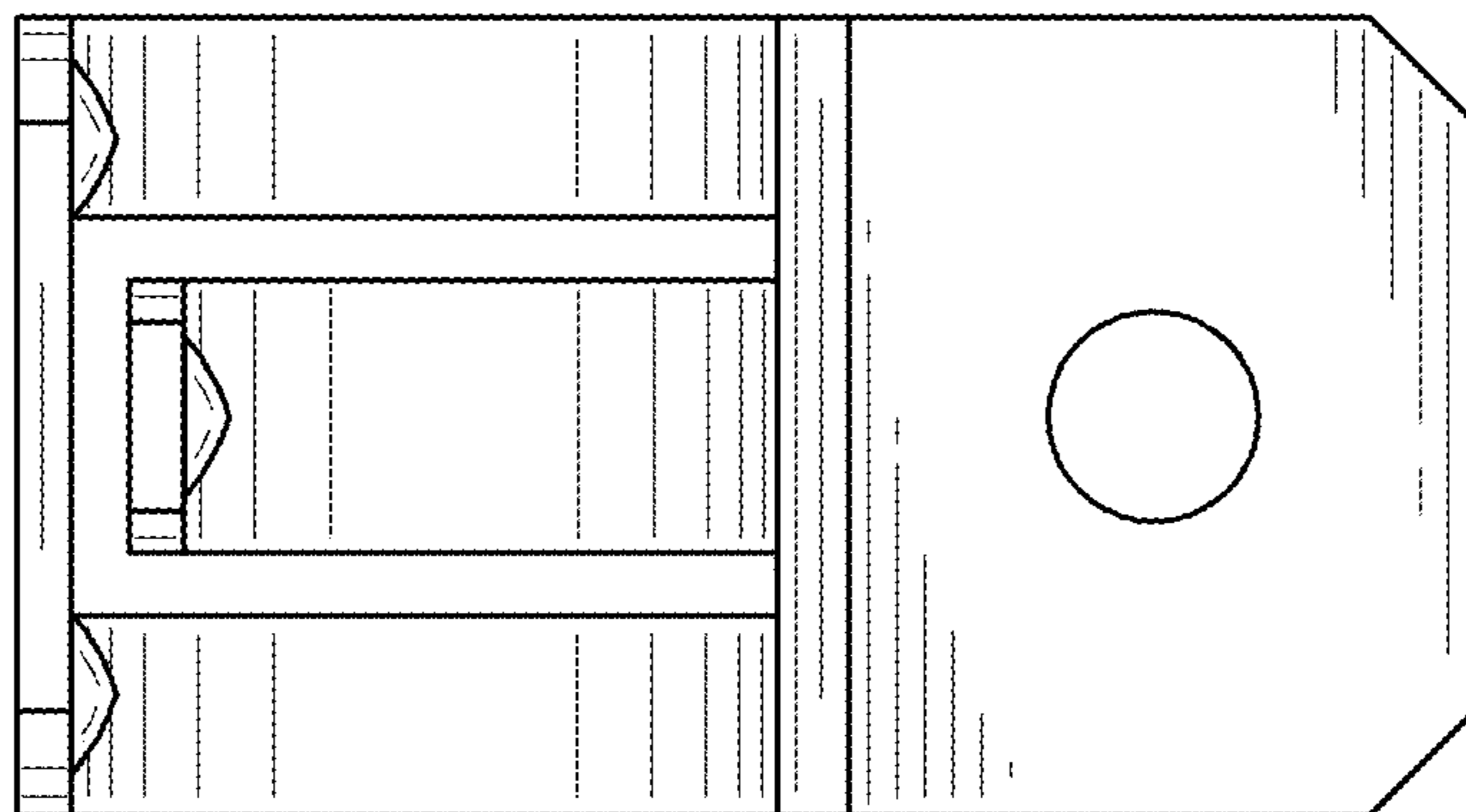


FIG. 5

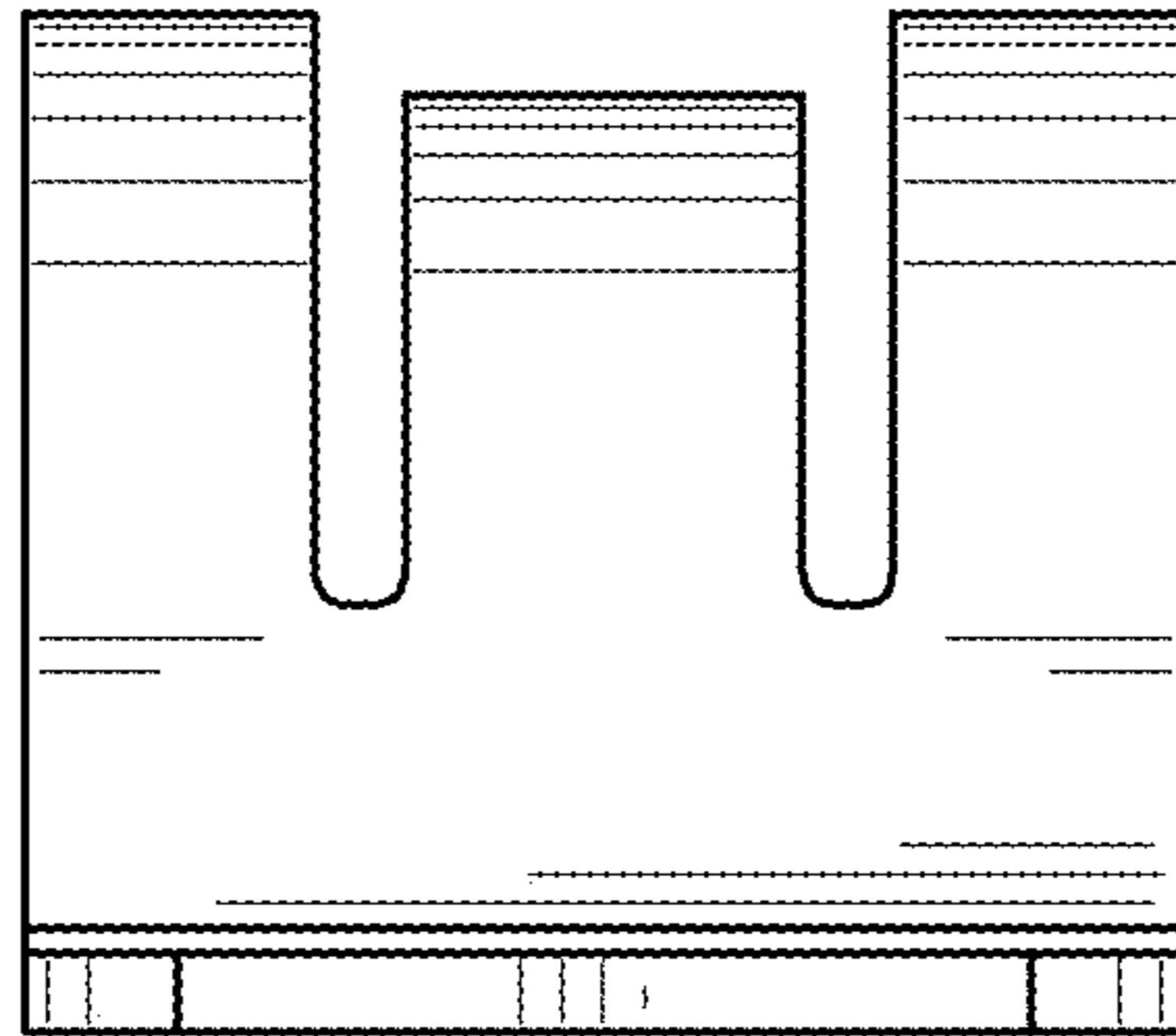


FIG. 6

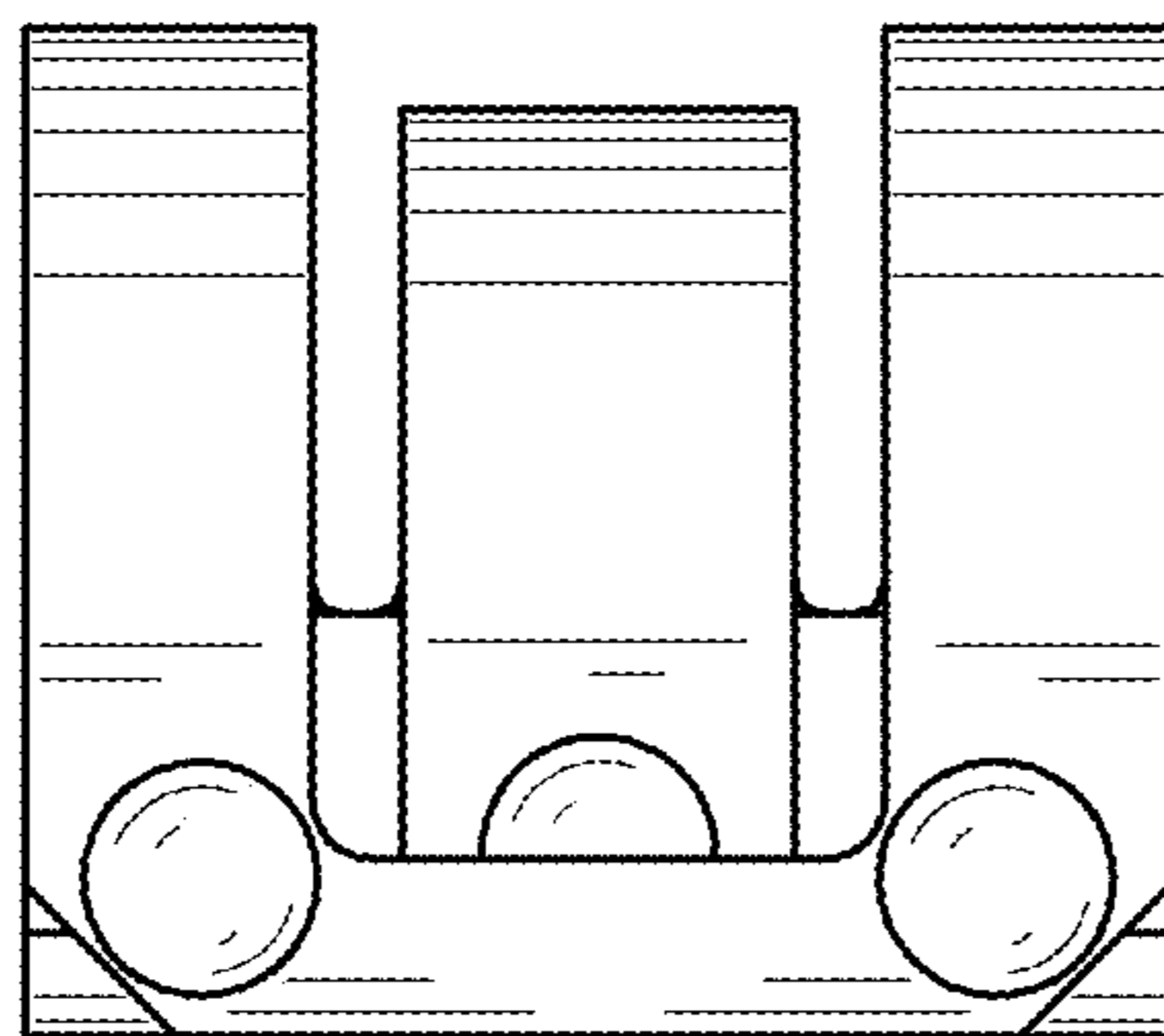


FIG. 7

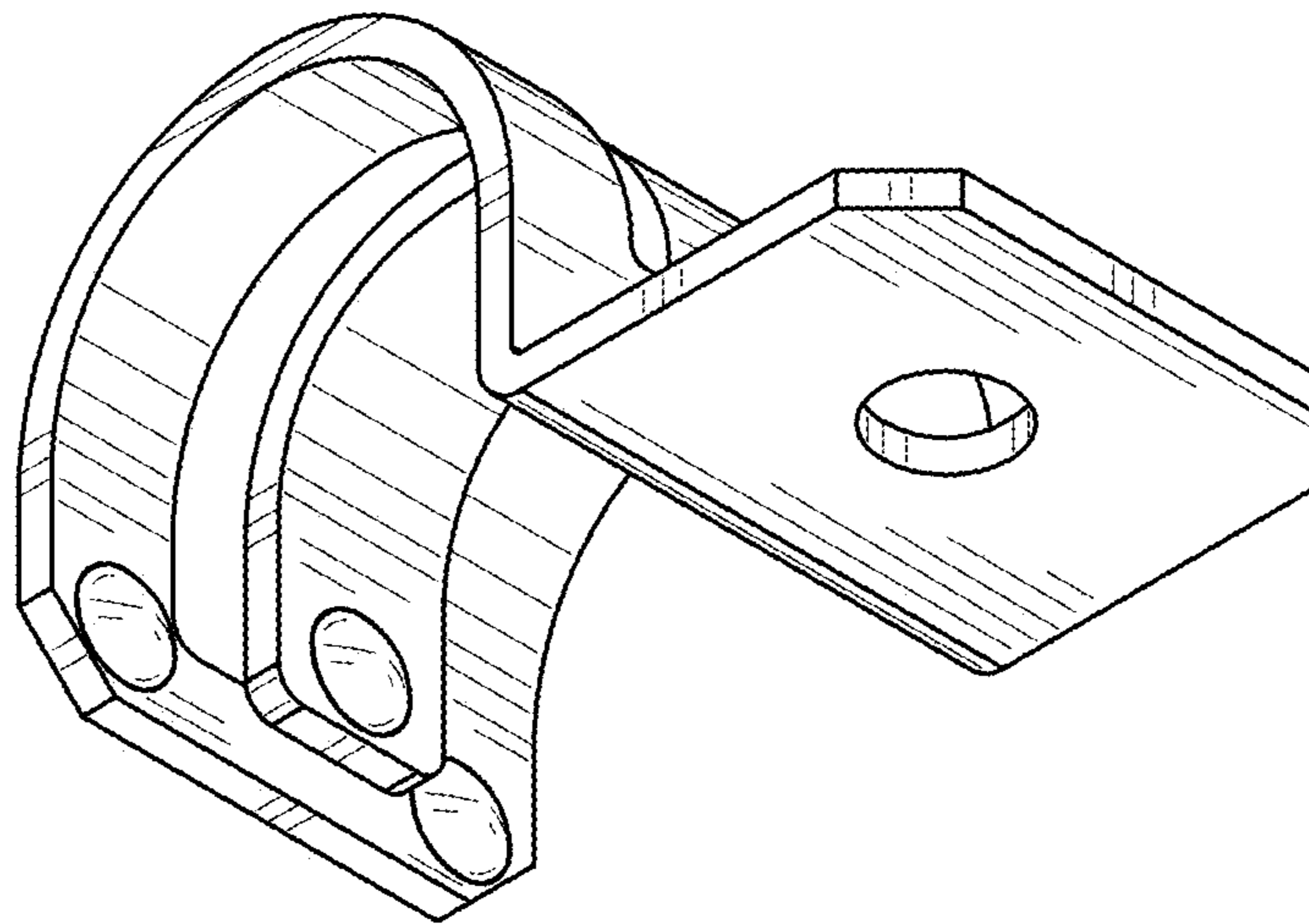


FIG. 8

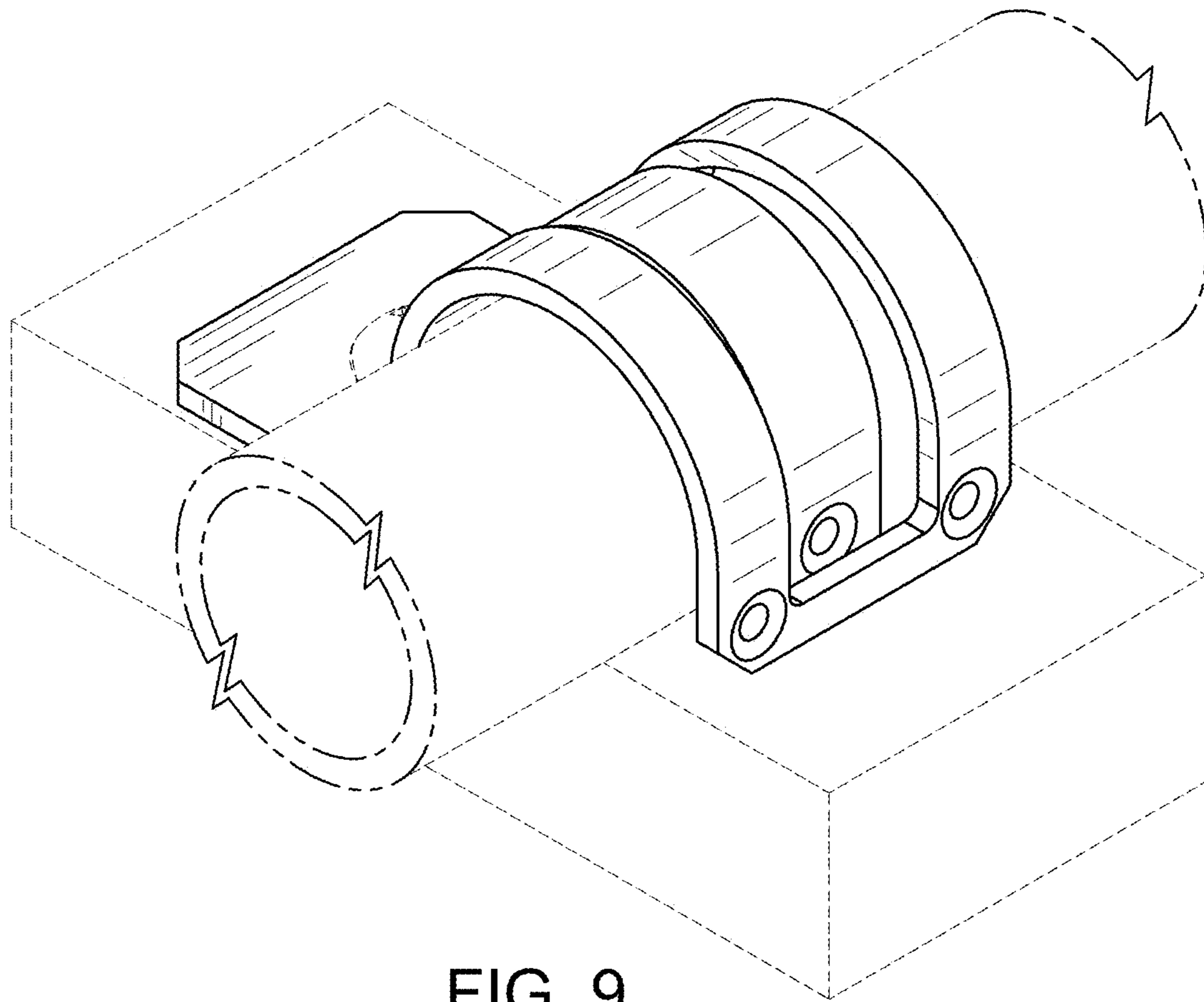


FIG. 9

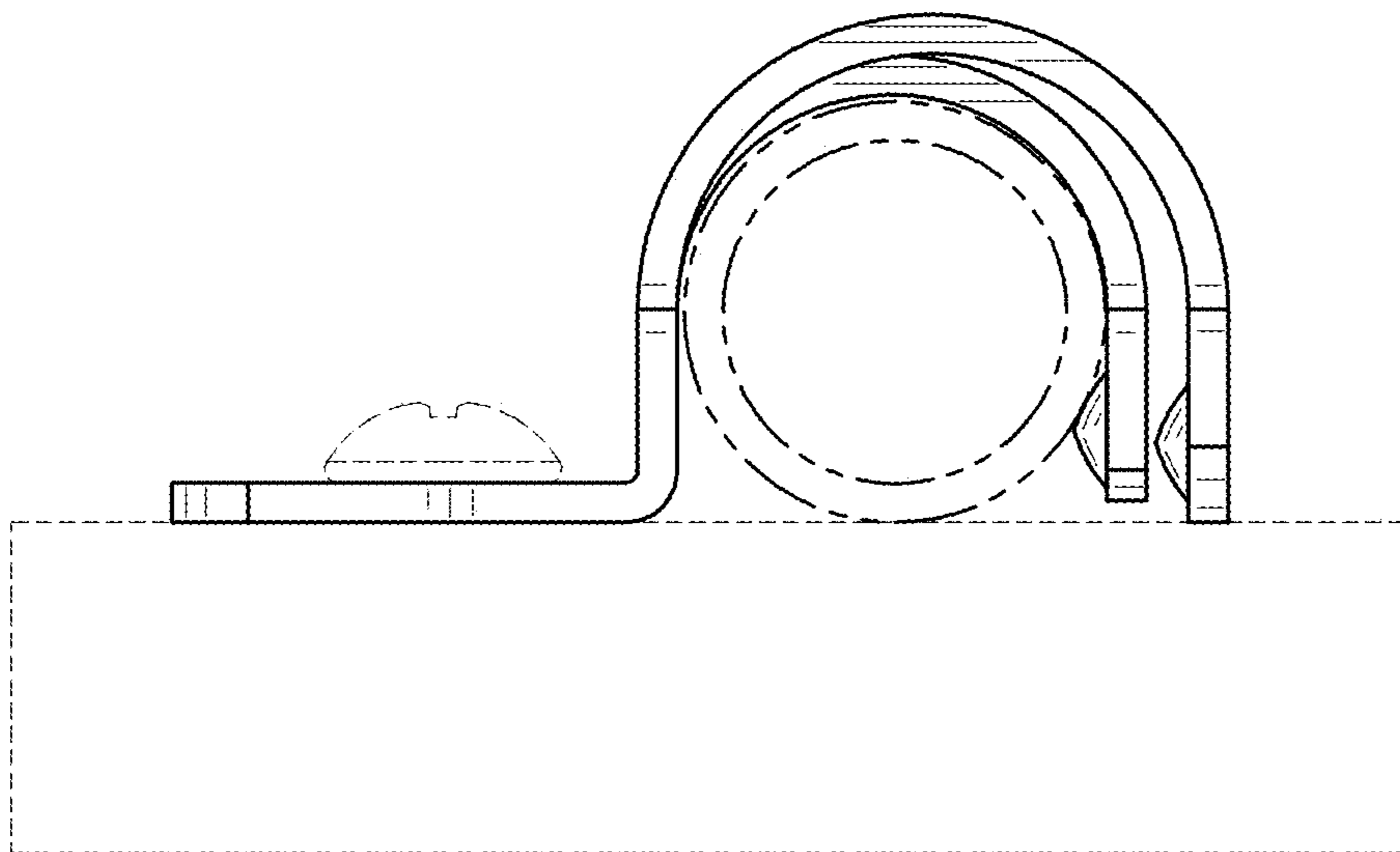


FIG. 10



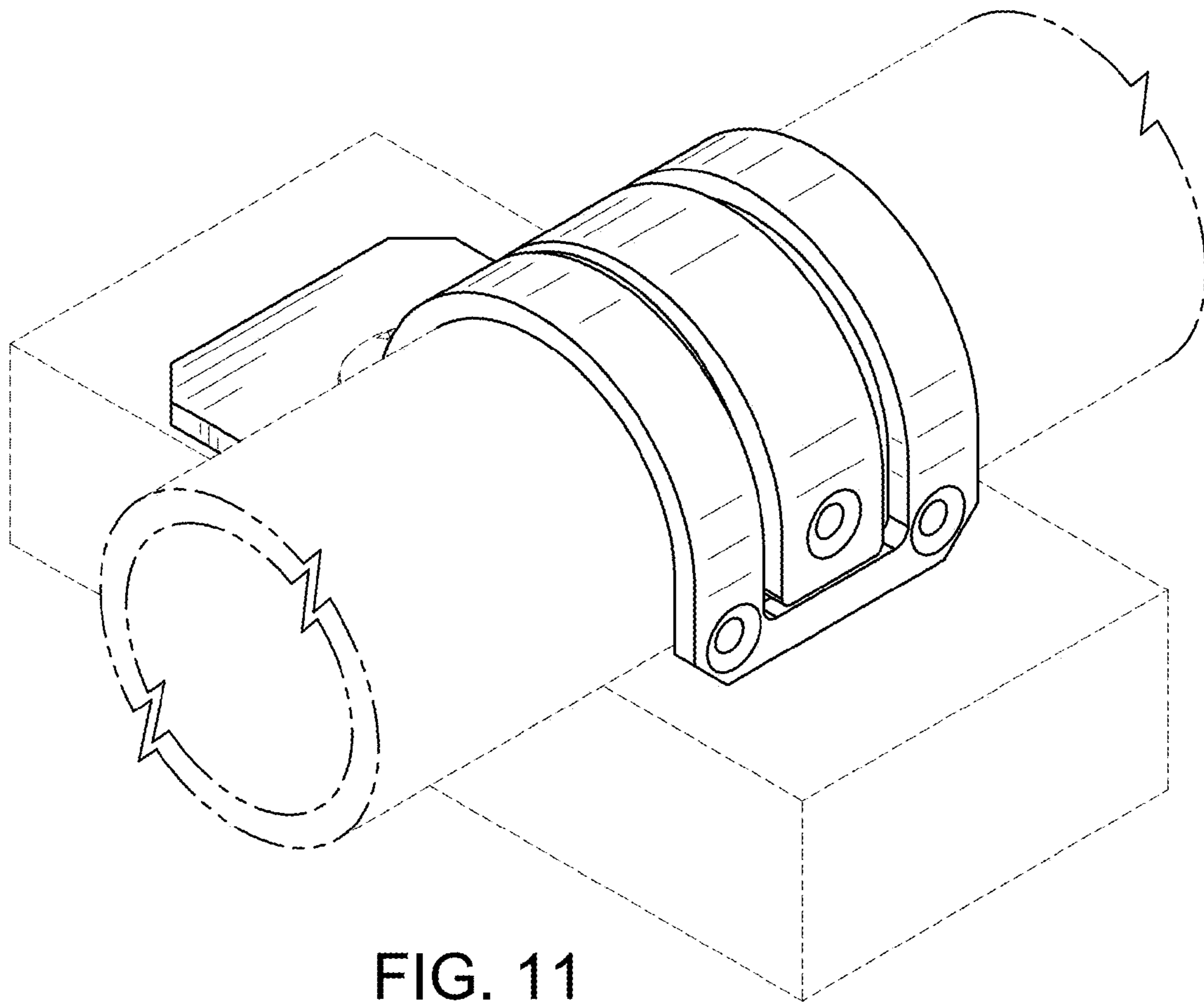


FIG. 11

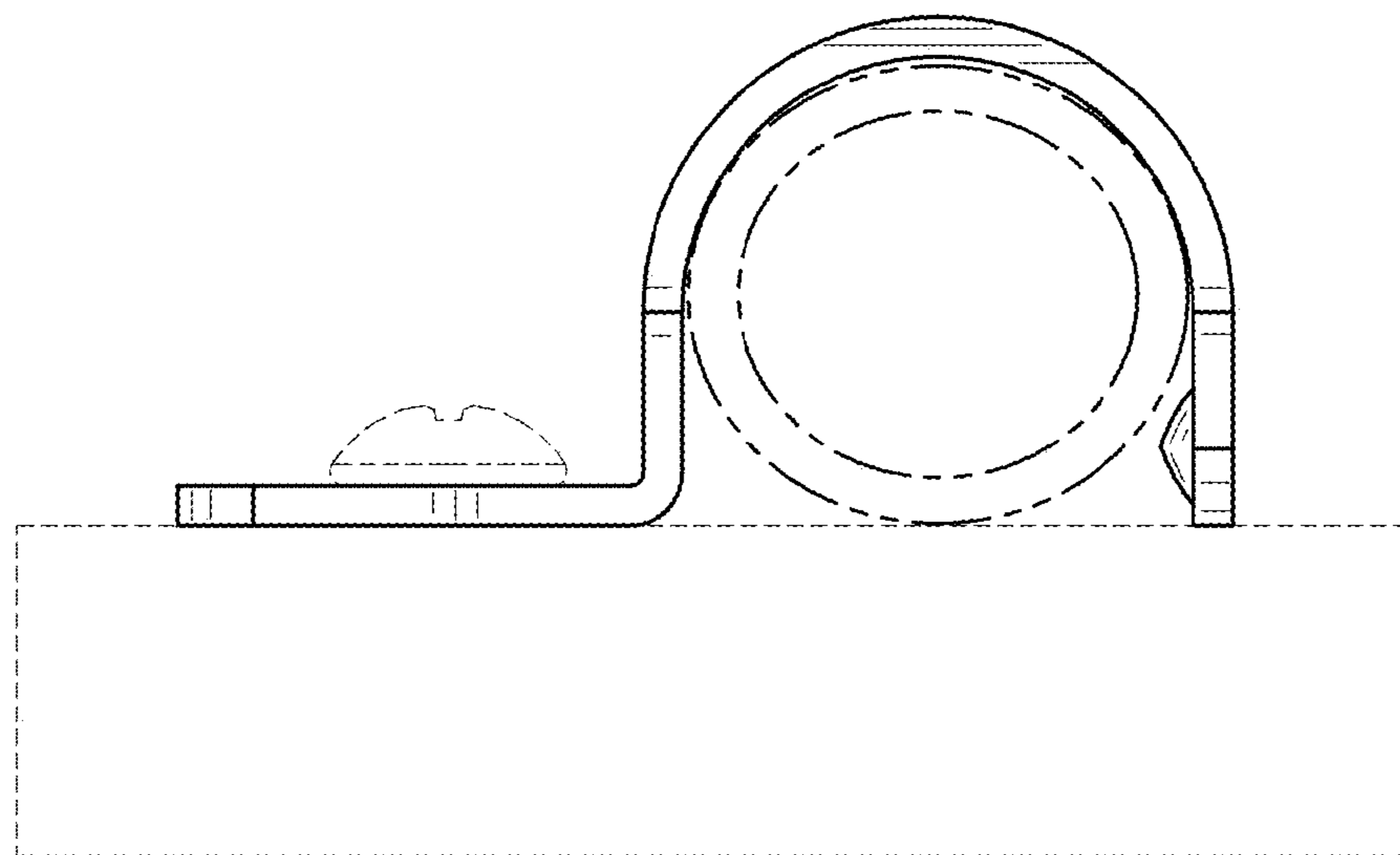


FIG. 12