



US00D945252S

(12) **United States Design Patent** (10) **Patent No.:** **US D945,252 S**
Walker (45) **Date of Patent:** **** Mar. 8, 2022**

(54) **CARABINER**
(71) Applicant: **TruBlue LLC**, Boulder, CO (US)
(72) Inventor: **Ryan Daniel Walker**, Broomfield, CO (US)

3,040,678 A 6/1962 McEwen
3,070,035 A 12/1962 Russo et al.
3,192,872 A 7/1965 Parent
3,194,598 A 7/1965 Goldfuss
3,398,714 A 8/1968 Wallin et al.
3,480,272 A 11/1969 Ziebart
(Continued)

(73) Assignee: **TruBlue LLC**, Louisville, CO (US)

FOREIGN PATENT DOCUMENTS

(**) Term: **15 Years**

DE 4237263 7/1994
EP 0131384 1/1985

(21) Appl. No.: **29/717,694**

(Continued)

(22) Filed: **Dec. 18, 2019**

OTHER PUBLICATIONS

(51) **LOC (13) Cl.** **09-06**

(52) **U.S. Cl.**

USPC **D8/356**

(58) **Field of Classification Search**

USPC D8/356, 354, 105, 349, 367; D3/207

CPC B65H 57/16; B63B 21/045; A63B 29/08;

A63B 27/02

See application file for complete search history.

PCT International Search Report and Written Opinion in International Application PCT/US2018/016475, dated Apr. 16, 2018, 16 pages.

(Continued)

Primary Examiner — Cynthia R Underwood

(74) *Attorney, Agent, or Firm* — Merchant & Gould P.C.

(56) **References Cited**

(57) **CLAIM**

U.S. PATENT DOCUMENTS

The ornamental design for a carabiner, as shown and described.

- 245,893 A 8/1881 Tunnington
- 370,983 A 10/1887 Stahl
- 479,524 A 7/1892 Nicholson
- 546,084 A 9/1895 Webb
- 547,528 A 10/1895 Weaver et al.
- 654,687 A 7/1900 Suter
- 926,156 A 6/1909 Waterhouse et al.
- 1,087,062 A 2/1914 Izett
- 1,087,063 A 2/1914 Izett
- 1,228,694 A 6/1917 Nectott
- 1,371,619 A 3/1921 Greenstreet
- 1,490,619 A 4/1924 Manikowske et al.
- 1,576,352 A 3/1926 Nordling
- 1,873,196 A 8/1932 Harris et al.
- 1,935,711 A 11/1933 Hecox
- 1,958,877 A 5/1934 Yake
- 2,229,935 A 1/1941 Powers
- 2,812,010 A 11/1957 Abdallah

DESCRIPTION

FIG. 1 is a top perspective view of an exemplary carabiner showing the new design.

FIG. 2 is a bottom perspective view of the carabiner of FIG. 1.

FIG. 3 is a front view of the carabiner of FIG. 1.

FIG. 4 is a back view of the carabiner of FIG. 1.

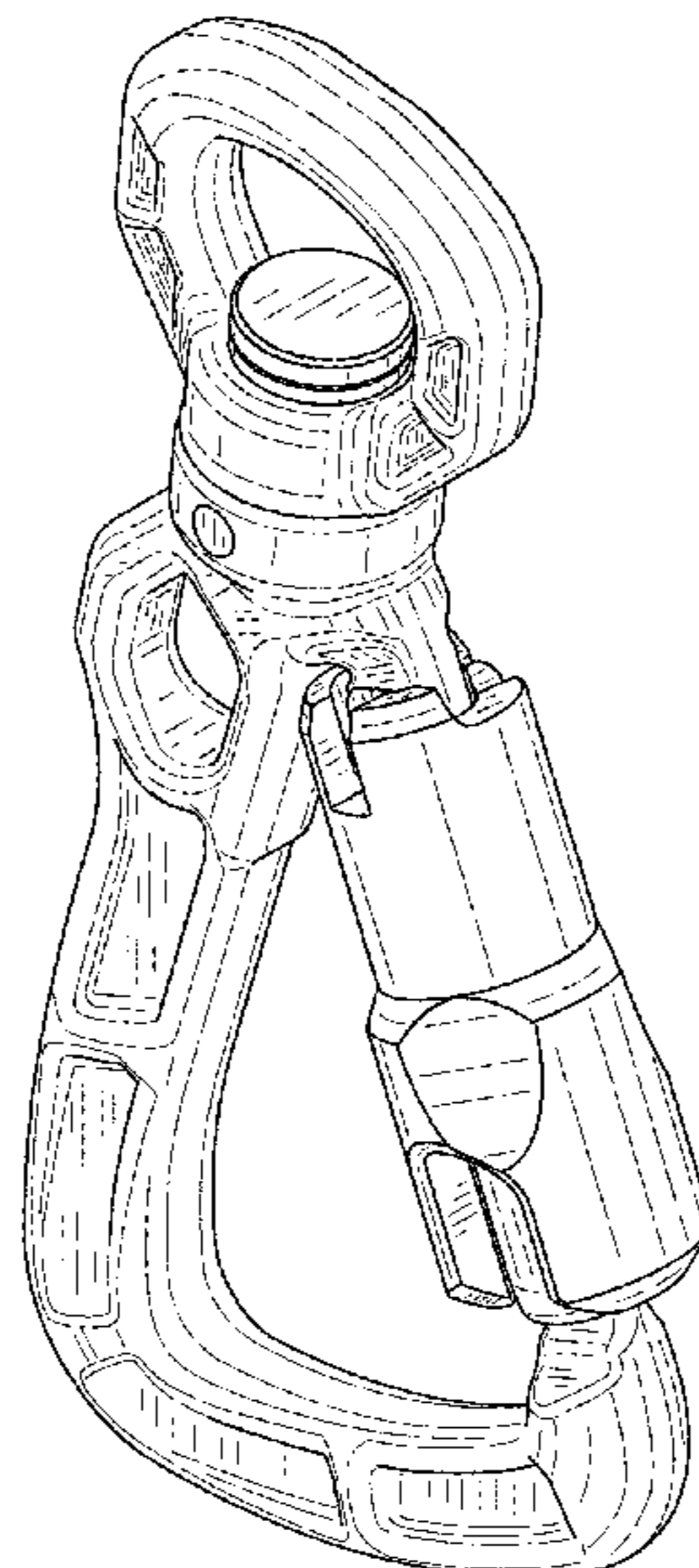
FIG. 5 is a right side view of the carabiner of FIG. 1.

FIG. 6 is a left side view of the carabiner of FIG. 1.

FIG. 7 is a top view of the carabiner of FIG. 1; and,

FIG. 8 is a bottom view of the carabiner of FIG. 1.

1 Claim, 7 Drawing Sheets



(56)

References Cited

U.S. PATENT DOCUMENTS

3,759,190	A	9/1973	Harvey	8,985,027	B2	3/2015	Brown	
4,062,293	A	12/1977	Davis	8,998,151	B2	4/2015	Hoek	
4,159,113	A	6/1979	Callecod	9,016,649	B2	4/2015	Nolle	
4,440,432	A	4/1984	Goris	D730,159	S *	5/2015	Grimm	D8/356
4,528,728	A	7/1985	Schmidt	9,033,115	B2	5/2015	Lerner	
4,621,851	A	11/1986	Bailey, Jr.	D735,018	S	7/2015	McEvelly	
4,721,268	A	1/1988	Lerner et al.	D740,645	S *	10/2015	Koreishi	D8/367
4,892,508	A	1/1990	Ryan	D742,212	S	11/2015	Hsu	
4,948,118	A	8/1990	Miraglia	9,242,659	B2	1/2016	Bernier	
5,094,171	A	3/1992	Fujita	9,322,428	B2	4/2016	Perner	
5,113,768	A	5/1992	Brown	9,381,926	B2	7/2016	Brannan	
5,224,425	A	7/1993	Remington	D767,500	S	9/2016	Byrne	
5,261,343	A	11/1993	Elterman et al.	D768,089	S	10/2016	Liu	
D342,665	S *	12/1993	Rekuc	D773,414	S	12/2016	Hoffman	
5,316,246	A	5/1994	Scott	D774,002	S	12/2016	Hsieh	
D348,385	S *	7/1994	Krauss	D774,383	S	12/2016	Kennedy	
D355,585	S *	2/1995	Terada	D785,316	S *	5/2017	Grossman	D3/208
D372,188	S	7/1996	Van Dyke	D790,127	S	6/2017	Verleur	
D382,190	S	8/1997	Blackston et al.	D794,725	S	8/2017	Lamothe	
5,701,824	A	12/1997	Johnson et al.	D799,941	S	10/2017	Rotherberg	
D391,694	S *	3/1998	Eichhorn	D802,168	S	11/2017	Lee	
D391,840	S *	3/1998	Striebel	D802,866	S	11/2017	Williams	
D394,202	S *	5/1998	Anscher	D805,879	S	12/2017	Garcia	
D402,189	S *	12/1998	Izumi	D807,735	S	1/2018	Nimgulkar et al.	
5,904,099	A	5/1999	Danneker	D811,857	S	3/2018	Williams	
5,931,100	A	8/1999	Sutton et al.	D821,090	S *	6/2018	Case	D3/207
5,954,301	A	9/1999	Joseph	9,988,252	B1	6/2018	Kunstadt	
6,164,582	A	12/2000	Vara	D822,122	S	7/2018	Bilezikian	
6,206,330	B1	3/2001	Oi	D822,461	S	7/2018	Han	
D449,580	S	10/2001	Gee, II	D822,462	S	7/2018	Han	
6,363,589	B1	4/2002	Calloway	D822,463	S	7/2018	Han	
6,363,858	B1	4/2002	Voirin	D823,710	S	7/2018	Schone et al.	
6,588,076	B1	7/2003	Choate	10,023,207	B2	7/2018	Brown	
6,640,727	B2	11/2003	Ostrobrod	10,023,208	B2	7/2018	Brown	
D484,035	S	12/2003	Smith-Keilland et al.	10,046,745	B2	8/2018	McGowan	
6,666,773	B1	12/2003	Richardson	10,060,466	B2 *	8/2018	Kaneko	F16B 45/02
D488,054	S	4/2004	Myers	10,065,507	B1	9/2018	Lerner	
D491,049	S *	6/2004	Kung	D833,854	S	11/2018	Yamamoto	
6,810,818	B2	11/2004	Petzl et al.	D834,402	S	11/2018	Bailey	
D549,557	S	8/2007	Mori et al.	D835,497	S	12/2018	Rindy et al.	
D568,254	S	5/2008	Patchett	D835,974	S	12/2018	Moore et al.	
D569,234	S	5/2008	Young, IV	D835,975	S	12/2018	Putnam, Jr.	
D569,236	S	5/2008	Young, IV	D837,635	S *	1/2019	Petzl	D8/356
D569,712	S	5/2008	Young, IV	D841,440	S	2/2019	Bailey	
7,381,137	B2	6/2008	Steele et al.	D843,813	S	3/2019	Tillitski	
D572,573	S	7/2008	Abels	10,333,378	B2	6/2019	Lerner	
D575,143	S	8/2008	Kuo et al.	D852,609	S *	7/2019	LeBeau	D8/356
D579,763	S *	11/2008	Uehara	D862,205	S	10/2019	Bailey	
D583,654	S *	12/2008	Uehara	D865,492	S	11/2019	Bailey	
D589,899	S	4/2009	Huang	D869,937	S	12/2019	Walker	
D595,120	S	6/2009	Plowman	10,532,662	B2	1/2020	McGowan	
D596,128	S	7/2009	Hung	10,544,822	B2	1/2020	Bailey	
7,610,706	B2	11/2009	Pitcher et al.	D882,378	S *	4/2020	Graykowski	D8/356
7,624,684	B2	12/2009	Morris	D892,600	S *	8/2020	Schmitz	D8/367
D613,697	S	4/2010	Symons	D892,601	S *	8/2020	Schmitz	D8/367
D617,741	S	6/2010	Fennell	D894,718	S *	9/2020	Kramer	D8/356
7,819,066	B2	10/2010	Smith	D902,009	S *	11/2020	Yang	D8/336
7,825,337	B2	11/2010	Young, IV	D933,462	S *	10/2021	Zunzunegui	D8/367
D640,527	S	6/2011	Hoek	2002/0050032	A1	5/2002	Carnall	
D644,501	S	9/2011	Chen	2002/0162477	A1	11/2002	Palumbo	
8,016,073	B2	9/2011	Petzl et al.	2002/0179372	A1	12/2002	Schreiber	
D648,685	S	11/2011	Symons	2004/0118982	A1	6/2004	Shillings	
D649,024	S *	11/2011	Takazakura	2005/0189453	A1	9/2005	DeGuevera	
D657,869	S	4/2012	Mammen	2005/0246874	A1	11/2005	Hsu	
D658,094	S	4/2012	Dunn	2006/0087139	A1	4/2006	Ayres	
D665,655	S *	8/2012	Ishii	2006/0137151	A1	6/2006	Thompson	
D668,620	S	10/2012	Convert	2006/0179784	A1 *	8/2006	Chen	F16B 21/00 52/698
D670,995	S	11/2012	Stieler	2007/0235597	A1	10/2007	Winchester	
8,336,463	B2	12/2012	Smith	2008/0178760	A1	7/2008	Frangos et al.	
D675,806	S *	2/2013	Caul	2008/0202375	A1	8/2008	Quattlebaum	
D680,851	S	4/2013	Lo	2009/0223406	A1	9/2009	Smith	
8,424,460	B2	4/2013	Lerner et al.	2010/0224714	A1	9/2010	Winther et al.	
8,601,951	B2	12/2013	Lerner	2010/0288586	A1	11/2010	Gorbounov	
8,695,913	B2	4/2014	Cheng	2010/0308149	A1	12/2010	Allington	
D719,798	S	12/2014	Thompson	2010/0325848	A1	12/2010	Liang	
				2011/0023275	A1	2/2011	Thompson	
				2011/0083577	A1	4/2011	Tilley	
				2011/0239898	A1	10/2011	Brown	

(56)

References Cited

U.S. PATENT DOCUMENTS

2012/0031296 A1 2/2012 Smith
 2012/0055740 A1 3/2012 Allington
 2013/0327242 A1 12/2013 Bernier
 2014/0245576 A1* 9/2014 Perner F16B 45/02
 24/600.1
 2014/0311376 A1 10/2014 Brannan
 2014/0326161 A1 11/2014 Halliday
 2015/0196820 A1 7/2015 Allington
 2015/0231423 A1* 8/2015 Perner A62B 35/0075
 24/505
 2015/0266454 A1 9/2015 McGowan
 2015/0375758 A1 12/2015 Strasser
 2016/0050481 A1 2/2016 Moats
 2016/0361578 A1* 12/2016 Casebolt A62B 35/0037
 2017/0121154 A1 5/2017 Costa
 2018/0216656 A1 8/2018 Bailey
 2018/0304907 A1 10/2018 Richardson
 2018/0326957 A1 11/2018 McGowan
 2019/0109528 A1 4/2019 Lerner
 2019/0134437 A1 5/2019 Weston et al.
 2019/0144244 A1 5/2019 McGowan

FOREIGN PATENT DOCUMENTS

EP 1386814 2/2004
 GB 920392 3/1963
 GB 1527238 10/1978
 GB 2503737 1/2014
 WO 2009143529 11/2009

OTHER PUBLICATIONS

PETZL Adventure Parks Catalog Z014AA04, 2017, in Spanish, 16 pages (and the English translation for the PETZL Adventure Parks Catalog Z014AC05, (dated 2019), 11 pages, (27 pages all together). PCT International Preliminary Report on Patentability in Application PCT/US2018/016475, dated Aug. 15, 2019, 8 pgs.
 PCT International Search Report and Written Opinion in International Application PCT/US2020/058898, dated Feb. 25, 2021, 21 pages.
 Rock Exotica LLC, "SwivaEye Auto-Lock Carabiner", Mar. 12, 2019, retrieved from the internet on Feb. 16, 2021 at: <https://web.archive.org/web/20190312071326/https://rockexotica.com/product/swivels/swivaeye/#expand>, 3 pgs.

* cited by examiner

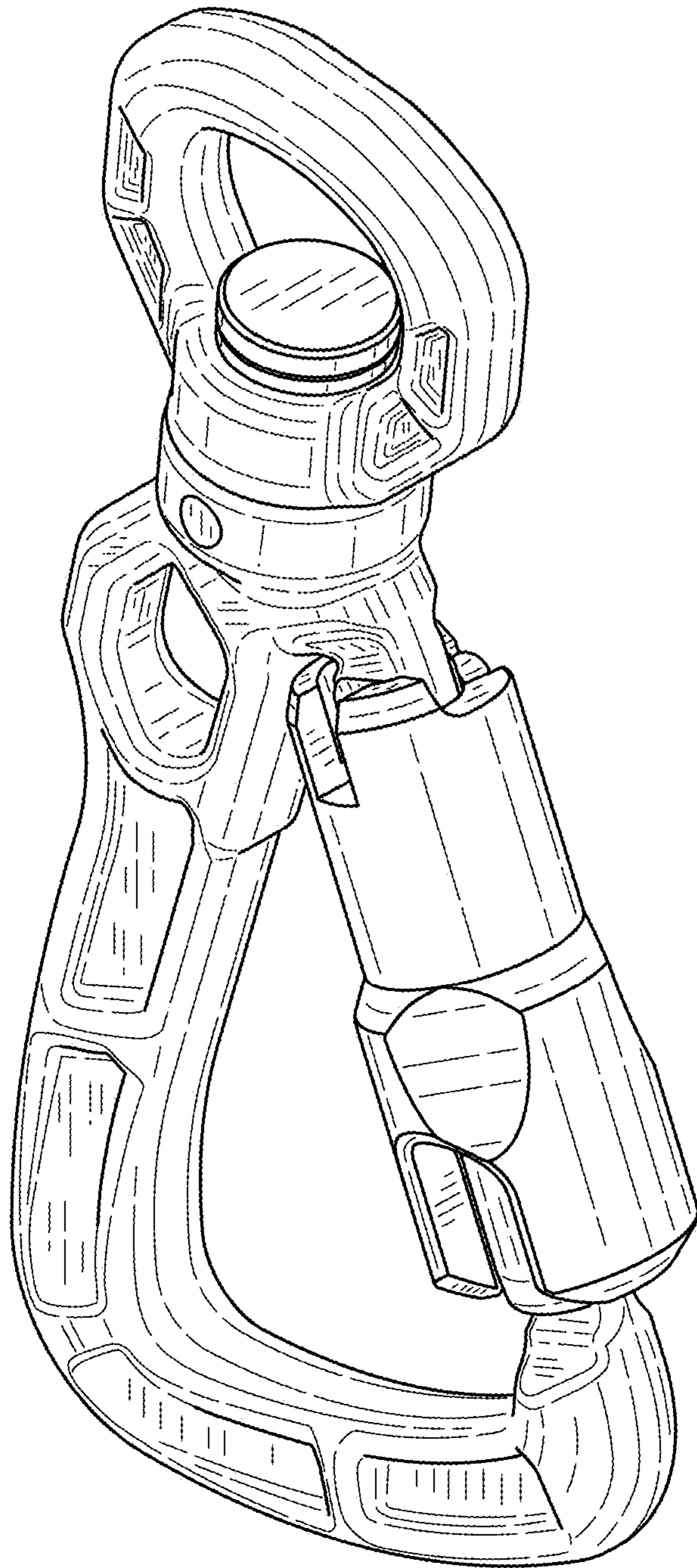


FIG.1

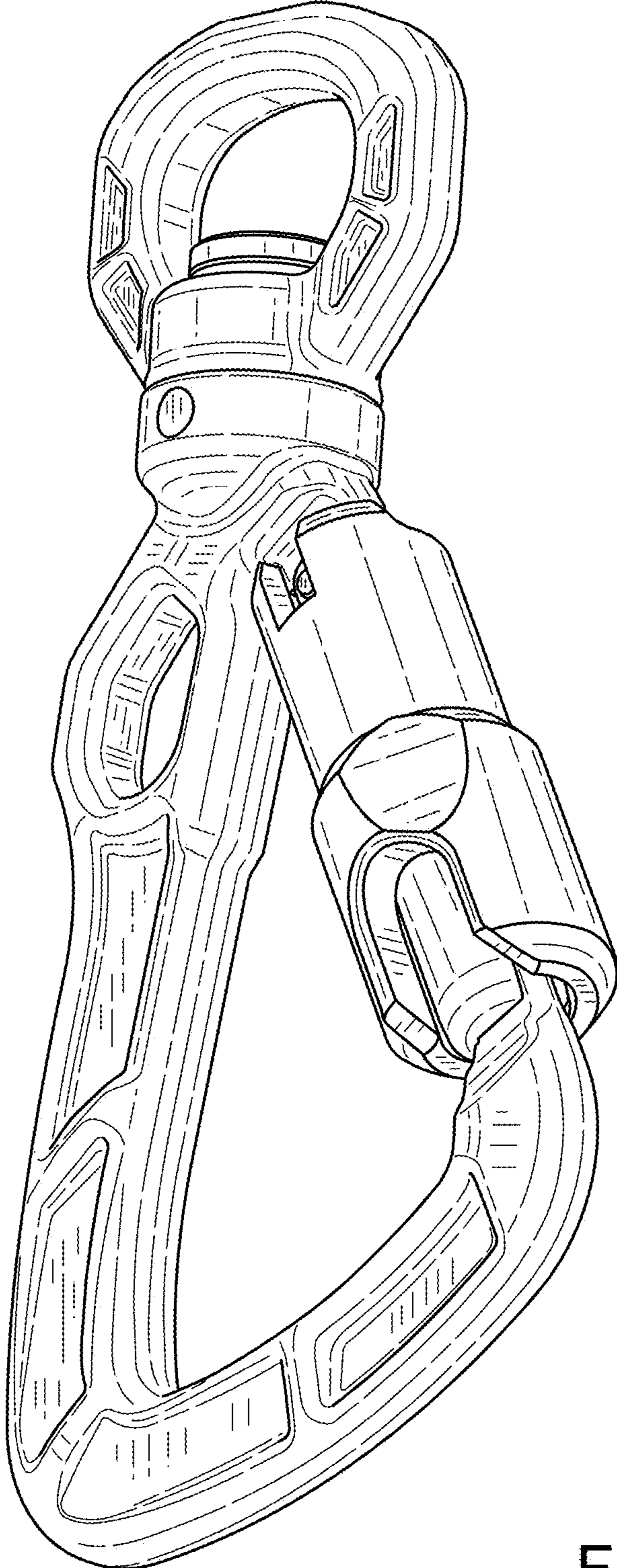


FIG.2

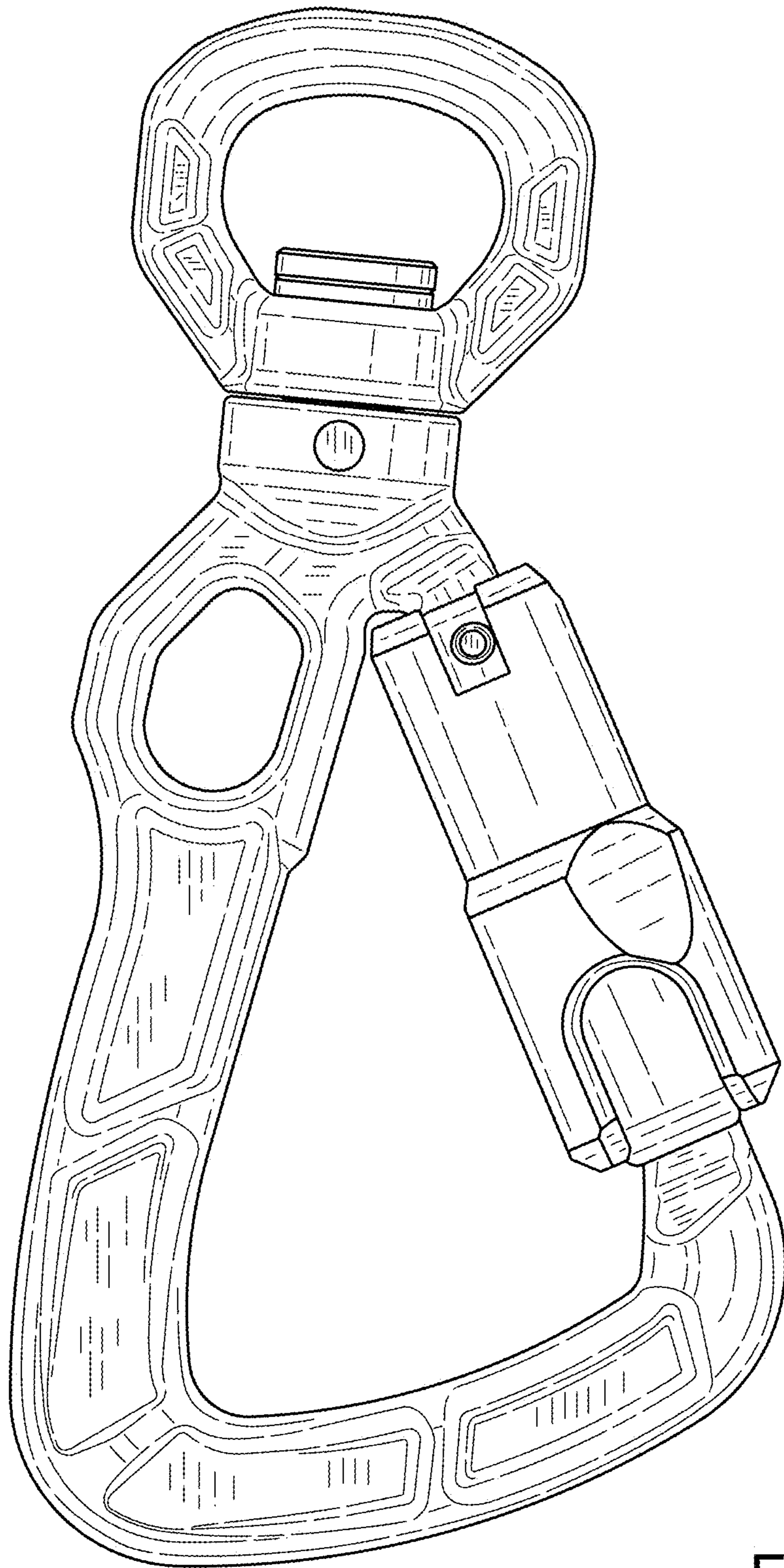


FIG.3

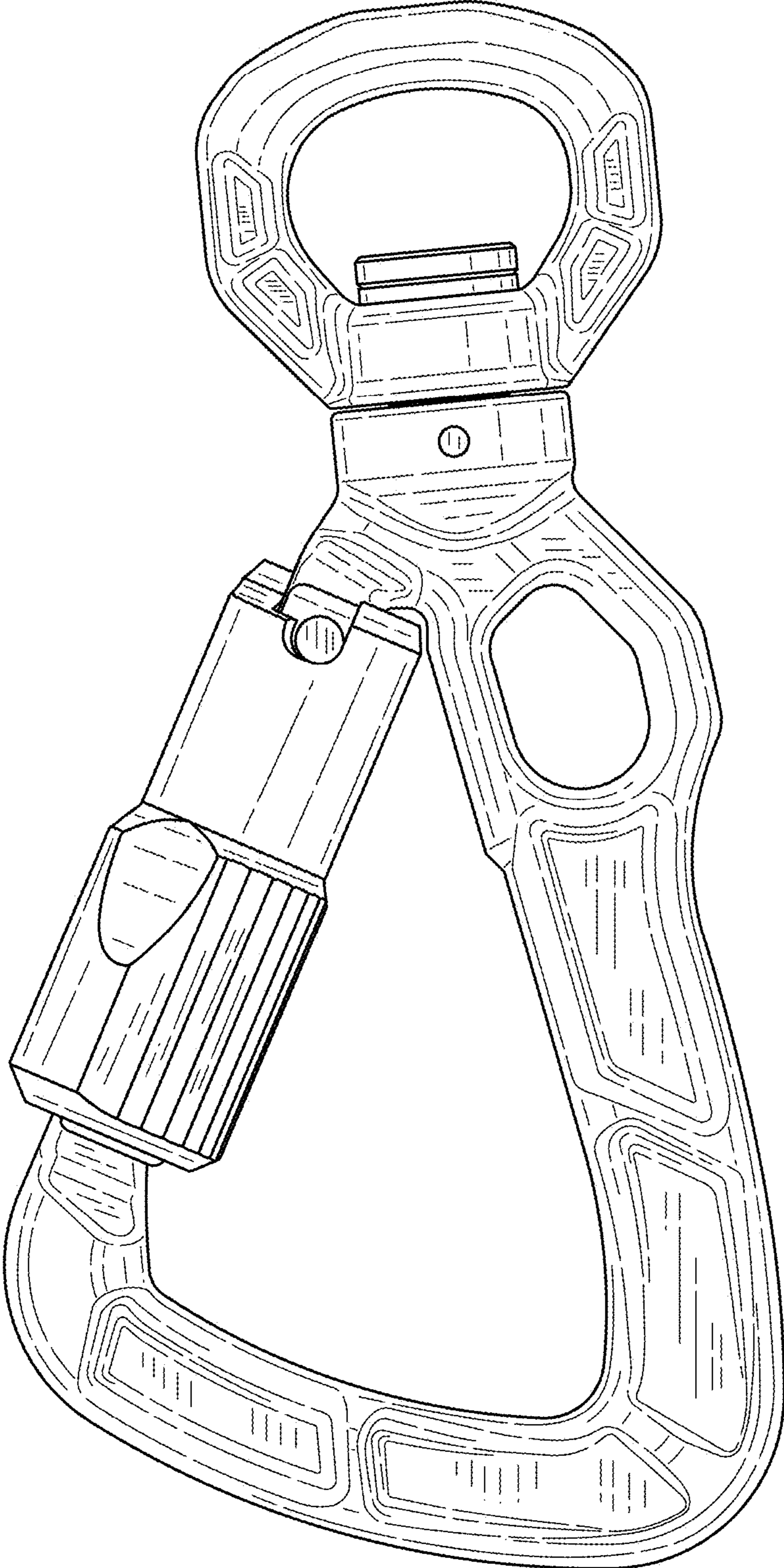


FIG. 4

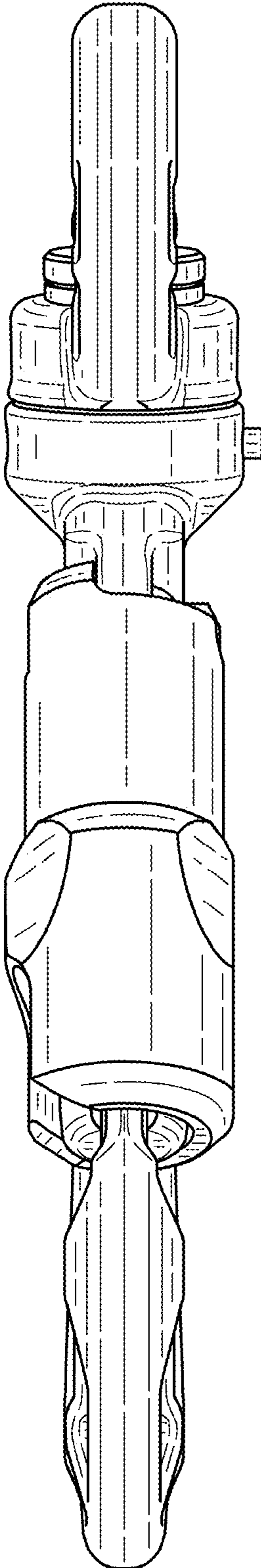


FIG.5

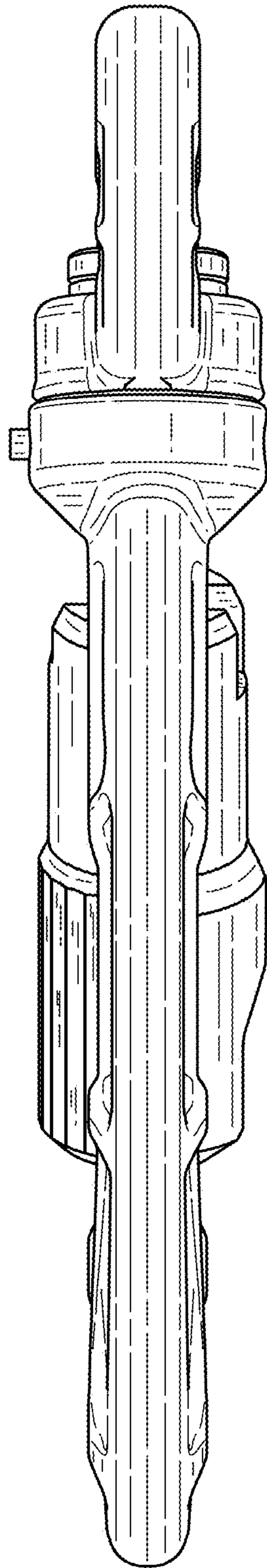


FIG.6

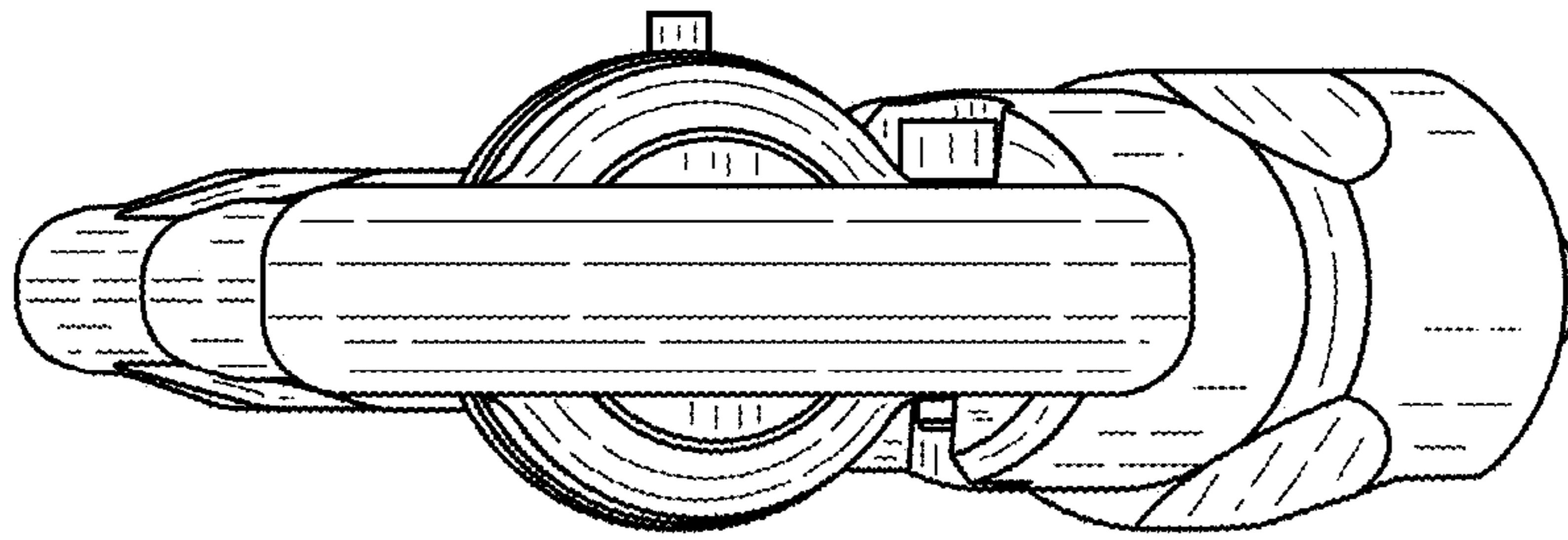


FIG. 7

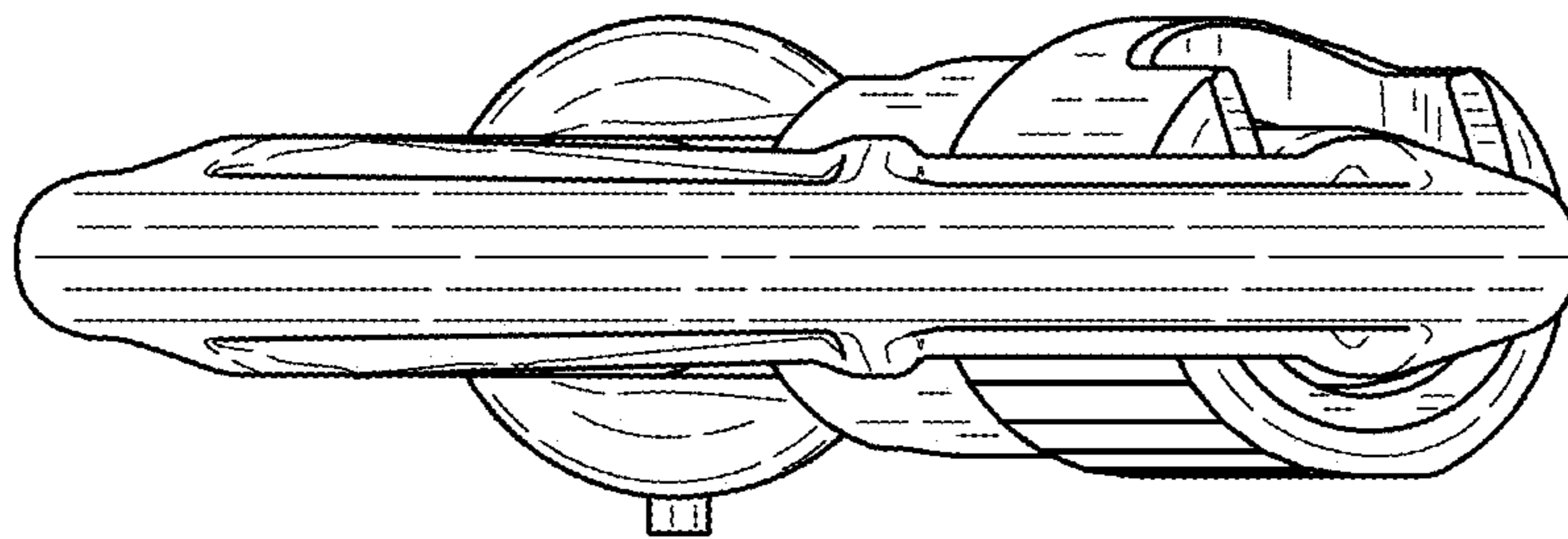


FIG. 8