



US00D945249S

(12) **United States Design Patent** (10) **Patent No.:** **US D945,249 S**  
**Puskar-Pasewicz et al.** (45) **Date of Patent:** **\*\* Mar. 8, 2022**

(54) **COOLER LATCH**

(71) Applicant: **Goat Outdoor, Inc.**, Houston, TX (US)

(72) Inventors: **John Puskar-Pasewicz**, Pittsburgh, PA (US); **Joe McCarry**, Pittsburgh, PA (US)

(73) Assignee: **Goat Outdoor, Inc.**, Houston, TX (US)

(\*\*) Term: **15 Years**

(21) Appl. No.: **29/724,396**

(22) Filed: **Feb. 14, 2020**

(51) **LOC (13) Cl.** ..... **08-07**

(52) **U.S. Cl.**  
USPC ..... **D8/336**

(58) **Field of Classification Search**  
USPC ..... D8/336  
CPC ..... E05B 65/48; E05B 65/50; E05B 65/5276;  
E05B 65/52; E05B 65/5246; E05B 65/5253; E05B 65/5215; B65D 43/164;  
B65D 45/00; B65D 45/025; B65D 45/02;  
A45C 13/00; A45C 13/10; A45C 13/14;  
A45C 13/1084; A45C 13/1076; E05C 5/00; E05C 7/00; E05C 3/12

See application file for complete search history.

(56) **References Cited**

U.S. PATENT DOCUMENTS

6,497,438 B1 \* 12/2002 Holub ..... E05B 17/0025  
292/240  
D727,134 S \* 4/2015 Yamamoto ..... D8/336  
2014/0376992 A1 \* 12/2014 Wu ..... A45C 13/00  
403/155  
2018/0354687 A1 \* 12/2018 Seiders ..... B65D 45/24

\* cited by examiner

*Primary Examiner* — Doris Clark

(74) *Attorney, Agent, or Firm* — Schwartz Law Firm, P.C.

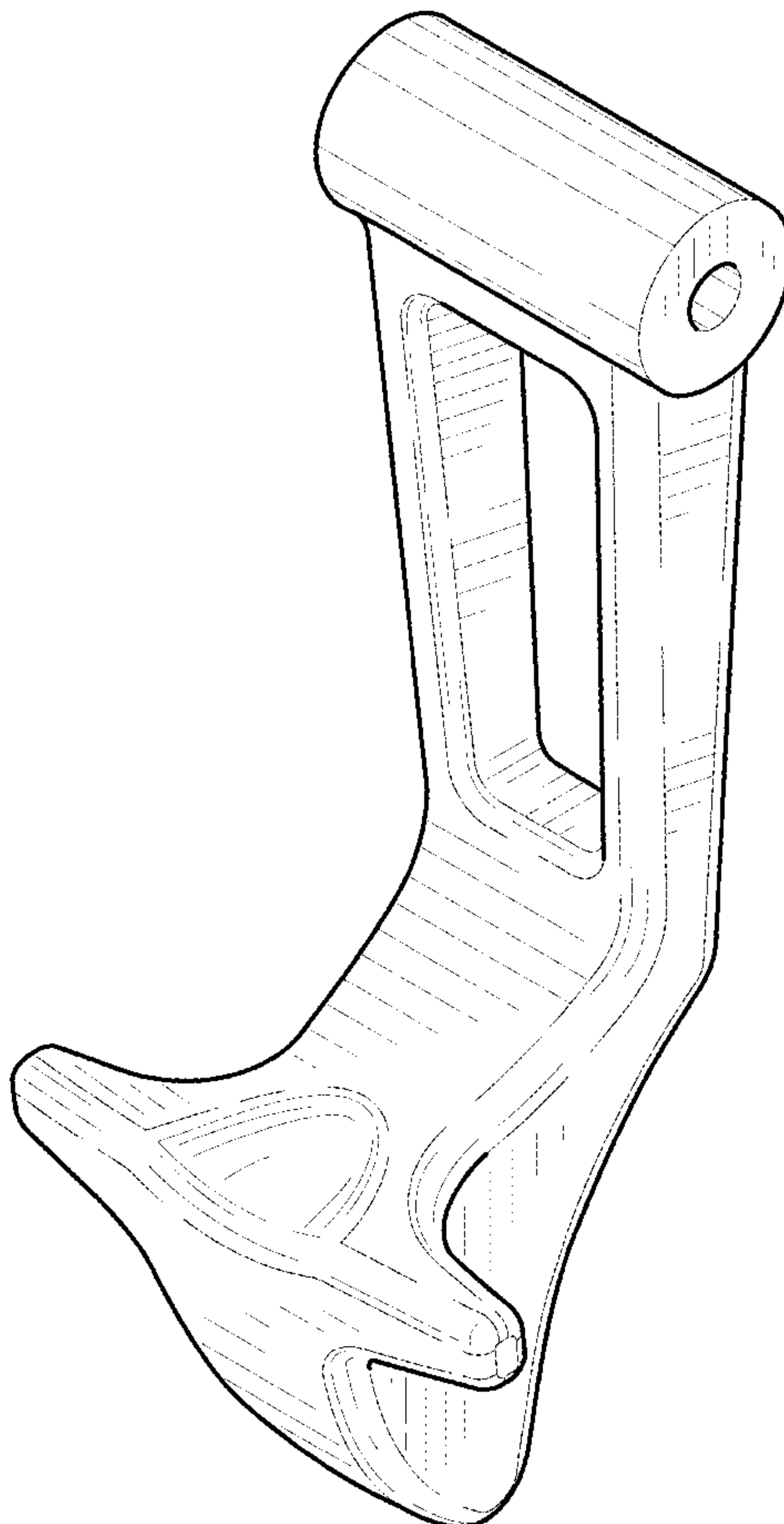
(57) **CLAIM**

We claim the ornamental design for a cooler latch, as shown.

**DESCRIPTION**

FIG. 1 is a first perspective view of the cooler latch;  
FIG. 2 is a perspective view of the cooler latch;  
FIG. 3 is the opposite perspective view of the cooler latch;  
FIG. 4 is a rear view of the cooler latch;  
FIG. 5 is a front view of the cooler latch;  
FIG. 6 is a top view of the cooler latch;  
FIG. 7 is a bottom view of the cooler latch;  
FIG. 8 is a right side view of the cooler latch; and,  
FIG. 9 is a left side view of the cooler latch.

**1 Claim, 7 Drawing Sheets**



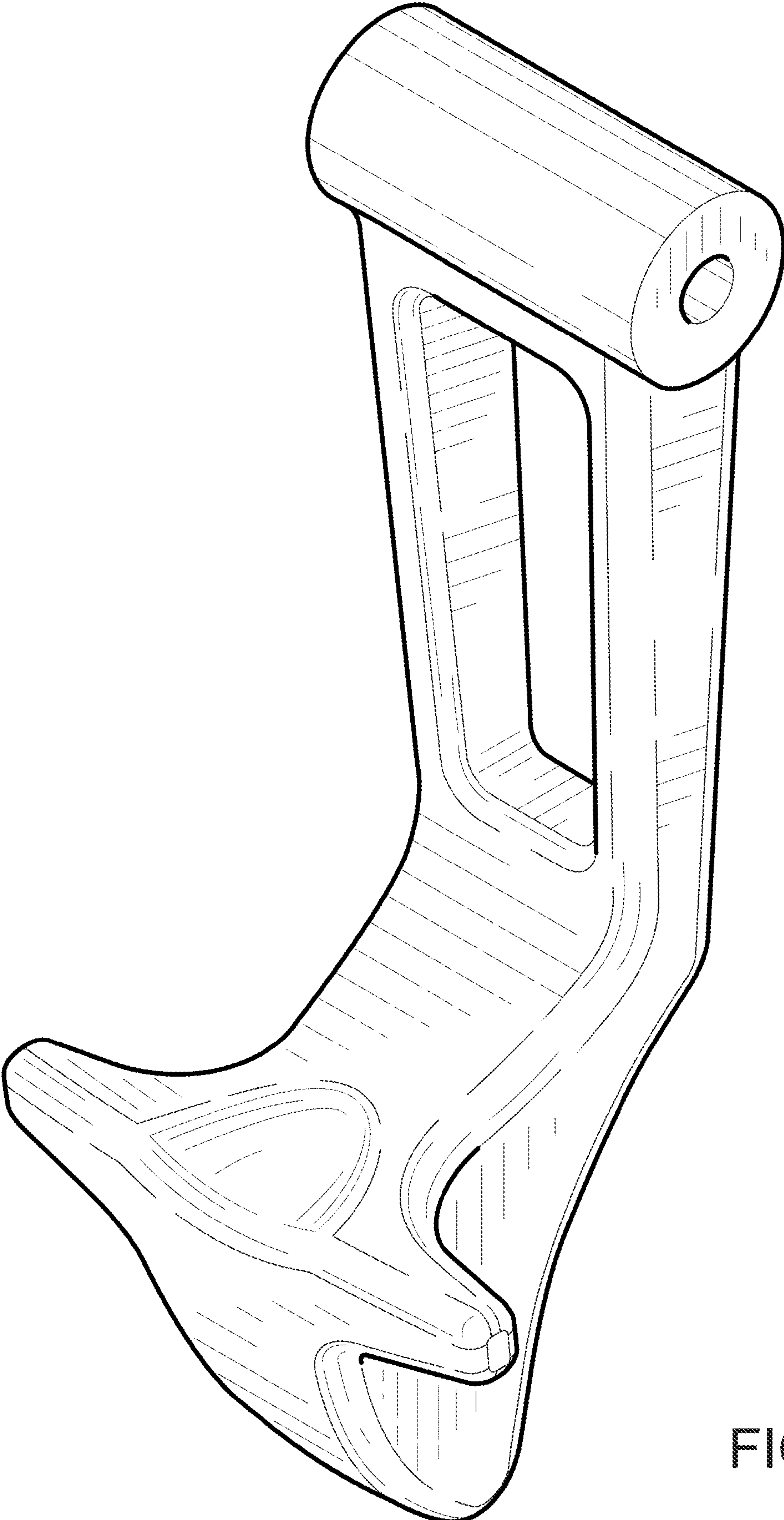


FIG. 1

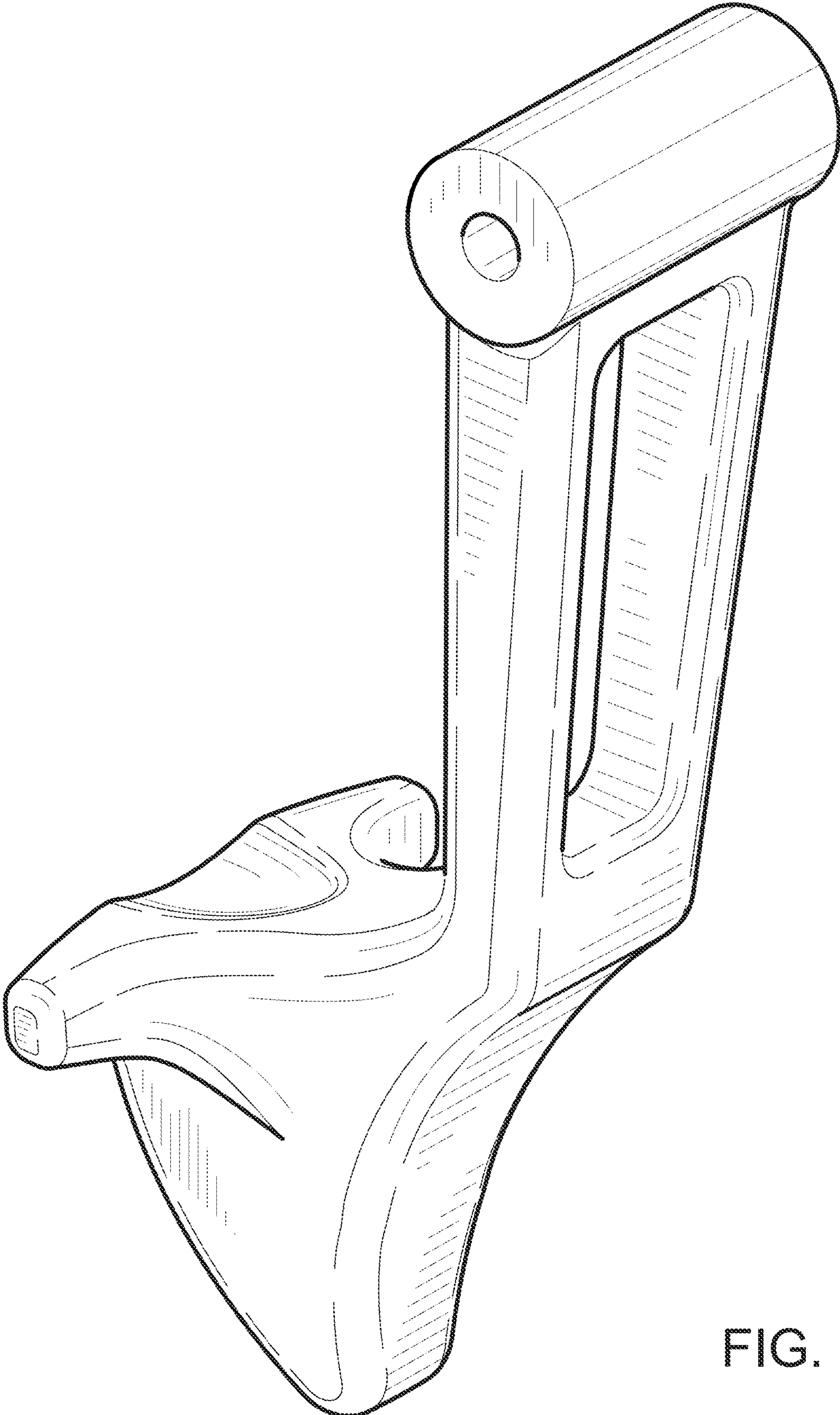


FIG. 2

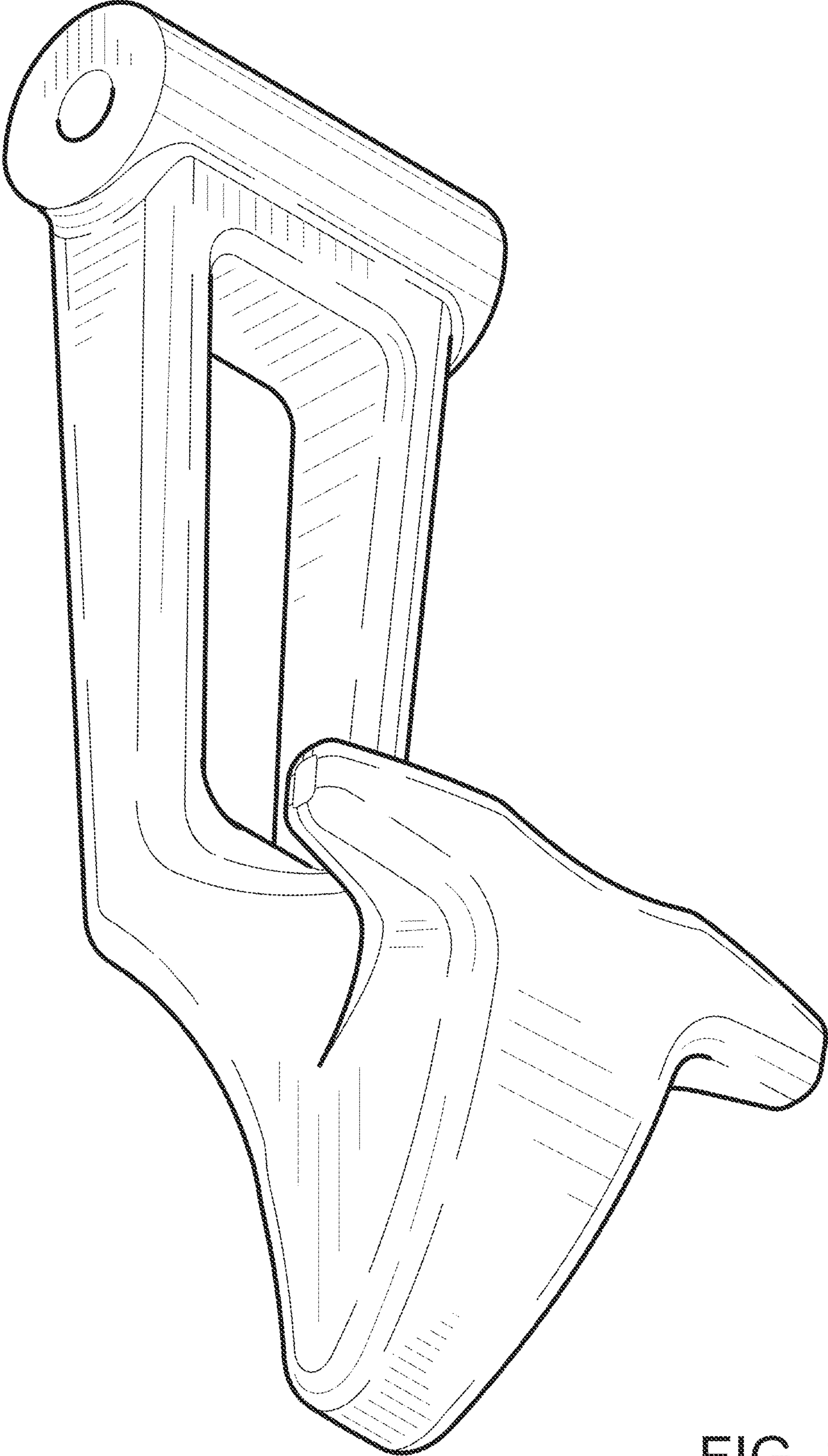


FIG. 3



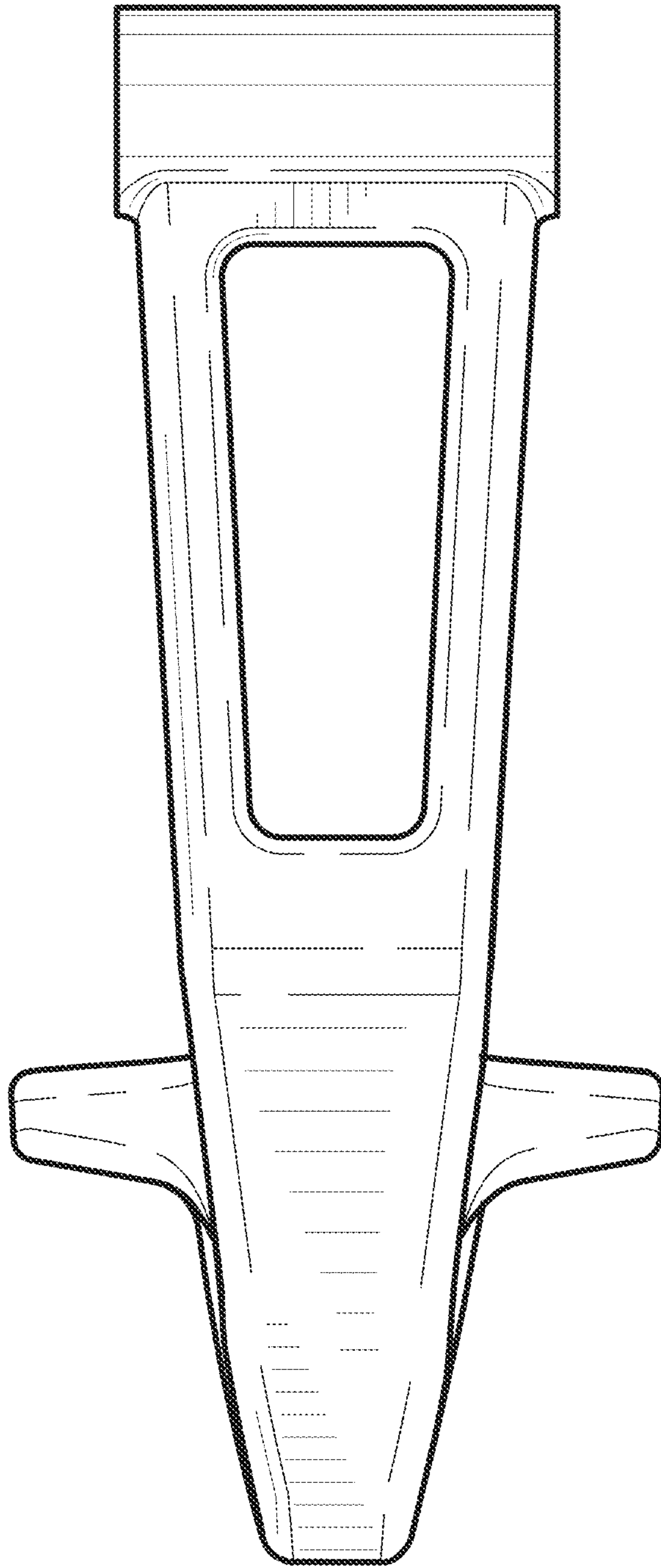


FIG. 4

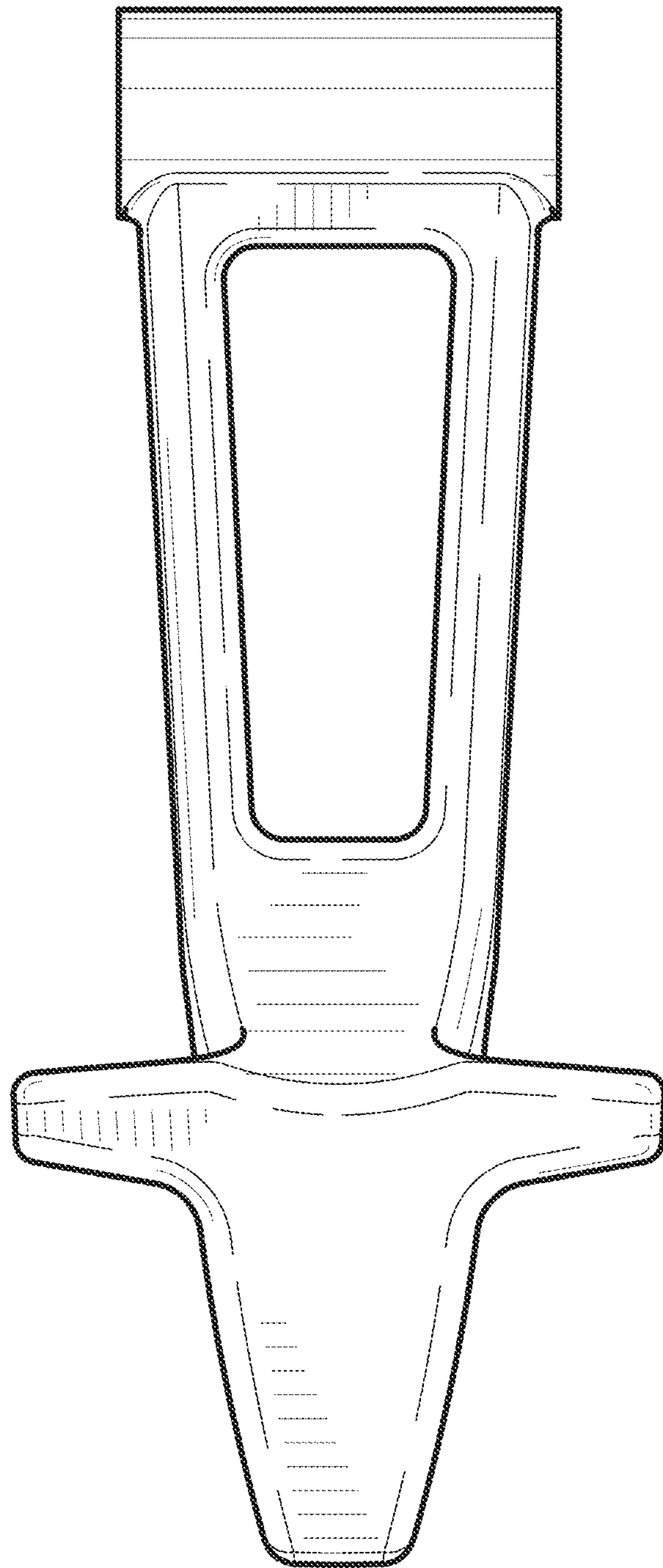


FIG. 5

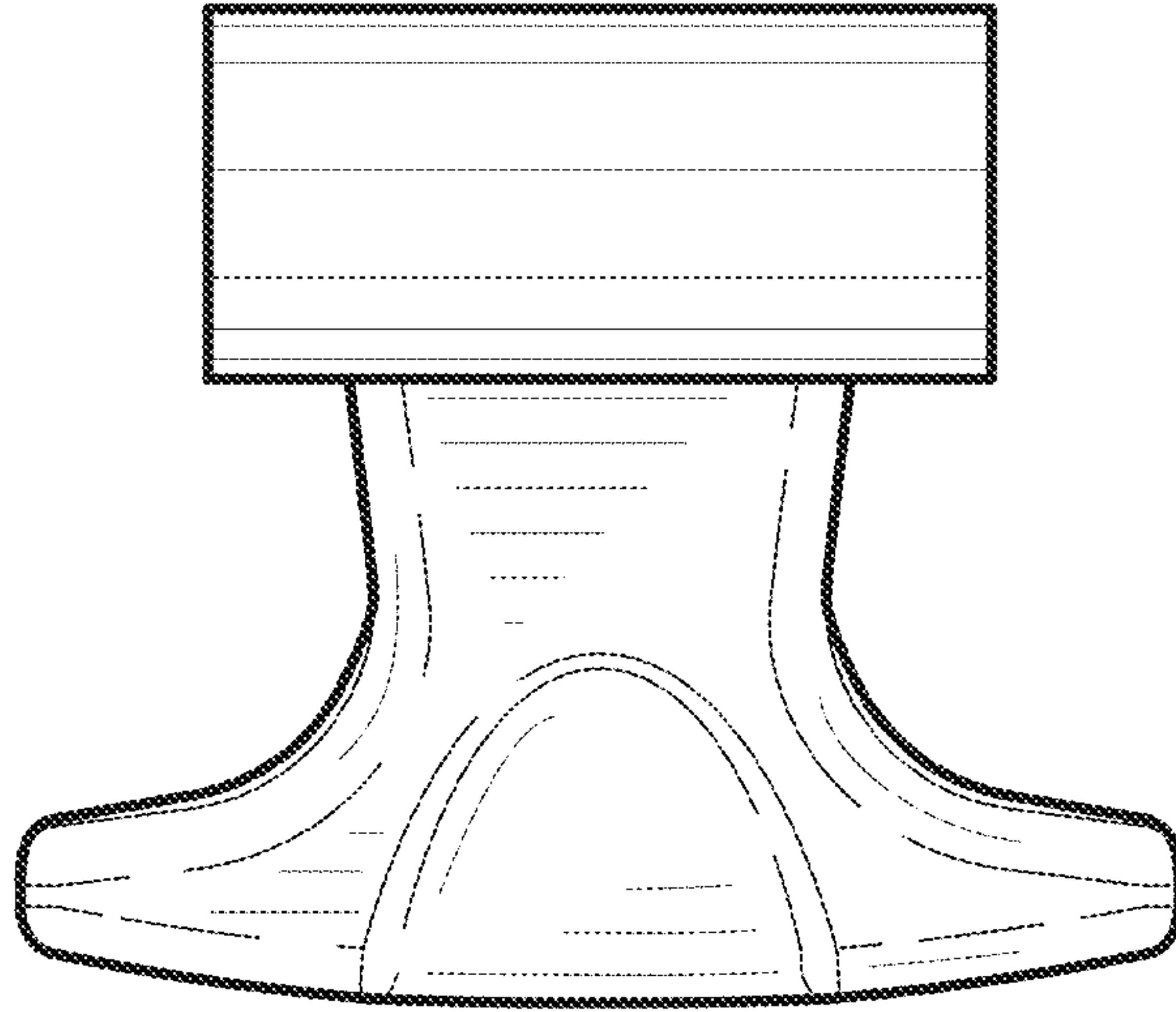


FIG. 6

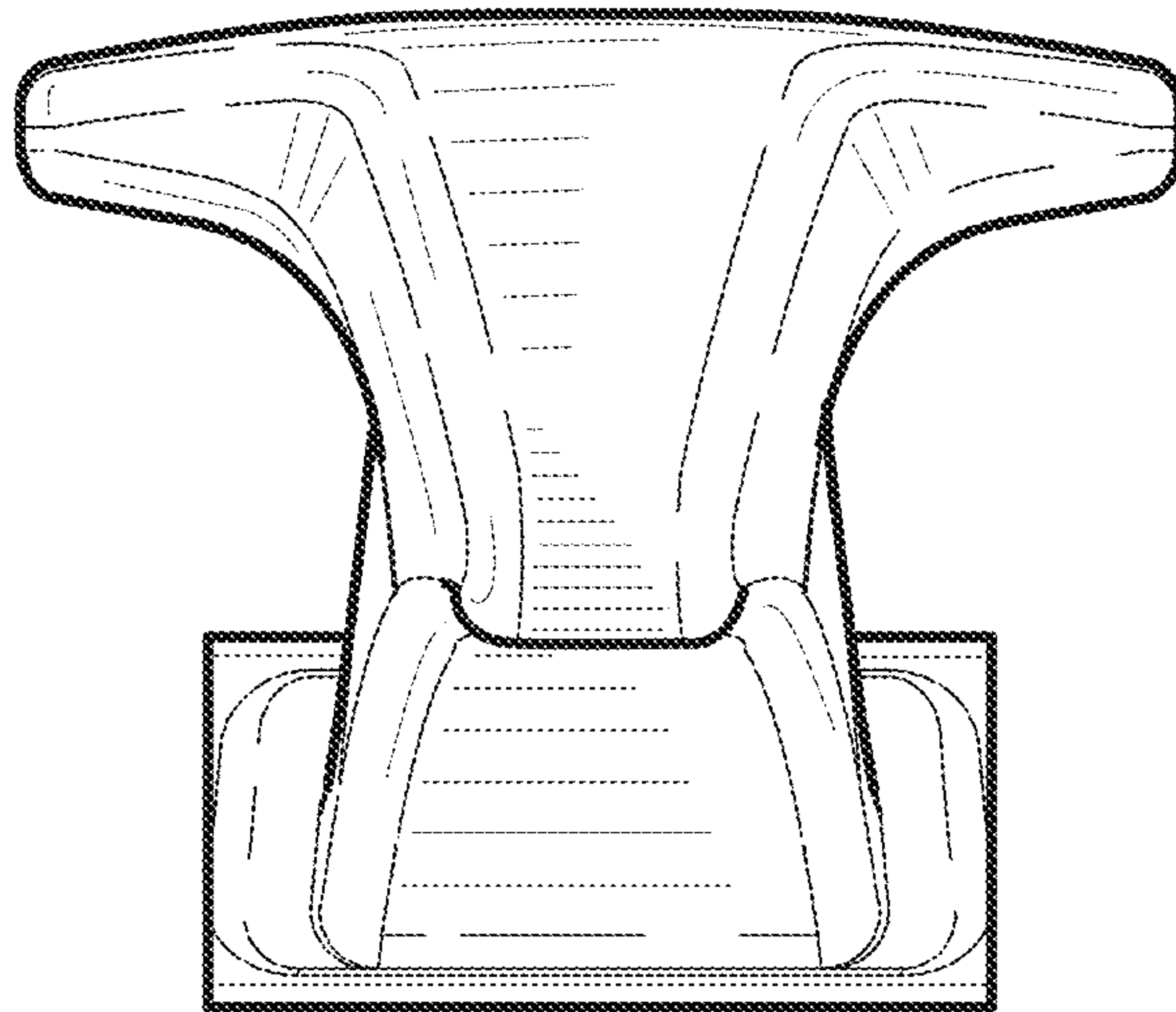


FIG. 7

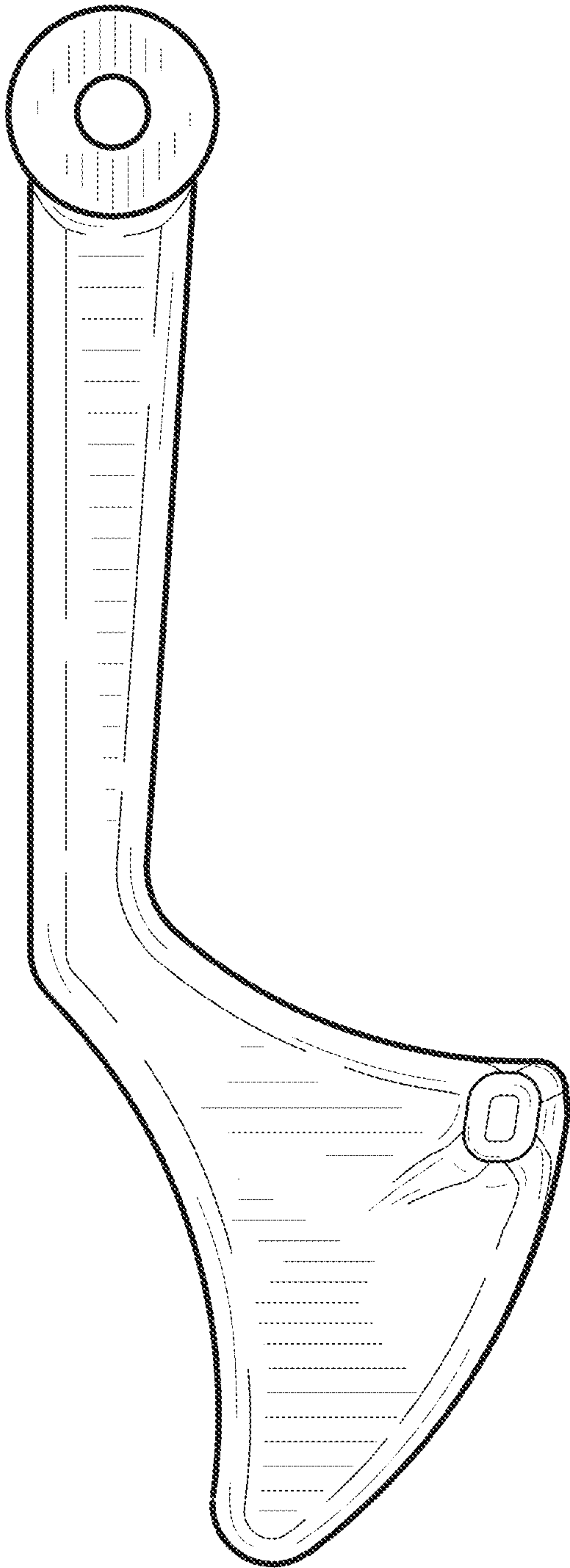


FIG. 8

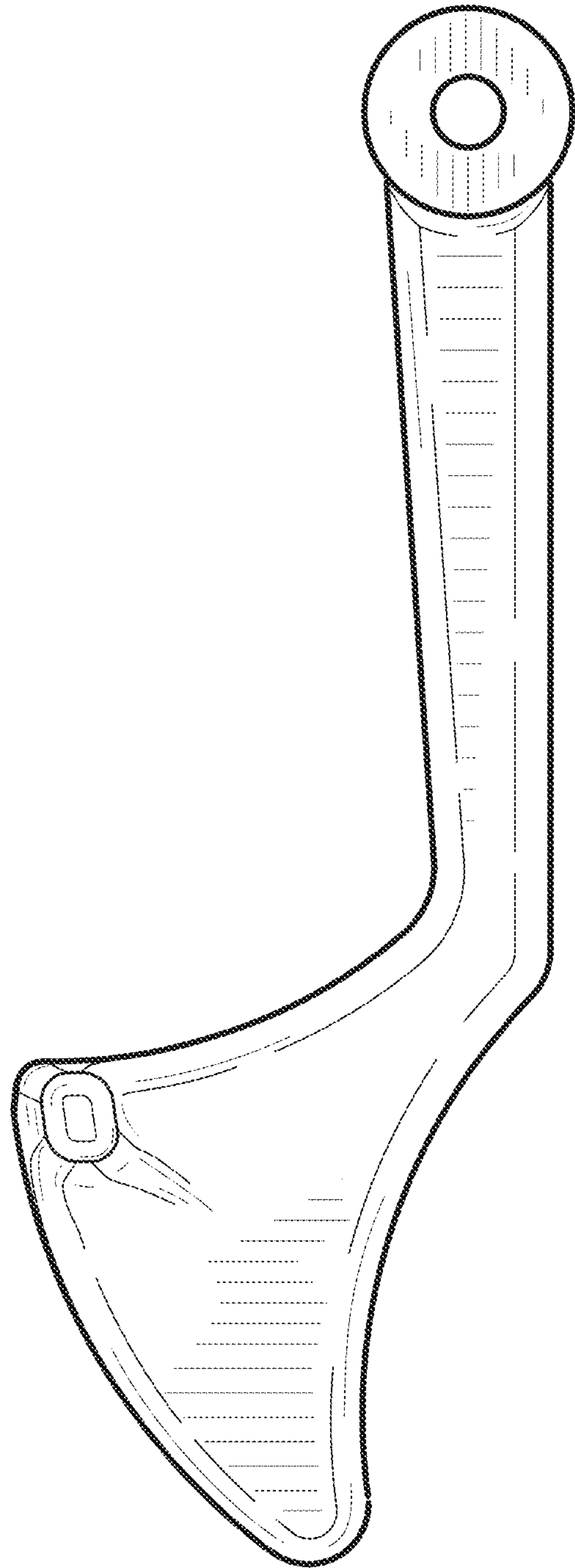


FIG. 9