



US00D945248S

(12) **United States Design Patent**  
**Sendin et al.**

(10) **Patent No.:** **US D945,248 S**  
(45) **Date of Patent:** **\*\* Mar. 8, 2022**

(54) **LOCK**  
(71) Applicant: **OJMAR, S.A.**, Elgoibar (ES)  
(72) Inventors: **Richard Sendin**, Elgoibar (ES); **Julien Boullie**, Elgoibar (ES)

D731,287 S \* 6/2015 Gokcebay ..... D8/331  
D733,521 S \* 7/2015 Sotes Delgado ..... D8/331  
D737,114 S \* 8/2015 Gokcebay ..... D8/330  
D764,893 S \* 8/2016 Gokcebay ..... D8/330  
9,536,359 B1 \* 1/2017 Gokcebay ..... E05B 47/06  
(Continued)

(73) Assignee: **OJMAR, S.A.**, Elgoibar (ES)

(\*\*) Term: **15 Years**

**FOREIGN PATENT DOCUMENTS**

(21) Appl. No.: **29/688,958**

CN 305243580 \* 10/2018  
CN 305220476 \* 1/2019  
(Continued)

(22) Filed: **Apr. 25, 2019**

(30) **Foreign Application Priority Data**

Oct. 26, 2018 (EM) ..... 005809860-001  
Feb. 21, 2019 (EM) ..... 006263695-001

(51) **LOC (13) Cl.** ..... **08-07**

(52) **U.S. Cl.**  
USPC ..... **D8/330**; D8/331

(58) **Field of Classification Search**  
USPC ..... D8/330-334, 336, 338, 343-346,  
D8/300-302, 306-329; 70/91, 277, 336,  
70/280

CPC ..... E05B 69/003; E05B 71/00; E05B 73/005;  
E05B 17/142; E05B 47/0011; E05B  
47/00; E05B 41/00; E05B 47/06; E05B  
47/0001; E05B 47/0615; E05B 47/0012;  
E05B 15/02; E05B 65/466; E05B 65/469;  
E05B 13/001; E05B 13/007; E05B 13/00;  
E05B 13/10; E05B 65/44; E05B 65/46;  
E05B 65/462; E05B 65/463; E05B  
65/461; E05B 65/464; E05B 51/00; E05B  
35/00; E05B 39/00; E05B 17/14; E05B  
2047/0086; B62H 5/001; Y10T 70/5155;  
Y10T 70/5199; A47F 3/00; A47F 3/005;  
A47F 3/007; A47F 7/024; G07C 9/00563

See application file for complete search history.

(56) **References Cited**

**U.S. PATENT DOCUMENTS**

D593,398 S \* 6/2009 Pelletier ..... D8/330  
D630,489 S \* 1/2011 Gratzki ..... D8/330

**OTHER PUBLICATIONS**

Code-a-Key, All-Weather Double Keypad, Date first available Jul. 30, 2014, [online]retrieved Mar. 3, 2021, available from [https://www.amazon.com/All-Weather-Mechanical-Keyless-Code-Key/dp/B00M8T70U4/ref=sr\\_1\\_7?dchild=1&keywords=Lockey+Digital+Door+Lock+M220+Surface+Mount+Deadbolt&qid=1614803709&s=hi&sr=1-7](https://www.amazon.com/All-Weather-Mechanical-Keyless-Code-Key/dp/B00M8T70U4/ref=sr_1_7?dchild=1&keywords=Lockey+Digital+Door+Lock+M220+Surface+Mount+Deadbolt&qid=1614803709&s=hi&sr=1-7) (Year: 2014).\*

(Continued)

*Primary Examiner* — Keli L Hill  
*Assistant Examiner* — Sara S Sahneh  
(74) *Attorney, Agent, or Firm* — Lucas & Mercanti, LLP

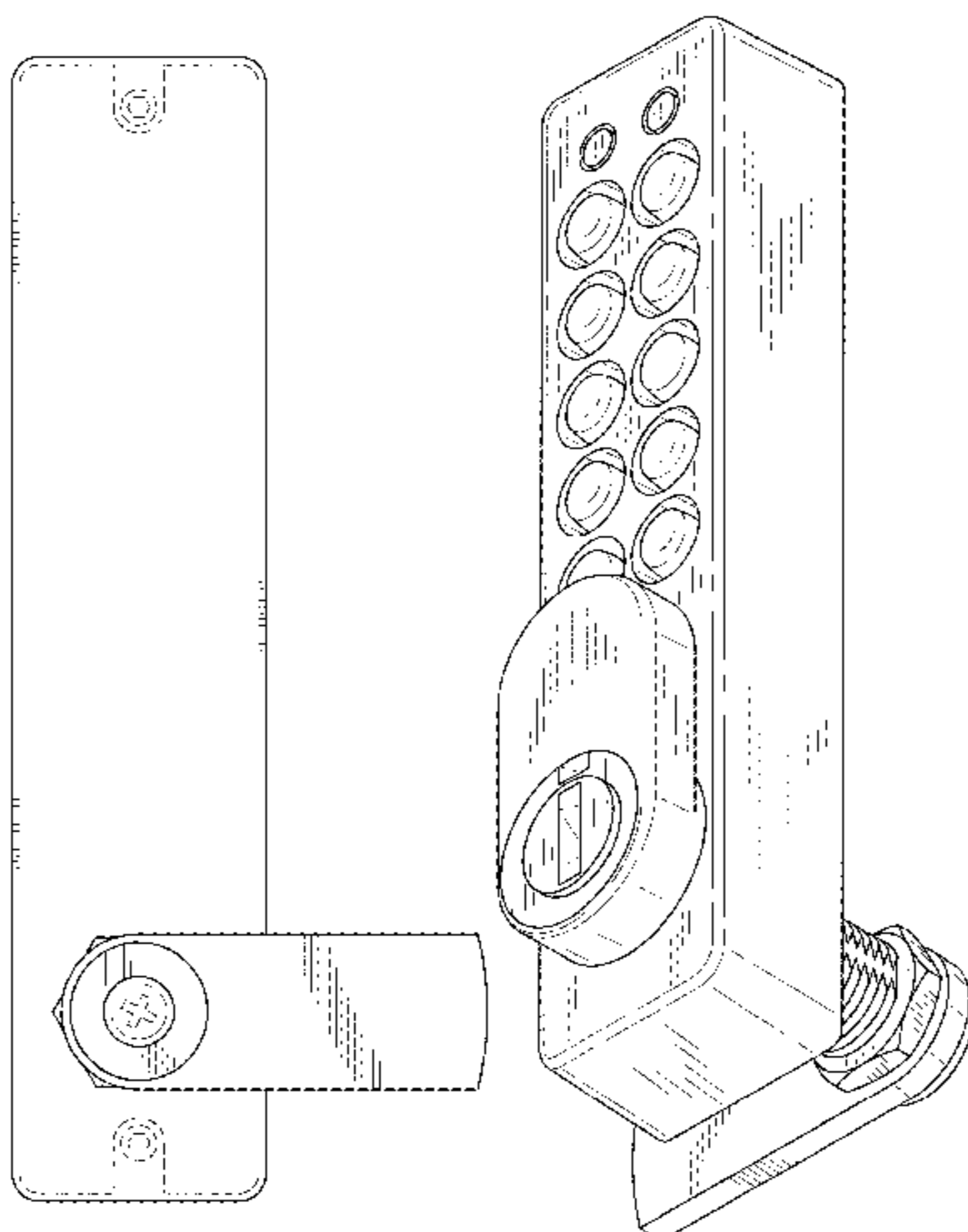
(57) **CLAIM**

The ornamental design for a lock, as shown and described.

**DESCRIPTION**

FIG. 1 is a back view of a lock showing my new design;  
FIG. 2 is a left side view thereof;  
FIG. 3 is a front view thereof;  
FIG. 4 is top view thereof;  
FIG. 5 is a right side view thereof;  
FIG. 6 is a front perspective view thereof; and,  
FIG. 7 is a bottom view thereof.

**1 Claim, 7 Drawing Sheets**



(56)

**References Cited**

U.S. PATENT DOCUMENTS

D804,279 S \* 12/2017 Gokcebay ..... D8/331  
 D832,676 S \* 11/2018 Gokcebay ..... D8/331  
 D916,577 S \* 4/2021 Min ..... D8/331  
 2007/0277571 A1\* 12/2007 Gokcebay ..... G07C 9/00666  
 70/278.1  
 2013/0298616 A1\* 11/2013 Ullrich ..... E05B 47/0012  
 70/278.1  
 2014/0318199 A1\* 10/2014 Gokcebay ..... E05C 3/042  
 70/278.1  
 2015/0211258 A1\* 7/2015 Gokcebay ..... E05C 1/04  
 70/278.1  
 2017/0221291 A1\* 8/2017 Gokcebay ..... G07C 9/00174  
 2021/0148138 A1\* 5/2021 Roatis ..... E05B 47/0001  
 2021/0207401 A1\* 7/2021 Cook ..... G07C 9/00174

FOREIGN PATENT DOCUMENTS

CN 305279405 \* 1/2019  
 CN 305279406 \* 1/2019  
 CN 305616272 \* 2/2020  
 GB 6007888 \* 2/2017

OTHER PUBLICATIONS

Mutex MX370 Mechanical Keyless, Date first available Dec. 11, 2019, [online]retrieved Mar. 3, 2021,available from [https://www.amazon.com/Mechanical-Combination-Standard-All-Weather-Warehouse/dp/B082MSCNQ8/ref=sr\\_1\\_31\\_sspa?dchild=1&keywords=Lockey+Digital+Door+Lock+M220+Surface+Mount+Deadbolt&qid=16148](https://www.amazon.com/Mechanical-Combination-Standard-All-Weather-Warehouse/dp/B082MSCNQ8/ref=sr_1_31_sspa?dchild=1&keywords=Lockey+Digital+Door+Lock+M220+Surface+Mount+Deadbolt&qid=16148) (Year: 2019).\*

\* cited by examiner

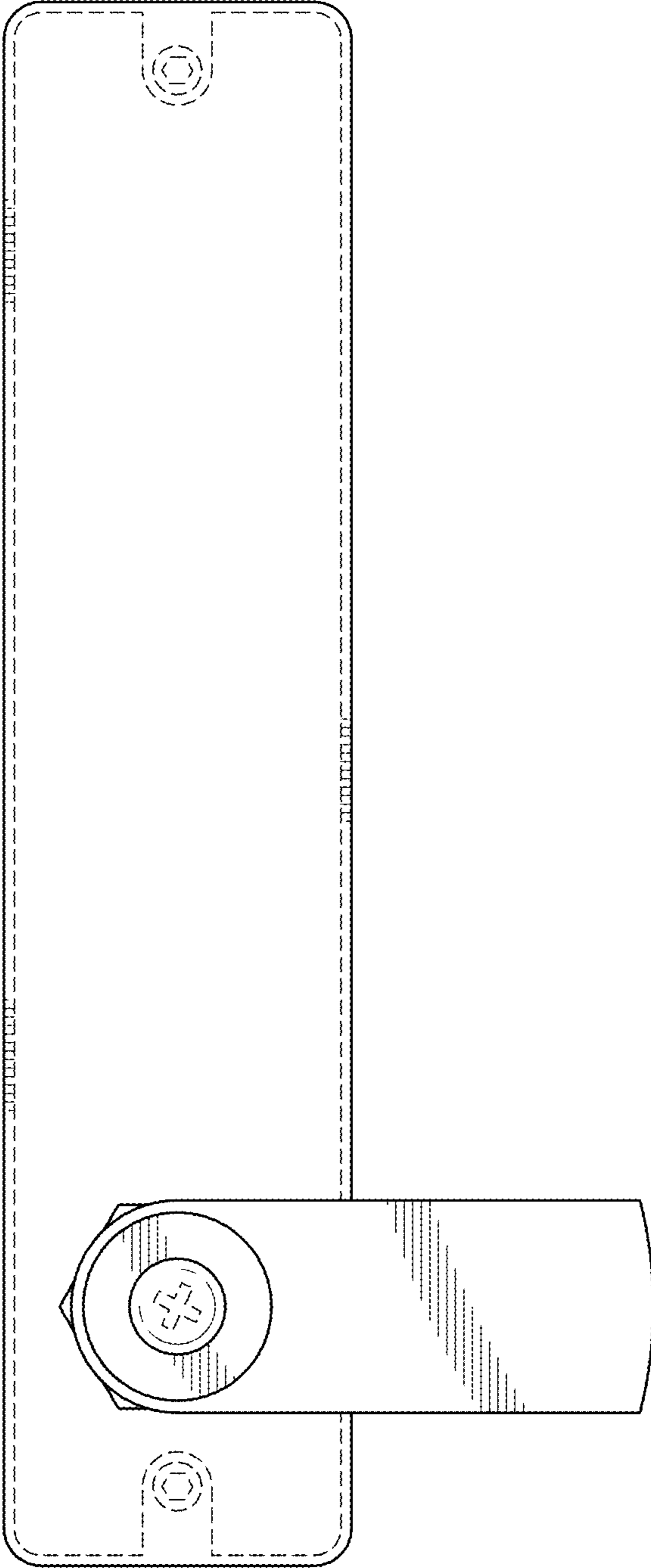


FIG. 1

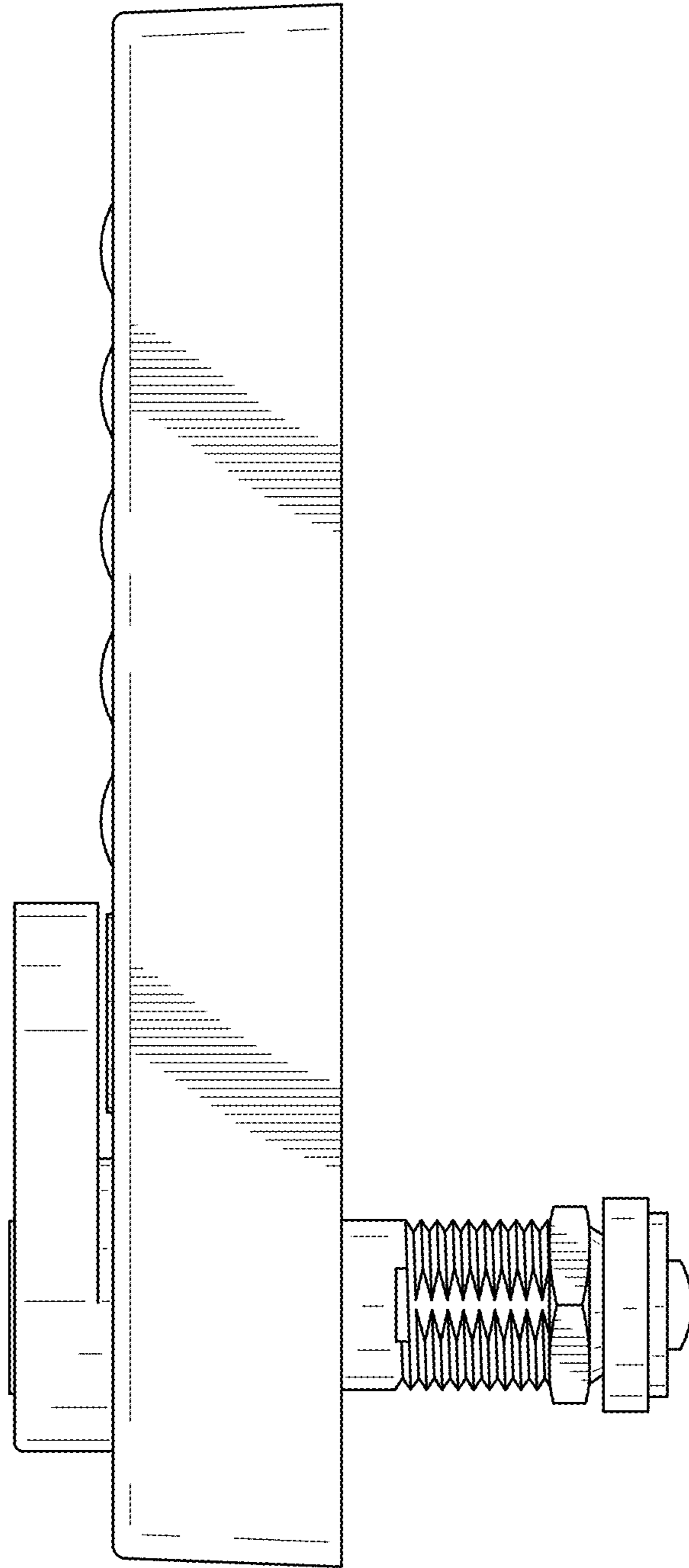


FIG. 2

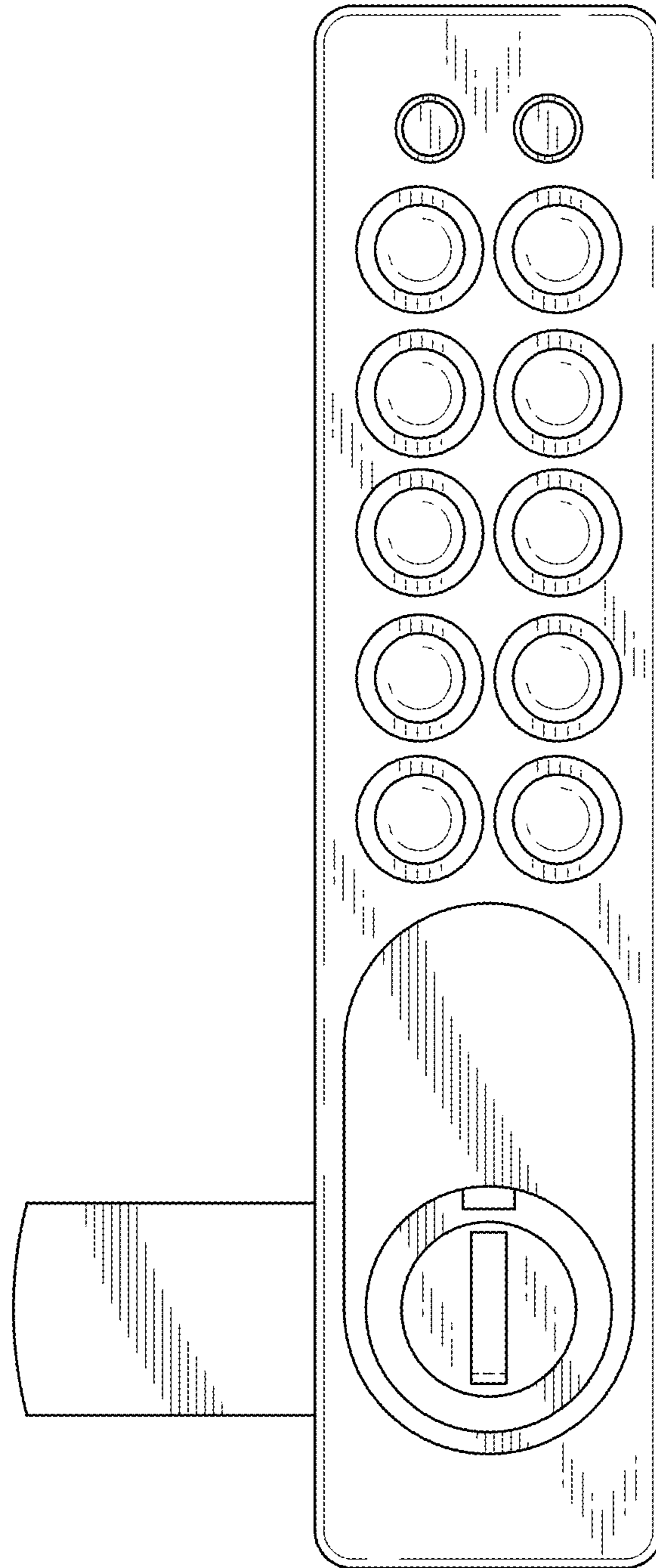


FIG. 3

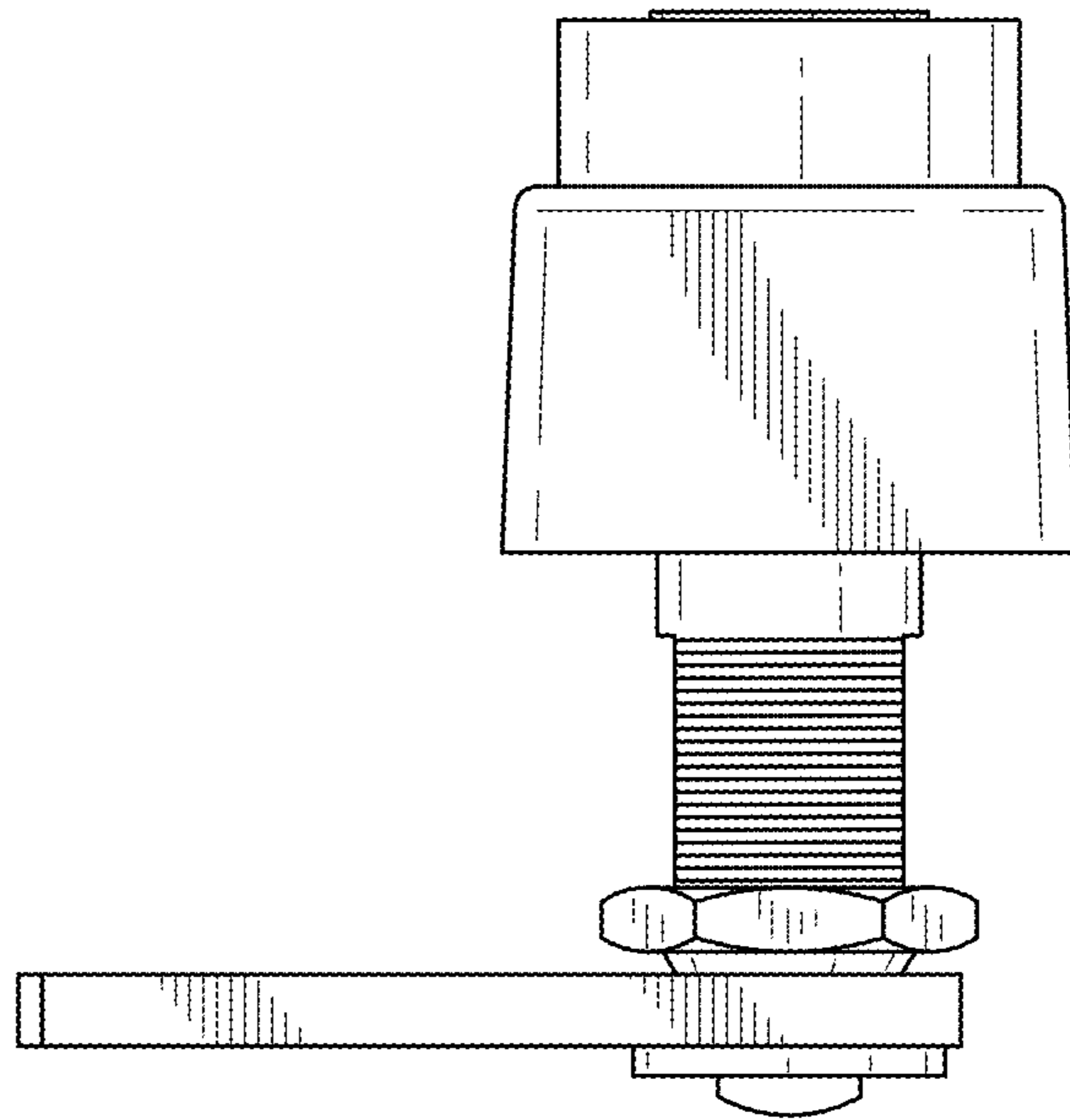


FIG. 4



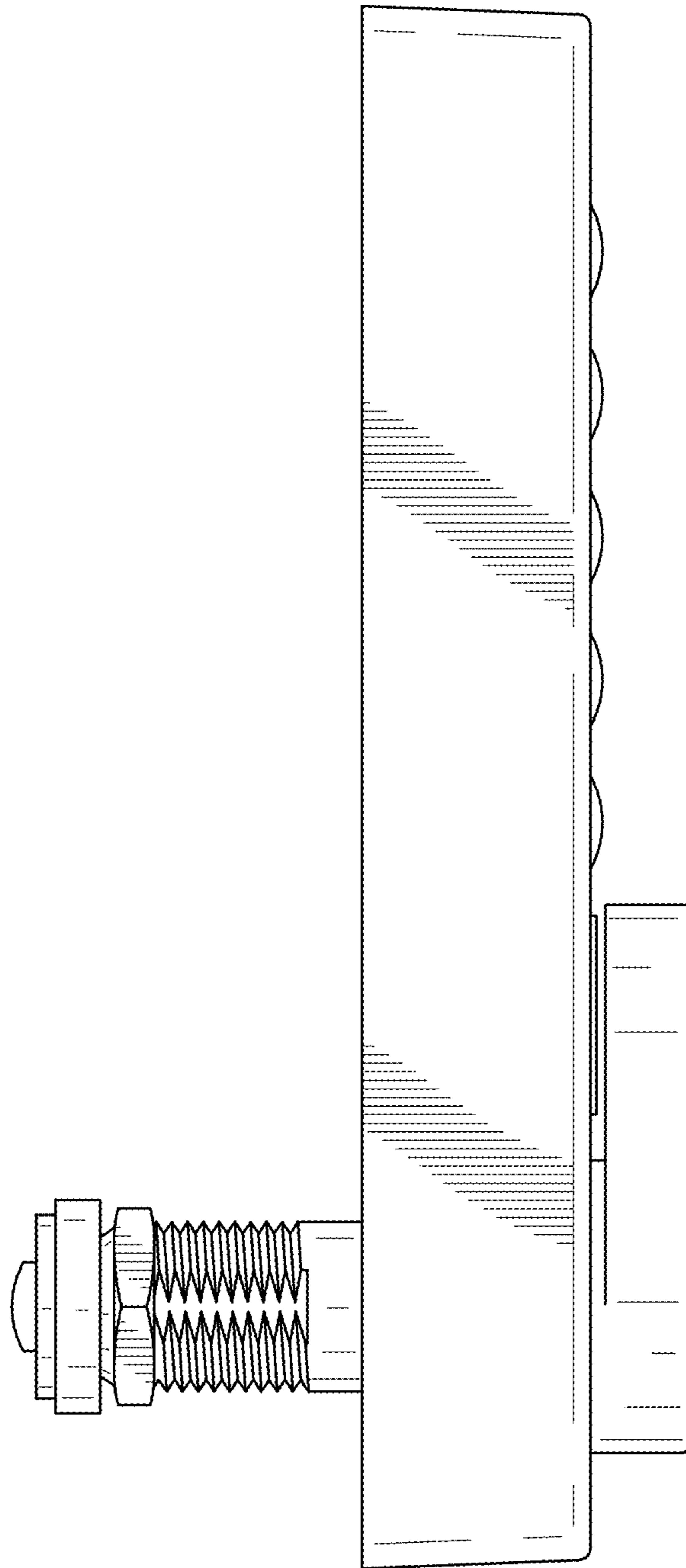


FIG. 5

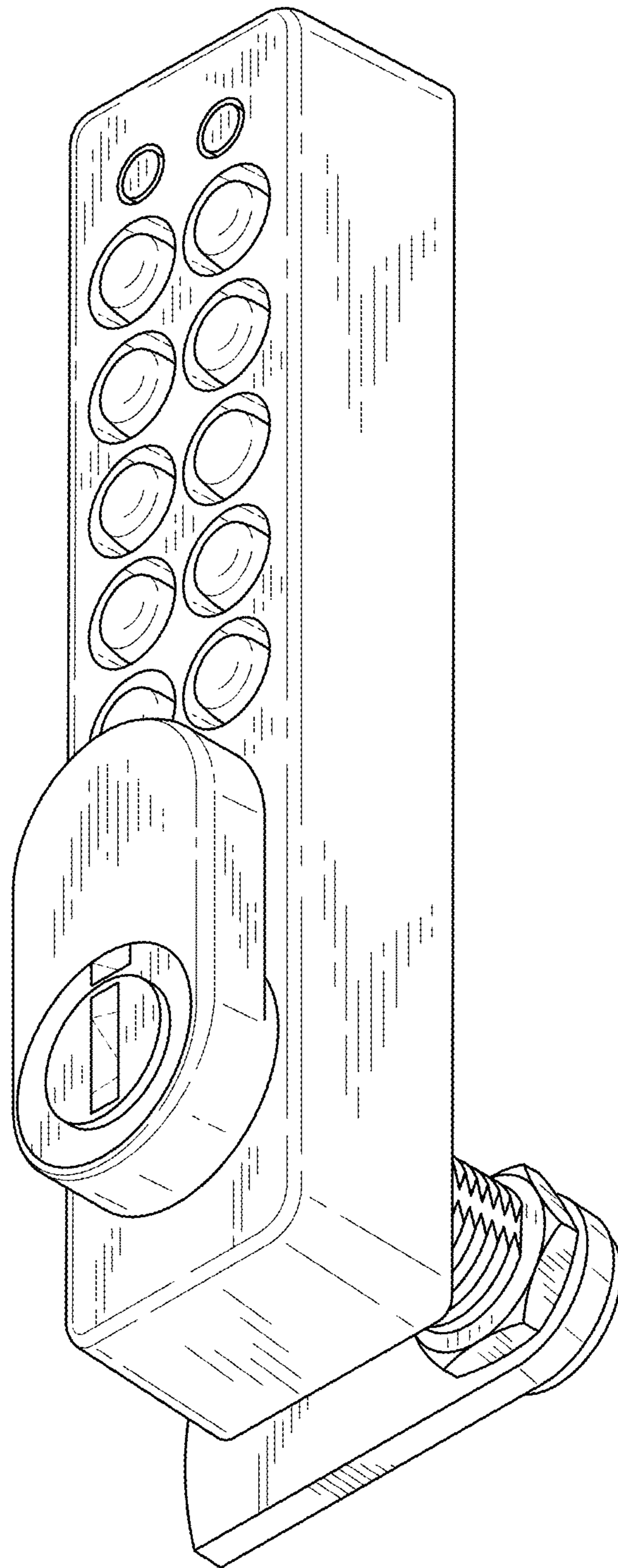


FIG. 6



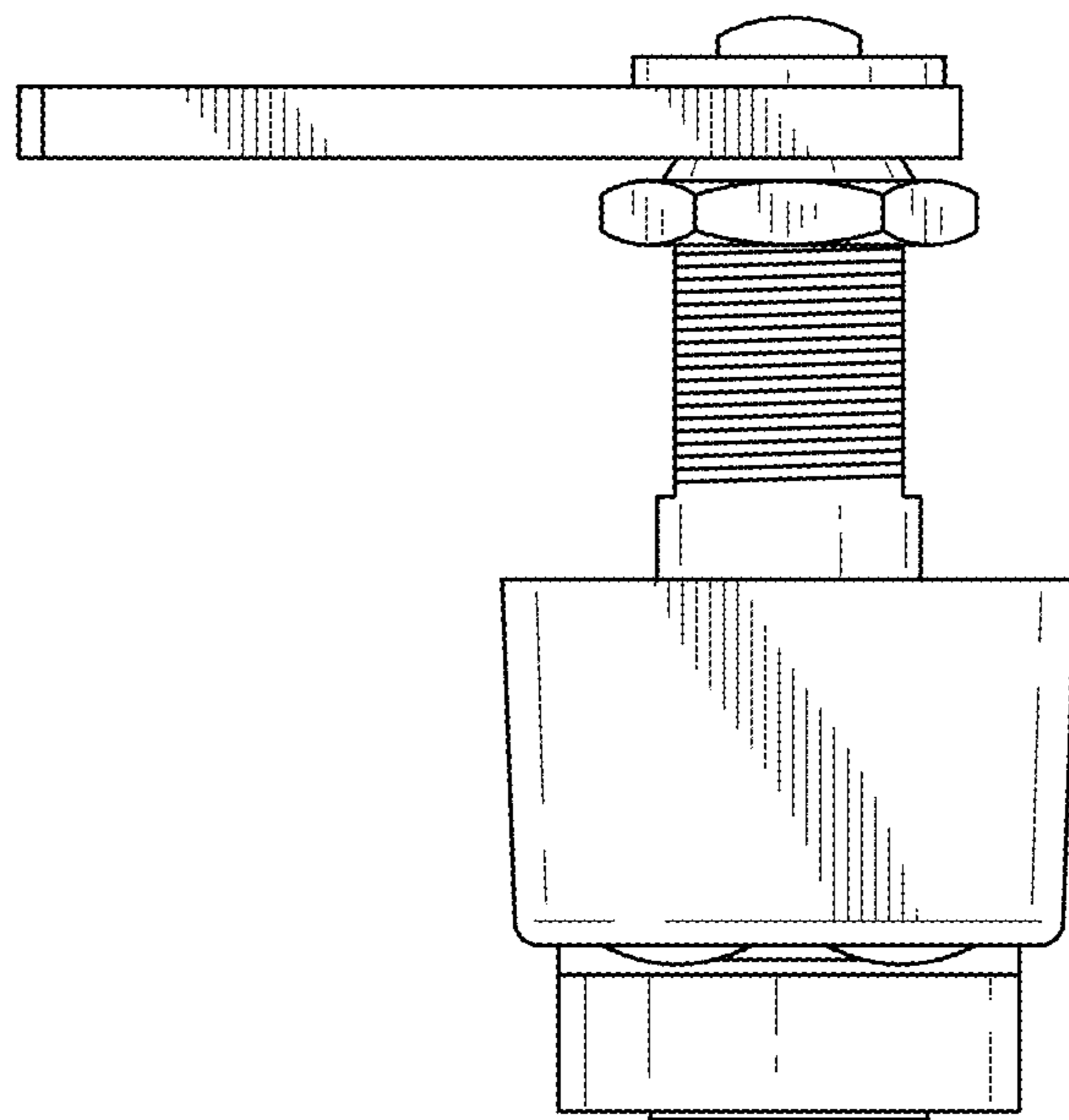


FIG. 7