



US00D945247S

(12) **United States Design Patent**
Tenhaken

(10) **Patent No.:** **US D945,247 S**

(45) **Date of Patent:** **** Mar. 8, 2022**

(54) **LOCKING DEVICE**
(71) Applicant: **Schuebo GmbH**, Kreuztal (DE)
(72) Inventor: **Stefan Tenhaken**, Siegen (DE)
(73) Assignee: **SCHUEBO GMBH**, Kreuztal (DE)
(**) Term: **15 Years**

D660,682 S * 5/2012 Mahaffey D8/330
D705,636 S * 5/2014 Rubin D8/85
D760,565 S * 7/2016 Tempelmeier D8/21
D779,296 S * 2/2017 Runnels B25F 1/00
D807,794 S * 1/2018 Guse D12/159
D807,795 S * 1/2018 Guse D12/159
9,931,740 B2 * 4/2018 Clifford B25B 23/0035
D849,936 S * 5/2019 Allard D24/129

(Continued)

(21) Appl. No.: **29/617,172**

FOREIGN PATENT DOCUMENTS

(22) Filed: **Sep. 12, 2017**

EP 1422365 B1 12/2014

(30) **Foreign Application Priority Data**

OTHER PUBLICATIONS

Mar. 14, 2017 (EP) 003799477-0001

Medienproduktion, Cube. "XKey." Produkte, ABSINA GmbH, 2016, <www.absina.de/index.php/produkte.html>.

(51) **LOC (13) Cl.** **08-07**

(Continued)

(52) **U.S. Cl.**
USPC **D8/330**

(58) **Field of Classification Search**
USPC ... D8/330, 331, 336, 338, 343, 344, 347, 29
CPC E05B 69/003; E05B 71/00; E05B 35/008;
B25F 1/04; B25B 13/56; B25B 13/005;
B25B 13/06
See application file for complete search history.

Primary Examiner — Manpreet S Matharu
Assistant Examiner — Yolanda Robinson
(74) *Attorney, Agent, or Firm* — Panitch Schwarze
Belisario & Nadel LLP

(57) **CLAIM**

(56) **References Cited**

The ornamental design for a locking device, as shown and described.

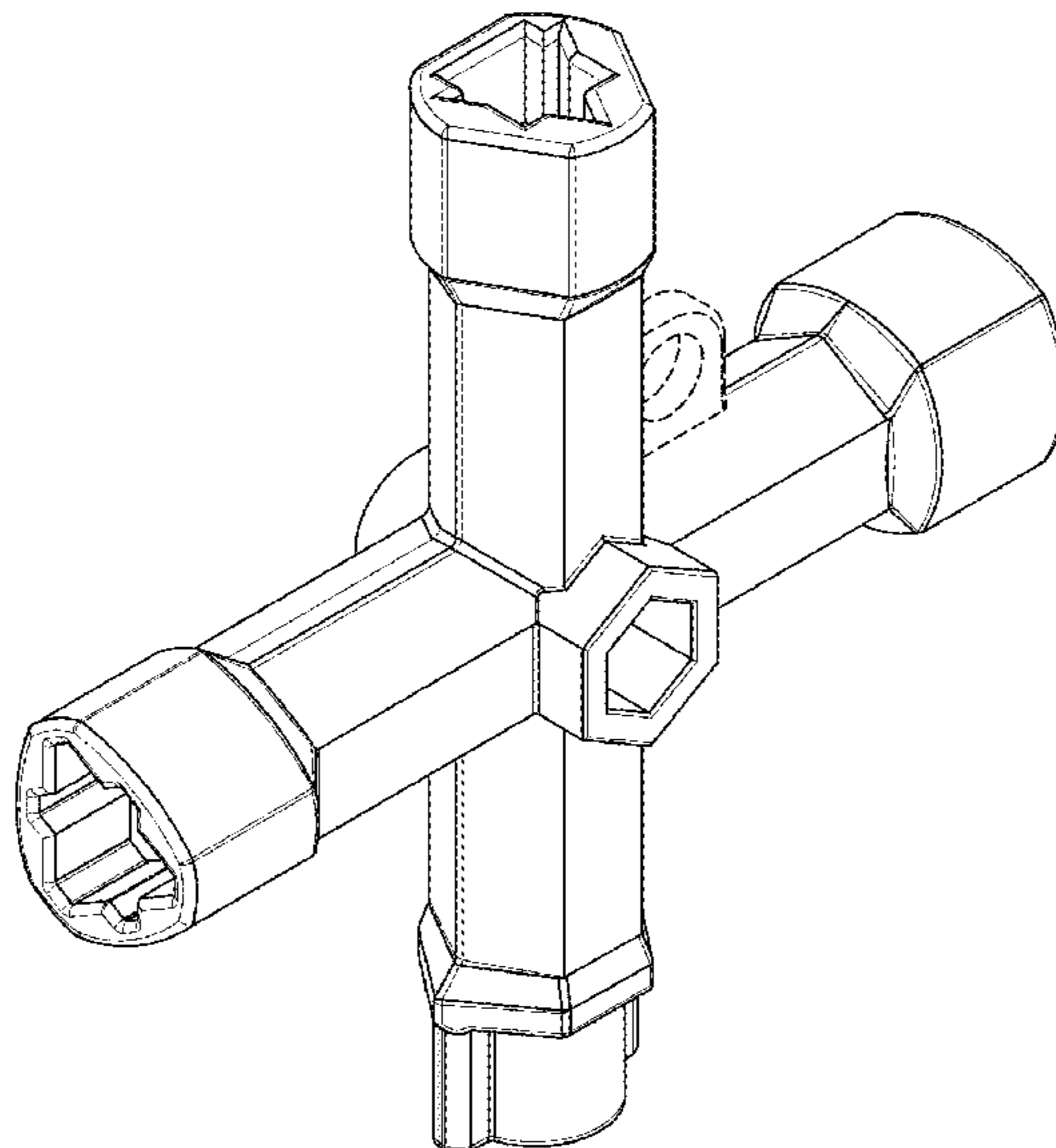
U.S. PATENT DOCUMENTS

DESCRIPTION

2,341,375 A * 2/1944 Hambleton B25B 23/18
362/119
4,236,266 A * 12/1980 Hannah B25B 13/005
7/100
D308,327 S * 6/1990 Klippel D8/105
4,939,960 A * 7/1990 Kinzli B25B 13/005
81/124.4
5,020,398 A * 6/1991 Leu B25B 13/005
81/124.4
5,186,083 A * 2/1993 Hsiao B25B 13/06
81/124.4
D344,664 S * 3/1994 Malkinson D8/85
D575,122 S * 8/2008 Correa D8/25

FIG. 1 is a rear view of a locking device in my new design; FIG. 2 is a front view thereof; FIG. 3 is a right side view thereof; FIG. 4 is a left side view thereof; FIG. 5 is a bottom view thereof; FIG. 6 is a top view thereof; and, FIG. 7 is a bottom perspective view thereof. The broken lines shown in the locking device are for portions that form no part of the claimed design.

1 Claim, 7 Drawing Sheets



(56)

References Cited

U.S. PATENT DOCUMENTS

D867,109 S * 11/2019 Piskur D8/358
10,780,555 B2 * 9/2020 Putsch B25B 13/005
2006/0117914 A1 * 6/2006 Huan B25B 13/005
81/124.4
2006/0236821 A1 * 10/2006 Liao B25B 13/005
81/124.4
2010/0011915 A1 * 1/2010 Badger B25B 13/06
81/60
2011/0179914 A1 * 7/2011 Hsu B25B 13/06
81/124.4
2013/0014616 A1 * 1/2013 Putsch B25F 1/04
81/121.1
2014/0331824 A1 * 11/2014 Cumma B25B 13/56
81/124.5
2017/0014980 A1 * 1/2017 Doroslovac B25B 13/08
2017/0113339 A1 * 4/2017 Li B25G 1/005
2017/0144280 A1 * 5/2017 Shyu B25G 1/005
2017/0173767 A1 * 6/2017 Chuang B25B 13/48
2017/0232590 A1 * 8/2017 Clifford B25B 13/06
81/437
2020/0246956 A1 * 8/2020 Moufawad B25B 13/56

OTHER PUBLICATIONS

Gustav Putsch KG, C. "KNIPEX—Die Zangenmarke.—Produkte."
Produkte, KNIPEX—Die Zangenmarke, <www.knipex.de/index.php?id=1216&L=0&page=group_detail&parentID=1813&groupID=2015&artID=32451>.

* cited by examiner

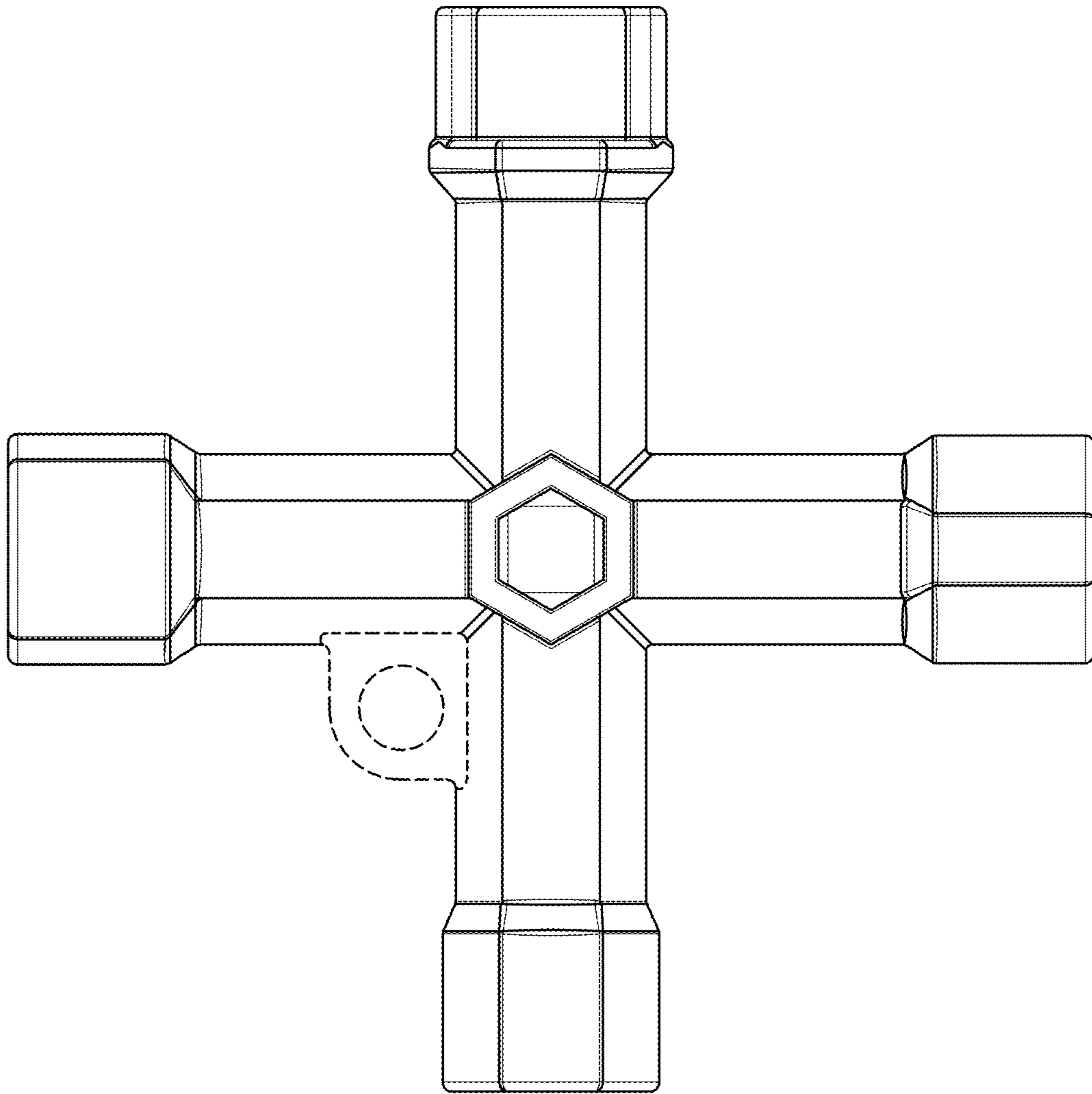


FIG. 1

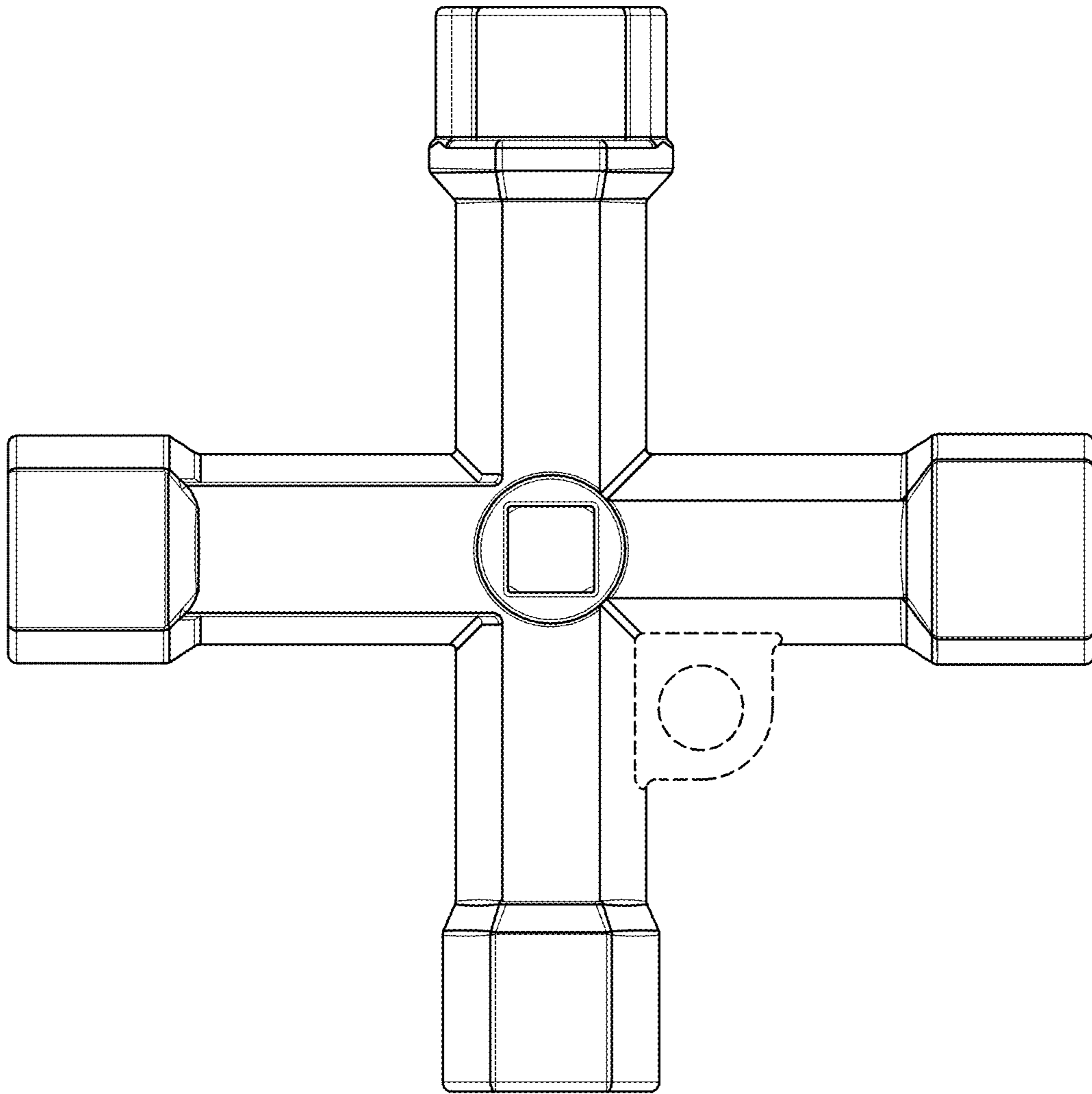


FIG. 2

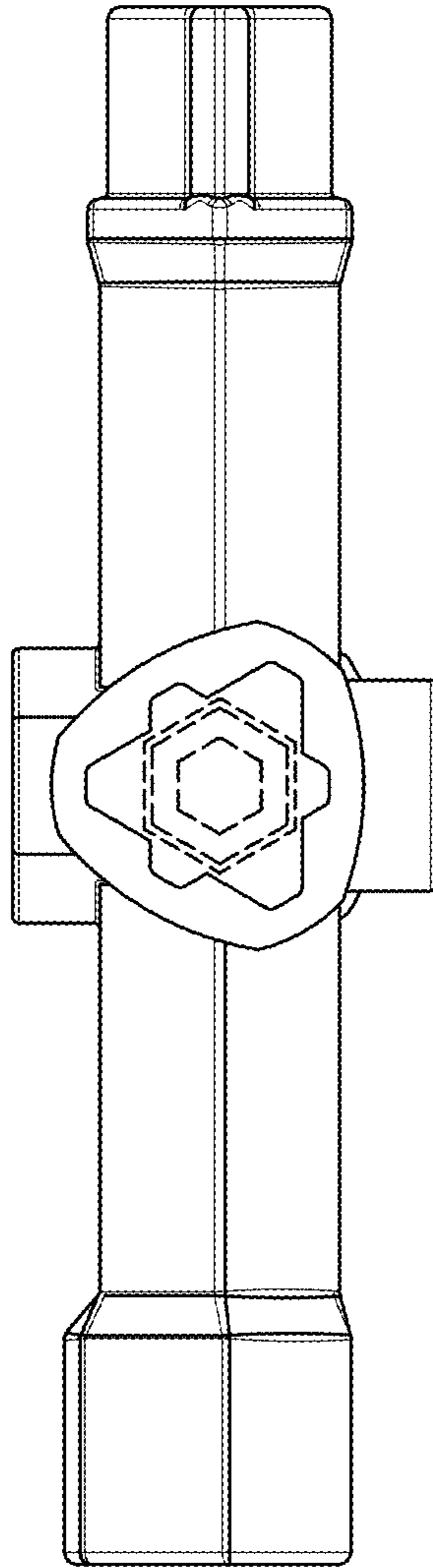


FIG. 3

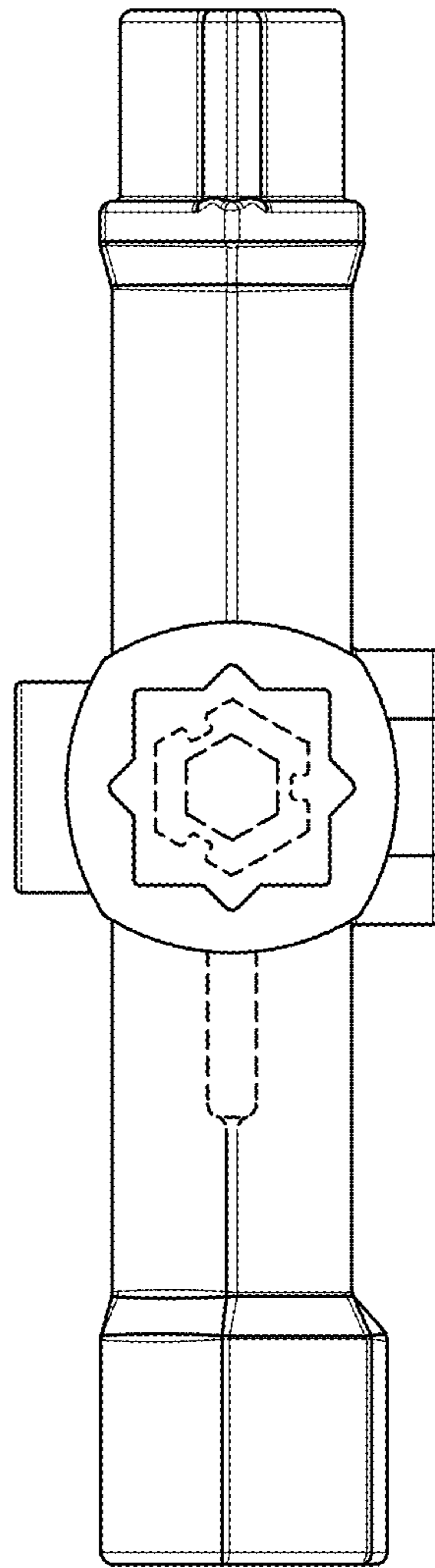


FIG. 4

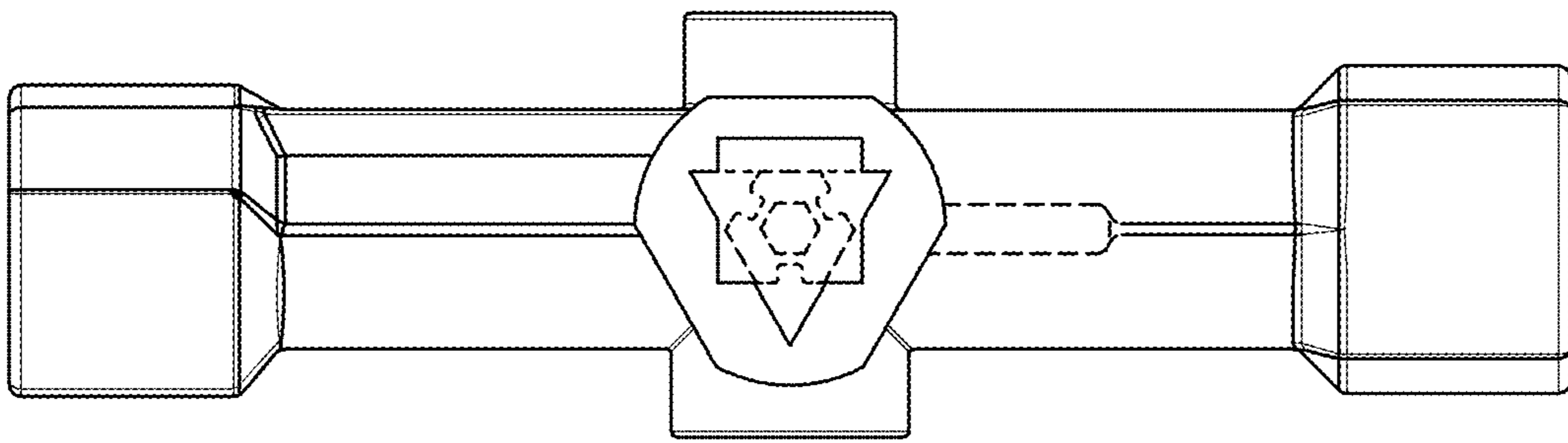


FIG. 5

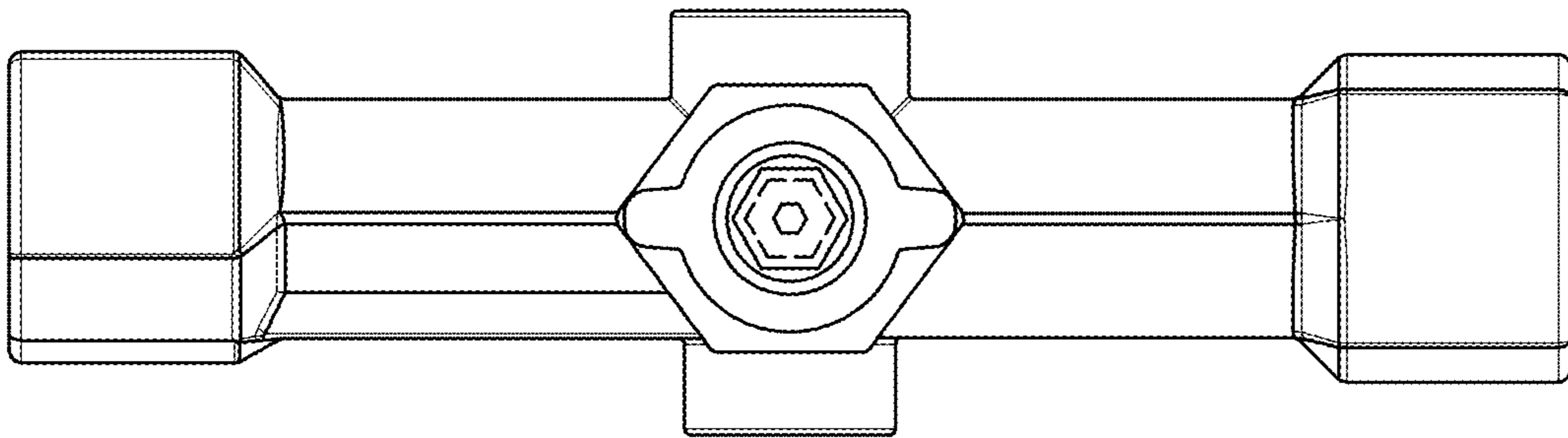


FIG. 6

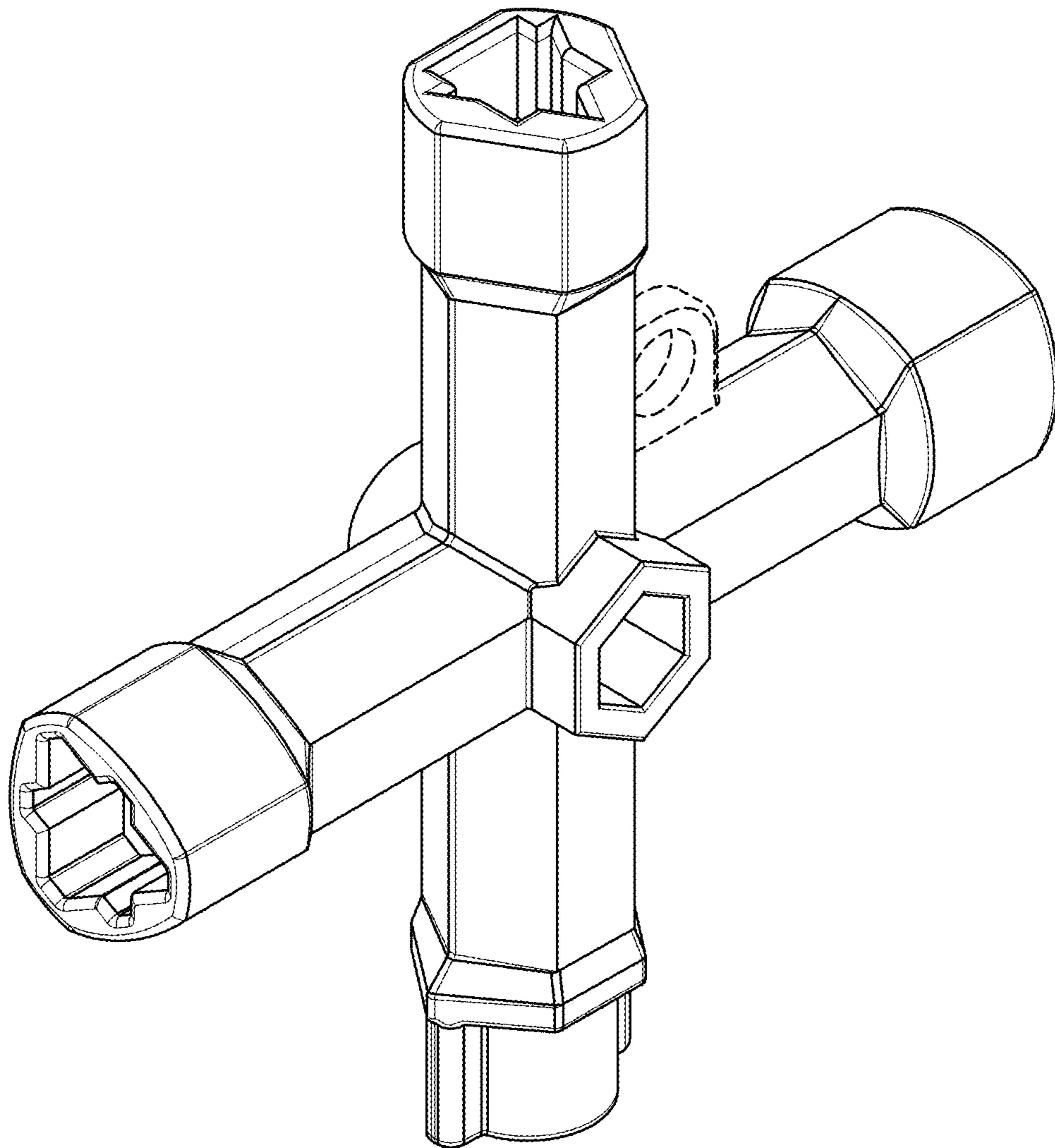


FIG. 7