



US00D945246S

(12) **United States Design Patent**
Michalski

(10) **Patent No.:** **US D945,246 S**
(45) **Date of Patent:** **** Mar. 8, 2022**

(54) **PULL HANDLE**
(71) Applicant: **Franz Schneider Brakel GmbH + Co KG, Brakel (DE)**
(72) Inventor: **Markus Michalski, Willebadessen (DE)**
(73) Assignee: **Franz Schneider Brakel GmbH + Co KG, Brakel (DE)**
(**) Term: **15 Years**
(21) Appl. No.: **29/753,623**
(22) Filed: **Oct. 1, 2020**
(30) **Foreign Application Priority Data**

May 5, 2020 (EM) 007871777

(51) **LOC (13) Cl.** **08-06**

(52) **U.S. Cl.**
USPC **D8/308**

(58) **Field of Classification Search**
USPC D8/300-302, 307, 308, 321, 396
CPC Y10T 16/459; Y10T 16/469; Y10T 16/44;
Y10T 16/4713; Y10T 16/4559; Y10T
16/476; Y10T 29/49876; Y10T 29/49826;
Y10T 29/49947; Y10T 29/49948; Y10T
29/49963; B25G 3/20; B25G 3/28; E05B
1/00

See application file for complete search history.

(56) **References Cited**

U.S. PATENT DOCUMENTS

D178,859 S * 10/1956 Bell D8/308
3,121,907 A * 2/1964 Stebbins E05B 1/0053
16/412

4,039,131 A * 8/1977 Perrault F16L 3/08
248/73
4,223,931 A * 9/1980 Neary E05B 1/0053
16/413
D315,091 S * 3/1991 Embree D8/367
D515,906 S * 2/2006 Strickland D8/300
7,520,476 B2 * 4/2009 Caveney H02G 3/0456
248/59
7,975,352 B2 * 7/2011 Landin E05B 1/0053
16/413
8,448,298 B2 * 5/2013 Rothschild E05B 1/0053
16/413
D793,204 S * 8/2017 Darmali D8/321
2008/0086842 A1 * 4/2008 Dayton E05B 1/0053
16/412
2021/0045519 A1 * 2/2021 Chen B08B 1/005
2021/0205955 A1 * 7/2021 Ross B25G 1/005

* cited by examiner

Primary Examiner — Lauren R Calve

(74) *Attorney, Agent, or Firm* — Collard & Roe, P.C.

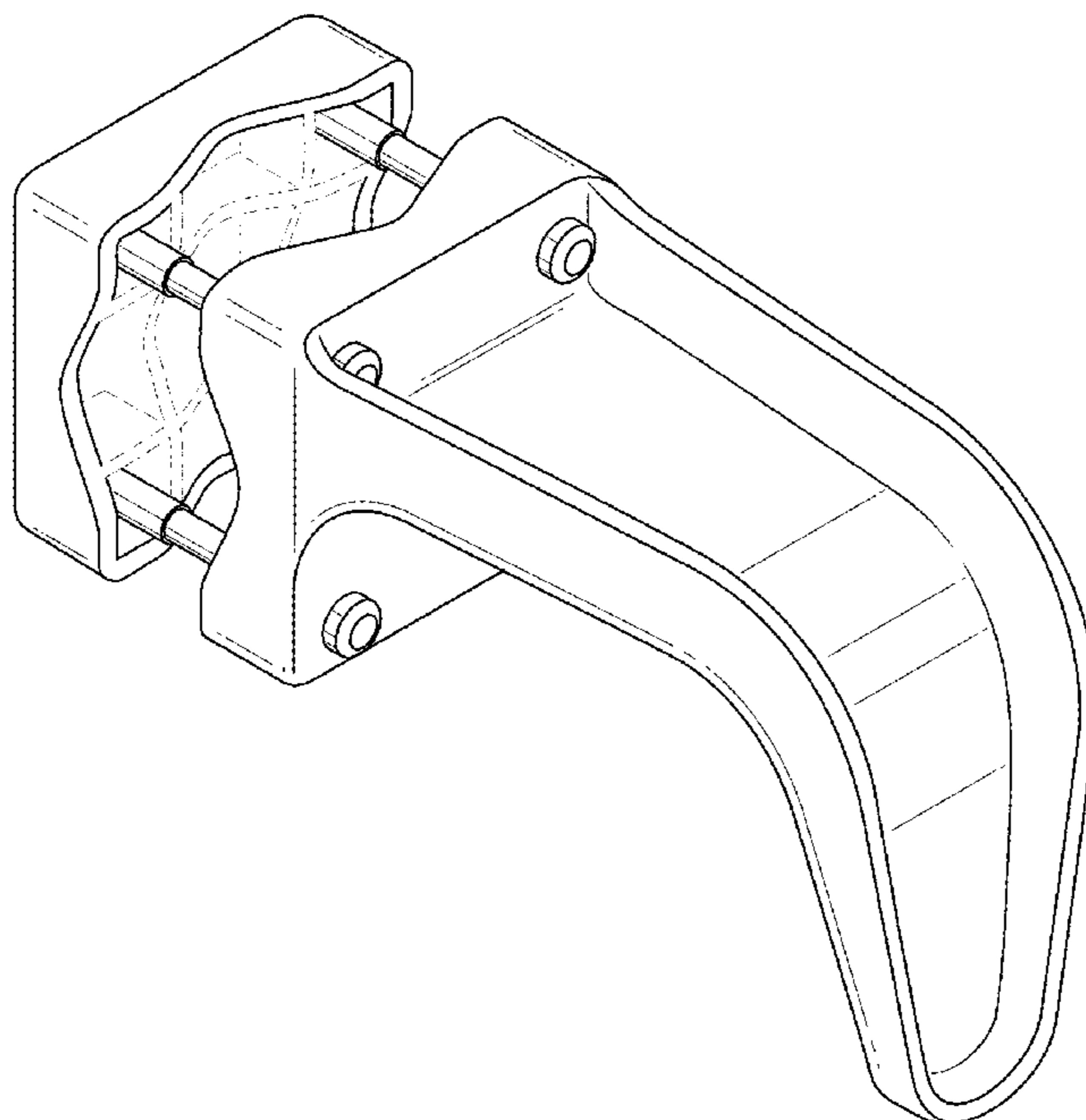
(57) **CLAIM**

The ornamental design for a pull handle, as shown and described.

DESCRIPTION

FIG. 1 is a top, front and left side perspective view of my design for a pull handle;
FIG. 2 is a left side view thereof;
FIG. 3 is a front view thereof;
FIG. 4 is a right side view thereof;
FIG. 5 is a rear view thereof;
FIG. 6 is a top view thereof;
FIG. 7 is a bottom view thereof; and,
FIG. 8 is a rear, top and right side perspective view thereof.
The features shown in broken lines show portions of the pull handle that form no part of the claimed design.

1 Claim, 5 Drawing Sheets



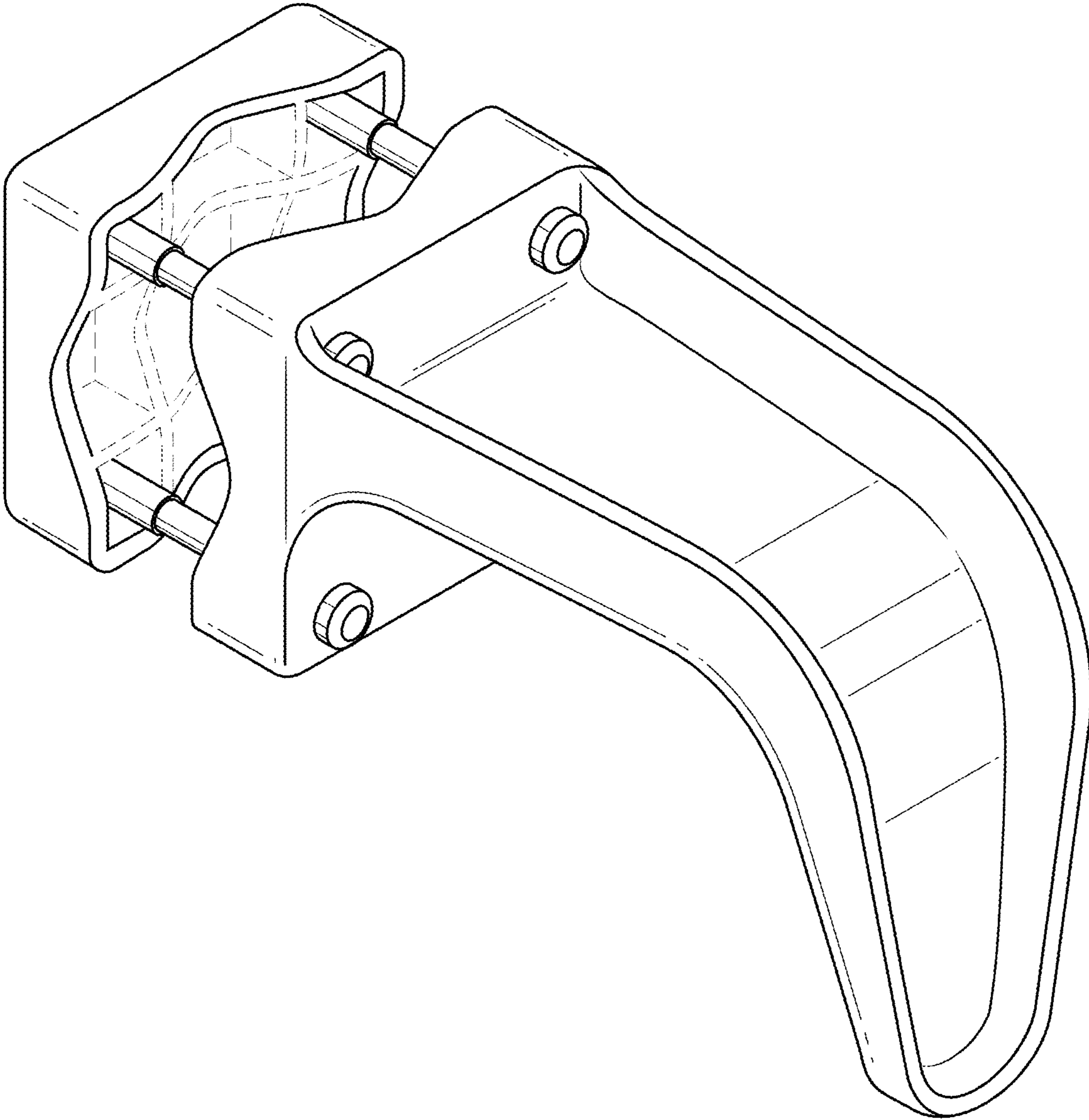


FIG. 1

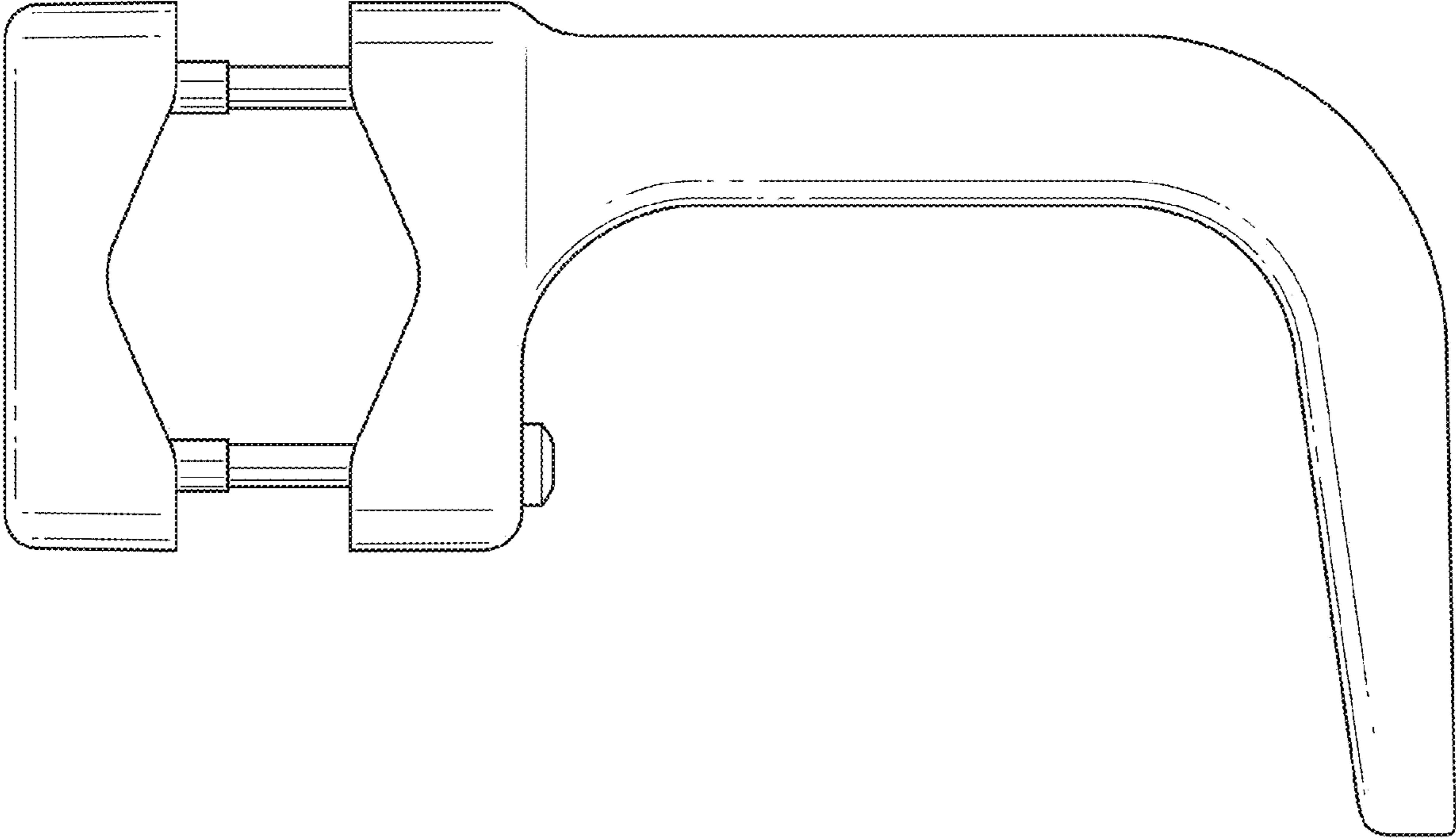


FIG. 2

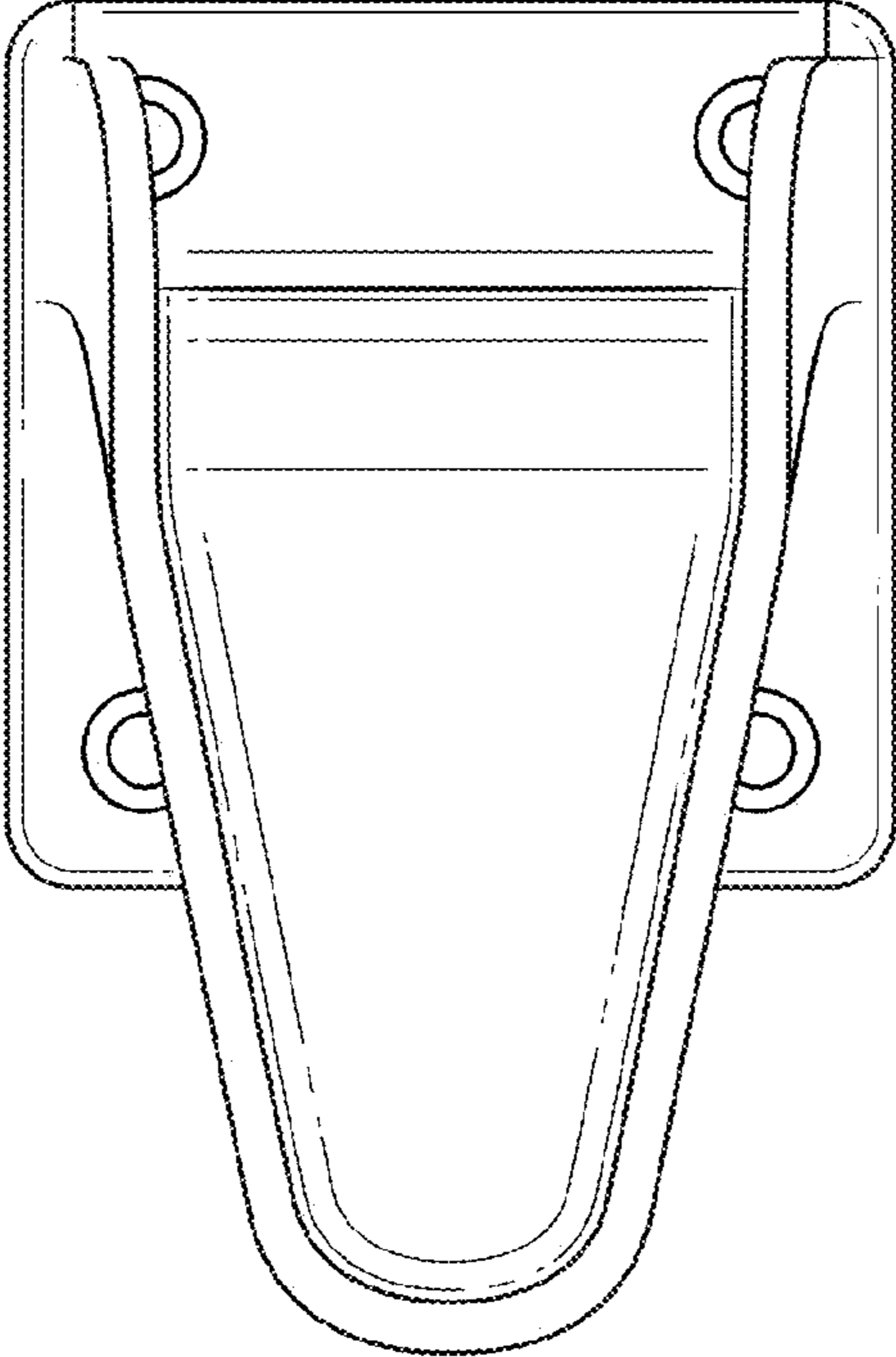


FIG. 3

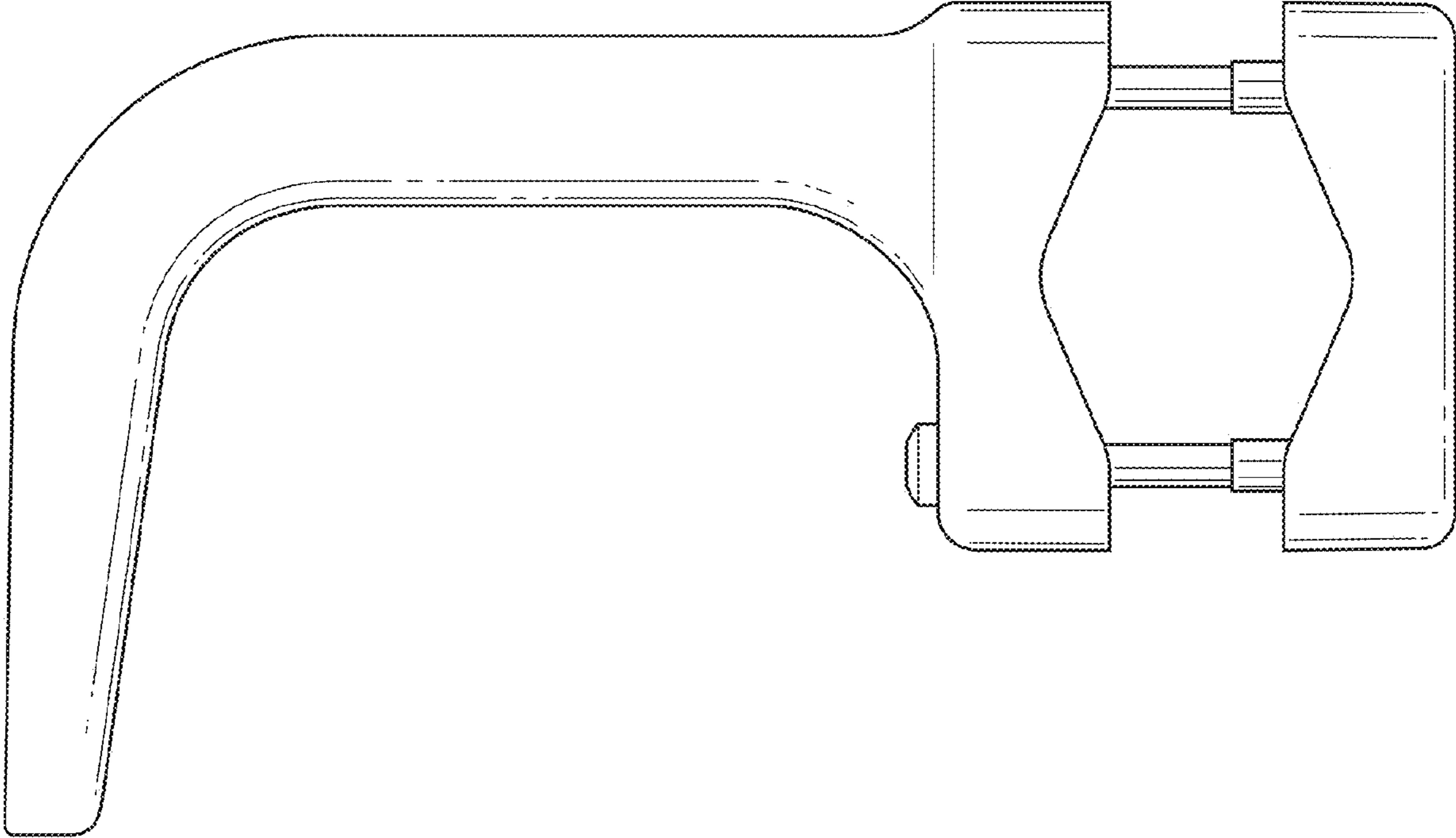


FIG. 4

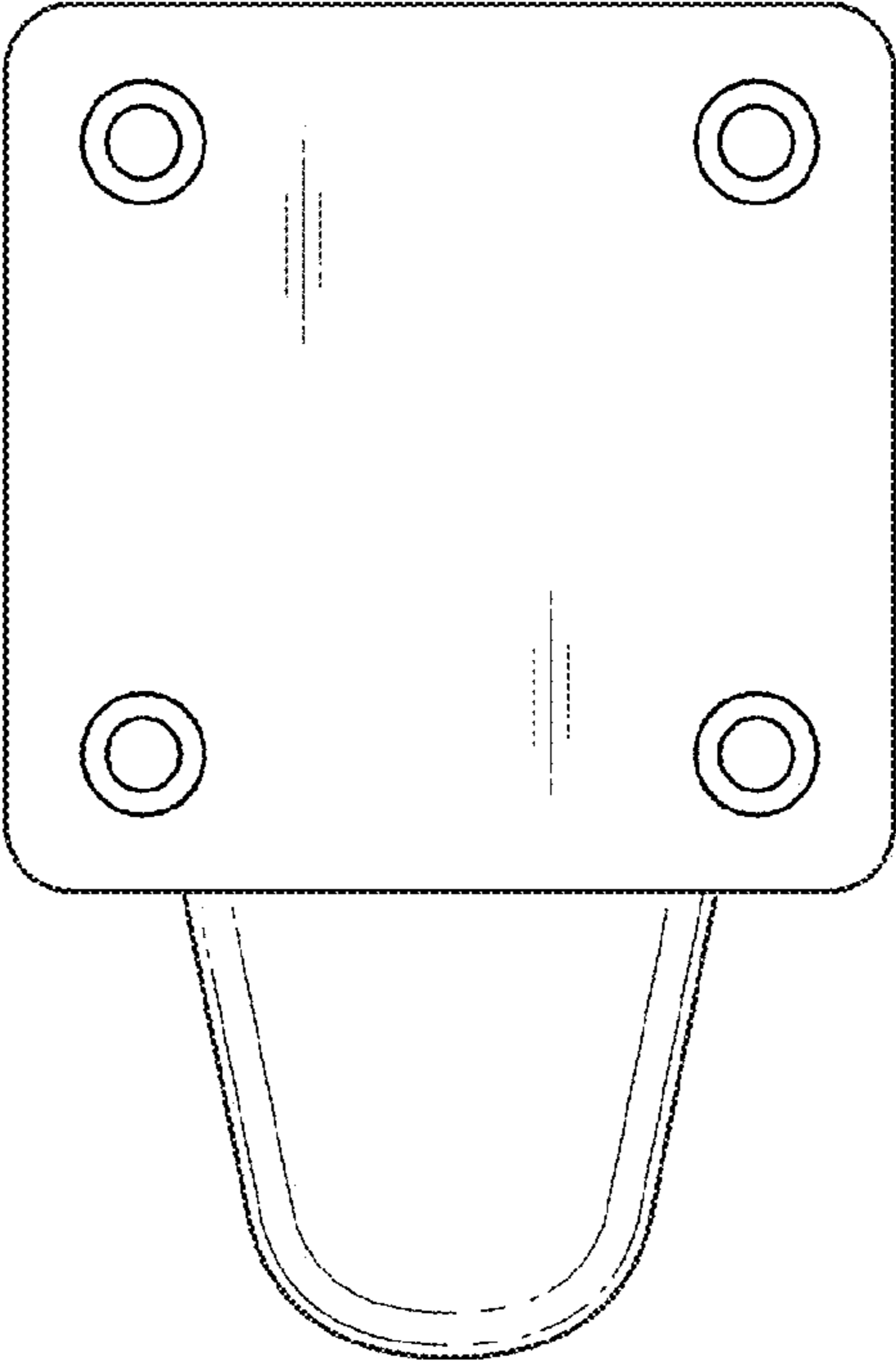


FIG. 5

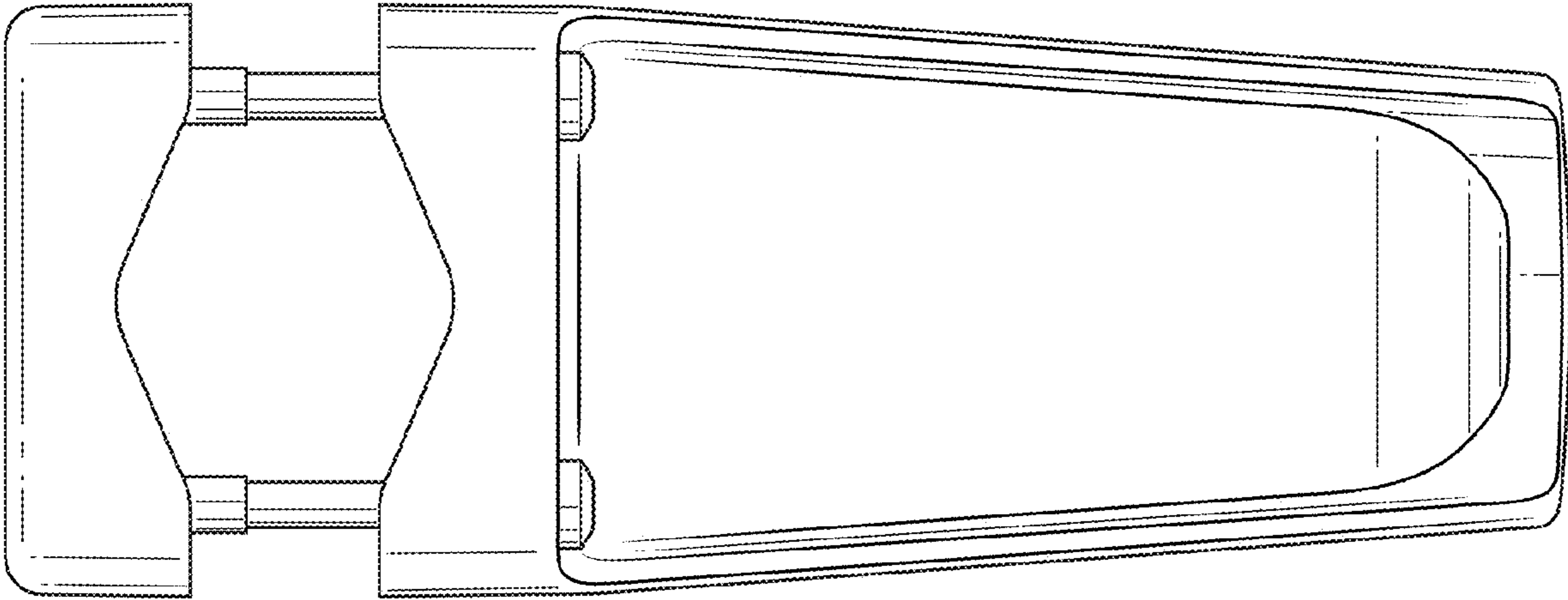


FIG. 6

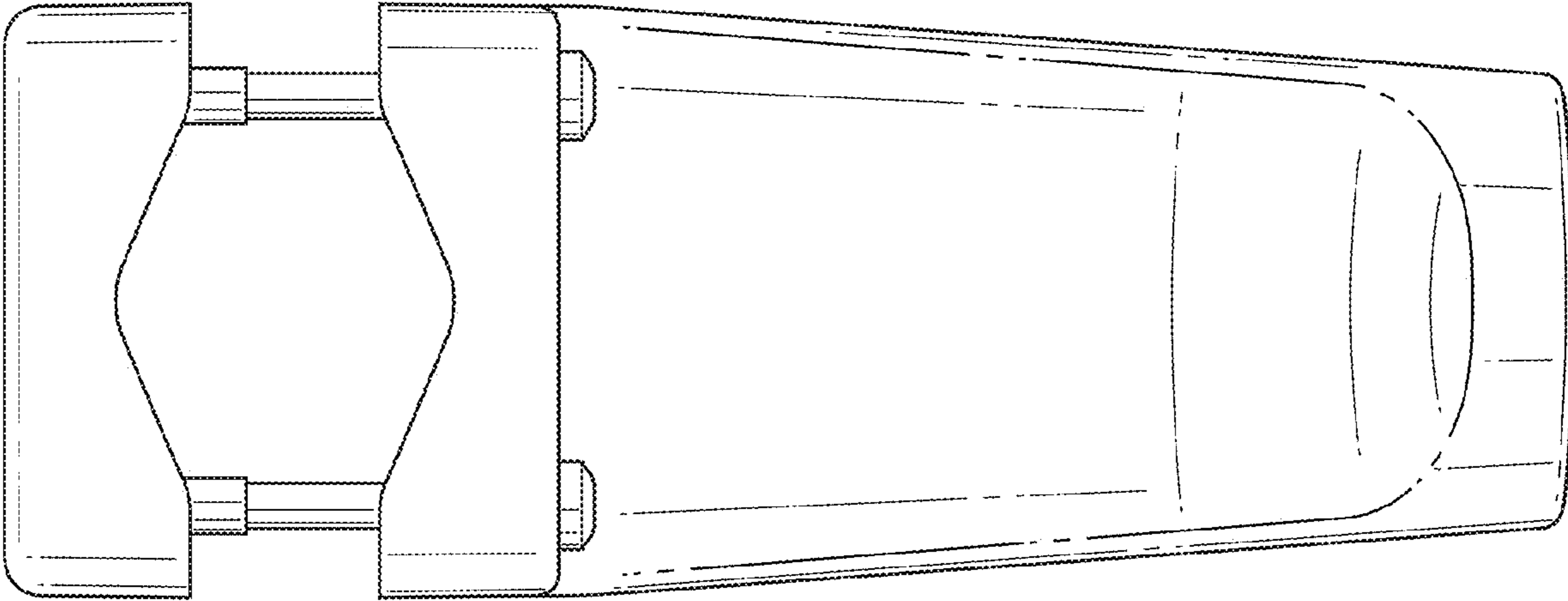


FIG. 7

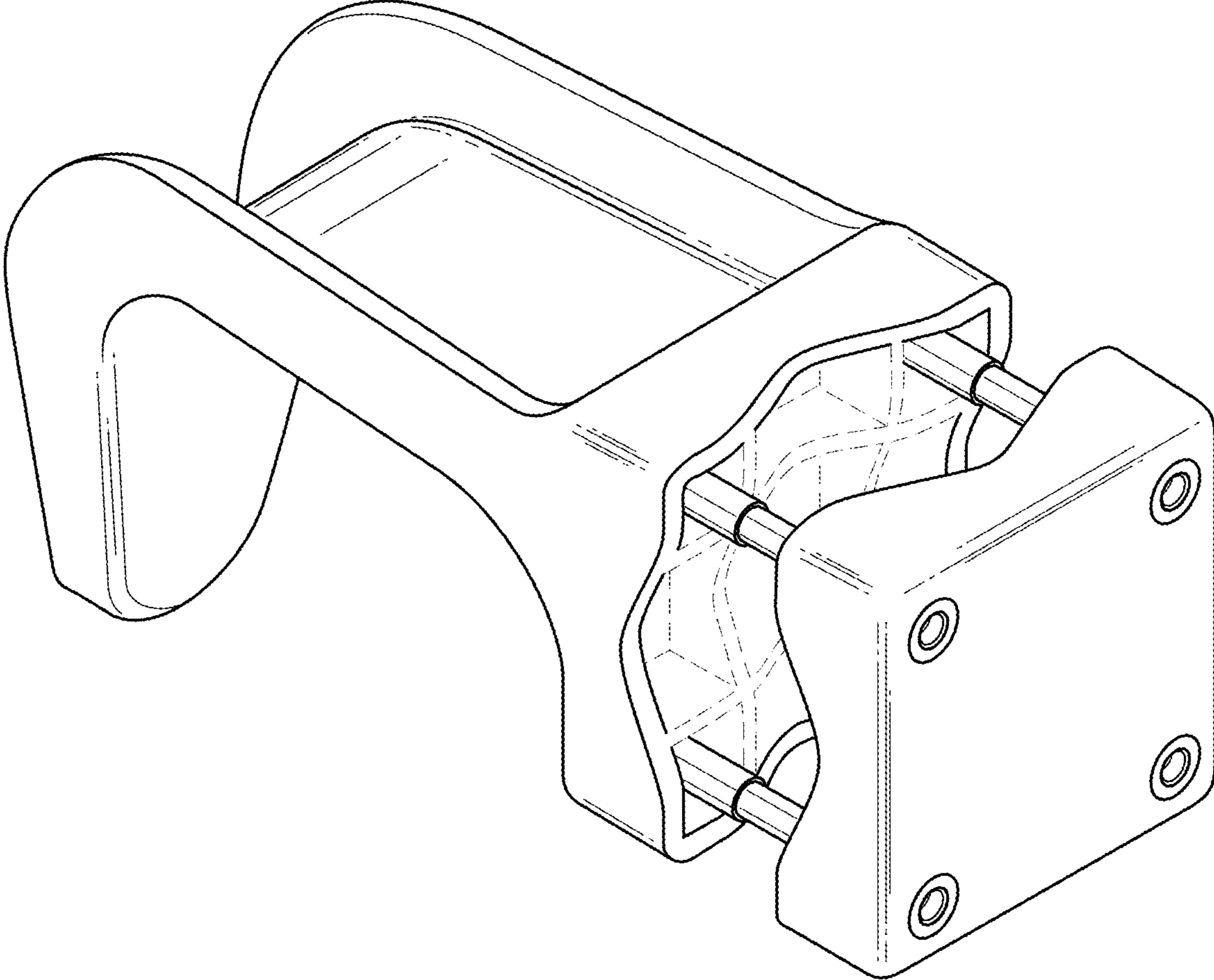


FIG. 8