



US00D945245S

(12) **United States Design Patent**
Bennett et al.

(10) **Patent No.:** **US D945,245 S**
(45) **Date of Patent:** **** Mar. 8, 2022**

- (54) **ARM-RECEIVING DOOR PULL**
- (71) Applicant: **Triangle Brass Manufacturing Co., Inc.**, Oceanside, CA (US)
- (72) Inventors: **Jason Bennett**, San Marcos, CA (US);
Adam Matusz, San Marcos, CA (US)
- (**) Term: **15 Years**
- (21) Appl. No.: **29/735,620**
- (22) Filed: **May 22, 2020**
- (51) **LOC (13) Cl.** **08-06**
- (52) **U.S. Cl.**
USPC **D8/307**
- (58) **Field of Classification Search**
USPC D8/300-302, 307, 308, 331, 343, 367,
D8/371, 394, 395, 398
CPC Y10T 74/20612; Y10T 74/2014; Y10T
74/20696; Y10T 74/20396; Y10T 74/206;
Y10T 74/20618; Y10T 74/19251; Y10T
74/2011; Y10T 29/49826; Y10T
74/20213; Y10T 74/20822; Y10T 16/459;
Y10S 292/27; Y10S 292/53; E05Y
2201/244; E05Y 2400/86; E05F 11/54;
E05F 15/616; E05B 1/0053; E05B
1/0015; E05B 1/0069
See application file for complete search history.

- D580,734 S * 11/2008 Martin D8/307
- 9,822,572 B2 * 11/2017 Brown E05F 11/54
- D811,862 S * 3/2018 Berger D8/367
- D812,454 S * 3/2018 Berger D8/367
- 2013/0118085 A1 * 5/2013 Hedemark F16H 21/44
49/356
- 2017/0260772 A1 * 9/2017 Standley E05B 1/0015
- 2020/0071962 A1 * 3/2020 Markway E05B 53/001

* cited by examiner

Primary Examiner — Lauren R Calve

(74) *Attorney, Agent, or Firm* — The Iwashko Law Firm,
PLLC; Lev Ivan Gabriel Iwashko

(57) **CLAIM**

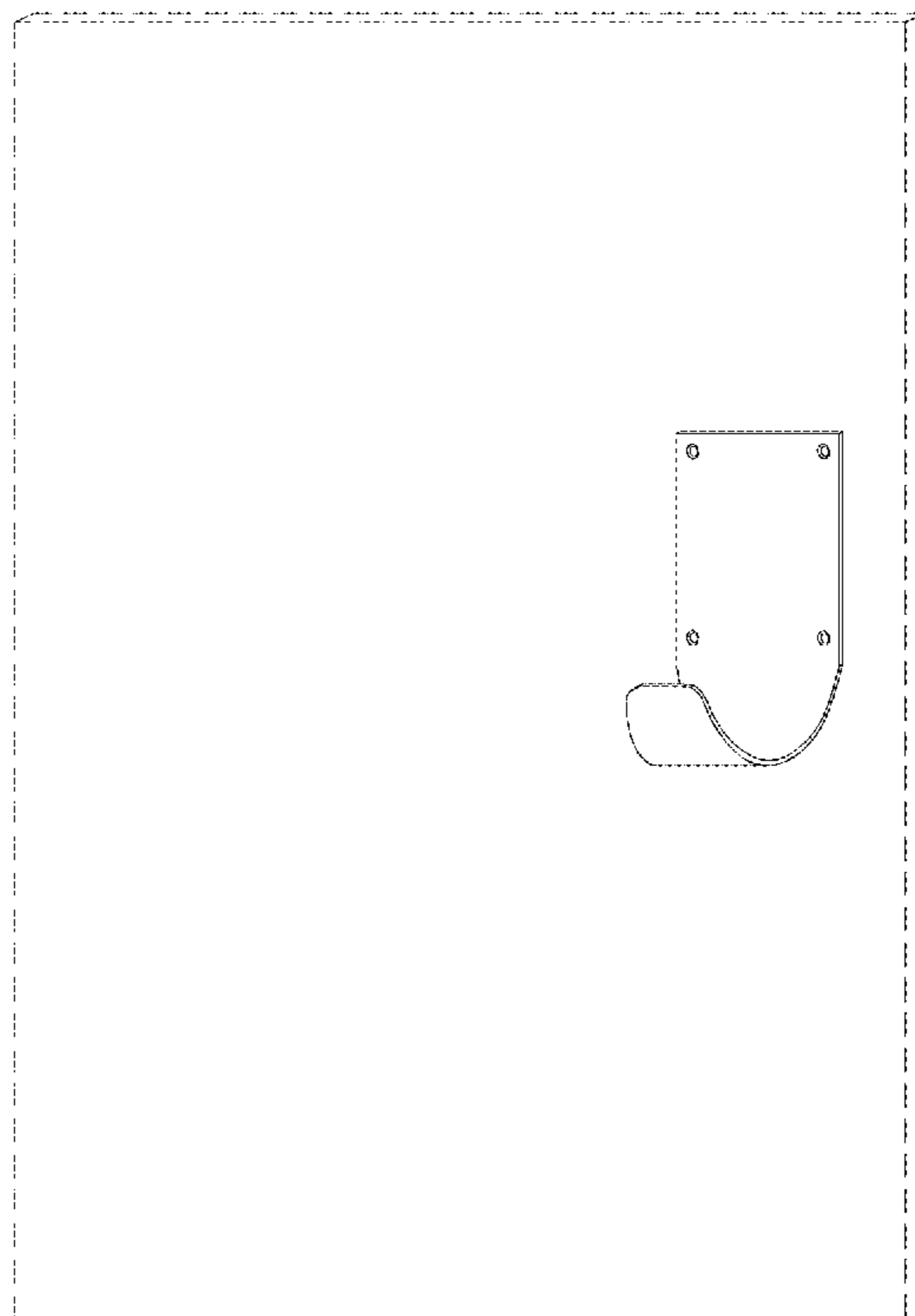
The ornamental design for an arm-receiving door pull, as shown and described.

DESCRIPTION

FIG. 1 is a front, top, and right side perspective view of an arm-receiving door pull, showing our new design in use; FIG. 2 is a front, top, and left side perspective view thereof; FIG. 3 is a front elevational view thereof; FIG. 4 is a rear elevational view thereof not shown in use for clarity of illustration; FIG. 5 is a left side elevational view thereof; and, FIG. 6 is a right side elevational view thereof. Broken lines are for illustrative purposes only, and form no part of the claimed design.

1 Claim, 6 Drawing Sheets

- (56) **References Cited**
U.S. PATENT DOCUMENTS
D311,484 S * 10/1990 Sachs D8/367
6,382,750 B1 * 5/2002 King A47B 95/00
16/901



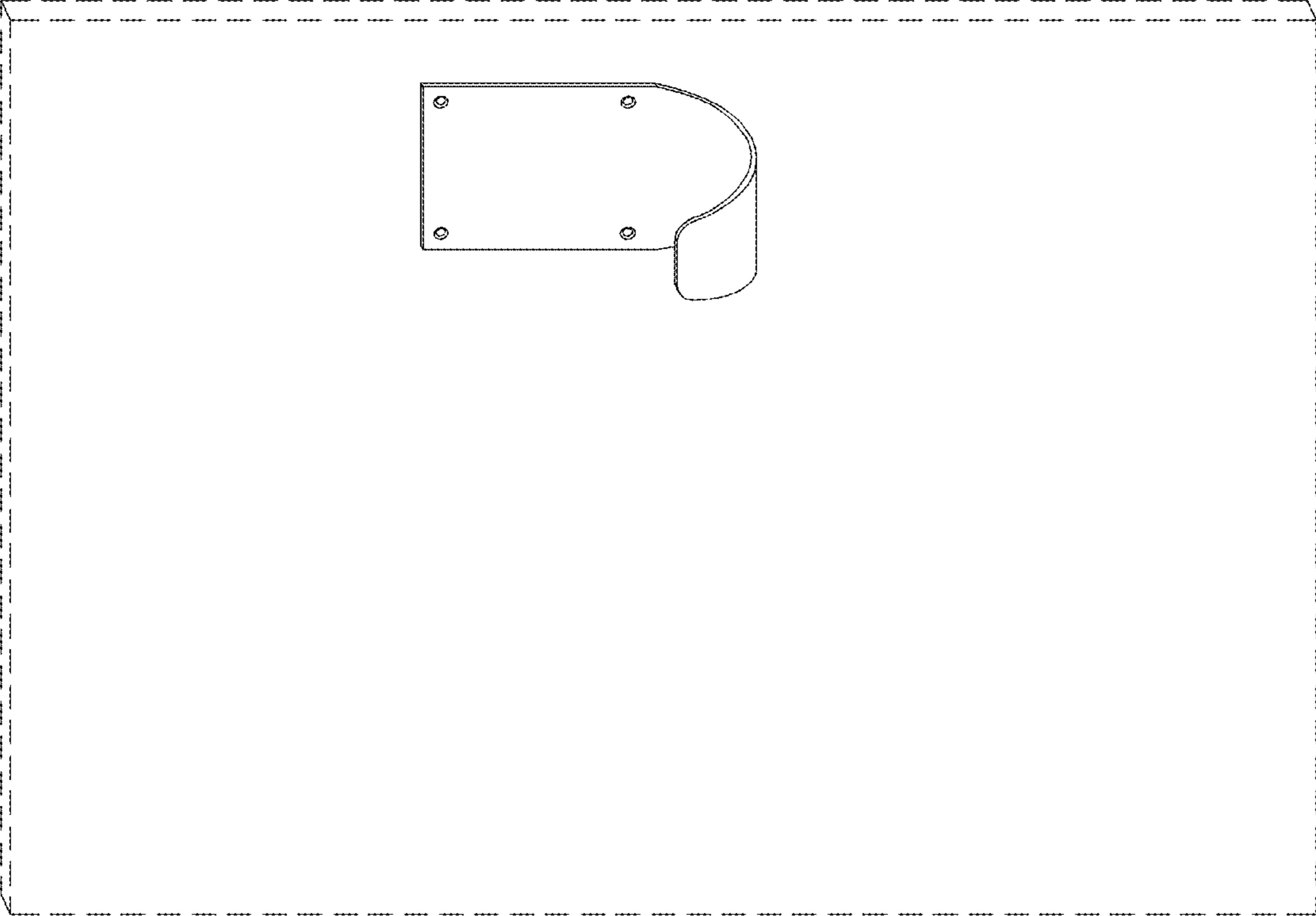


FIG. 1

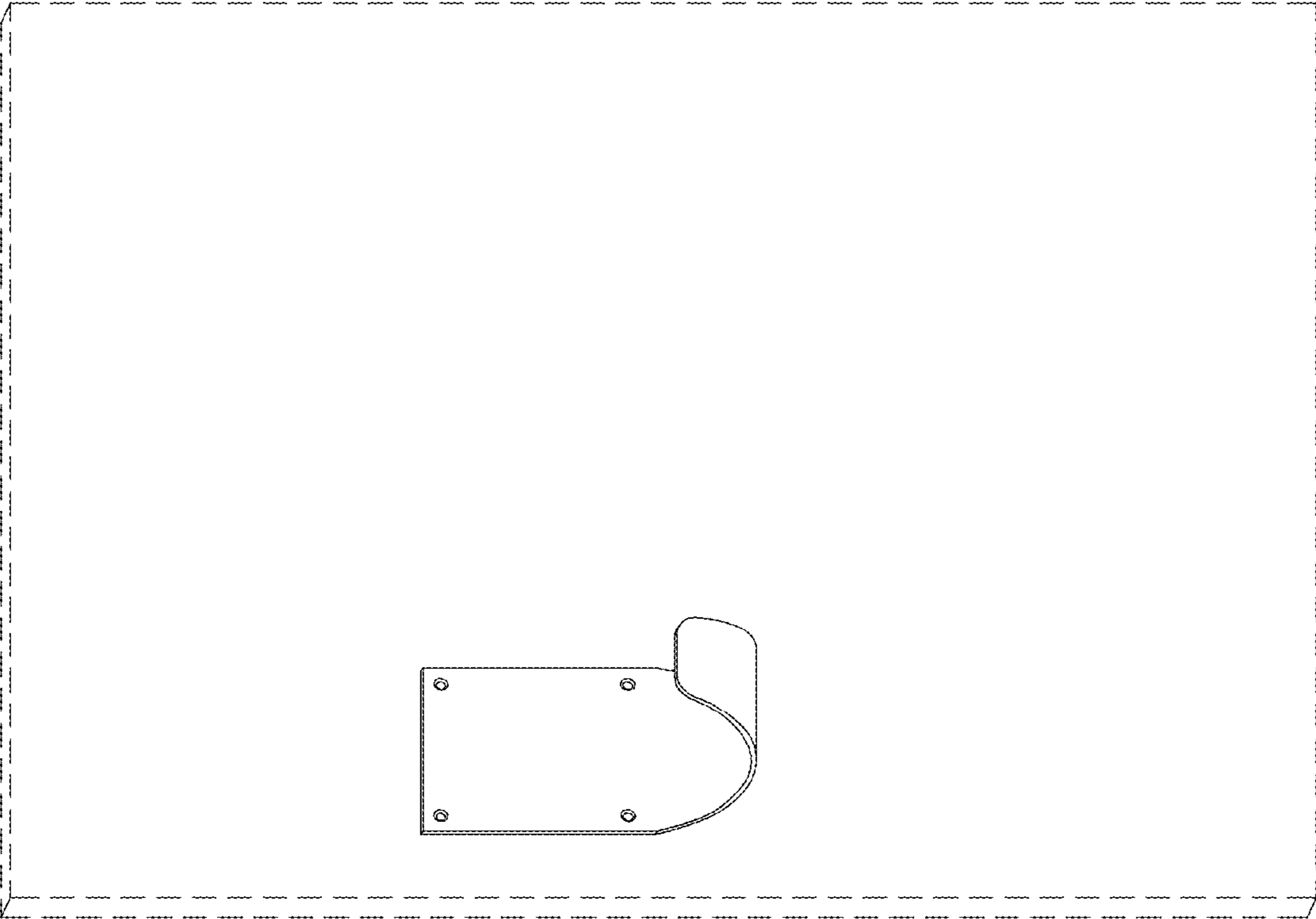


FIG. 2

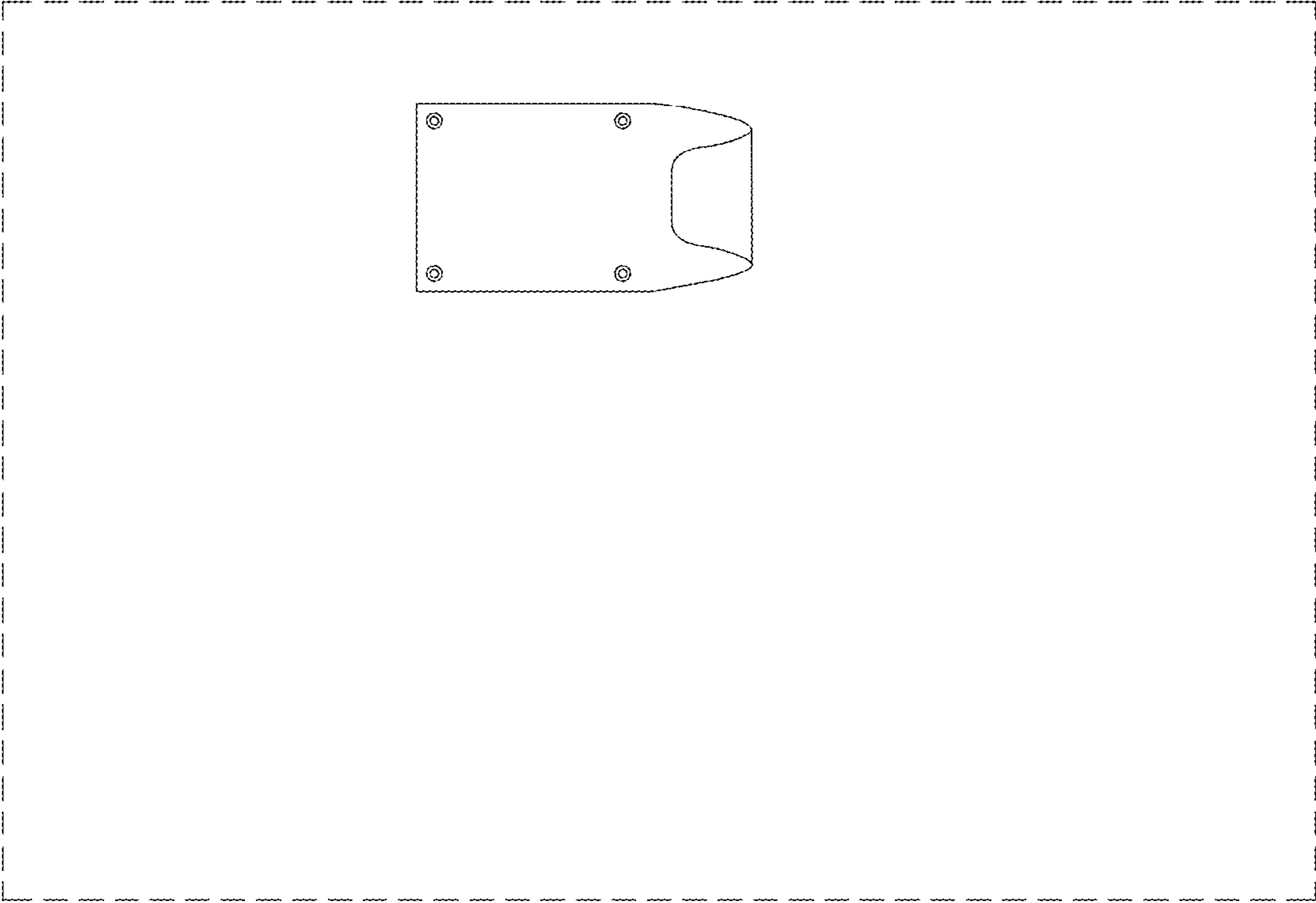


FIG. 3

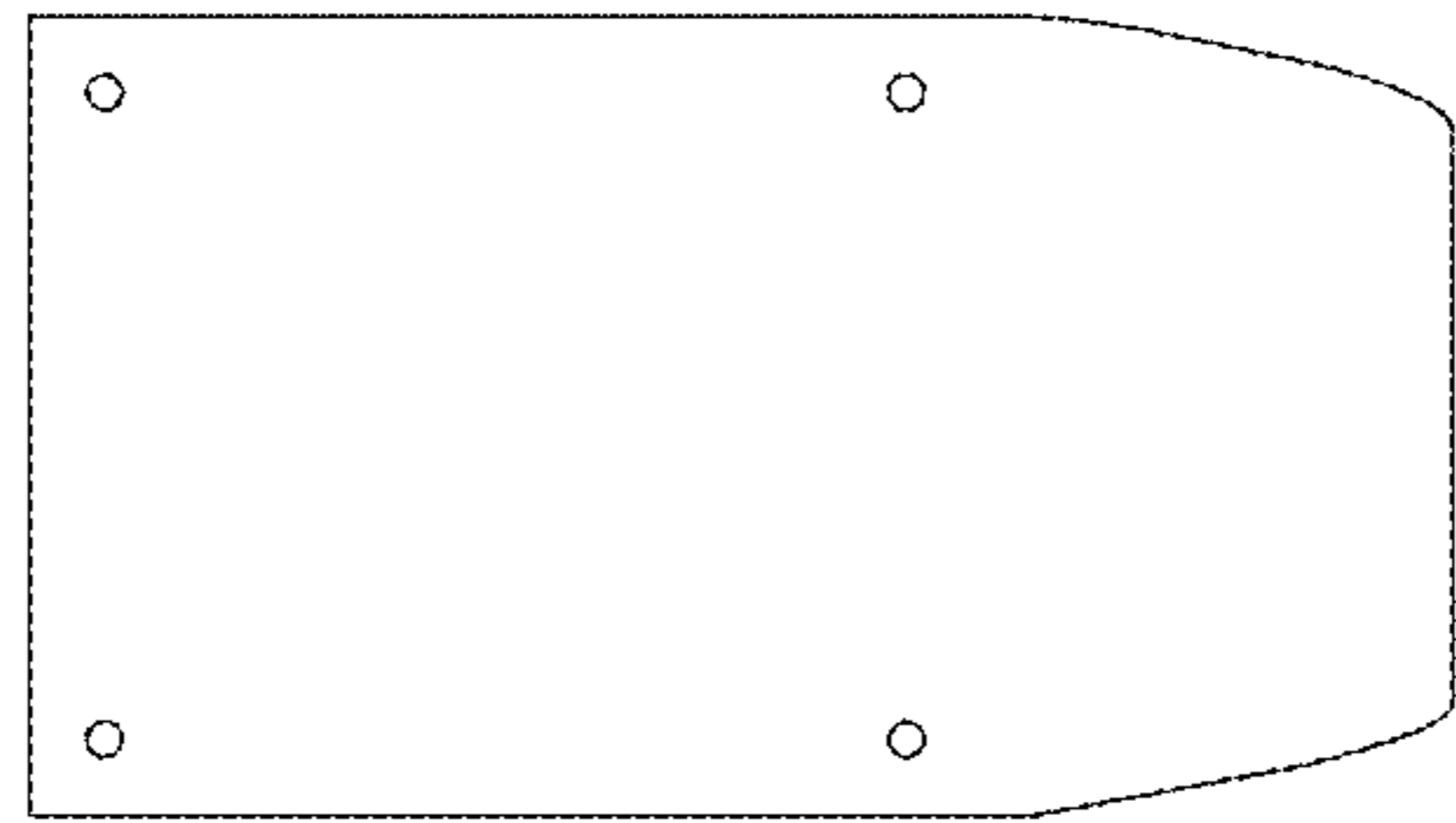


FIG. 4

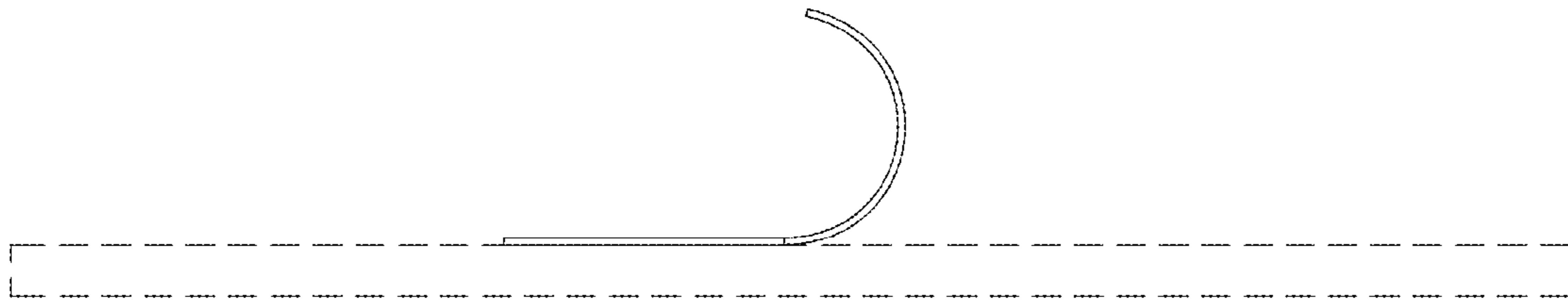


FIG. 5

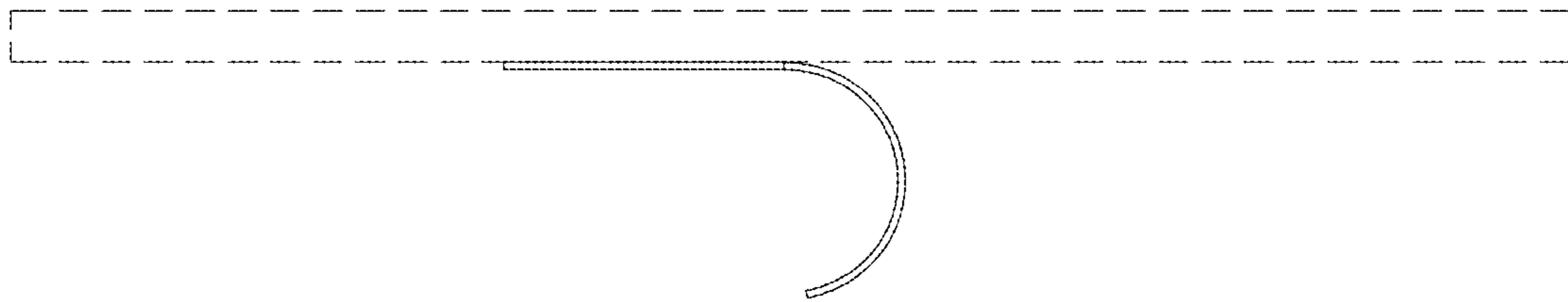


FIG. 6