



US00D945244S

(12) **United States Design Patent**
Dickman et al.

(10) **Patent No.:** **US D945,244 S**
(45) **Date of Patent:** **** Mar. 8, 2022**

(54) **HANDLE EXTENSION FOR A KNIFE**
(71) Applicant: **BENCHMADE KNIFE CO., INC.**,
Oregon City, OR (US)
(72) Inventors: **Ryan Dickman**, Sandy, OR (US);
Vance Collver, Gladstone, OR (US);
Mark Delplanche, Beavercreek, OR
(US); **Hans Albing**, Portland, OR (US);
Samuel Elling, Oregon City, OR (US);
Nate Radcliffe, Lake Oswego, OR
(US); **Anthony Cuomo**, Tigard, OR
(US)

4,648,145 A * 3/1987 Miceli B26B 11/003
30/153
D422,190 S * 4/2000 Zaha D8/99
6,195,898 B1 * 3/2001 Lemisch B26B 1/04
30/153
6,550,142 B1 * 4/2003 Moser B26B 3/06
30/153
D487,494 S * 3/2004 Glesser D22/118
6,848,183 B2 * 2/2005 Lemisch B26B 1/04
30/153
D566,222 S * 4/2008 Hawk D22/118
7,676,930 B1 * 3/2010 Demko B26B 1/04
30/153

(Continued)

(73) Assignee: **Benchmade Knife Co., Inc.**, Oregon
City, OR (US)

Primary Examiner — Philip S Hyder
(74) *Attorney, Agent, or Firm* — Schwabe Williamson &
Wyatt, P.C.

(**) Term: **15 Years**

(21) Appl. No.: **29/747,674**

(22) Filed: **Aug. 24, 2020**

(51) **LOC (13) Cl.** **08-03**

(52) **U.S. Cl.**
USPC **D8/99**

(58) **Field of Classification Search**
USPC D8/98, 99, 100, 105, 107
CPC B26B 5/001; B26B 5/003; B26B 11/00;
B26B 1/08; B26B 1/02; B26B 1/10;
B26B 1/04; B26B 1/042; B26B 1/044;
B26B 1/048; B26B 3/08; B26B 29/06;
B26B 5/00
See application file for complete search history.

(56) **References Cited**

U.S. PATENT DOCUMENTS

1,659,418 A * 2/1928 Werner B26B 1/04
30/153
4,330,737 A * 5/1982 Orban H05B 41/325
315/151
4,364,174 A * 12/1982 De Asis B26B 1/10
30/153

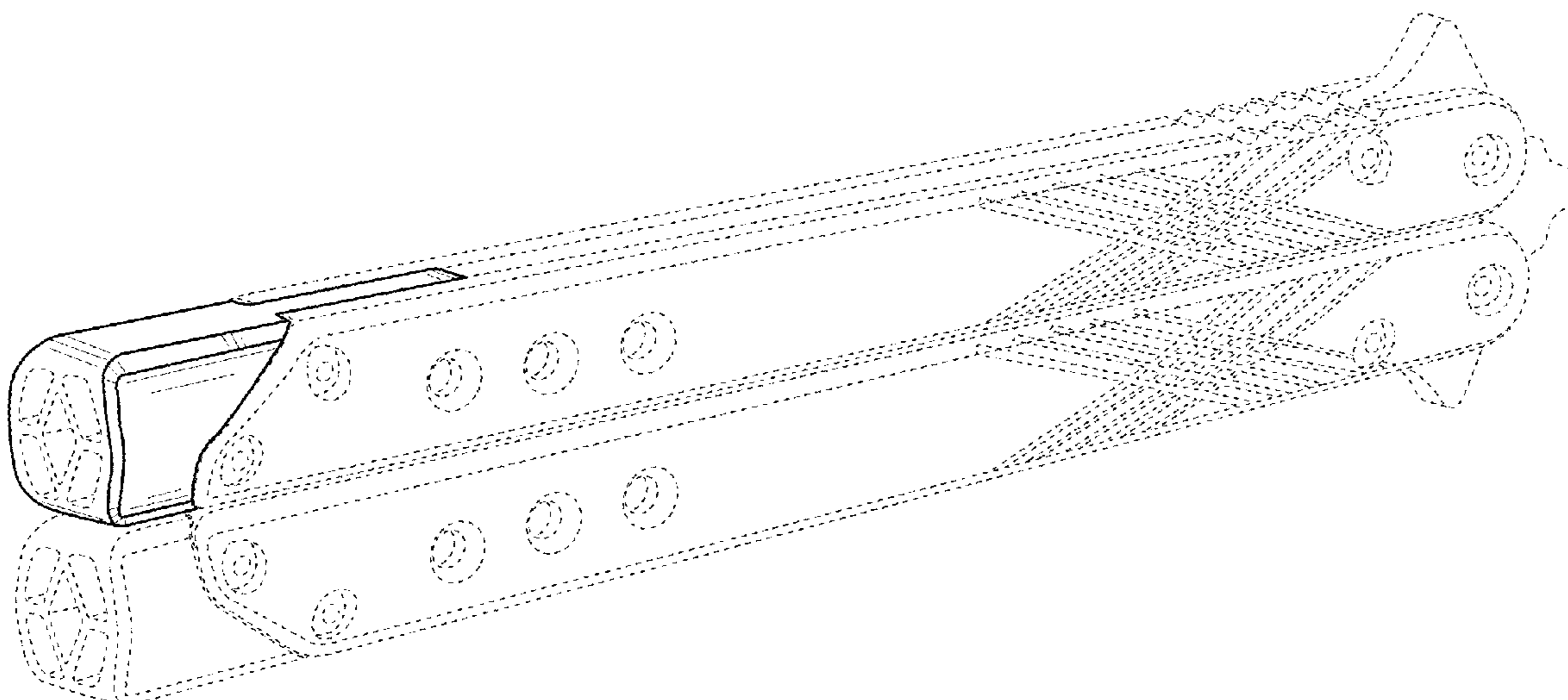
(57) **CLAIM**

We claim the ornamental design for a handle extension for
a knife, as shown and described.

DESCRIPTION

FIG. 1 is a perspective view of a handle extension for a
knife, showing our new design;
FIG. 2 is a perspective view thereof, with the handle
extension disconnected from the handle of the knife;
FIG. 3 is a right side view of the handle extension discon-
nected from the knife;
FIG. 4 is a left side view thereof;
FIG. 5 is a top view thereof;
FIG. 6 is a bottom view thereof;
FIG. 7 is a front view thereof; and,
FIG. 8 is a back view thereof.
The dot-dot-dash broken lines represent an unclaimed
boundary of the claimed design. The remainder of the
broken lines depict either a balisong knife, or portions of the
handle extension in which the design is embodied, that form
no part of the claimed design.

1 Claim, 3 Drawing Sheets



(56)

References Cited

U.S. PATENT DOCUMENTS

D701,103 S * 3/2014 Marfione D8/99
D727,691 S * 4/2015 Wang D7/644
D825,310 S * 8/2018 Liu D8/99
D854,393 S * 7/2019 Saunders D8/99
D920,763 S * 6/2021 Godfrey D8/99
2016/0368155 A1* 12/2016 Mandeville B26B 1/04
2017/0066144 A1* 3/2017 Michael B26B 1/10
2018/0178398 A1* 6/2018 Janovicz B26B 1/04
2019/0344457 A1* 11/2019 Hunt B26B 1/046
2020/0189128 A1* 6/2020 Eiling B26B 1/10
2021/0154867 A1* 5/2021 Demko B26B 1/10

* cited by examiner

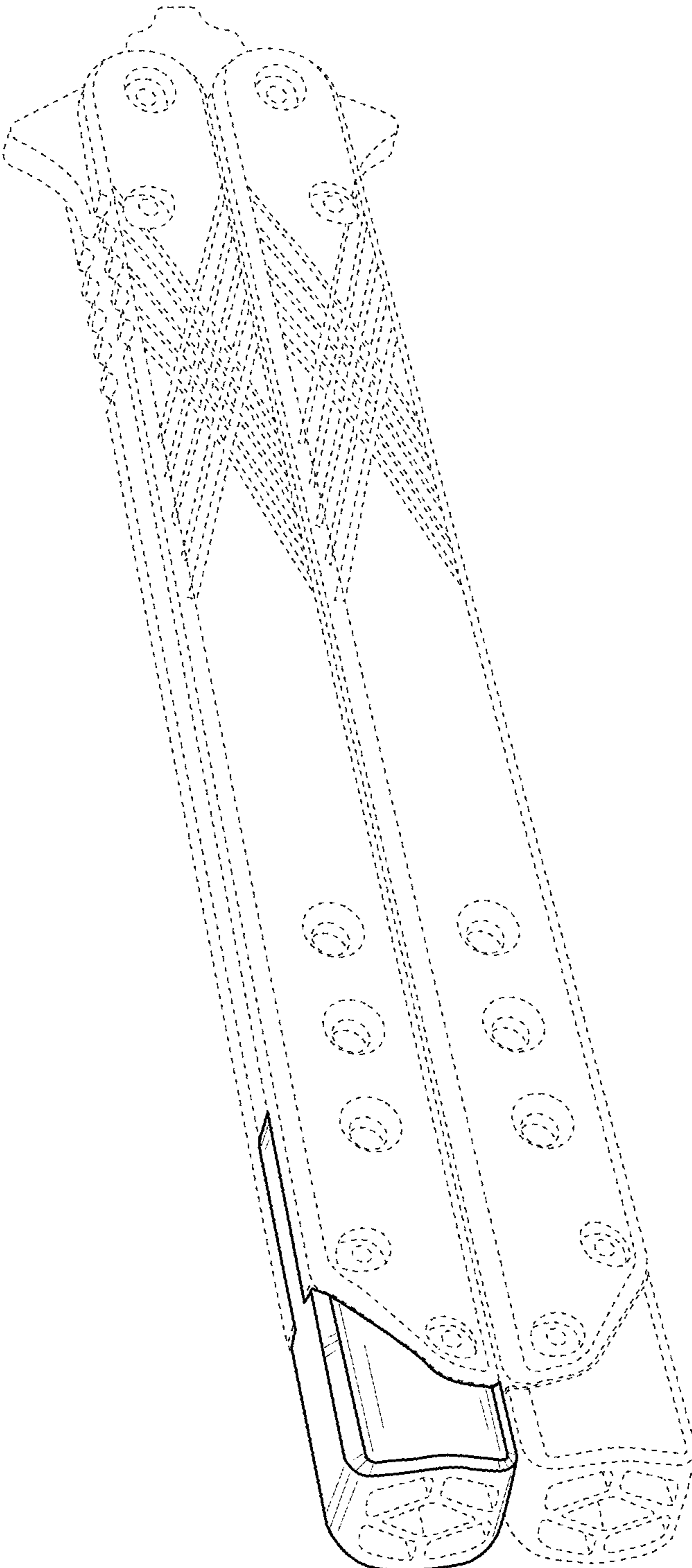


FIG. 1

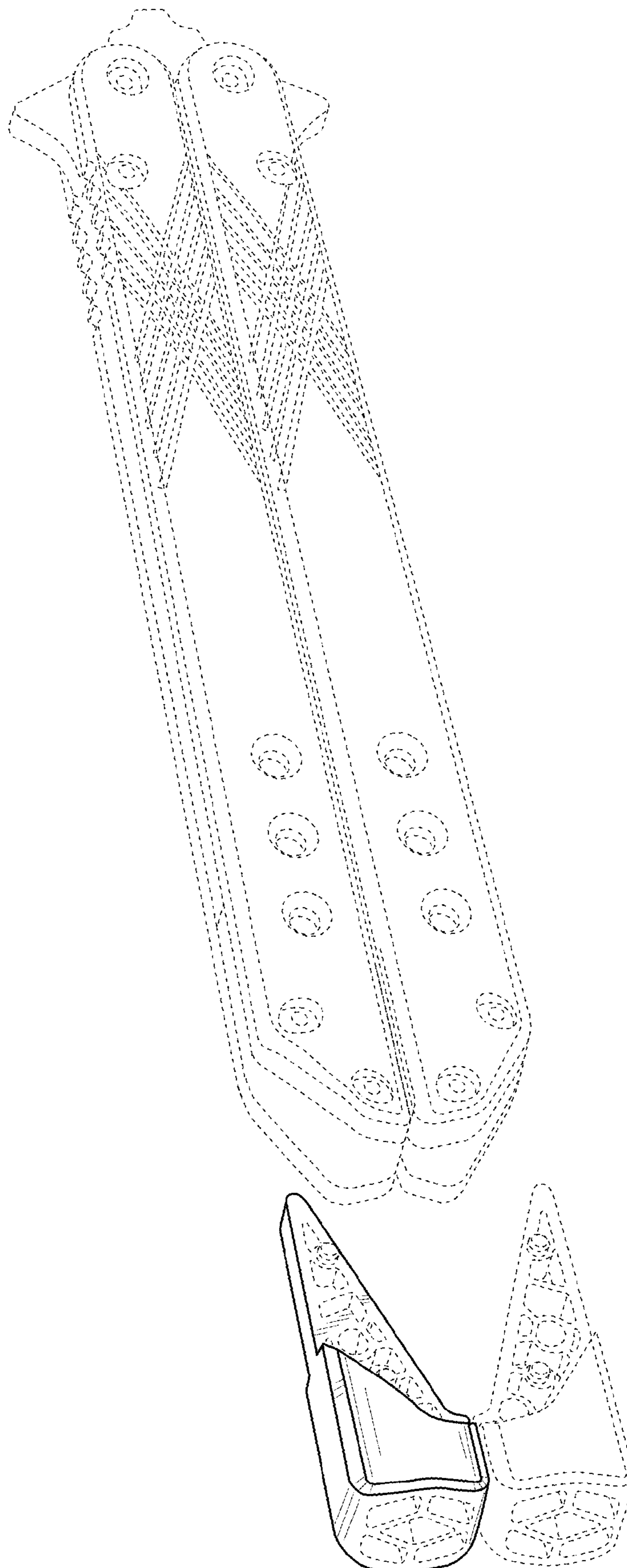


FIG. 2

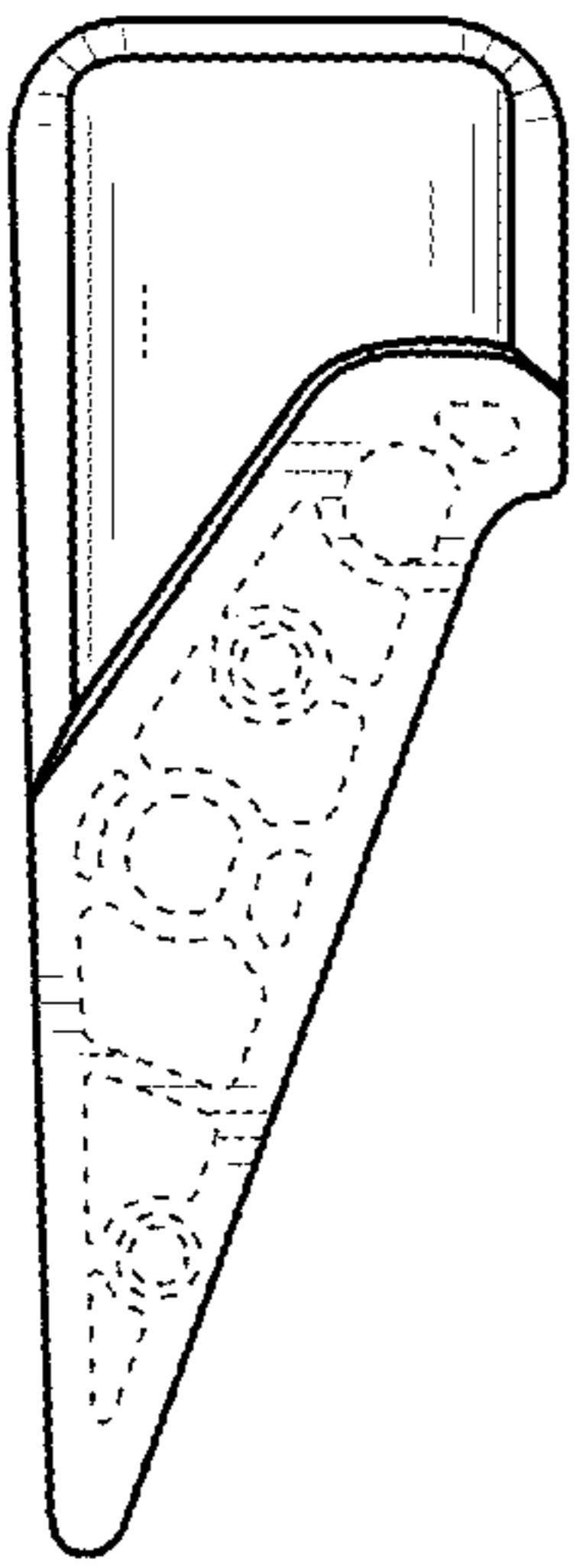


FIG. 4

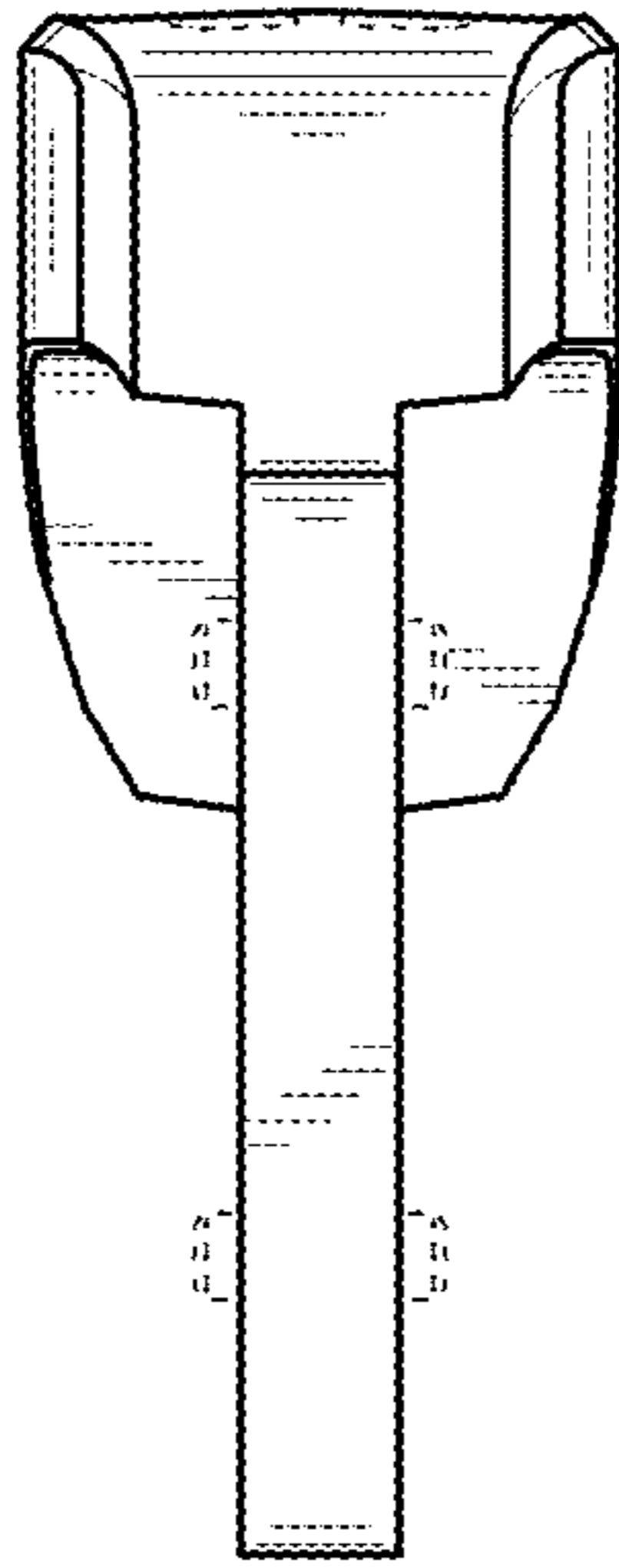


FIG. 6

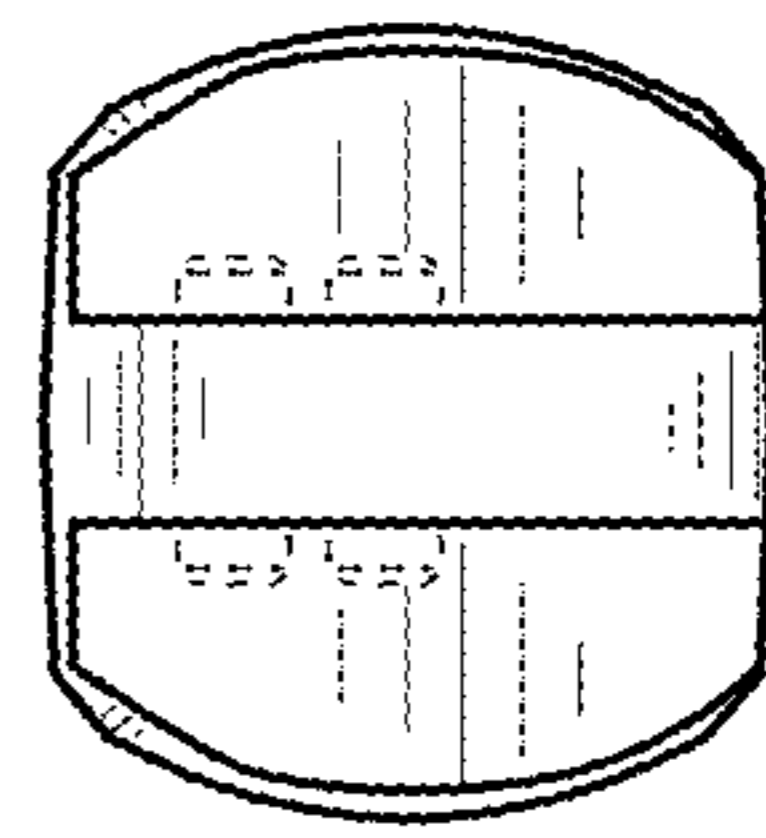


FIG. 8

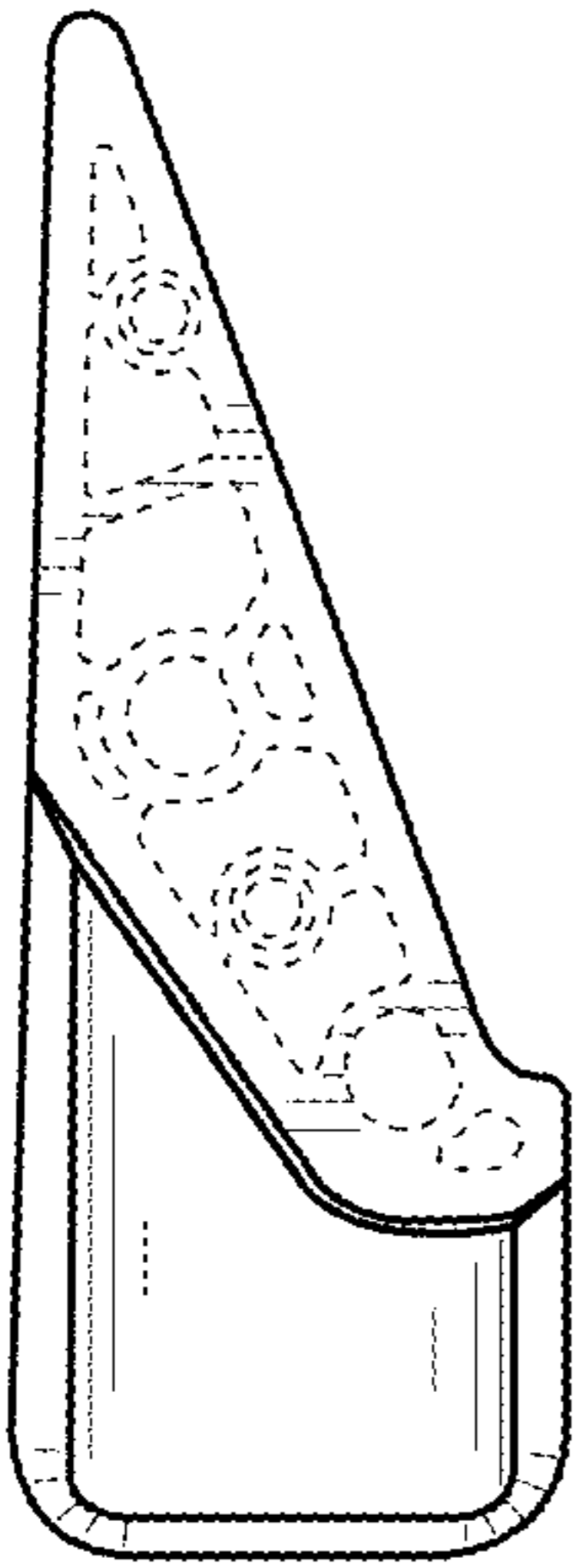


FIG. 3

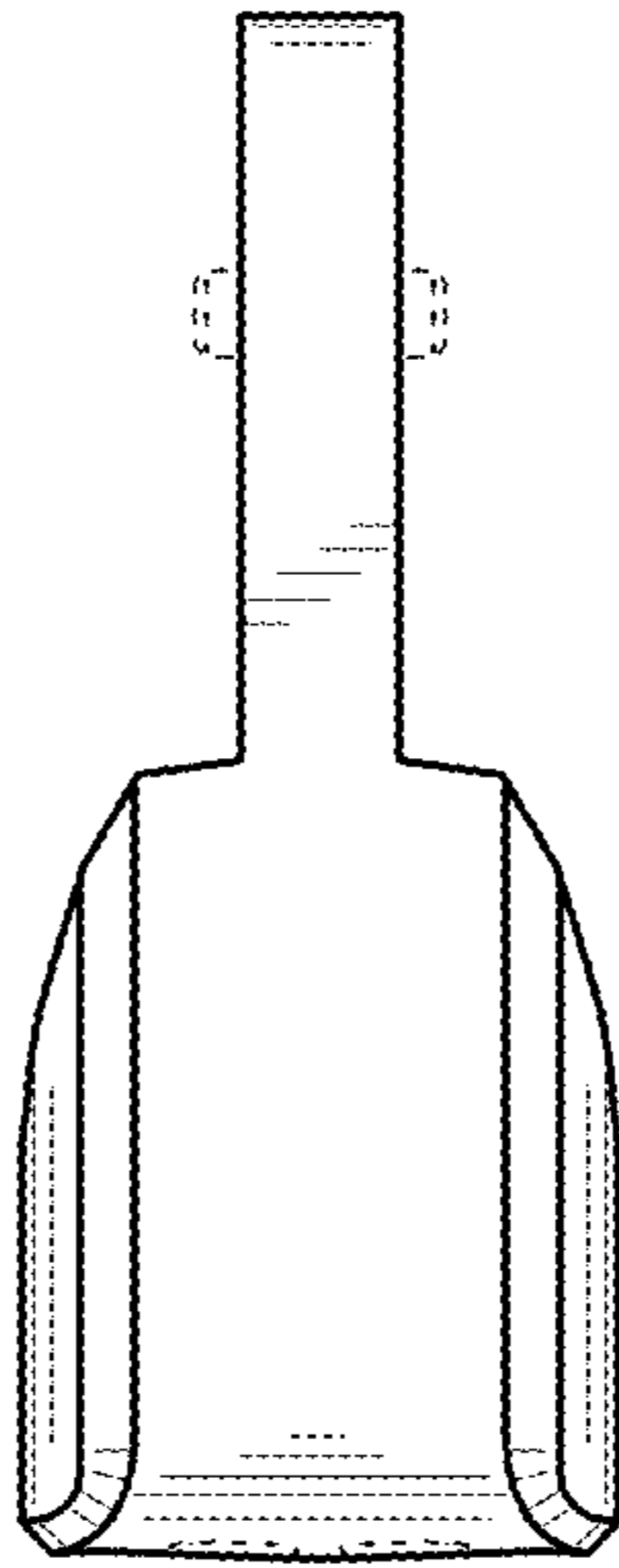


FIG. 5

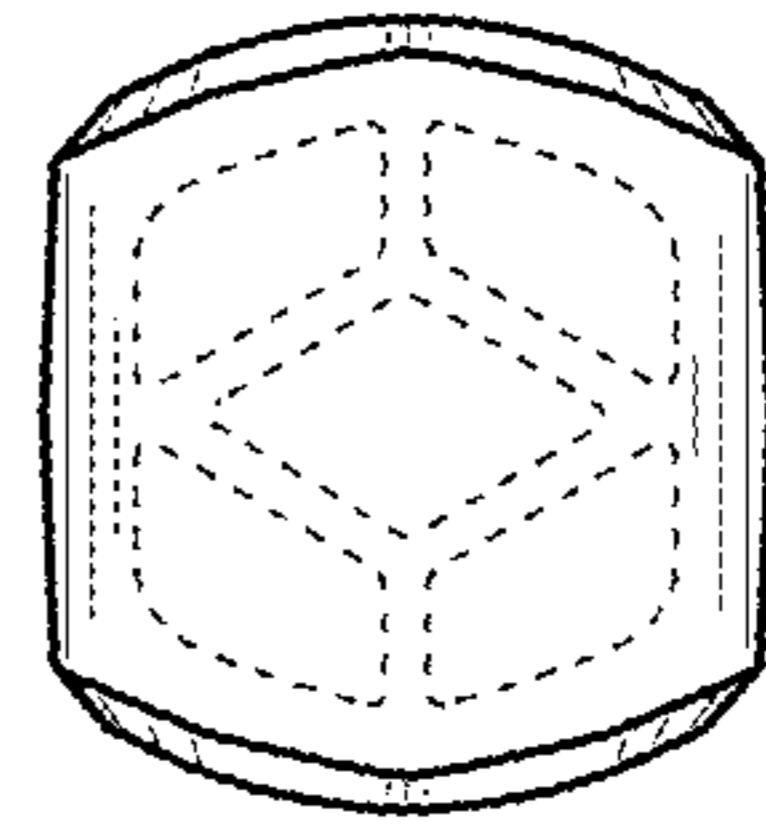


FIG. 7