



US00D945240S

(12) **United States Design Patent**
Dickman et al.

(10) **Patent No.:** **US D945,240 S**
(45) **Date of Patent:** **** Mar. 8, 2022**

- (54) **OTF KNIFE**
- (71) Applicant: **BENCHMADE KNIFE CO., INC.**,
Oregon City, OR (US)
- (72) Inventors: **Ryan Dickman**, Sandy, OR (US);
Vance Collver, Gladstone, OR (US);
Mark Delplanche, Beavercreek, OR
(US); **Nate Radcliffe**, Lake Oswego,
OR (US)
- (73) Assignee: **Benchmade Knife Co., Inc.**, Oregon
City, OR (US)
- (**) Term: **15 Years**
- (21) Appl. No.: **29/747,655**
- (22) Filed: **Aug. 24, 2020**
- (51) **LOC (13) Cl.** **08-03**
- (52) **U.S. Cl.**
USPC **D8/99**
- (58) **Field of Classification Search**
USPC D8/98, 99, 100, 105, 107
CPC B26B 5/001; B26B 5/003; B26B 11/00;
B26B 1/08; B26B 1/02; B26B 1/10;
B26B 1/04; B26B 1/042; B26B 1/044;
B26B 1/048; B26B 3/08; B26B 29/06;
B26B 5/00
See application file for complete search history.

(56) **References Cited**

U.S. PATENT DOCUMENTS

- 6,085,423 A * 7/2000 Marifone B26B 1/08
30/151
- D510,514 S * 10/2005 Ray D8/99
- 8,595,941 B2 * 12/2013 Lee B26B 1/08
30/151
- 8,671,578 B1 * 3/2014 Frazer B26B 1/08
30/162

- 9,375,854 B2 * 6/2016 Chu B26B 1/08
- 9,498,889 B1 * 11/2016 Hawk B26B 1/10
- D796,932 S * 9/2017 Sung D8/99
- 9,764,485 B1 * 9/2017 Hawk B26B 1/04
- D810,540 S * 2/2018 Marfione D8/99
- 10,220,527 B1 * 3/2019 Marfione B26B 9/02
- D870,532 S * 12/2019 Marfione D8/99
- D871,187 S * 12/2019 Marfione D8/99
- D871,887 S * 1/2020 Marfione D8/99
- D889,239 S * 7/2020 Marfione D8/99
- D903,460 S * 12/2020 Marfione D8/99
- 2007/0175045 A1 * 8/2007 McHenry B26B 1/08
30/162
- 2008/0222895 A1 * 9/2008 Marfione B26B 1/10
30/151
- 2008/0222897 A1 * 9/2008 Marfione B26B 1/08
30/162
- 2009/0235534 A1 * 9/2009 Chu B26B 1/10
30/162

(Continued)

Primary Examiner — Philip S Hyder

(74) *Attorney, Agent, or Firm* — Schwabe Williamson & Wyatt, P.C.

(57) **CLAIM**

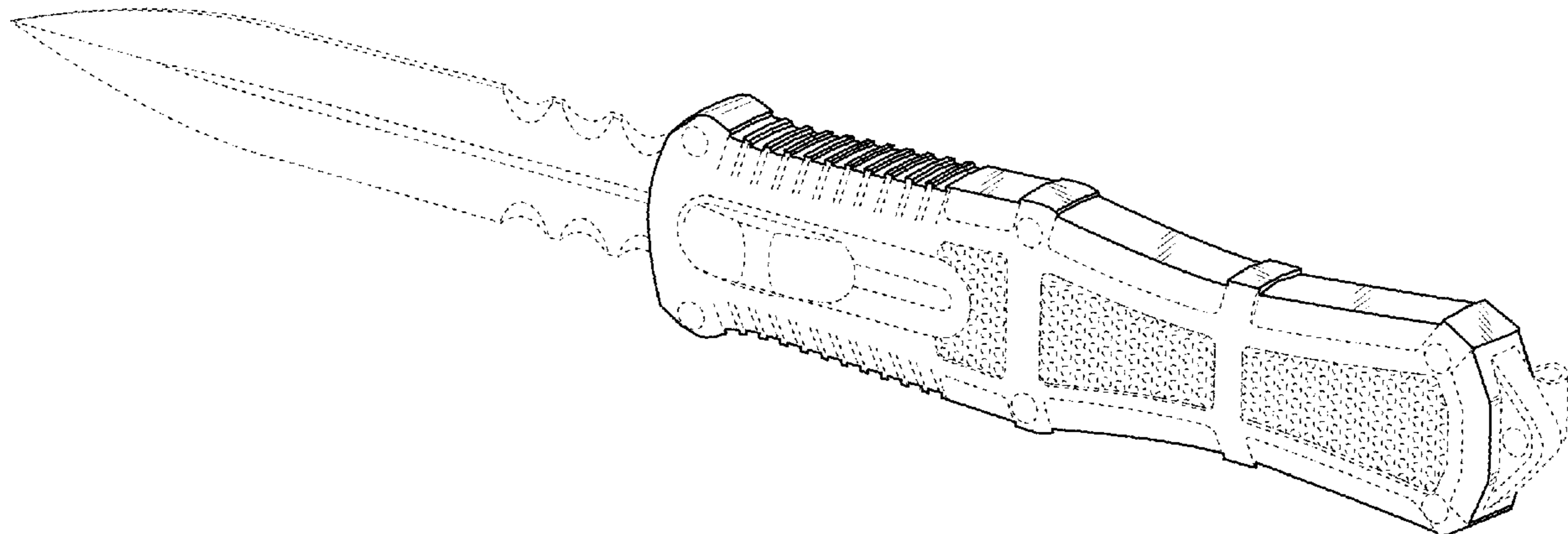
We claim the ornamental design for a OTF knife, as shown and described.

DESCRIPTION

FIG. 1 is a perspective view of a knife, showing our new design;
 FIG. 2 is a right side view thereof;
 FIG. 3 is a left side view thereof;
 FIG. 4 is a top view thereof;
 FIG. 5 is a bottom view thereof;
 FIG. 6 is a front view thereof; and,
 FIG. 7 is a back view thereof.

The broken lines depict portions of the OTF knife in which the design is embodied that form no part of the claimed design.

1 Claim, 3 Drawing Sheets



(56)

References Cited

U.S. PATENT DOCUMENTS

2014/0101943 A1* 4/2014 Chu B26B 1/08
30/162
2014/0173911 A1* 6/2014 Chu B26B 1/08
30/162

* cited by examiner

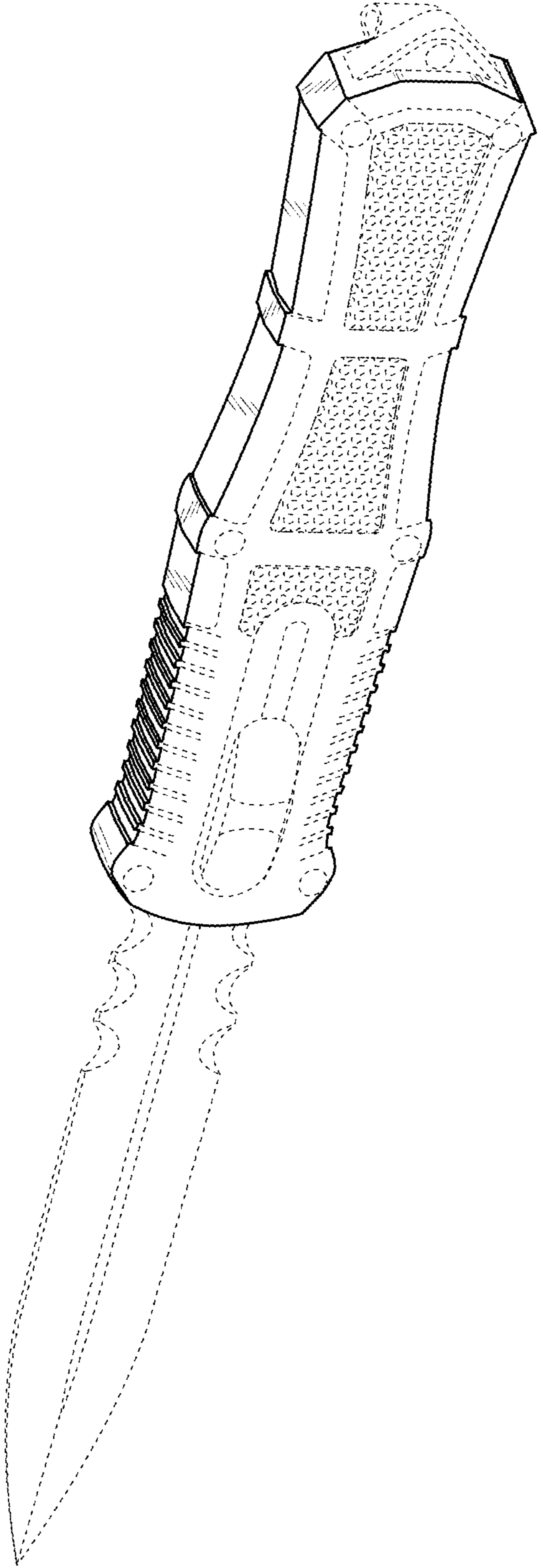


FIG. 1

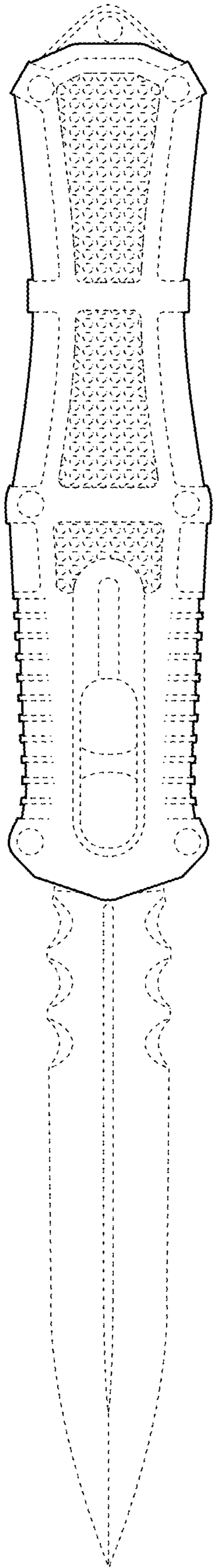


FIG. 2

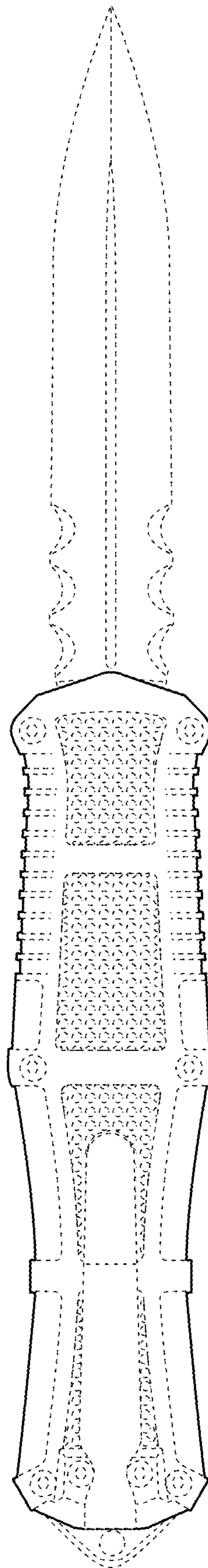


FIG. 3

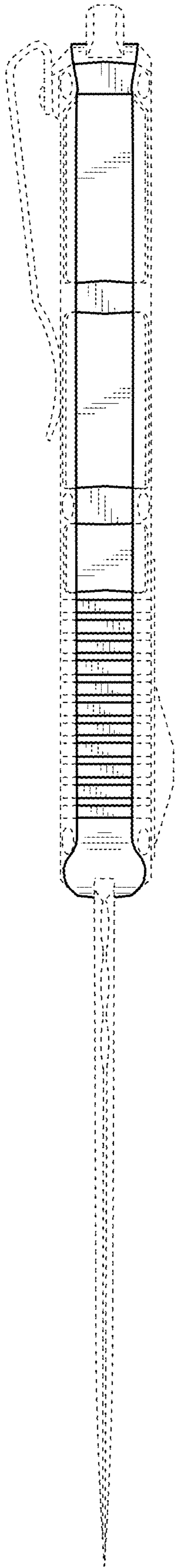


FIG. 4

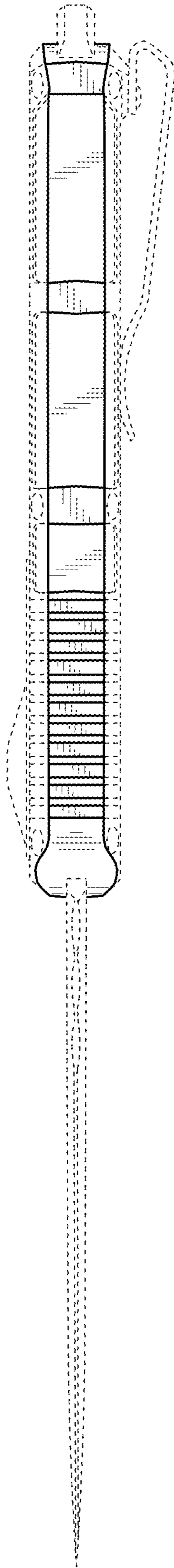


FIG. 5

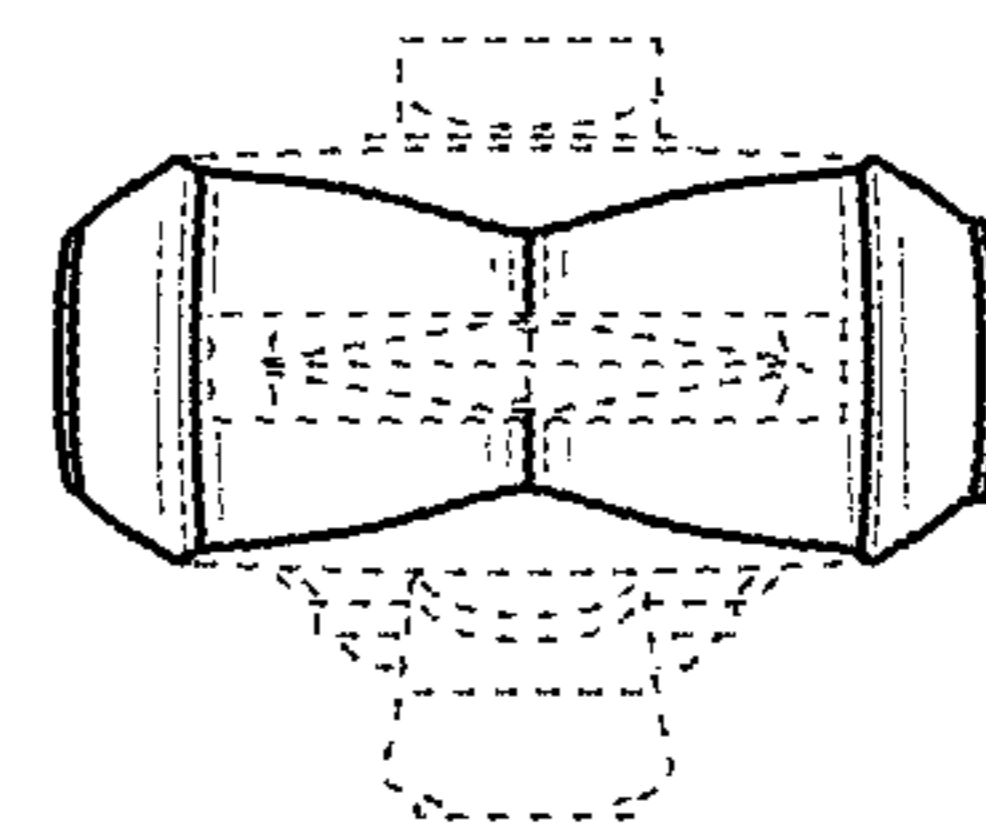


FIG. 6

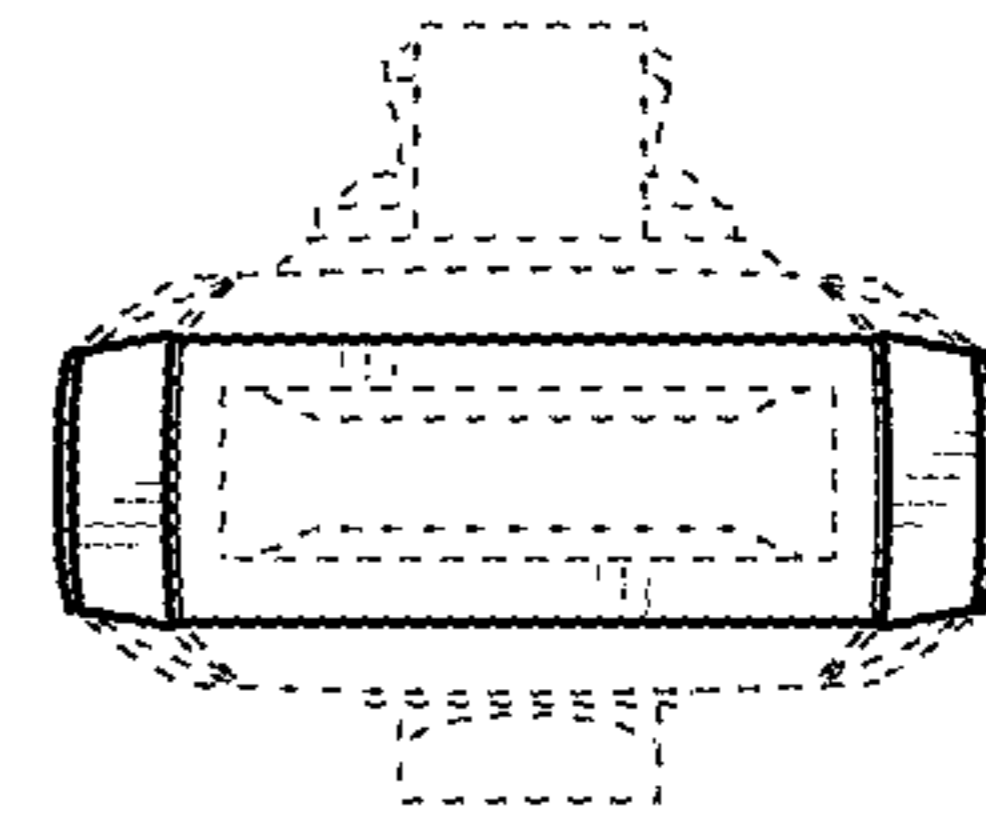


FIG. 7