



US00D945236S

(12) **United States Design Patent** (10) **Patent No.:** **US D945,236 S**  
**Jusidman et al.** (45) **Date of Patent:** **\*\* Mar. 8, 2022**

(54) **AXE**  
(71) Applicant: **Truper, S.A. de C.V.**, Estado de Mexico (MX)  
(72) Inventors: **Arie Jusidman**, Mexico City (MX); **Jose Gamboa**, Roswell, GA (US); **Mark Dorenkott**, Westlake, OH (US)  
(73) Assignee: **TRUPER, S.A. DE C.V.**, Estado de Mexico (MX)  
(\*\*) Term: **15 Years**

D583,641 S \* 12/2008 Fortier ..... D8/76  
D594,727 S \* 6/2009 Fortier ..... D8/76  
D808,759 S \* 1/2018 Nelson ..... D8/76  
D818,337 S \* 5/2018 Nelson ..... D8/76  
10,213,932 B2 \* 2/2019 Brobeil ..... B25G 1/10  
D854,903 S \* 7/2019 Nelson ..... D8/76  
2005/0102845 A1 \* 5/2005 Dallas ..... B26B 11/00  
30/308.1  
2006/0042017 A1 \* 3/2006 Lin ..... B25G 1/08  
7/158  
2014/0000116 A1 \* 1/2014 Brobeil ..... B25D 1/00  
30/308.1  
2015/0121708 A1 \* 5/2015 Holm ..... B29C 43/18  
30/340

(21) Appl. No.: **29/706,062**  
(22) Filed: **Sep. 17, 2019**  
(51) **LOC (13) Cl.** ..... **08-02**  
(52) **U.S. Cl.**  
USPC ..... **D8/76**  
(58) **Field of Classification Search**  
USPC ..... D8/14, 75, 76, 77, 78, 79, 80, 81  
CPC . B26B 23/00; B25F 1/00; B25F 1/006; A01B  
1/20; A62B 3/005; B24D 1/00; B25G  
1/04; B25G 3/28  
See application file for complete search history.

OTHER PUBLICATIONS

Applicant Truper S.A. de C.V. catalog, published Jan. 31, 2019. 548 pages. See especially pp. 138, 139, and 209.

\* cited by examiner

*Primary Examiner* — Philip S Hyder  
(74) *Attorney, Agent, or Firm* — Polson Intellectual Property Law, PC; Margaret Polson

(57) **CLAIM**

The ornamental design for an axe, as shown and described.

(56) **References Cited**

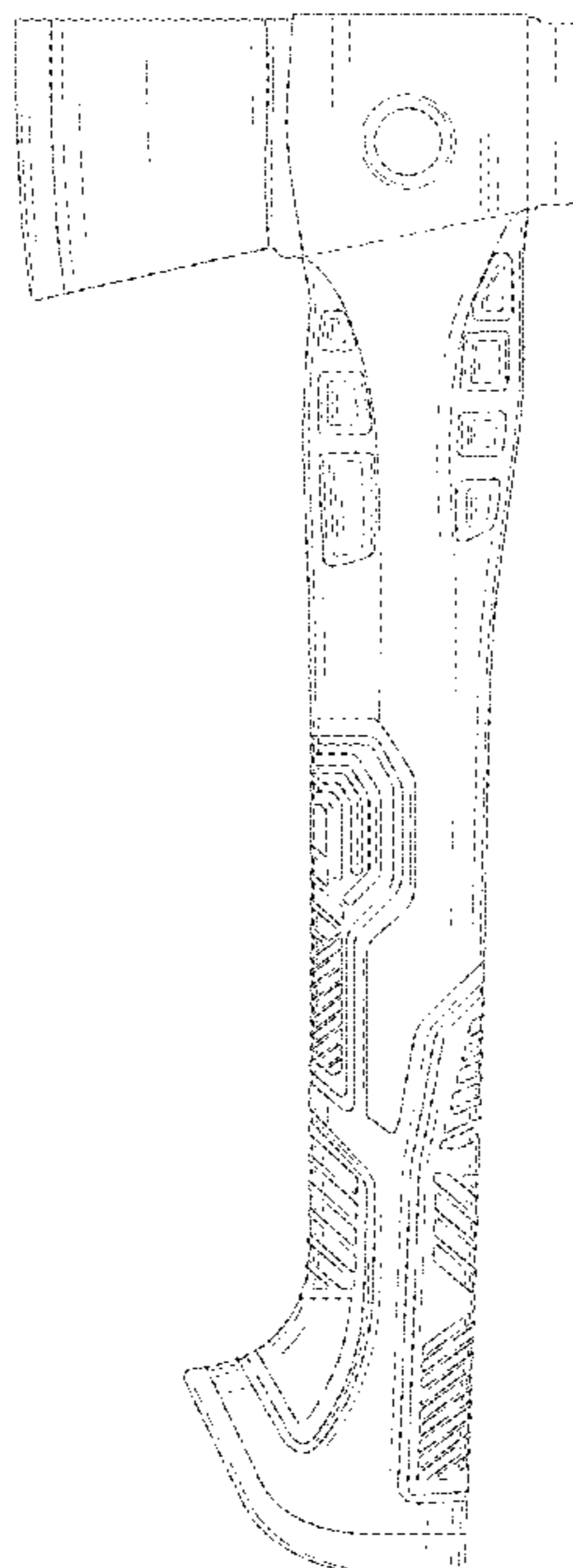
U.S. PATENT DOCUMENTS

5,141,353 A \* 8/1992 Meredith, Jr. .... B25G 1/10  
294/57  
D354,212 S \* 1/1995 Ronnholm ..... D8/76  
D356,480 S \* 3/1995 Ronnholm ..... D8/76  
D362,795 S \* 10/1995 Ronnholm ..... D8/76  
5,701,675 A \* 12/1997 Hall ..... B26B 23/00  
30/123  
D402,874 S \* 12/1998 Hall ..... D8/76  
D519,813 S \* 5/2006 Hung ..... D8/76

**DESCRIPTION**

FIG. 1 is a right side elevation view of an axe, embodying the new design, wherein the left side elevation view is a mirror image;  
FIG. 2 is a top plan view thereof;  
FIG. 3 is a bottom plan view thereof;  
FIG. 4 is a rear elevation view thereof; and,  
FIG. 5 is a front elevation view thereof.

**1 Claim, 5 Drawing Sheets**



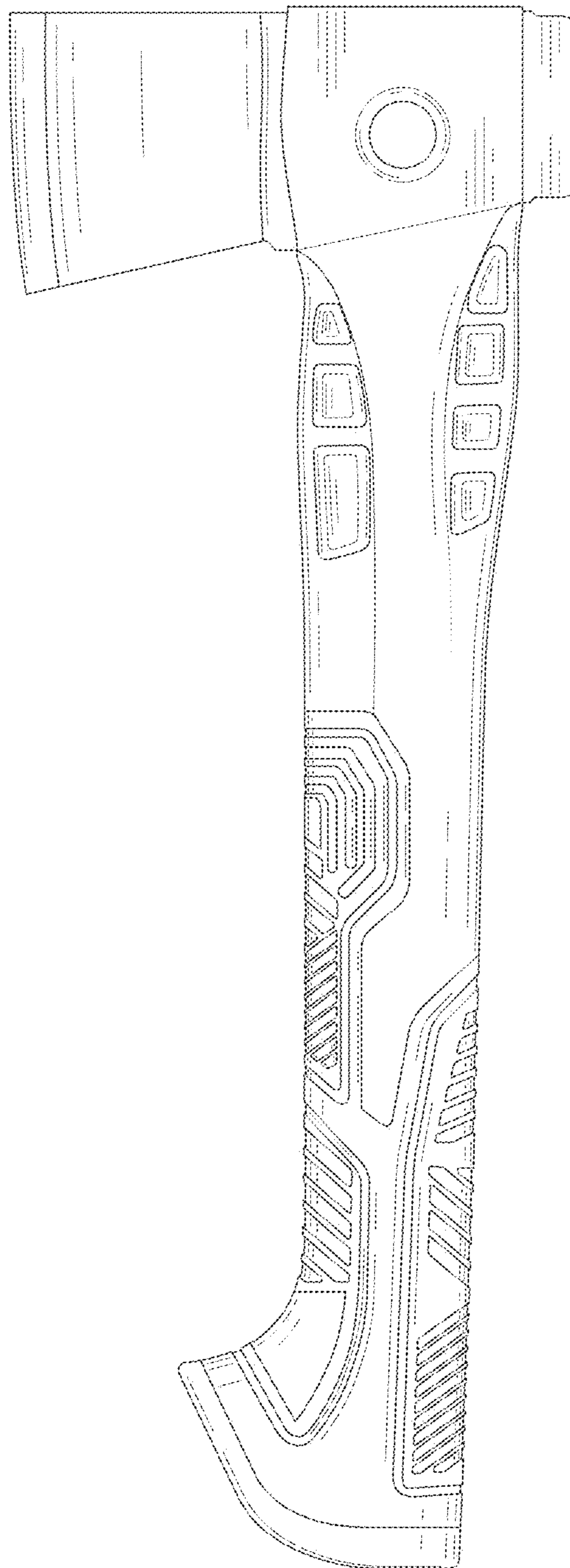


FIG. 1

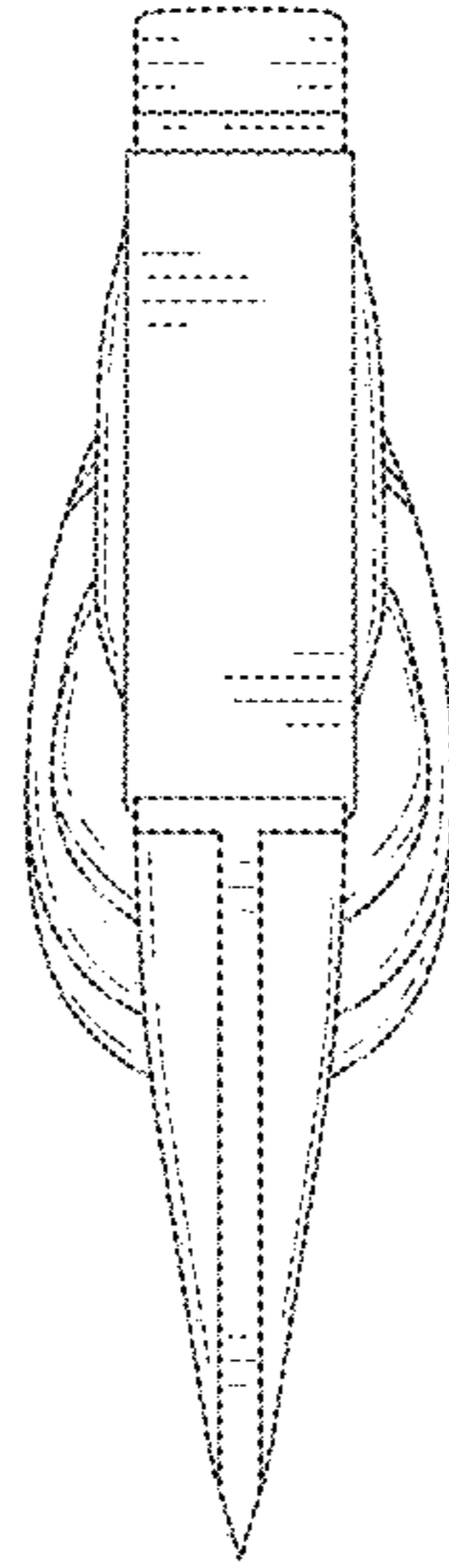


FIG. 2

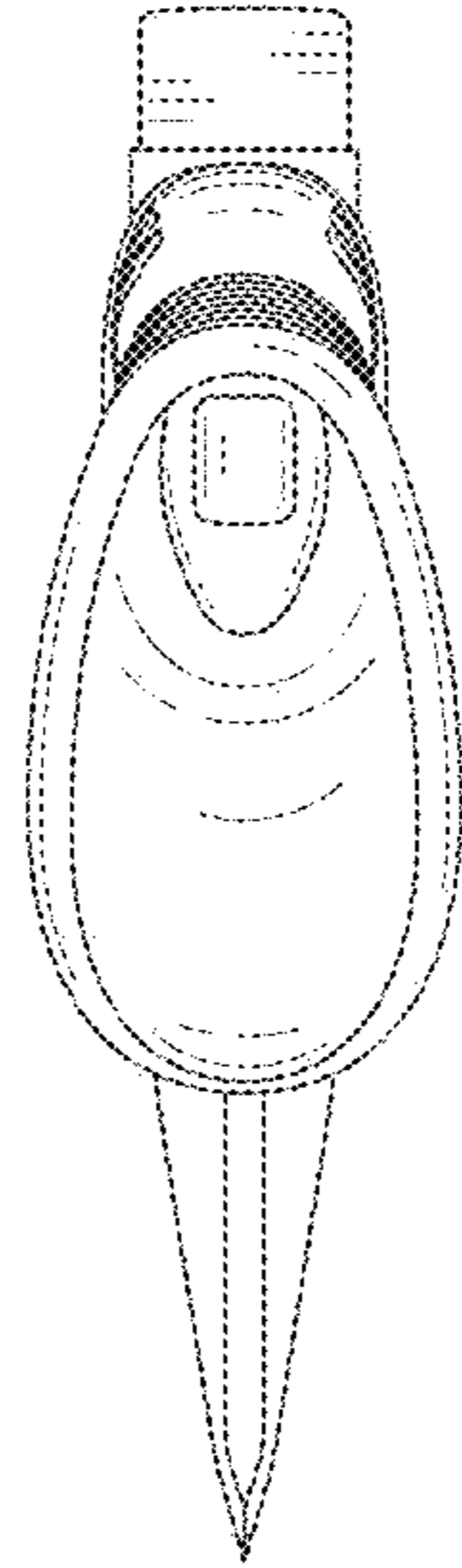


FIG. 3

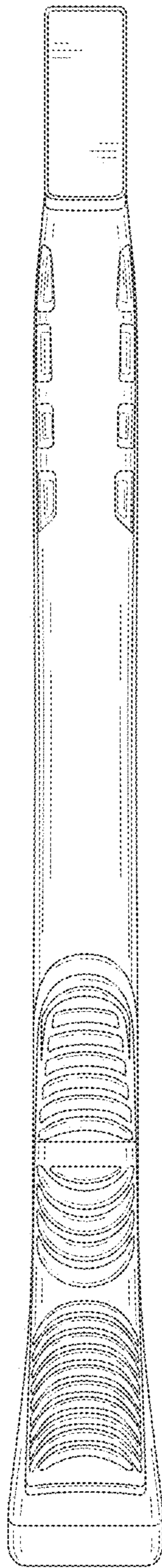


FIG. 4

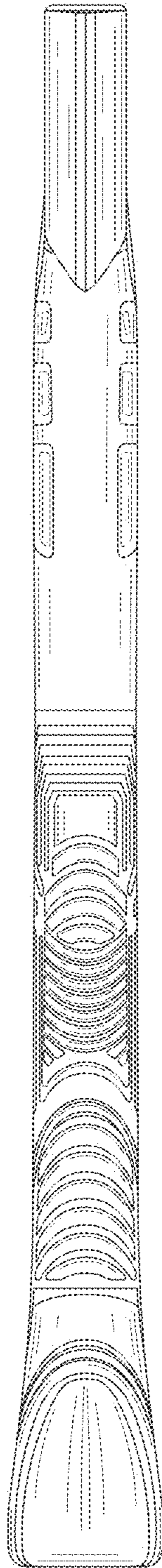


FIG. 5