



US00D945235S

(12) **United States Design Patent**
Beach et al.

(10) **Patent No.:** **US D945,235 S**
(45) **Date of Patent:** **** Mar. 8, 2022**

(54) **DRIVE SUB FOR A DRILLING TOOL**

(71) Applicant: **Imdex Technology USA LLC**, San Luis Obispo, CA (US)

(72) Inventors: **Andrew Beach**, Balcatta (AU); **Amir Mokaramian**, Balcatta (AU)

(**) Term: **15 Years**

(21) Appl. No.: **35/510,371**

(22) Filed: **Feb. 24, 2020**

(80) **Hague Agreement Data**

Int. Filing Date: **Feb. 24, 2020**
Int. Reg. No.: **DM/210238**
Int. Reg. Date: **Feb. 24, 2020**
Int. Reg. Pub. Date: **Sep. 18, 2020**

(30) **Foreign Application Priority Data**

Aug. 30, 2019 (AU) 201914984
Aug. 30, 2019 (AU) 201914985

(51) **LOC (13) Cl.** **08-01**

(52) **U.S. Cl.**
USPC **D8/70**

(58) **Field of Classification Search**
USPC D8/70, 72, 82, 85, 86, 354, 356, 382, D8/383, 384, 394, 400, 402, 403, 499
CPC A47G 1/20; A62B 1/22; B28B 23/005; B66C 1/666; E04C 5/16; E04C 2/3405; E21B 12/00

See application file for complete search history.

(56) **References Cited**

U.S. PATENT DOCUMENTS

D262,938 S * 2/1982 Schulze D8/70
D298,605 S * 11/1988 Colgan D8/382
D317,455 S * 6/1991 Martin D15/139
D417,916 S * 12/1999 Ribe D25/38.1

D419,860 S * 2/2000 Persson D8/382
D459,961 S * 7/2002 Carroll E21B 12/00
D8/29
6,499,381 B2 * 12/2002 Ladish B25B 23/0064
81/429
D570,663 S * 6/2008 Duggan D8/70
9,488,022 B2 * 11/2016 Alix E21B 31/12
D793,831 S * 8/2017 Russell D8/70
D793,833 S * 8/2017 Russell D8/70
D813,015 S * 3/2018 O'Brien D8/356
D853,808 S * 7/2019 Hyma D8/29
10,732,020 B1 * 8/2020 Spriggs E21B 12/00
D896,047 S * 9/2020 Hyma B23B 31/06
D8/29
D907,156 S * 1/2021 Purnomohadi D22/108
D925,317 S * 7/2021 Kai B25B 23/0064
D8/70

(Continued)

Primary Examiner — Karen S Acker

(74) *Attorney, Agent, or Firm* — Felix L. Fischer

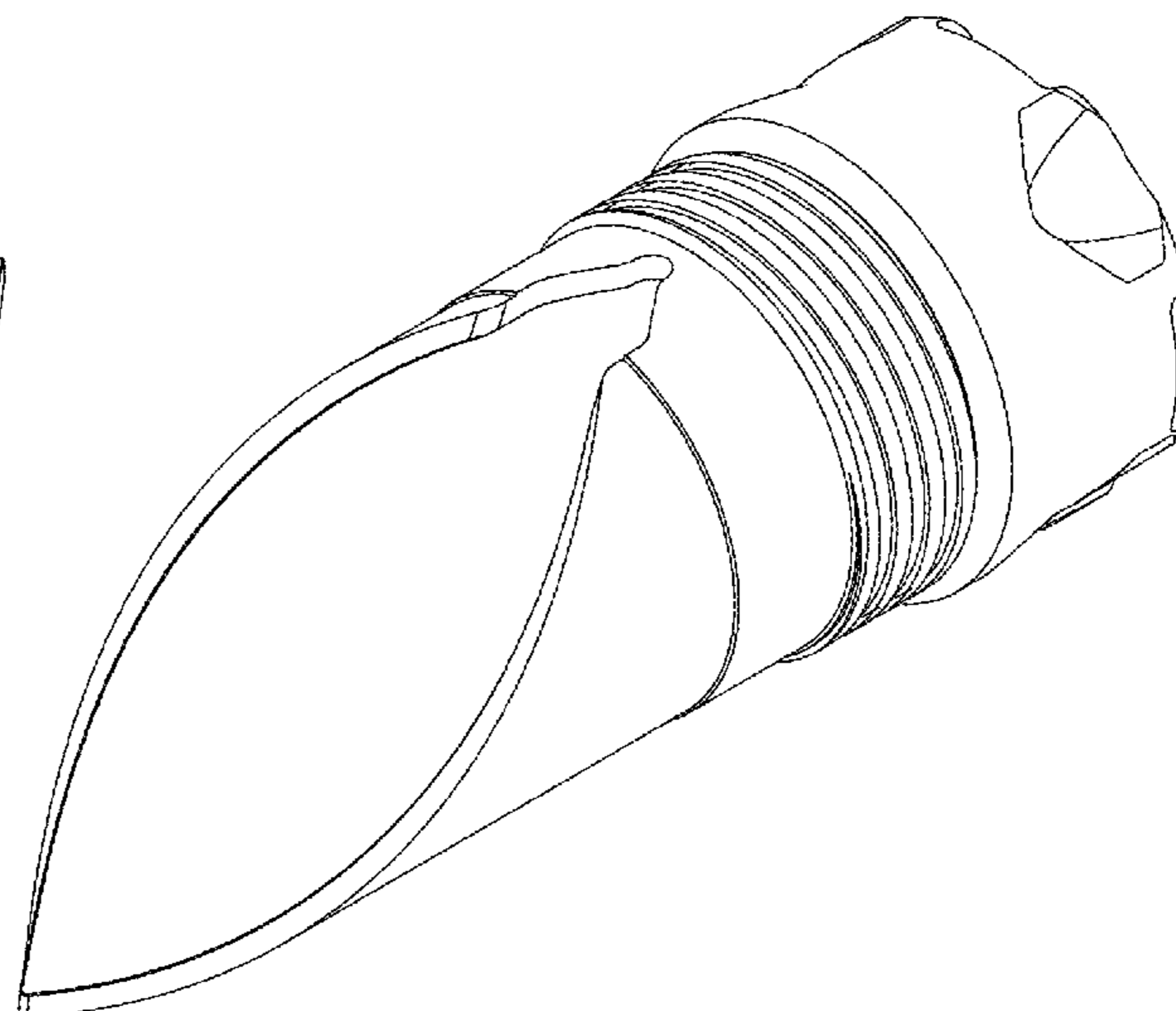
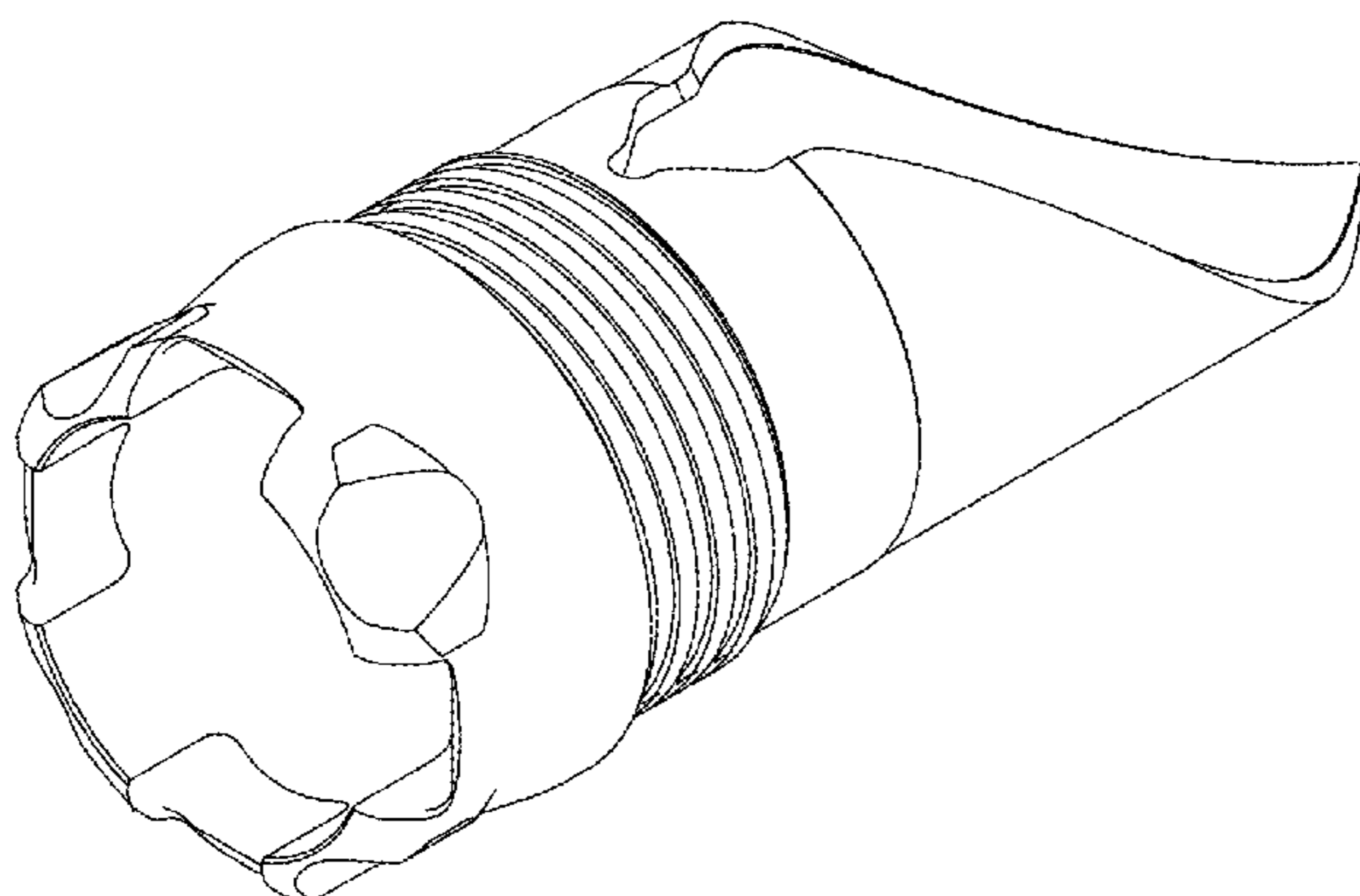
(57) **CLAIM**

The ornamental design for a drive sub for a drilling tool, as shown and described.

DESCRIPTION

FIG. 1 is a front perspective view according to the present design;
FIG. 2 is a rear perspective view;
FIG. 3 is a top side view;
FIG. 4 is a front side view;
FIG. 5 is a bottom side view;
FIG. 6 is a back side view;
FIG. 7 is a left end view;
FIG. 8 is a right end view;
FIG. 9 is a sectional front side view in the direction indicated by Line 9-9 in FIG. 7;
FIG. 10 is a sectional view in the direction indicated by Line 10-10 in FIG. 7; and,
FIG. 11 is a sectional view in the direction indicated by Line 11-11 in FIG. 7.

1 Claim, 6 Drawing Sheets



(56)

References Cited

U.S. PATENT DOCUMENTS

2004/0195852 A1* 10/2004 Beach E21B 25/02
294/86.29
2009/0008886 A1* 1/2009 Shu B23B 31/06
279/103
2015/0041218 A1* 2/2015 Toler, Jr. E21B 7/10
175/61
2017/0204608 A1* 7/2017 Yang E04C 5/18
2018/0071953 A1* 3/2018 Brugeaud E02D 5/30
2018/0112470 A1* 4/2018 Vincent E21B 17/043
2020/0063500 A1* 2/2020 Dorin E21B 12/00
2020/0232291 A1* 7/2020 Beach E21B 23/12

* cited by examiner

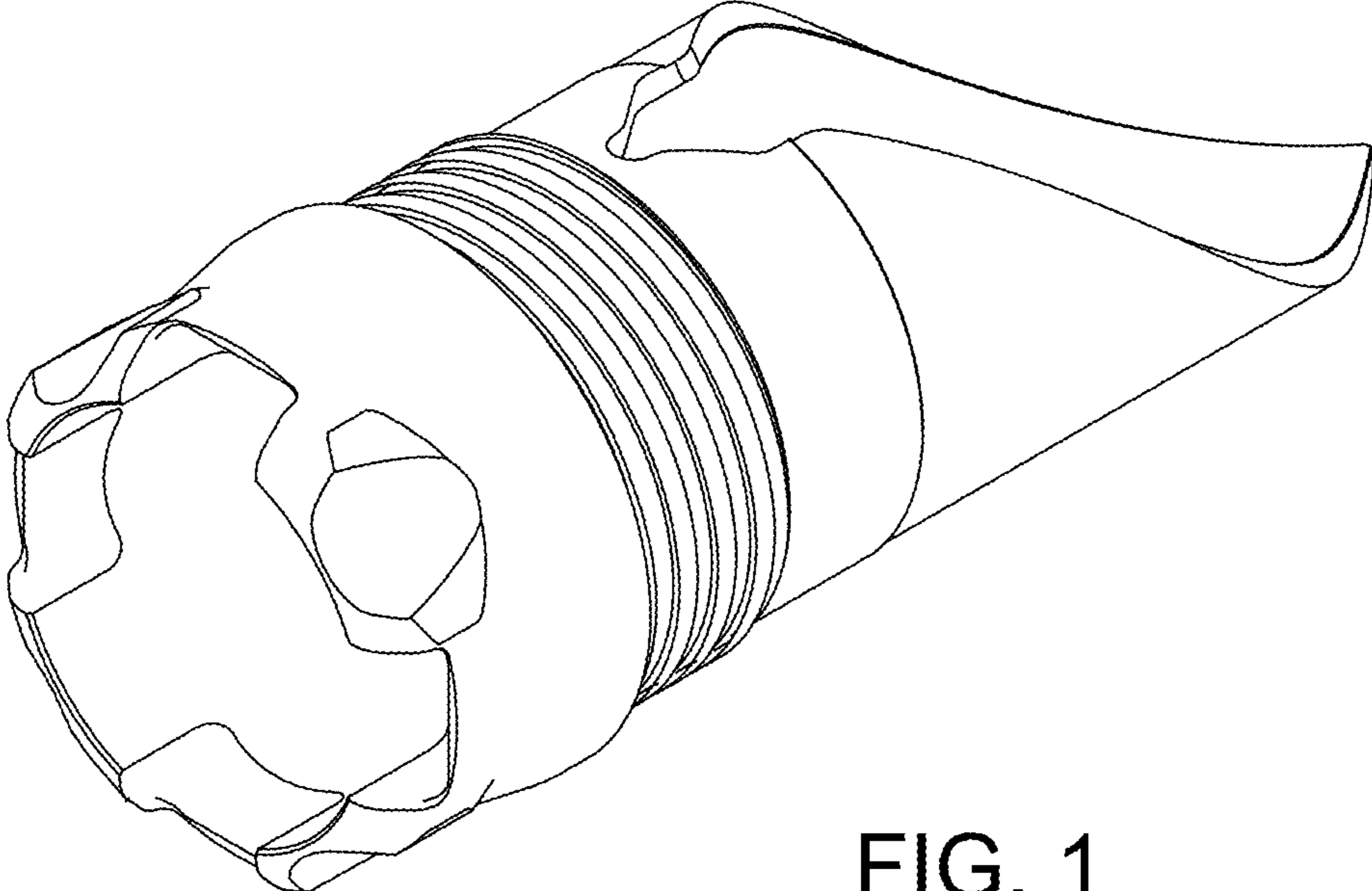


FIG. 1

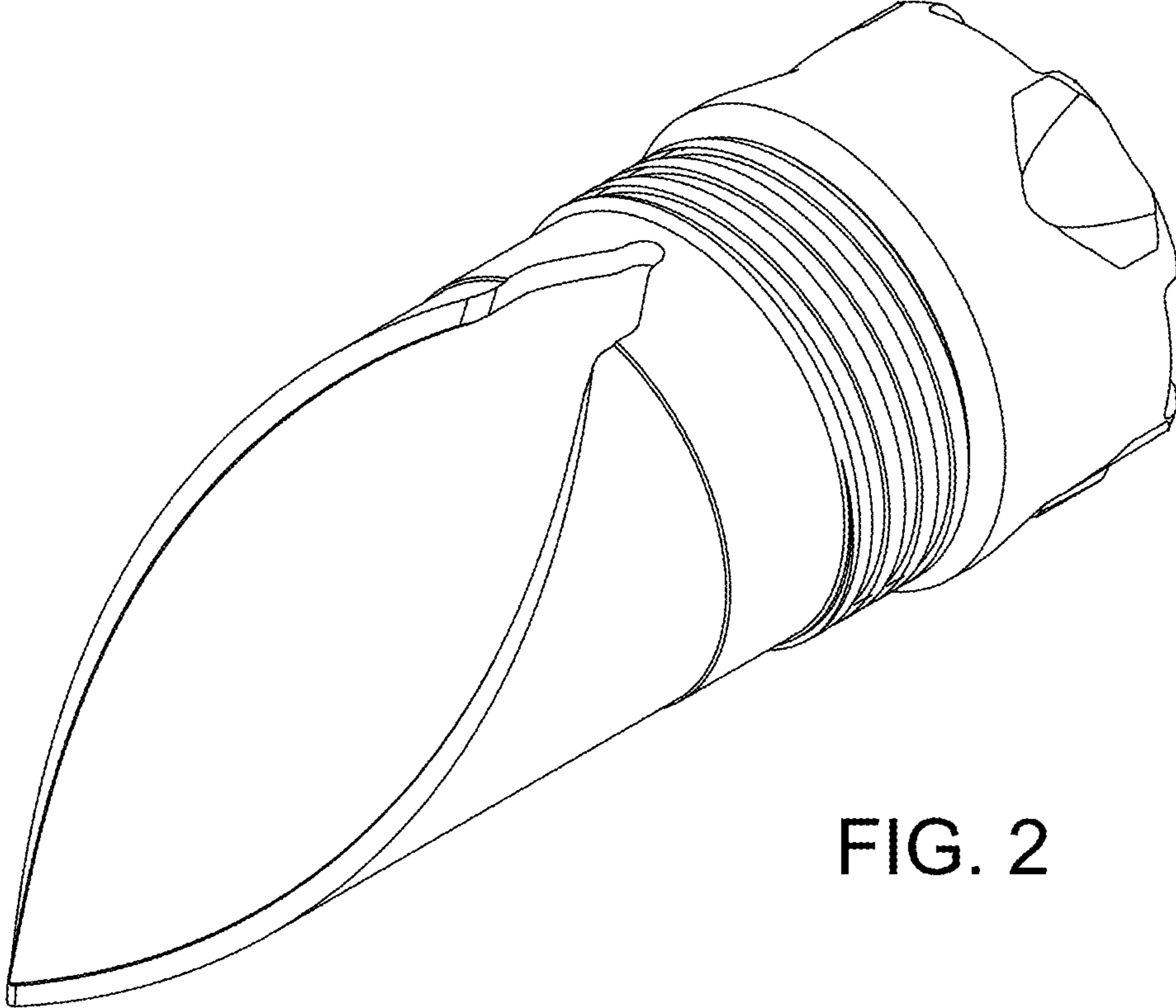


FIG. 2

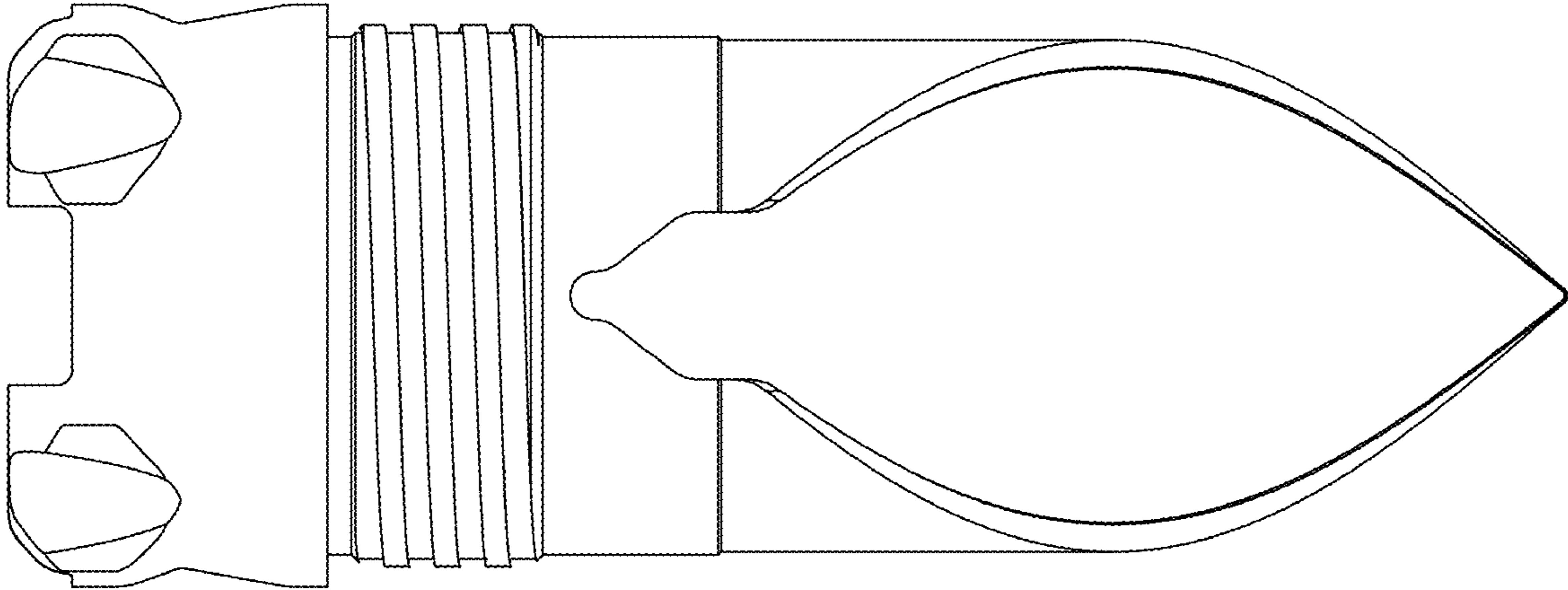


FIG. 3

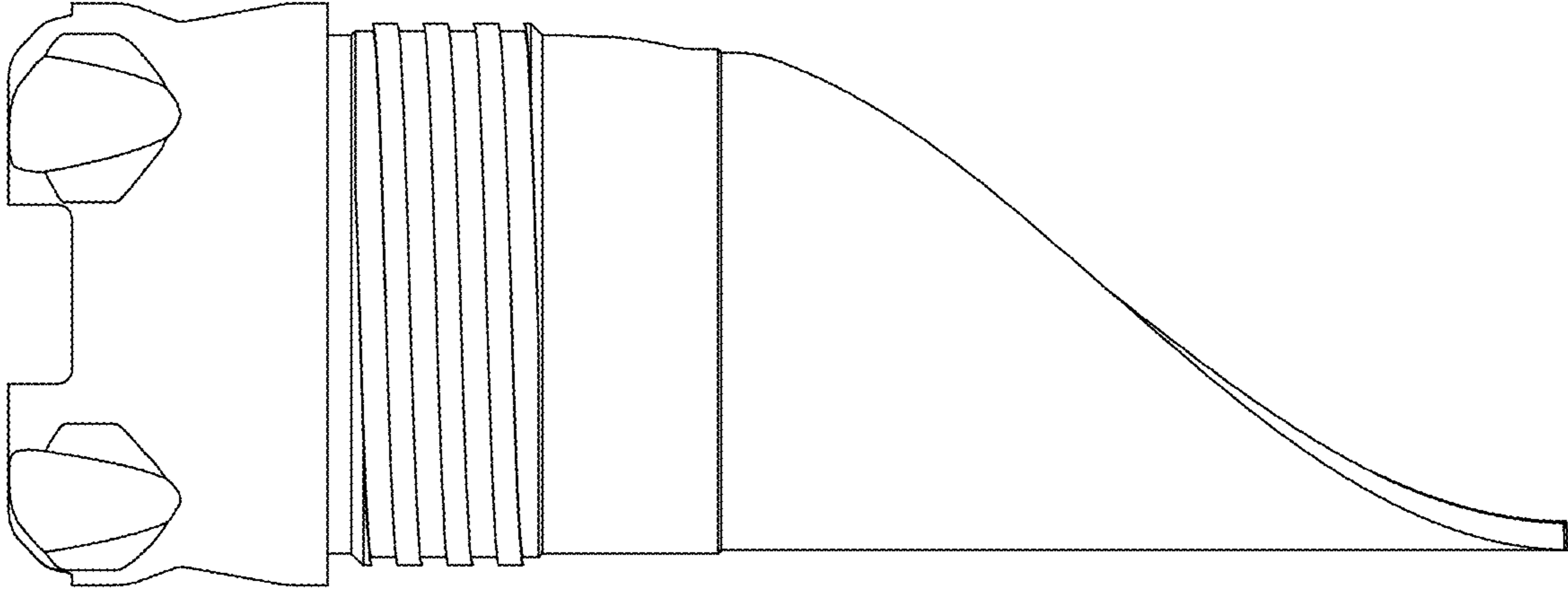


FIG. 4

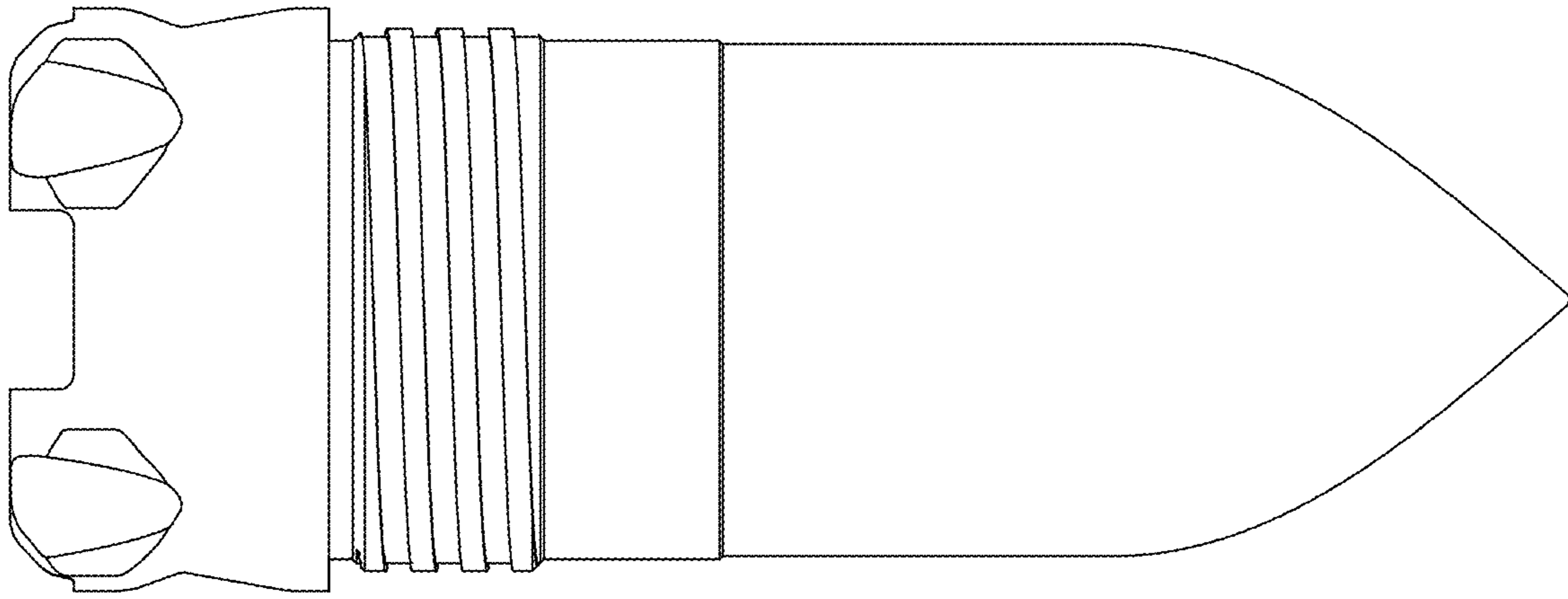


FIG. 5

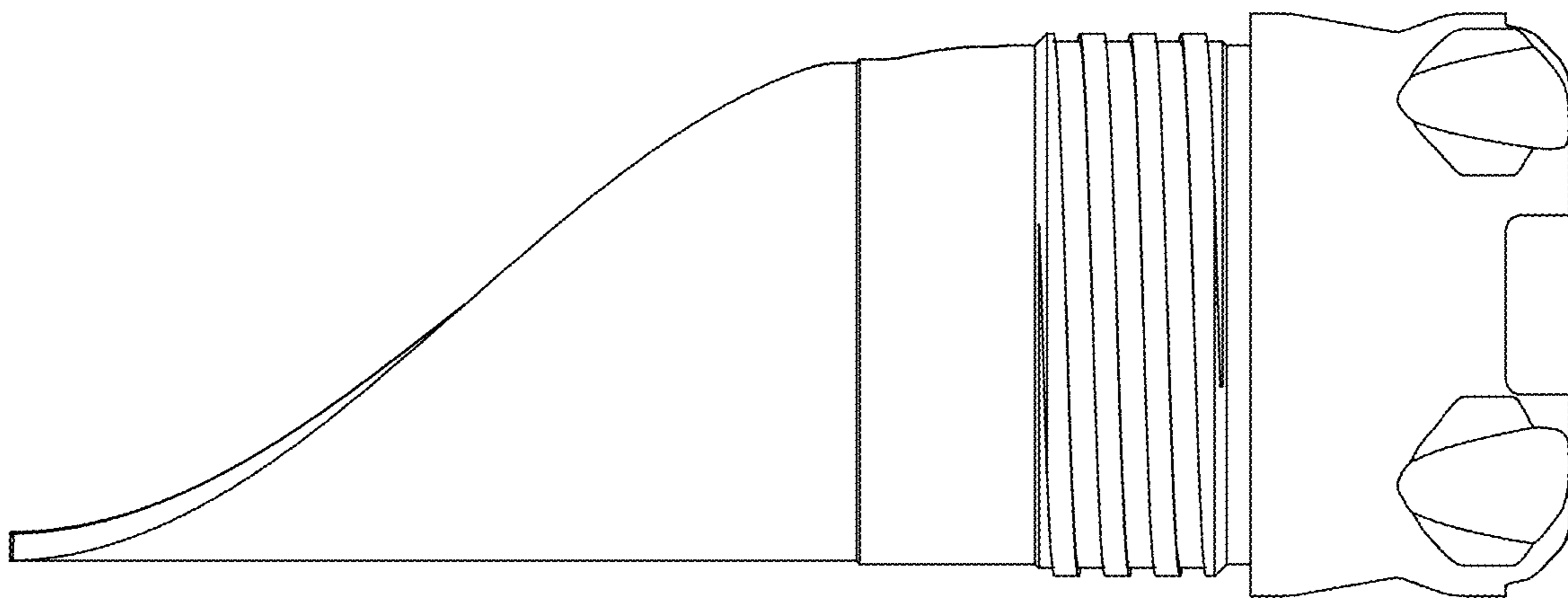


FIG. 6

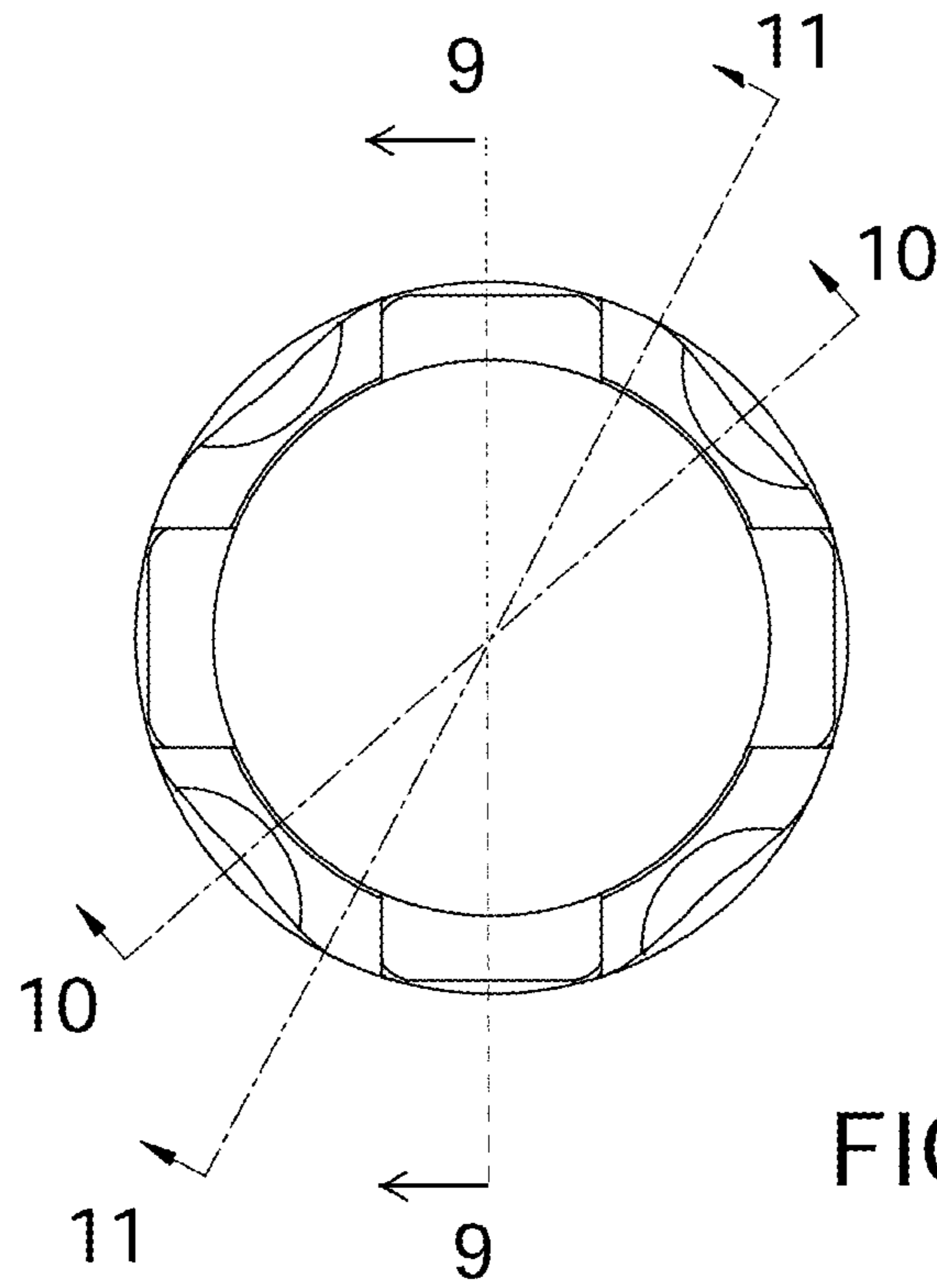


FIG. 7

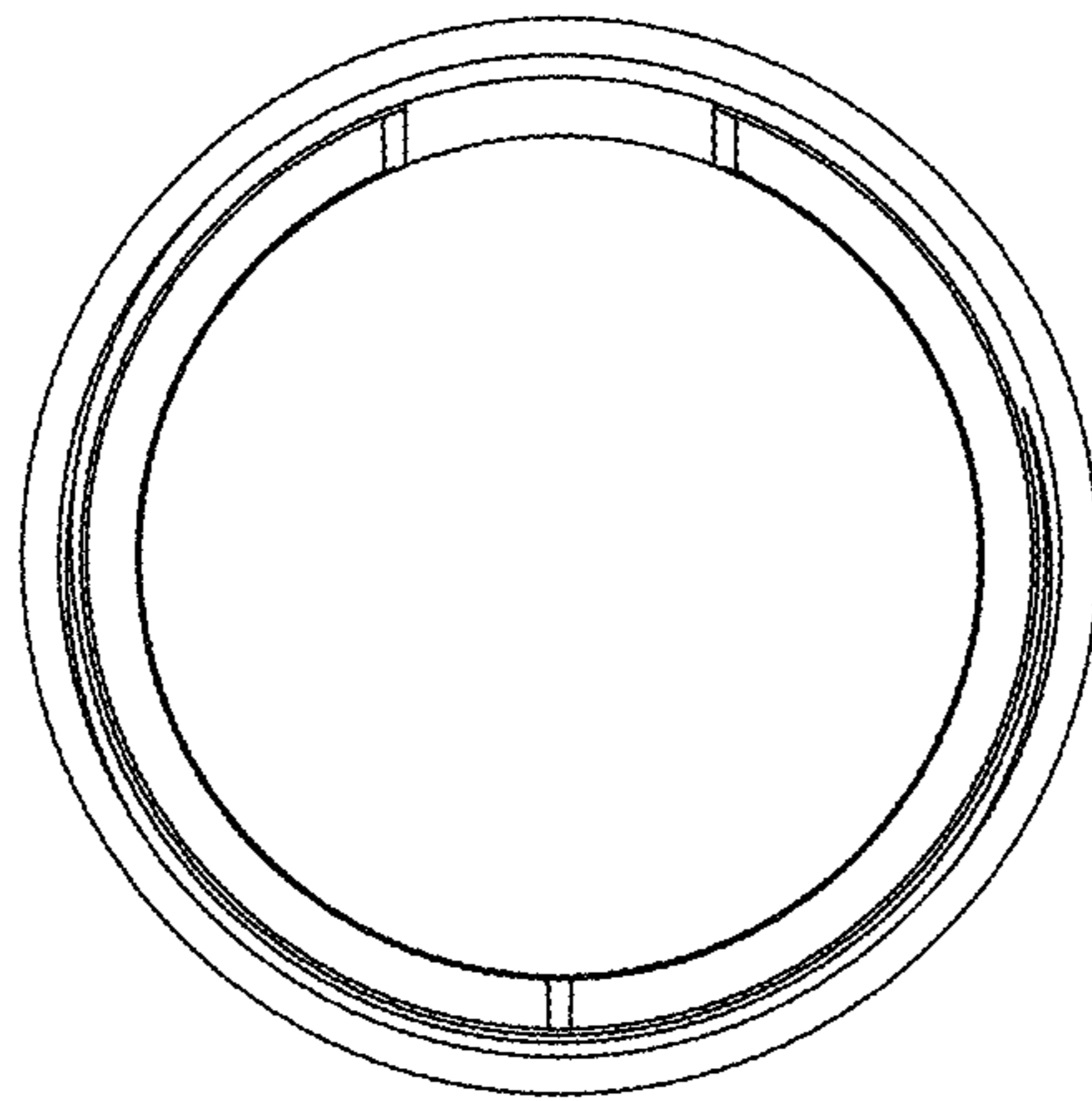


FIG. 8

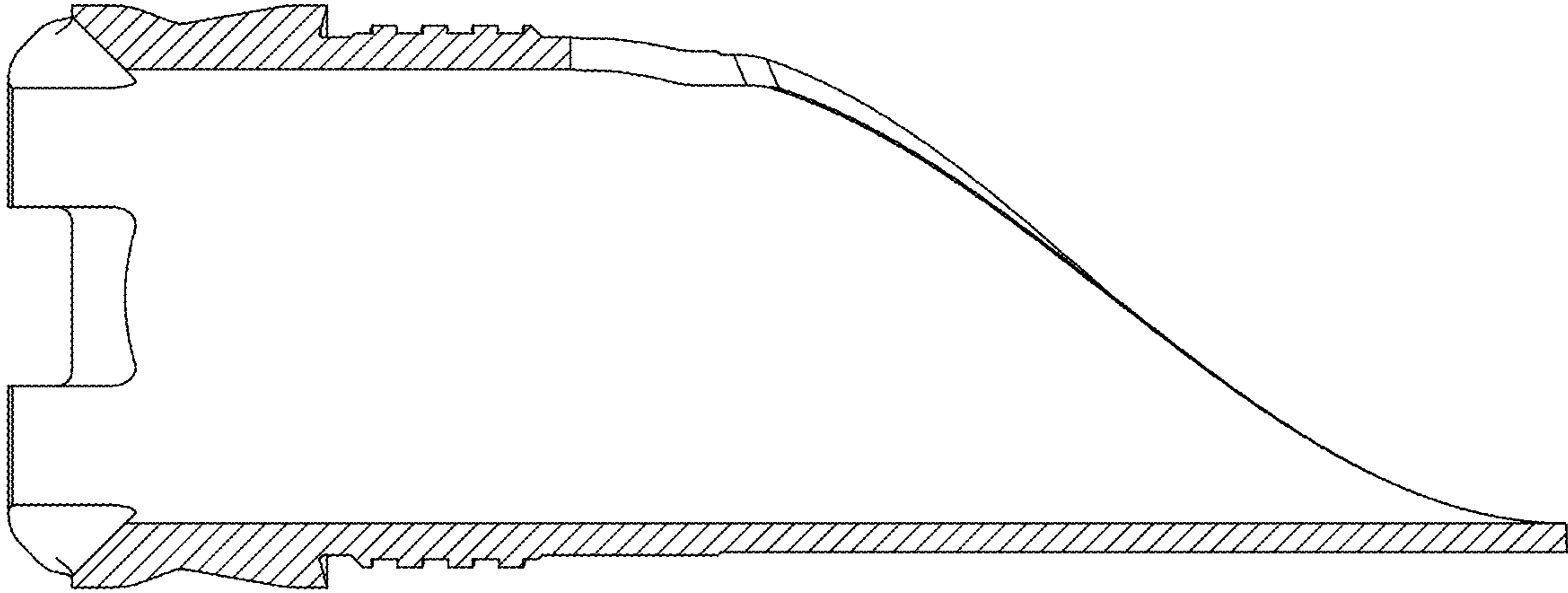


FIG. 9

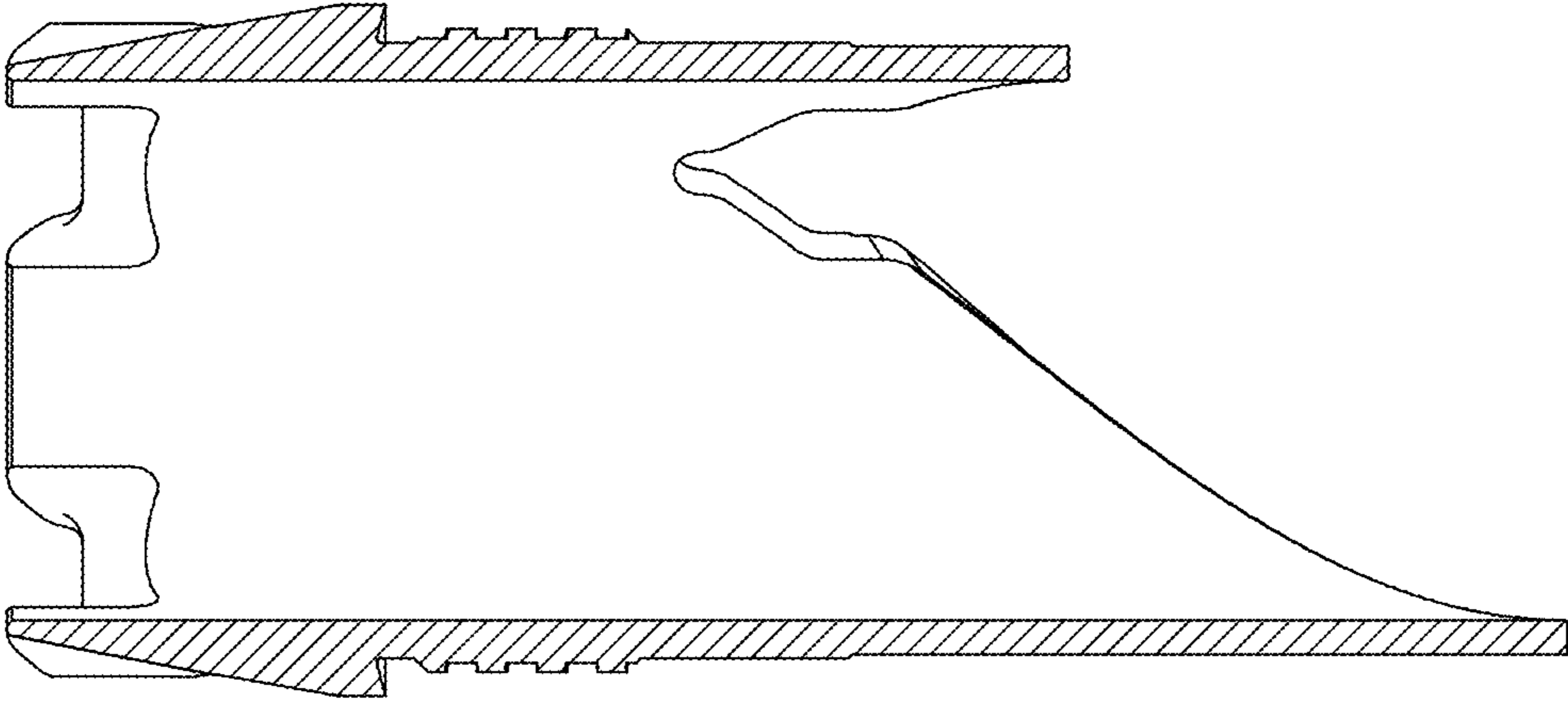


FIG. 10

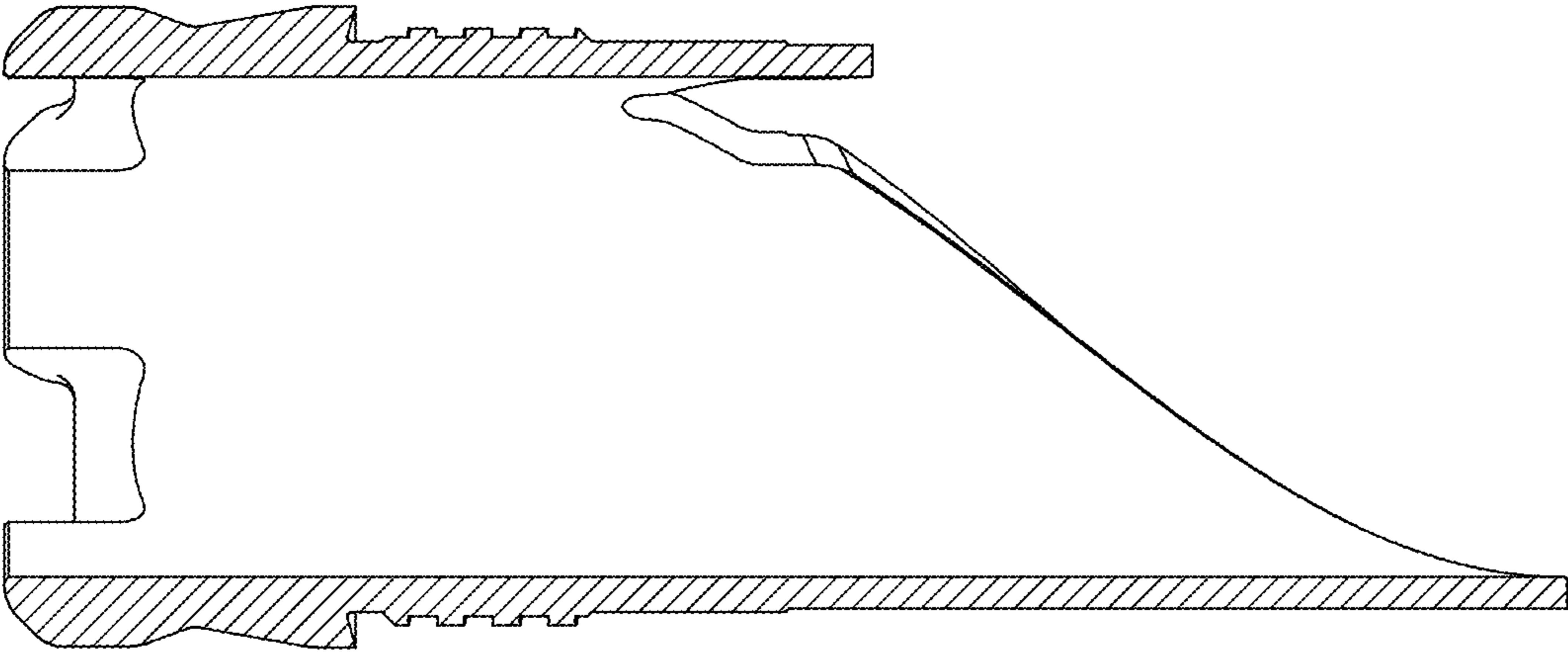


FIG. 11