



US00D945234S

(12) **United States Design Patent** (10) **Patent No.:** **US D945,234 S**
Brown et al. (45) **Date of Patent:** **** Mar. 8, 2022**

(54) **GUARD FOR USE WITH A POWER TOOL**

OTHER PUBLICATIONS

(71) Applicant: **PAUL MUELLER COMPANY**,
Springfield, MO (US)
(72) Inventors: **Robert Aaron Brown**, Springfield, MO
(US); **Daniel Chronister**, Springfield,
MO (US); **David Moore**, Springfield,
MO (US); **William Hewett**, Springfield,
MO (US); **Gregg Shirey**, Springfield,
MO (US)

Jenny Stanley. "36 Miter Saw Tips and Tool Reviews." Family Handyman., Aug. 10, 2017 [online], [retrieved on Apr. 25, 2020], Retrieved from the Internet <URL: https://www.familyhandyman.com/tools/36-miter-saw-tips-and-tool-reviews/>.*

(Continued)

(73) Assignee: **PAUL MUELLER COMPANY**,
Springfield, IL (US)

Primary Examiner — Darlington Ly
(74) *Attorney, Agent, or Firm* — Steptoe & Johnson LLP

(**) Term: **15 Years**

(57) **CLAIM**

The ornamental design for a guard for use with a power tool, as shown and described.

(21) Appl. No.: **29/657,972**

(22) Filed: **Jul. 26, 2018**

DESCRIPTION

(51) **LOC (13) Cl.** **08-05**

(52) **U.S. Cl.**
USPC **D8/70; D8/66**

(58) **Field of Classification Search**
USPC D8/64, 66, 67, 69, 70; D10/64;
D15/138; D24/146
CPC B23D 45/16; B27B 9/00; B27G 19/02;
B27G 19/04
See application file for complete search history.

FIG. 1 is a perspective view of a guard for use with a power tool showing our new design;
FIG. 2 is a rear elevation view thereof;
FIG. 3 is a right-side elevation view thereof;
FIG. 4 is a front elevation view thereof;
FIG. 5 is a left-side elevation view thereof;
FIG. 6 is a top plan view thereof with the latch of the guard in a closed position;
FIG. 7 is a bottom plan view thereof;
FIG. 8 is top plan view thereof with the latch of the guard in an opened position;
FIG. 9 is a side isometric view thereof coupled to an exemplary power tool;
FIG. 10 is a front isometric view thereof coupled to an exemplary power tool; and,
FIG. 11 is a bottom plan view thereof coupled to an exemplary power tool.

(56) **References Cited**

U.S. PATENT DOCUMENTS

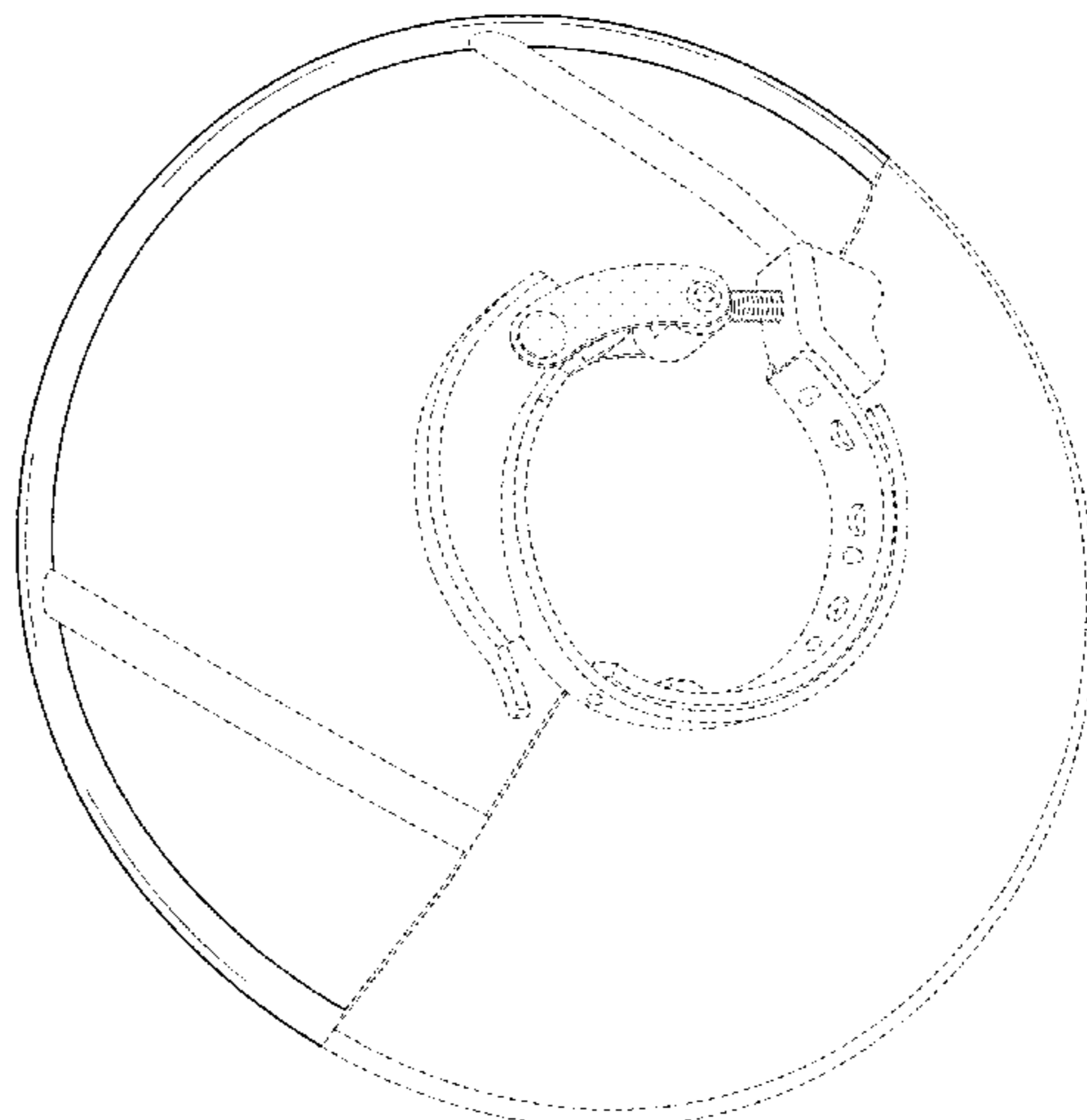
2,589,309 A * 3/1952 Tompkins B27G 19/02
83/478
4,059,930 A 11/1977 Alessio
4,397,089 A * 8/1983 Pease B23Q 9/0028
30/373
4,982,501 A * 1/1991 Sauerwein B27B 9/02
30/376
D329,363 S * 9/1992 Sasaki D8/66
D337,500 S * 7/1993 Hutchings, II D8/70
5,537,748 A * 7/1996 Takahashi B23D 59/006
30/124

The broken lines in the drawings illustrate portions of the guard and an exemplary power tool that do not form part of the claimed design.

The dashed lines form no part of the claimed design.

(Continued)

1 Claim, 9 Drawing Sheets



(56)

References Cited

U.S. PATENT DOCUMENTS

D400,417 S * 11/1998 Moran, II D8/70
 D408,248 S * 4/1999 Zurwelle D8/66
 D411,425 S * 6/1999 Sugimoto D8/66
 5,918,522 A * 7/1999 Benedict B27G 19/02
 83/397
 5,937,720 A * 8/1999 Itzov B23D 45/048
 83/397
 5,950,514 A * 9/1999 Benedict B23D 45/042
 83/397
 6,055,734 A * 5/2000 McCurry B27B 9/00
 30/391
 D433,300 S * 11/2000 Buck D8/66
 D445,013 S * 7/2001 Etter D8/66
 6,279,442 B1 * 8/2001 Chang B27G 19/02
 83/397
 6,308,424 B1 * 10/2001 Stielper B23D 59/003
 30/391
 D453,099 S * 1/2002 Welsh D8/66
 D456,234 S * 4/2002 Keller D8/396
 D456,685 S * 5/2002 Keller D8/70
 D461,695 S * 8/2002 Van Wambeke D8/70
 D471,783 S * 3/2003 McAuliffe D8/66
 D494,823 S * 8/2004 Overthun D8/20
 6,988,939 B2 1/2006 Hofmann et al.
 7,089,671 B2 * 8/2006 Haneda B27B 9/00
 30/374
 D537,692 S * 3/2007 Aglassinger D8/70
 7,243,587 B2 * 7/2007 Carroll B27G 19/02
 83/397
 D553,933 S * 10/2007 Esenwein D8/70
 D572,992 S * 7/2008 Reiling D8/70
 7,398,719 B2 * 7/2008 Peot B23Q 17/24
 83/520
 7,524,239 B2 * 4/2009 Schmidberger-Brinek
 B24B 23/028
 451/359

7,779,736 B2 * 8/2010 Liu B27B 5/29
 83/397
 7,892,075 B2 * 2/2011 Esenwein B24B 55/052
 451/451
 D653,080 S * 1/2012 Haley D7/376
 8,266,994 B2 * 9/2012 Cox B23Q 11/06
 83/397
 D687,281 S * 8/2013 Aglassinger D8/70
 8,695,224 B2 * 4/2014 Gehret B23D 45/16
 30/388
 9,126,275 B2 * 9/2015 Chen B27G 19/02
 D744,800 S * 12/2015 Cooksey D8/70
 9,216,490 B2 * 12/2015 Boeck B24B 7/18
 9,610,704 B2 * 4/2017 Francis B23D 45/16
 9,840,027 B2 * 12/2017 Fritz B27G 19/02
 D857,466 S * 8/2019 Webermann D7/694
 10,406,717 B2 * 9/2019 Inai B23D 45/042
 D875,499 S * 2/2020 Friedman D8/70
 10,710,267 B2 * 7/2020 Sprague B27B 5/36
 2001/0003983 A1 * 6/2001 Iida B23D 45/16
 125/13.01
 2010/0105300 A1 * 4/2010 Esenwein B24B 55/052
 451/359
 2016/0039068 A1 2/2016 Morris et al.

OTHER PUBLICATIONS

“Owner’s Manual—Craftsman 12 in. Compound Miter Saw. Double Insulated. Model No. 315.212220.” Manuals Directory., Mar. 6, 2015 [online], [retrieved on Jan. 31, 2021], Retrieved from the Internet <URL: <https://www.manualsdir.com/manuals/632713/craftsman-315212220.html?download>>.*
 “Ryobi Operator’s Manual—7¼ in. Circular Saw Double Insulated. CSB125.” Manuals Directory., Sep. 16, 2014 [online], [retrieved on Jan. 31, 2021], Retrieved from the Internet <URL: <https://www.manualsdir.com/manuals/647665/ryobi-csb125.html?download>>.*

* cited by examiner

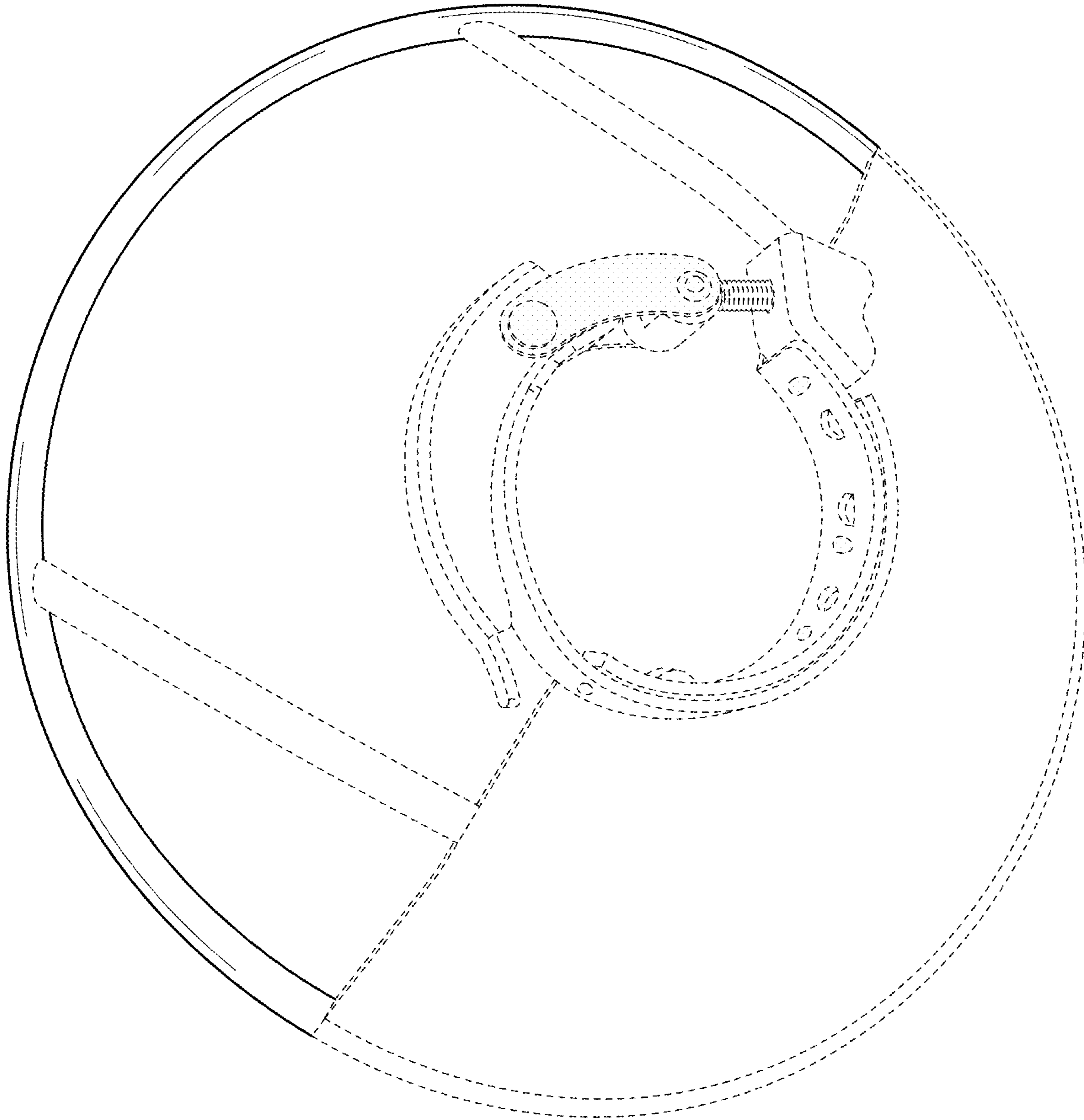


FIG. 1

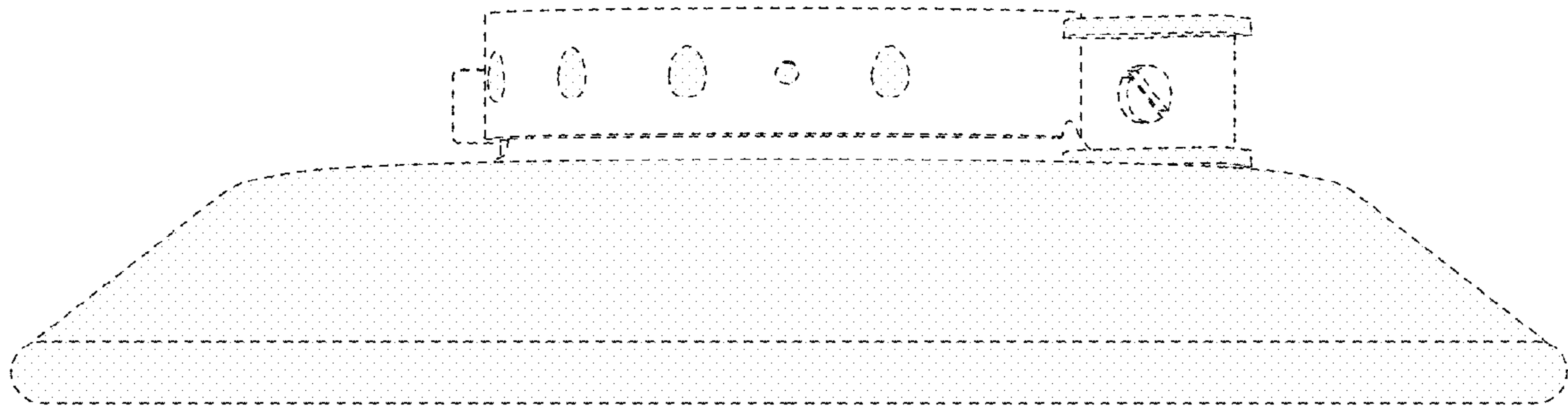


FIG. 2

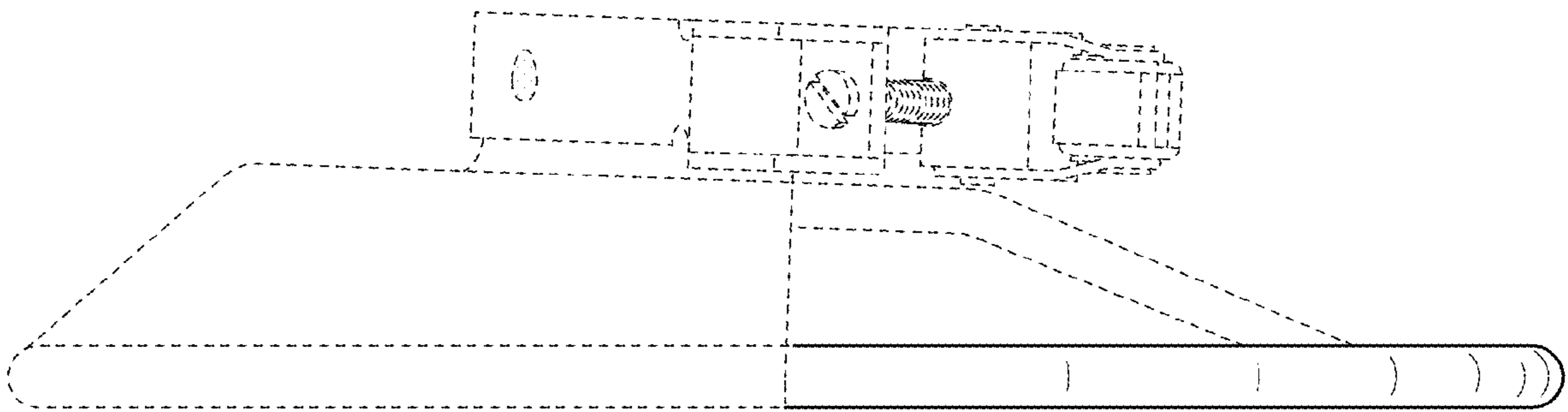


FIG. 3

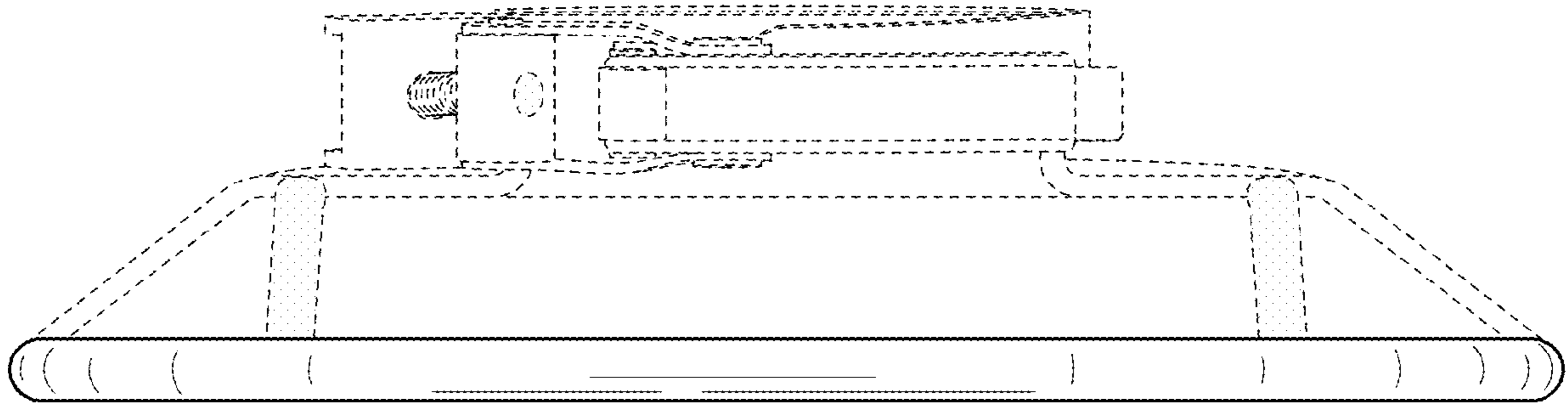


FIG. 4

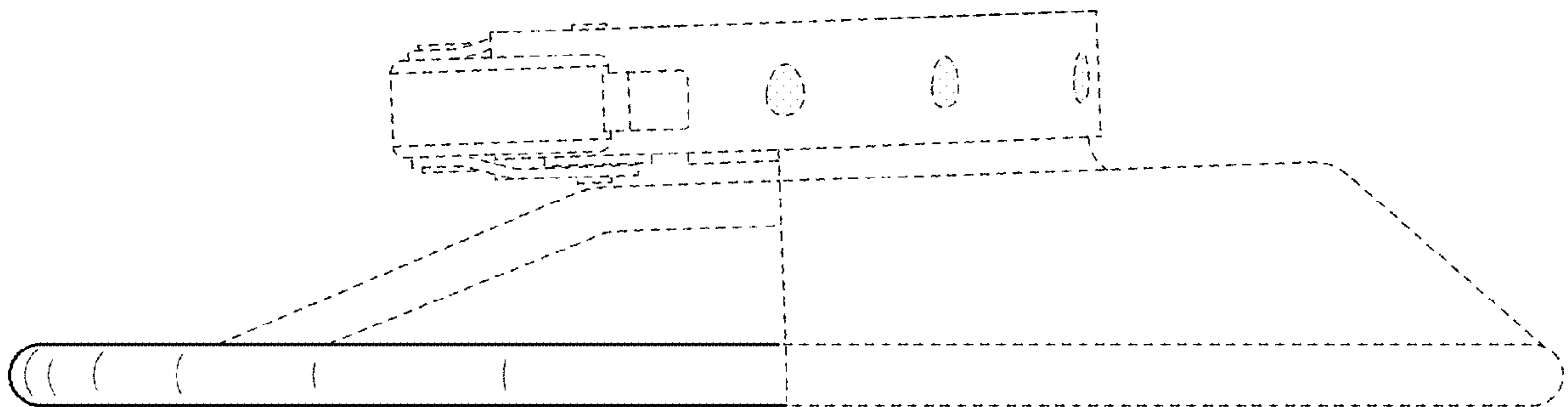


FIG. 5

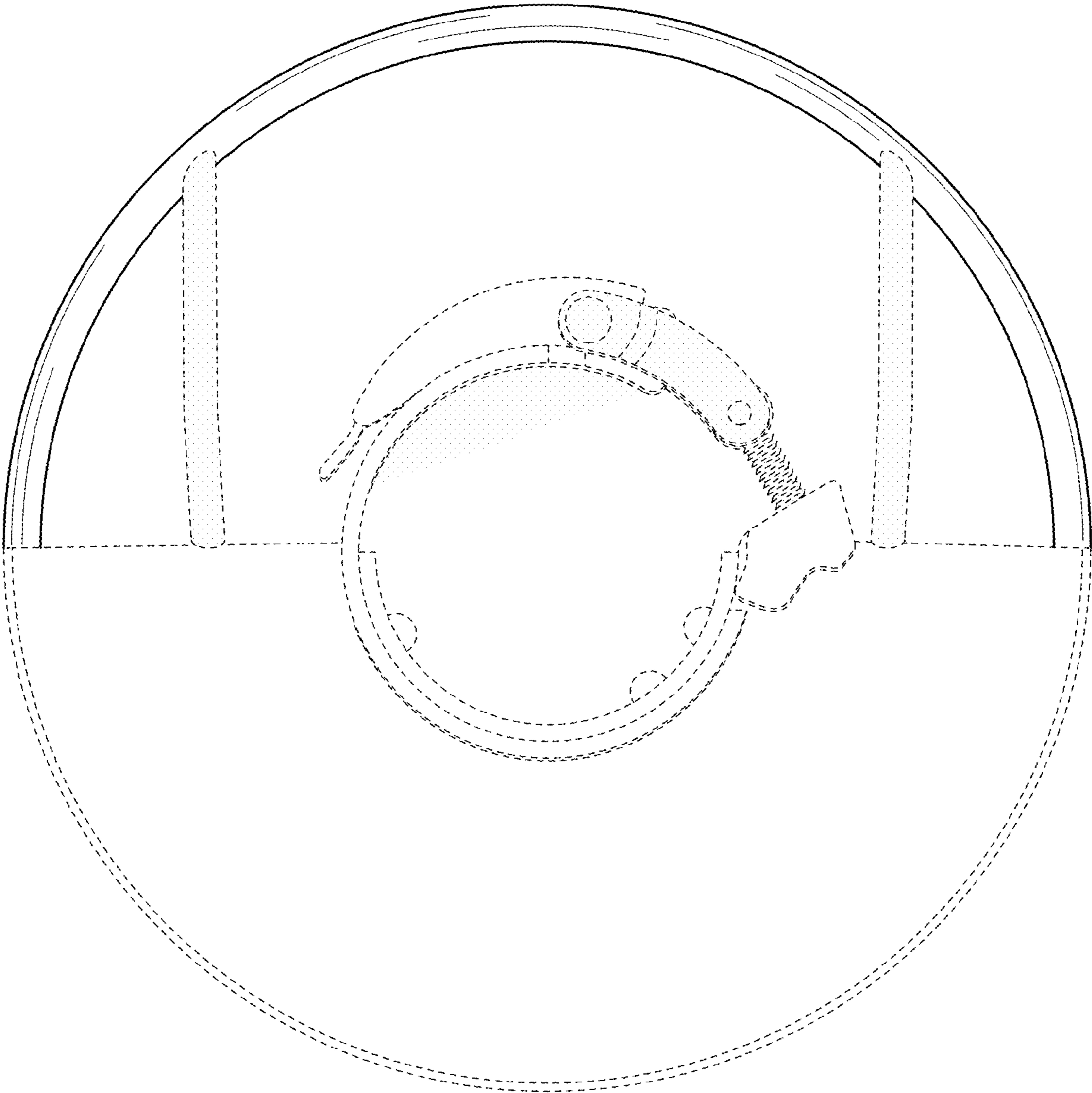


FIG. 6

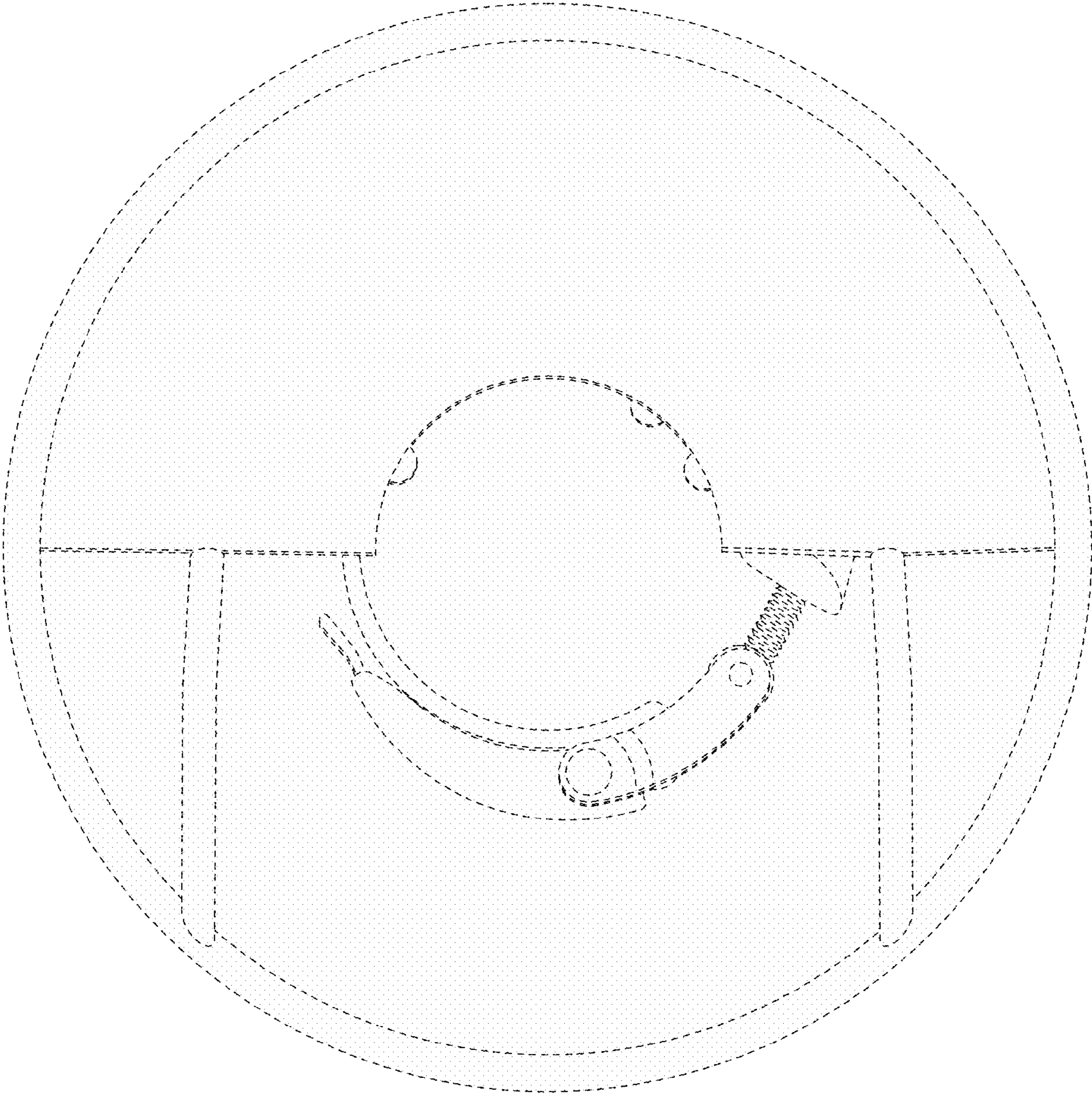


FIG. 7

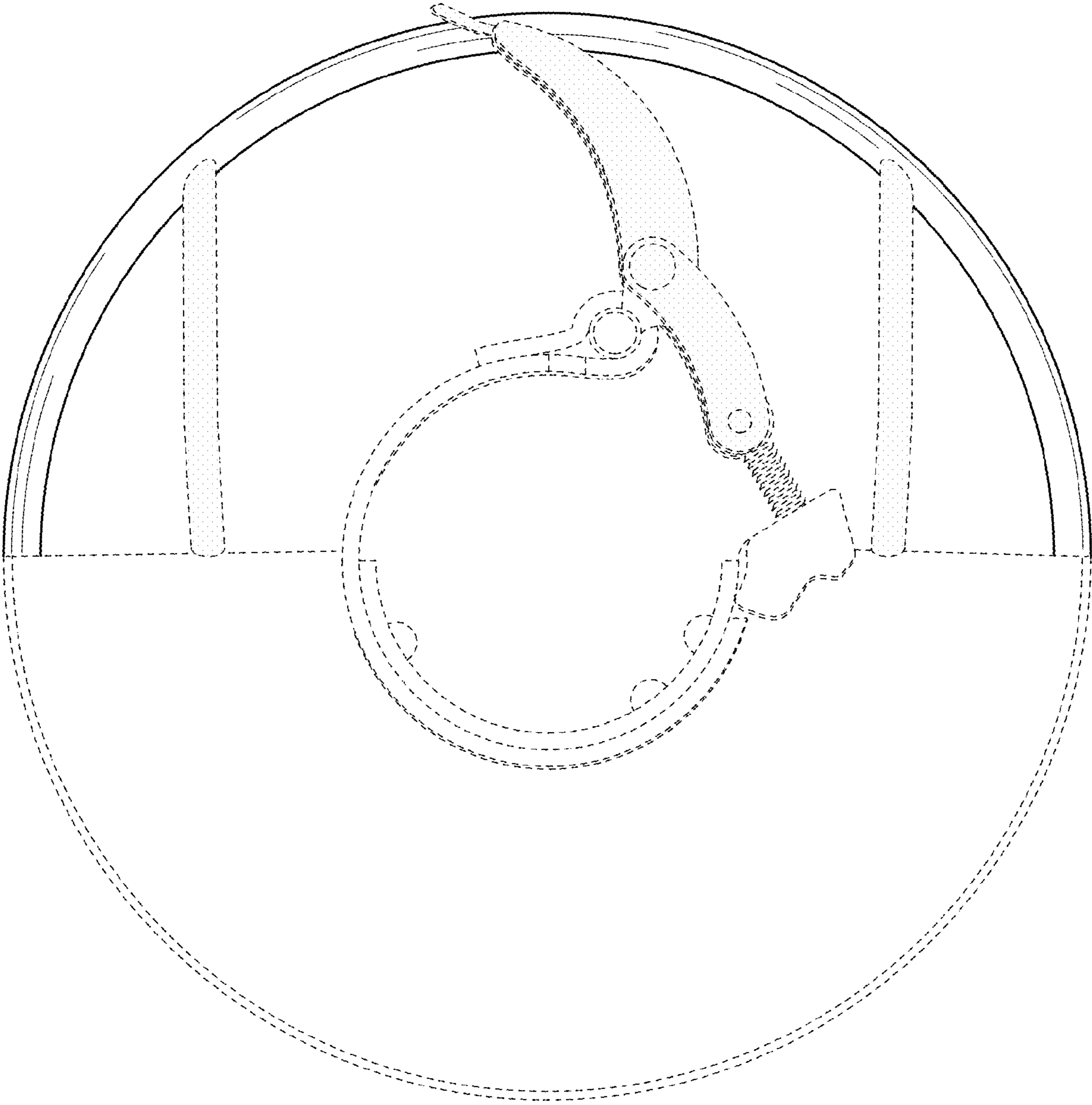


FIG. 8

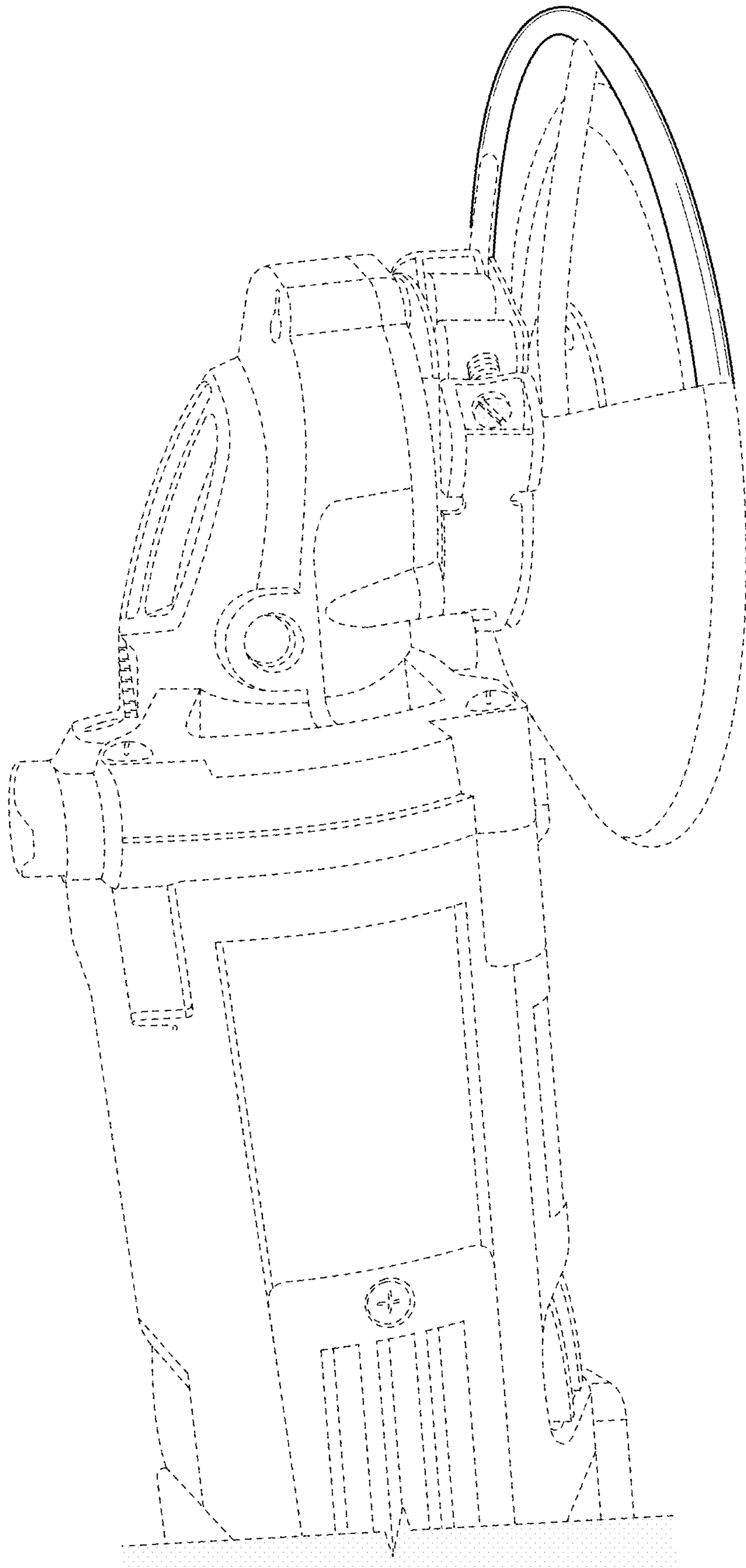


FIG. 9

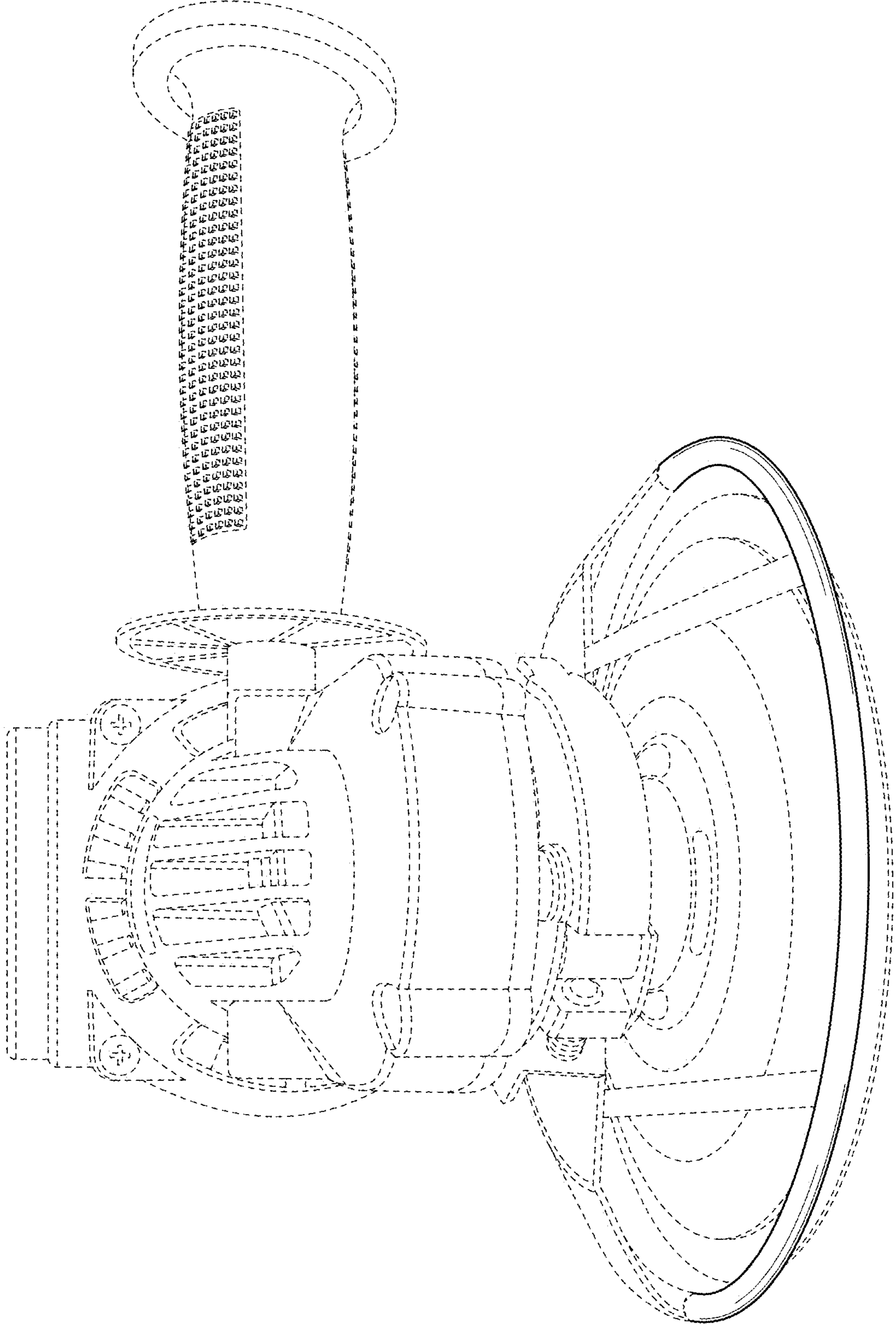


FIG. 10

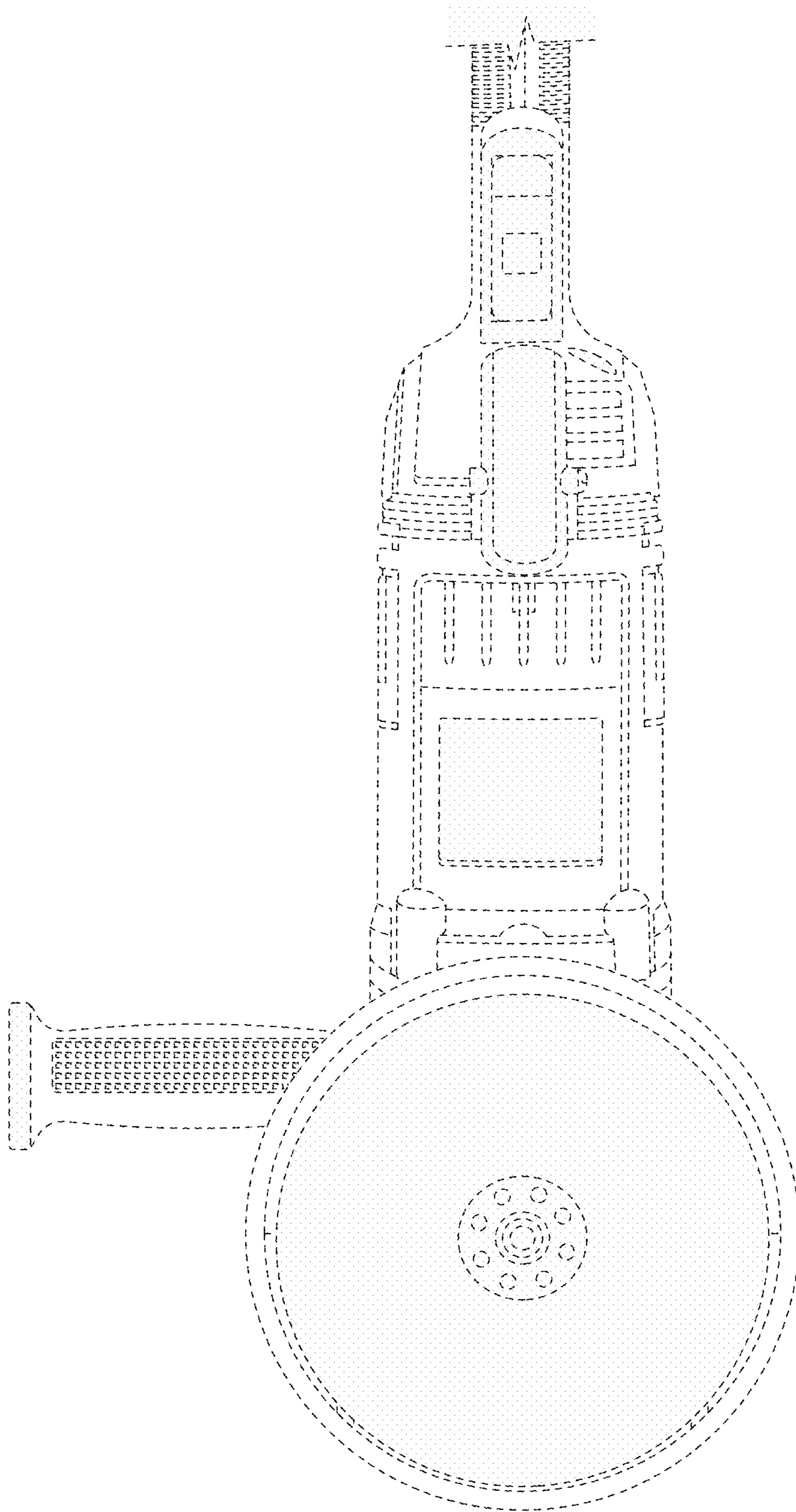


FIG. 11