



US00D945231S

(12) **United States Design Patent**
Panosian et al.

(10) **Patent No.:** **US D945,231 S**

(45) **Date of Patent:** **** Mar. 8, 2022**

(54) **PLIERS**

(71) Applicant: **TOUGHBUILT INDUSTRIES, INC.**,
Lake Forest, CA (US)

(72) Inventors: **Michael H. Panosian**, Irvine, CA (US);
Joshua Keeler, Bradbury, CA (US)

(73) Assignee: **TOUGHBUILT INDUSTRIES, INC.**,
Lake Forest, CA (US)

(**) Term: **15 Years**

(21) Appl. No.: **29/692,061**

(22) Filed: **May 22, 2019**

(51) **LOC (13) Cl.** **08-05**

(52) **U.S. Cl.**
USPC **D8/52**

(58) **Field of Classification Search**
USPC D8/51-58, 105, 107
CPC B25B 7/02; B25B 7/00; B25B 7/06
See application file for complete search history.

(56) **References Cited**

U.S. PATENT DOCUMENTS

D369,534 S	*	5/1996	Liou	D8/52
D801,771 S	*	11/2017	Wu	D8/52
D817,132 S	*	5/2018	Yang	D8/52
D827,403 S	*	9/2018	Fritz	D8/52

D855,428 S	*	8/2019	Wu	D8/52
D859,111 S	*	9/2019	Zhang	D8/52
D890,588 S	*	7/2020	Wong	D8/52
D891,888 S	*	8/2020	Jepping	D8/52
D894,712 S	*	9/2020	Panosian	D8/107
D911,144 S	*	2/2021	Panosian	D8/107
11,027,399 B2	*	6/2021	Hoppe	B25B 7/02
2016/0294168 A1	*	10/2016	Hoppe	B25B 7/22

* cited by examiner

Primary Examiner — Deanna L Pratt

(74) *Attorney, Agent, or Firm* — Nolte Lackenbach
Siegel; Myron Greenspan

(57) **CLAIM**

The ornamental design of pliers, as shown and described.

DESCRIPTION

FIG. 1 is a bottom-right perspective view of the pliers showing our new design;

FIG. 2 is a top-right perspective view thereof;

FIG. 3 is a front elevational view thereof;

FIG. 4 is a rear elevational view thereof;

FIG. 5 is a right elevational view thereof;

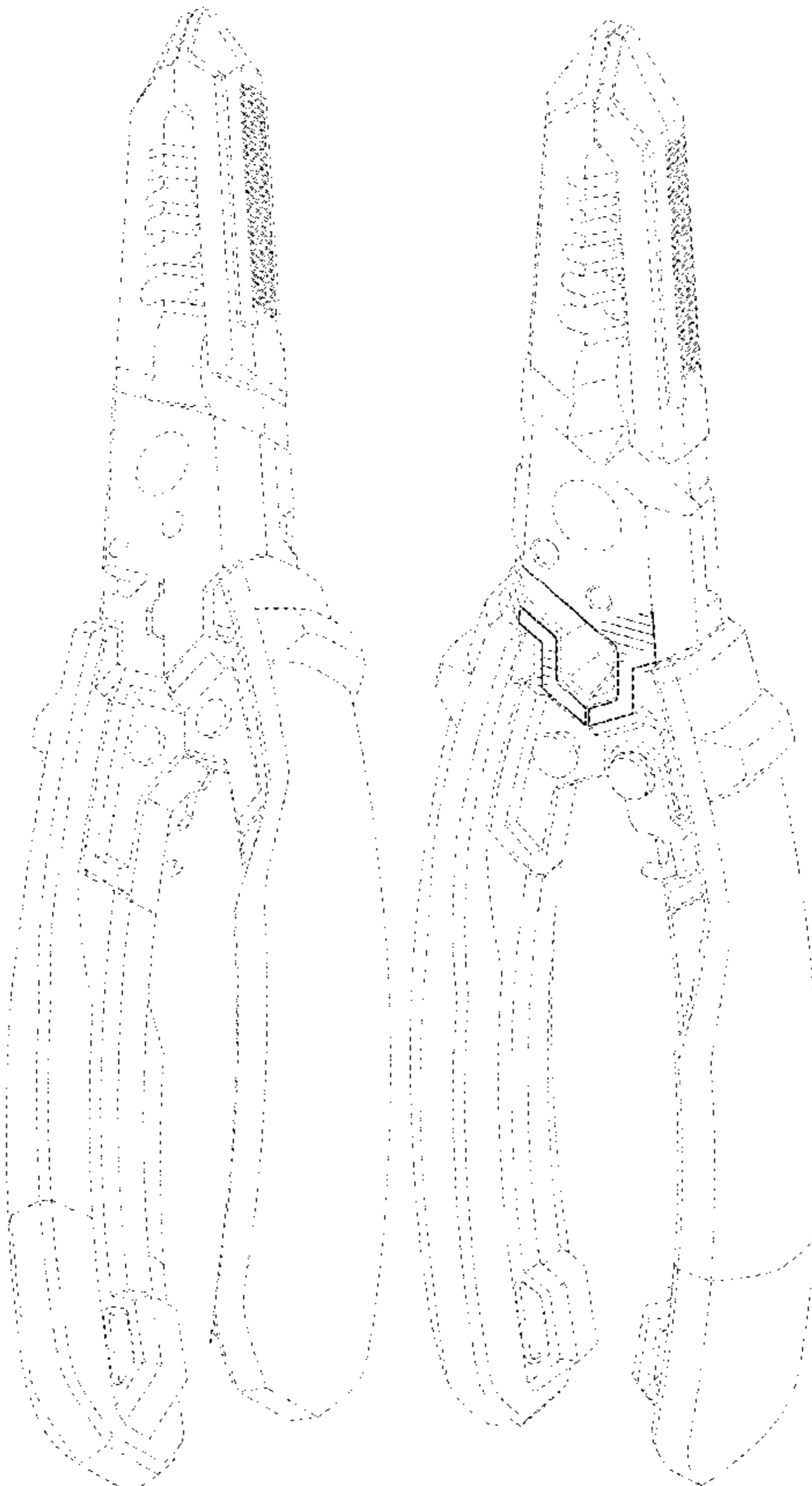
FIG. 6 is a left elevational view thereof;

FIG. 7 is a top plan view thereof; and,

FIG. 8 is a bottom plan view thereof.

The dashed lines shown in the figures represent environmental subject matter and form no part of the claimed design.

1 Claim, 6 Drawing Sheets



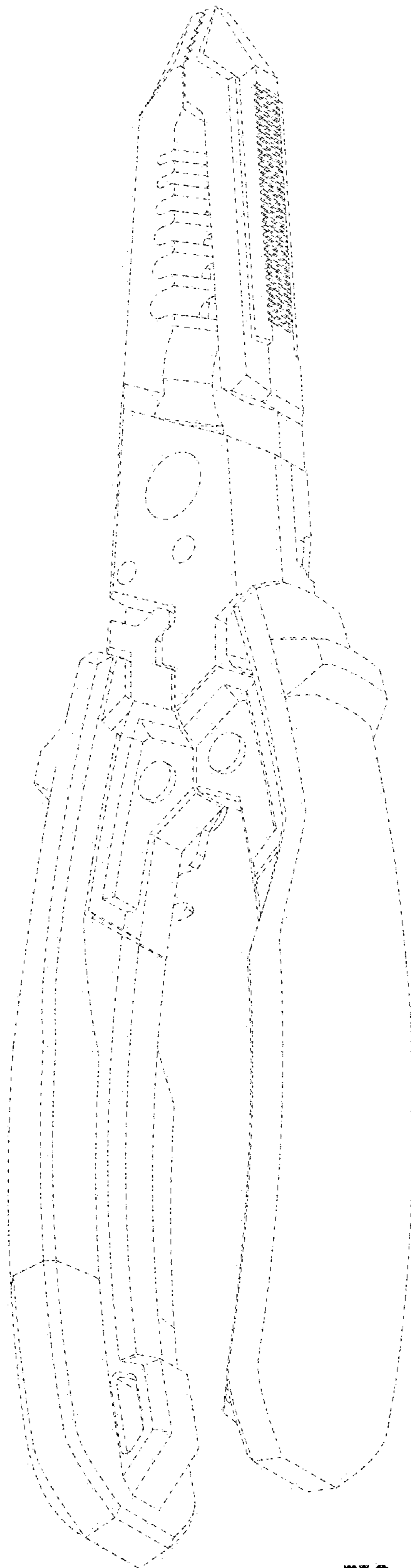


FIG. 1

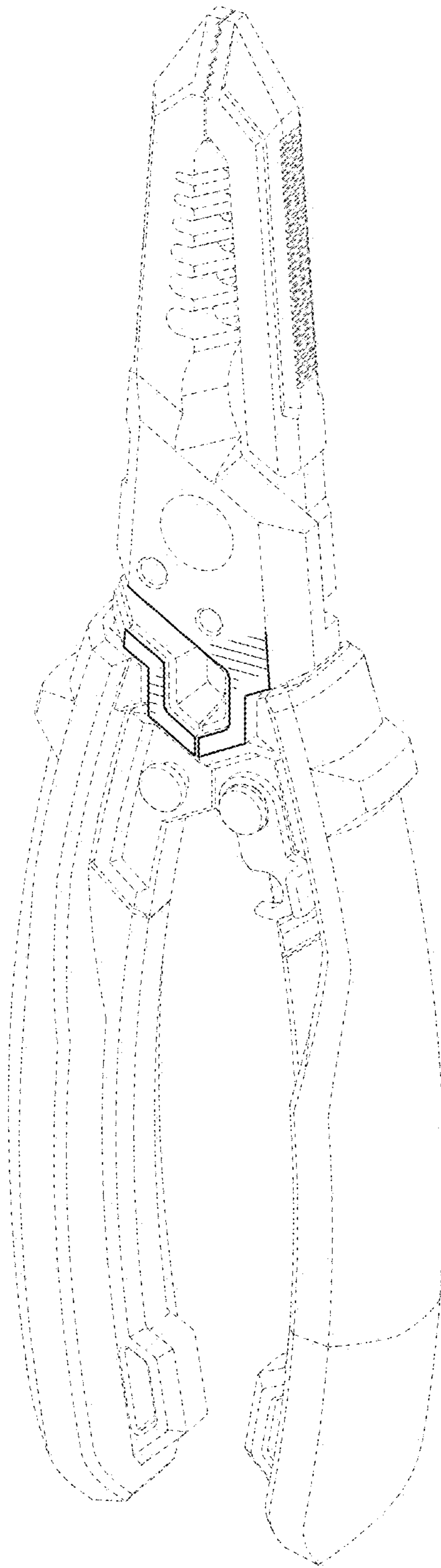


FIG. 2

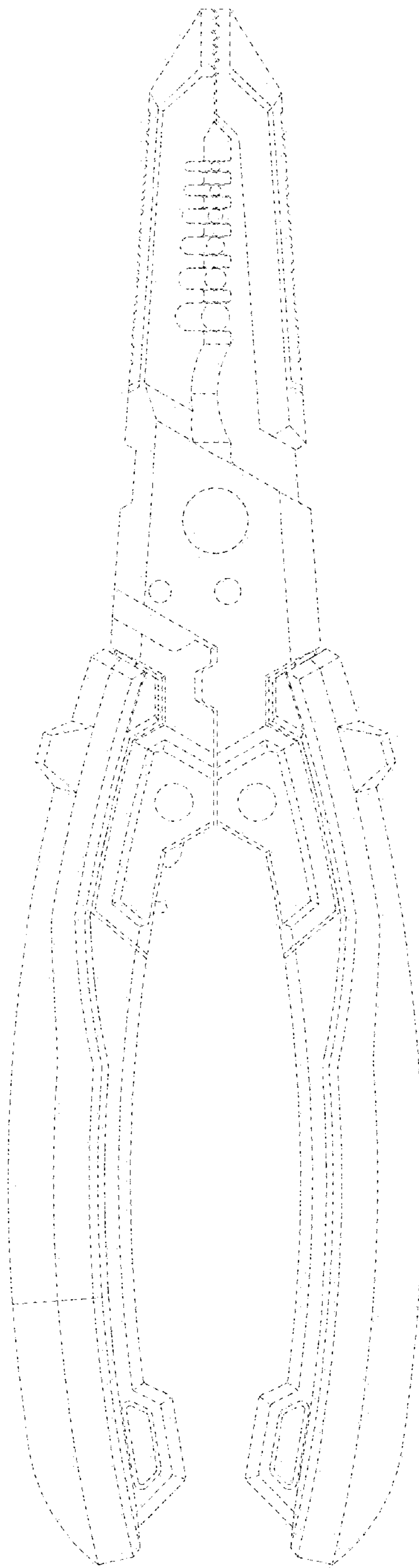


FIG. 3

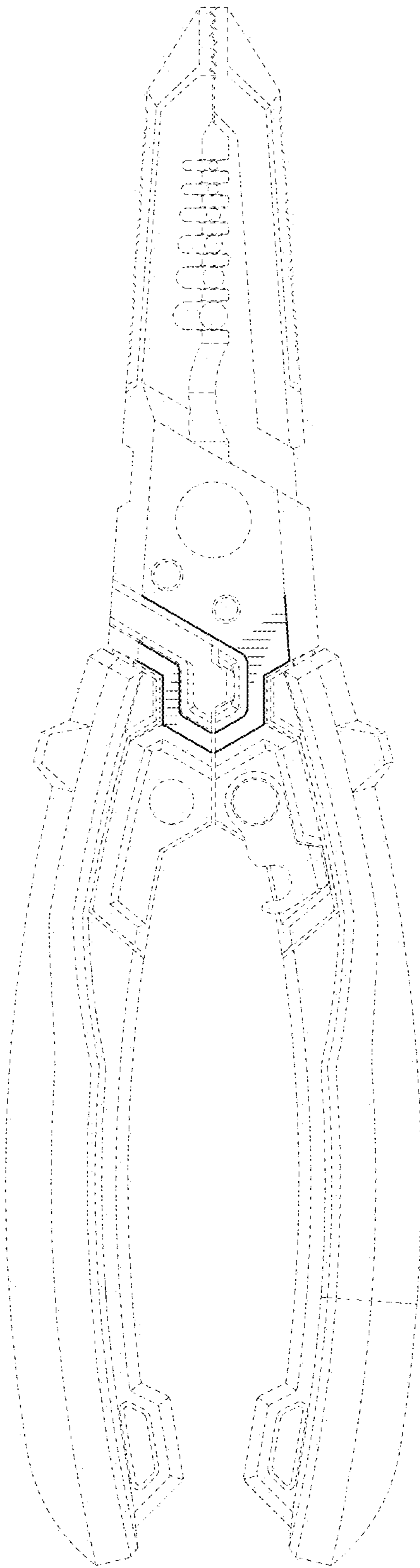


FIG. 4

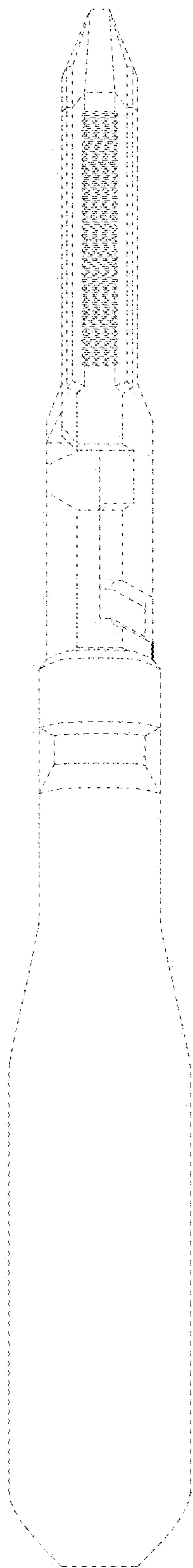


FIG. 5

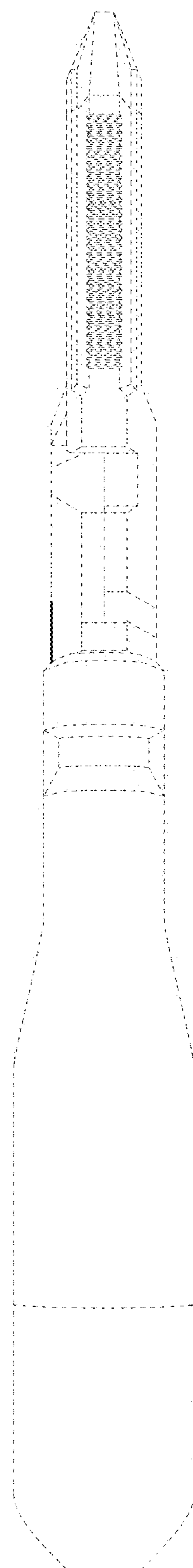


FIG. 6

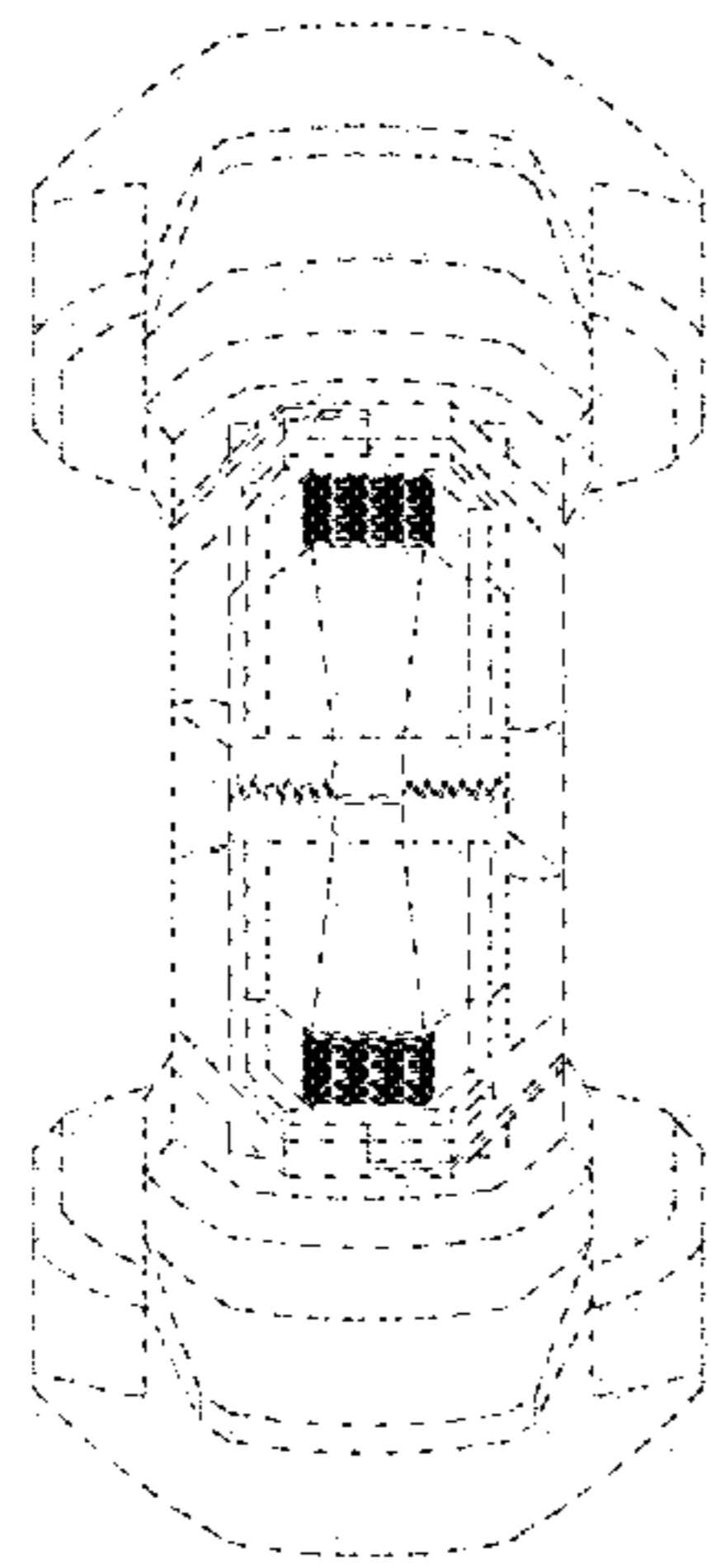


FIG. 7

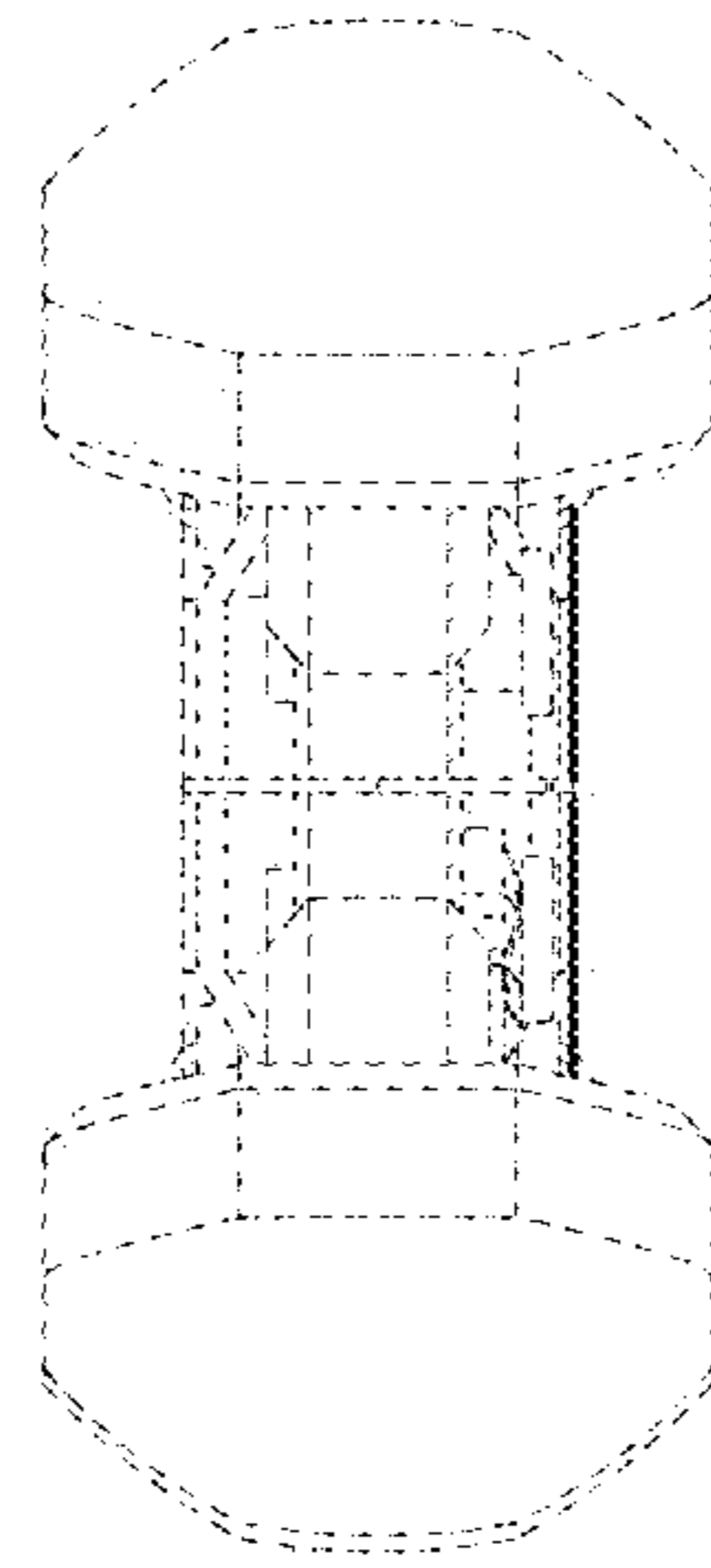


FIG. 8