



US00D945229S

(12) **United States Design Patent**
Lyytikäinen et al.

(10) **Patent No.:** **US D945,229 S**
(45) **Date of Patent:** **** Mar. 8, 2022**

(54) **HAND PRUNER**
(71) Applicant: **Fiskars Finland Oy Ab**, Helsinki (FI)
(72) Inventors: **Sami Lyytikäinen**, Helsinki (FI); **Kari Kunnas**, Helsinki (FI)
(73) Assignee: **FISKARS FINLAND OY AB**, Helsinki (FI)

D457,040 S 5/2002 Hirschfeld
D458,094 S 6/2002 Clivio
6,418,626 B1 * 7/2002 Jang A01G 3/02
30/254
6,757,979 B1 * 7/2004 Schneider A01G 3/02
30/175
D496,838 S 10/2004 Tomchak
6,829,828 B1 12/2004 Cech et al.
D501,379 S 2/2005 Lipscomb et al.
(Continued)

(**) Term: **15 Years**
(21) Appl. No.: **29/726,980**

FOREIGN PATENT DOCUMENTS

DE 202020104819 U1 * 9/2020 A01G 3/02

(22) Filed: **Mar. 6, 2020**

Primary Examiner — Holly E Thurman
Assistant Examiner — Ieisha N Price

(30) **Foreign Application Priority Data**

(74) *Attorney, Agent, or Firm* — Leason Ellis LLP

Sep. 24, 2019 (EM) 006913117

(51) **LOC (13) Cl.** **08-03**
(52) **U.S. Cl.**
USPC **D8/5**

(57) **CLAIM**

The ornamental design for a hand pruner, as shown and described.

(58) **Field of Classification Search**
USPC D8/4, 5, 7, 51, 52, 57
CPC A01G 2003/005; A01G 2/35; A01G 3/02;
A01G 3/065; A01G 3/021; A01G
2003/023; B26B 13/26; B26B 13/28;
B26B 13/285; B26B 13/16; B25B 7/14
See application file for complete search history.

DESCRIPTION

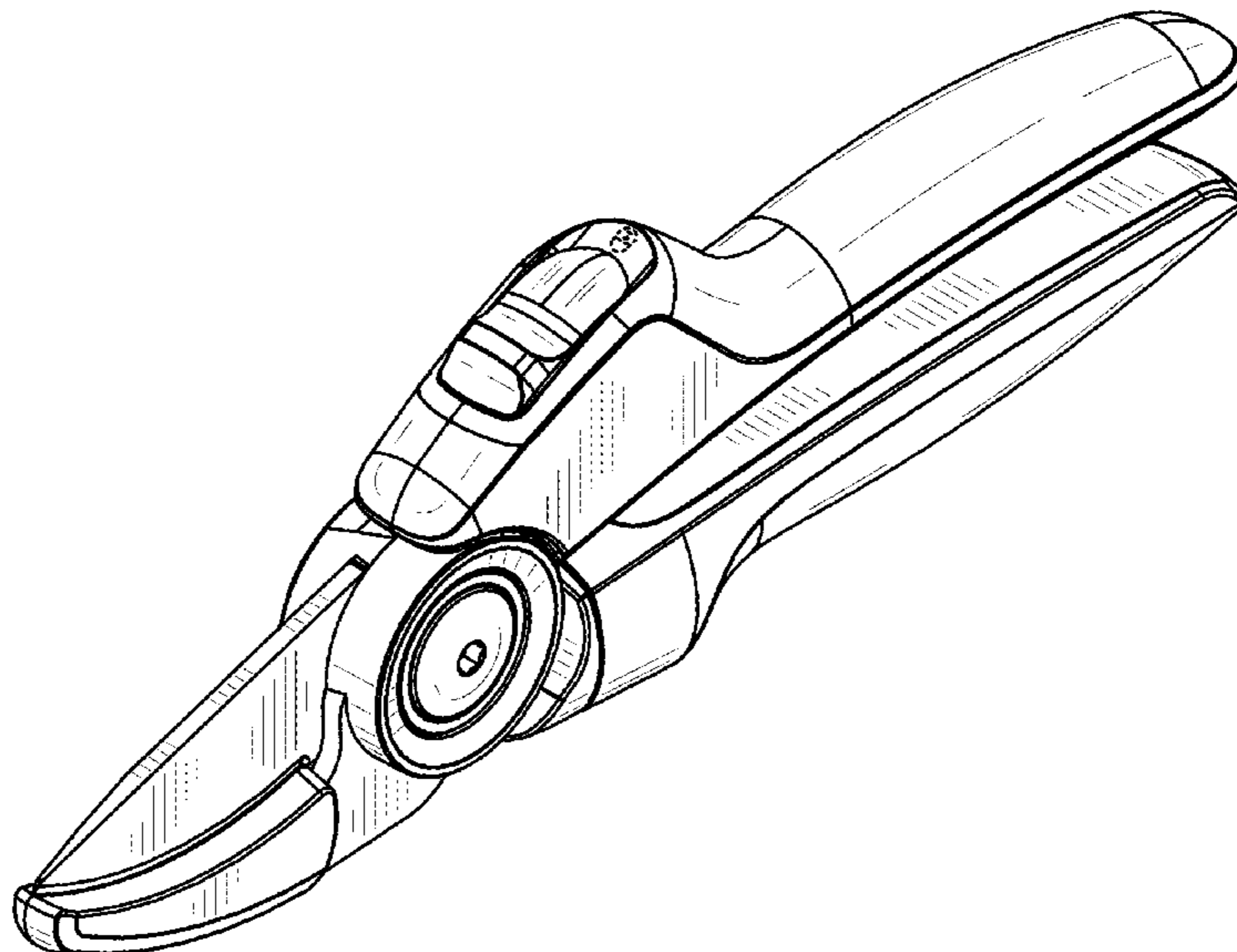
FIG. 1 is a rear view of our hand pruner according to our new design;
FIG. 2 is a bottom plan view thereof;
FIG. 3 is a front view thereof;
FIG. 4 is a left-side top-front perspective view thereof;
FIG. 5 is a left-side top-rear perspective view thereof;
FIG. 6 is a left-side bottom-front perspective view thereof;
FIG. 7 is a left-side bottom-rear perspective view thereof;
FIG. 8 is a right-side view thereof;
FIG. 9 is a left-side view thereof; and,
FIG. 10 is a top plan view thereof.
Conventional shading is illustrated for purposes of highlighting the line drawings, but forms no part of the claimed design.
The broken lines in the drawings illustrate portions of the hand pruner and form no part of the claimed design.

(56) **References Cited**

U.S. PATENT DOCUMENTS

4,073,059 A 2/1978 Wallace et al.
4,079,513 A 3/1978 Harrison
4,268,963 A 5/1981 Harrison
4,341,016 A 7/1982 Harrison et al.
D337,033 S * 7/1993 DeVille D8/5
5,367,774 A 11/1994 Labarre et al.
D353,524 S * 12/1994 Her D8/5
5,426,857 A 6/1995 Linden
D377,588 S 1/1997 Birkholz
D396,615 S 8/1998 Spear

1 Claim, 10 Drawing Sheets



(56)

References Cited

U.S. PATENT DOCUMENTS

D503,595 S	4/2005	Lipscomb et al.		10,182,530 B1 *	1/2019	Huang	A01G 3/021
D547,141 S *	7/2007	Shan	D8/5	D875,483 S	2/2020	Roberts et al.	
D557,086 S	12/2007	Lipscomb et al.		D921,456 S *	6/2021	Weber	D8/5
D567,601 S	4/2008	Klecker		D921,457 S *	6/2021	Roberts	D8/5
D576,011 S	9/2008	Lipscomb et al.		D922,163 S *	6/2021	Roberts	D8/5
D582,733 S *	12/2008	Davies	D8/5	2007/0144014 A1 *	6/2007	Toyama	B25B 7/14
D628,031 S	11/2010	Stokes et al.					30/254
D628,032 S	11/2010	Stokes et al.		2008/0155835 A1 *	7/2008	Lin	A01G 3/02
D638,673 S *	5/2011	Huang	D8/5				30/252
D651,053 S	12/2011	Roberts et al.		2009/0151170 A1 *	6/2009	Lee	A01G 3/02
D651,487 S	1/2012	Roberts et al.					30/252
D698,214 S	1/2014	Sade et al.		2010/0043238 A1 *	2/2010	Linden	A01G 3/02
D706,096 S	6/2014	Stokes et al.					30/251
D706,097 S	6/2014	Lyytikainen et al.		2010/0269356 A1 *	10/2010	Chen	B26B 13/16
D706,590 S	6/2014	Sade et al.					30/232
D716,114 S	10/2014	Lyytikainen et al.		2012/0017445 A1 *	1/2012	Huang	A01G 3/02
D750,454 S *	3/2016	Lambin	D8/5				30/192
D765,479 S *	9/2016	Lambin	D8/5	2013/0042486 A1 *	2/2013	Lee	A01G 3/02
D793,824 S	8/2017	Sokka					30/249
D802,381 S	11/2017	Wolf		2014/0202007 A1	7/2014	Huang	
D810,524 S	2/2018	Hsu		2015/0040407 A1 *	2/2015	Lin	A01G 3/02
D818,783 S	5/2018	Wermeille					30/312
				2019/0159405 A1 *	5/2019	Jacques	A01G 3/0251

* cited by examiner

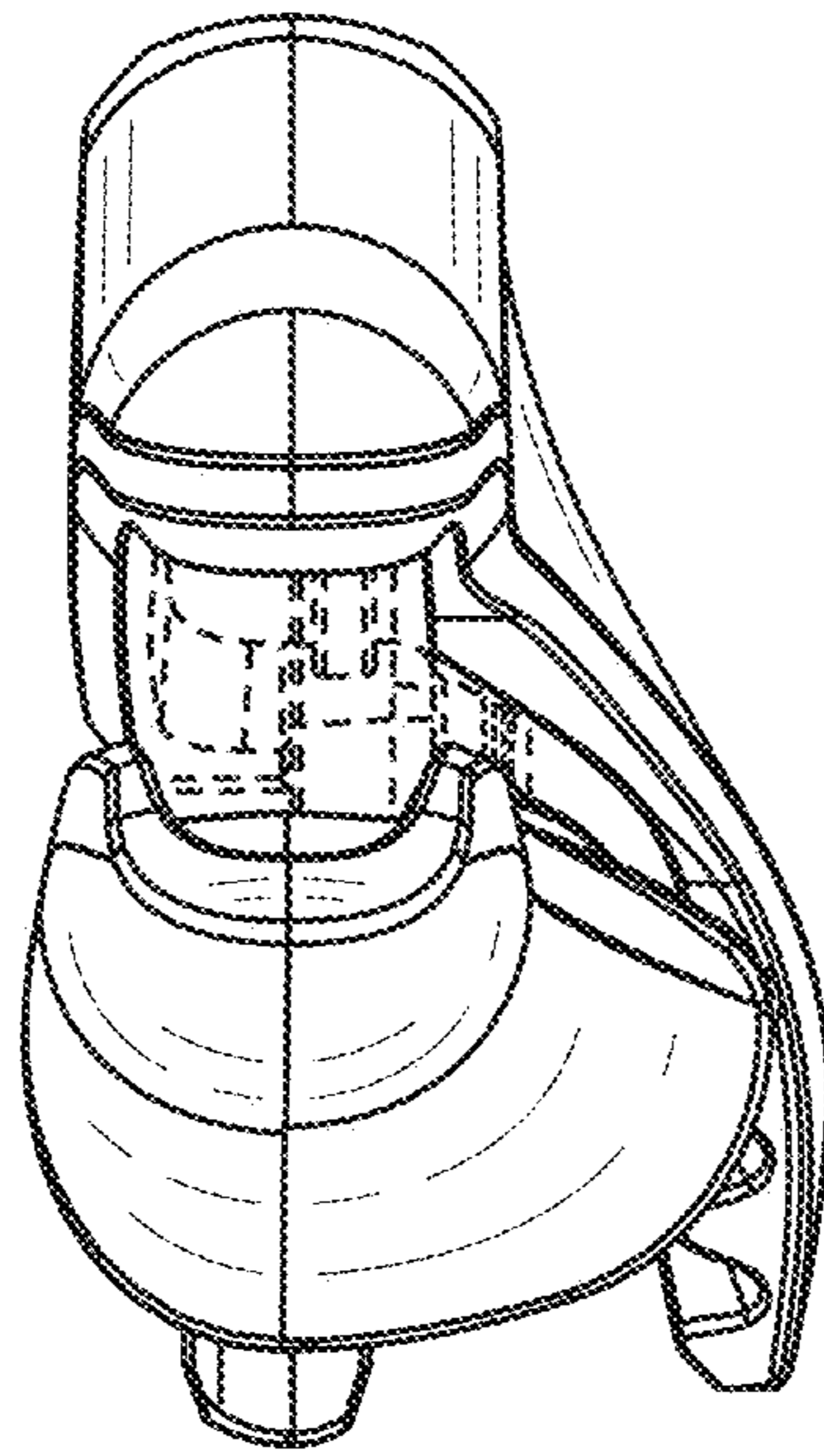


FIG. 1

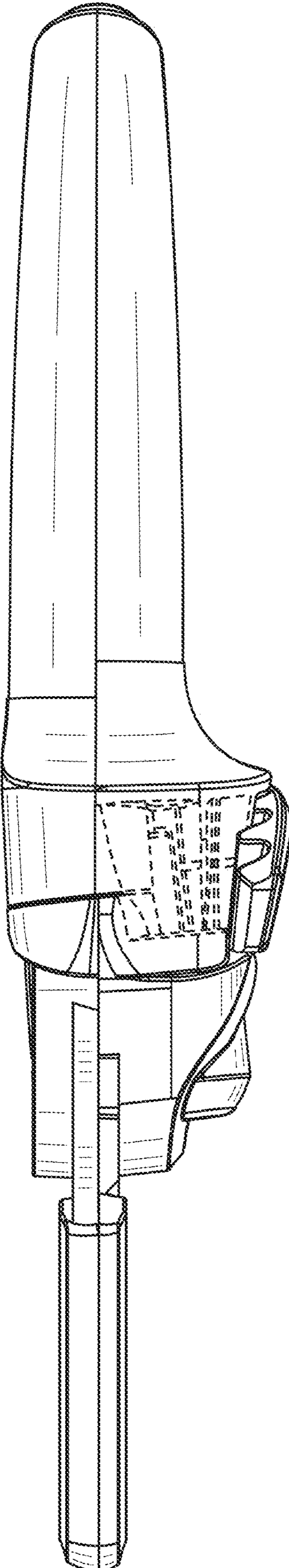


FIG. 2

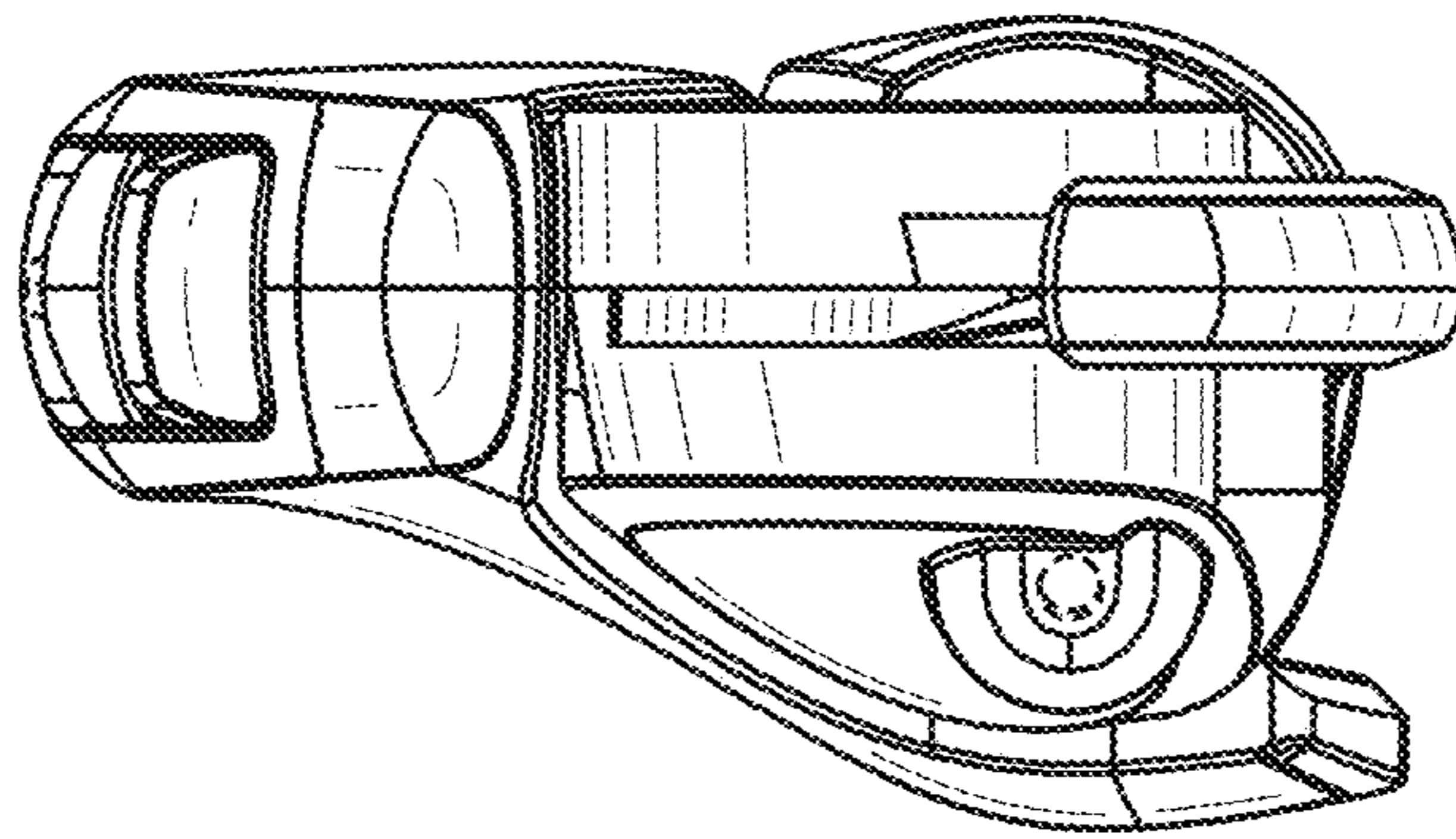


FIG. 3

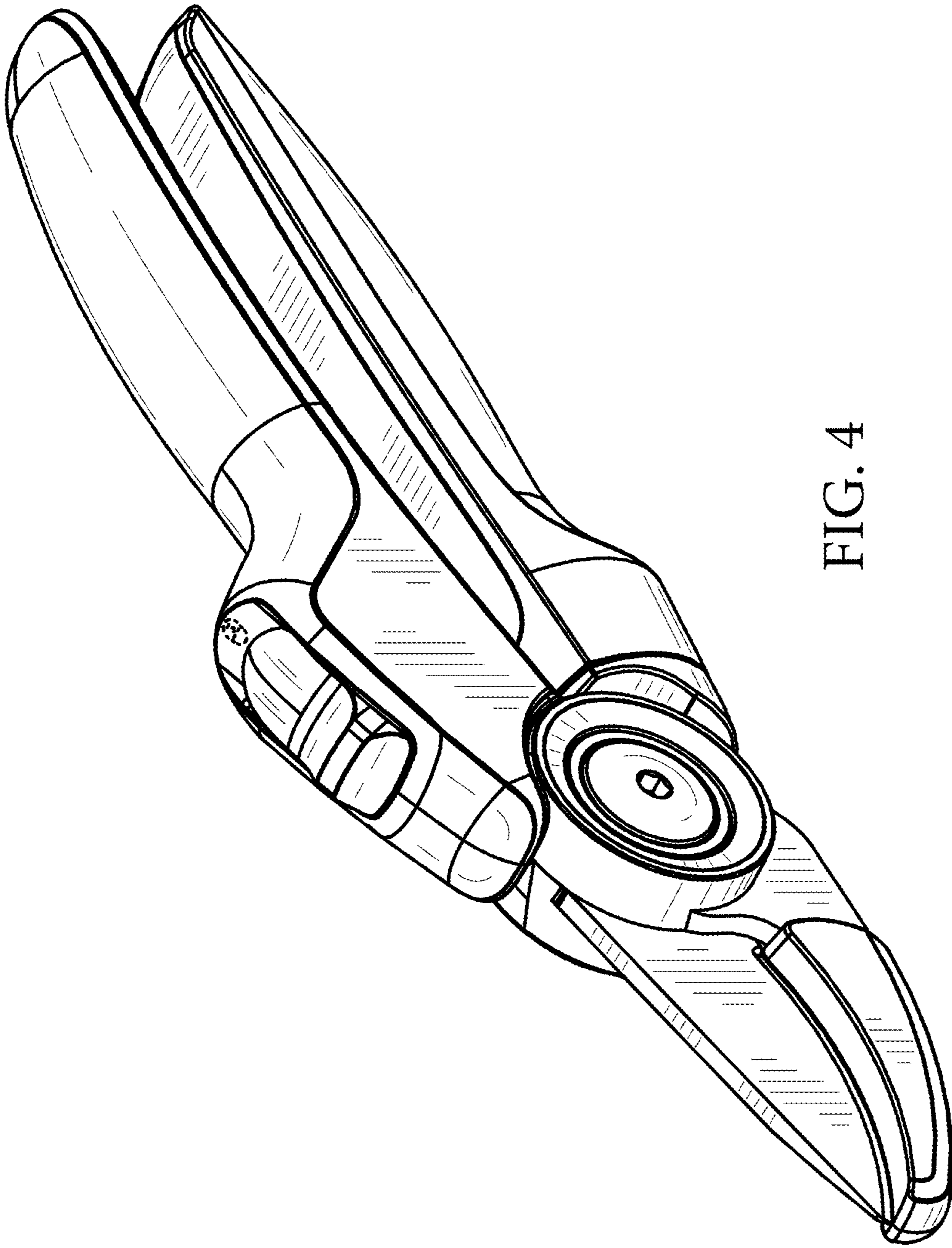


FIG. 4

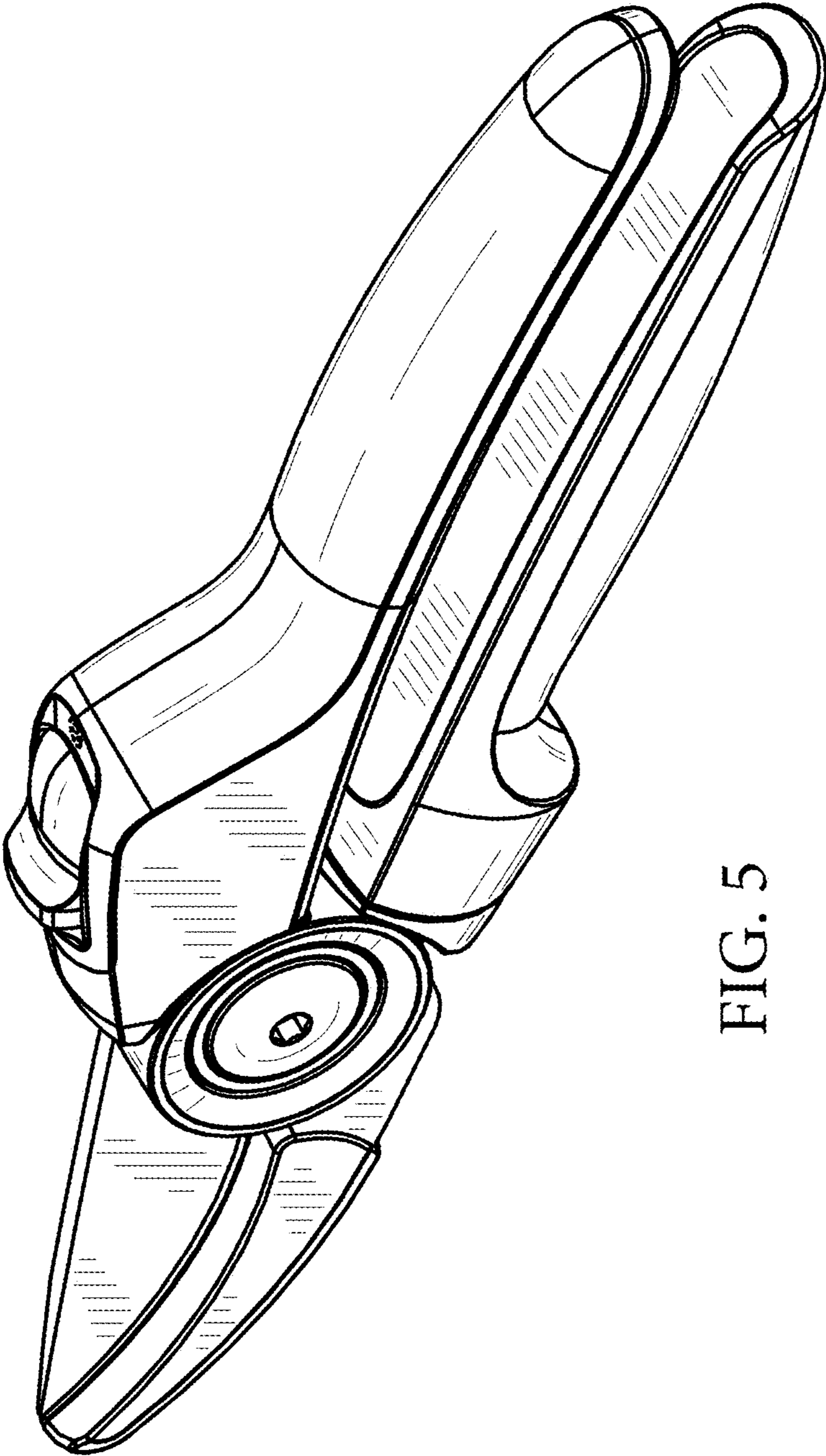


FIG. 5

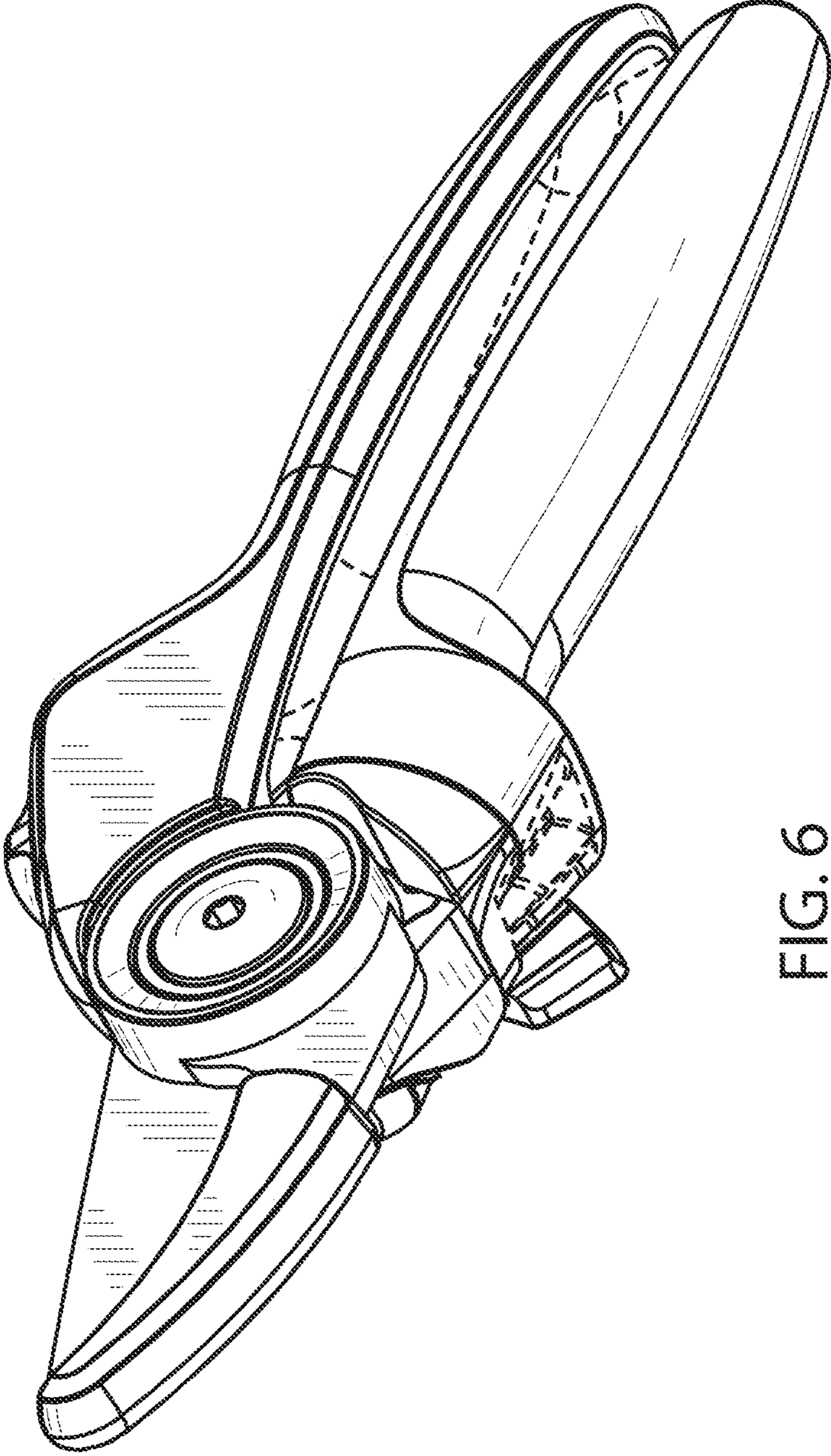


FIG. 6

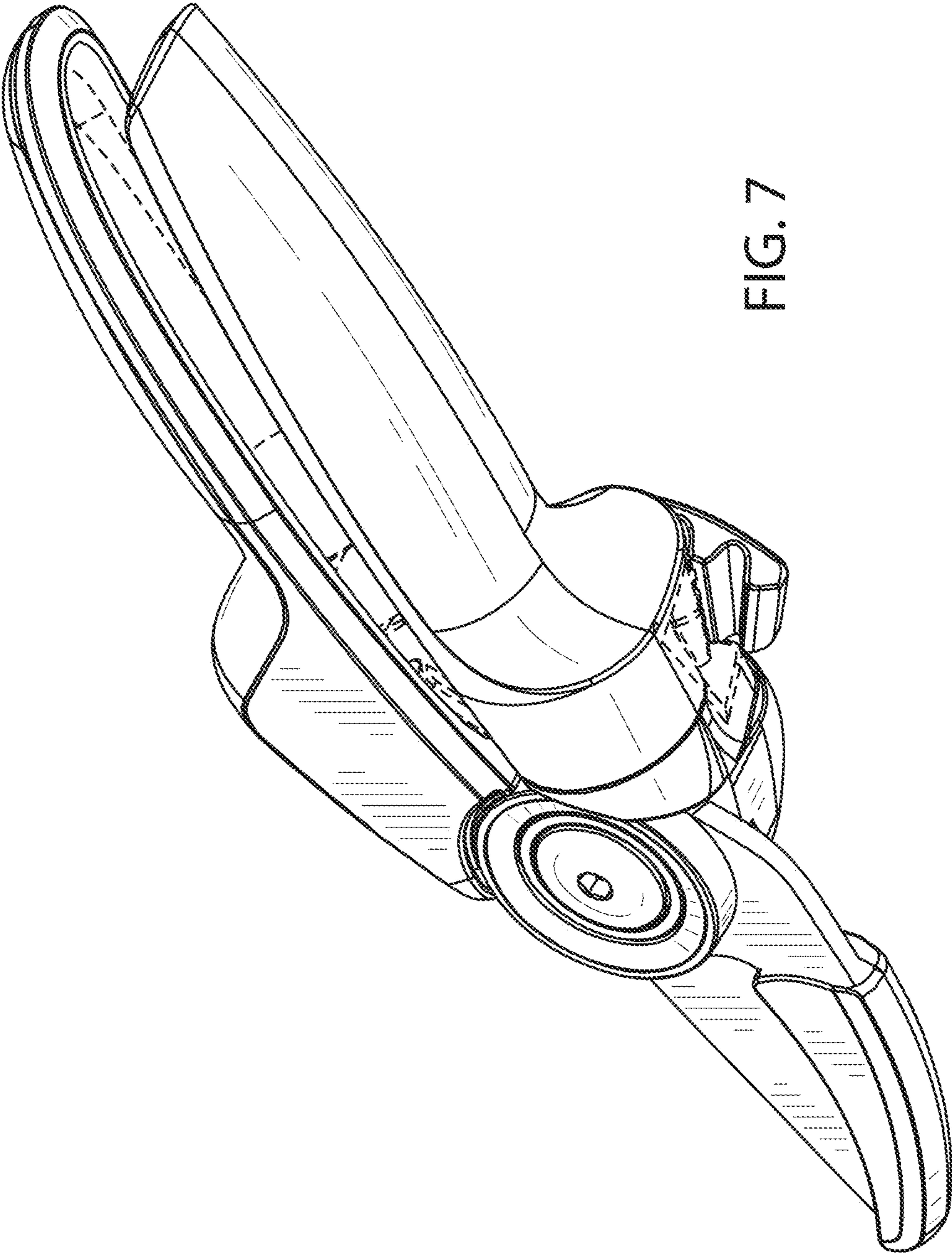


FIG. 7

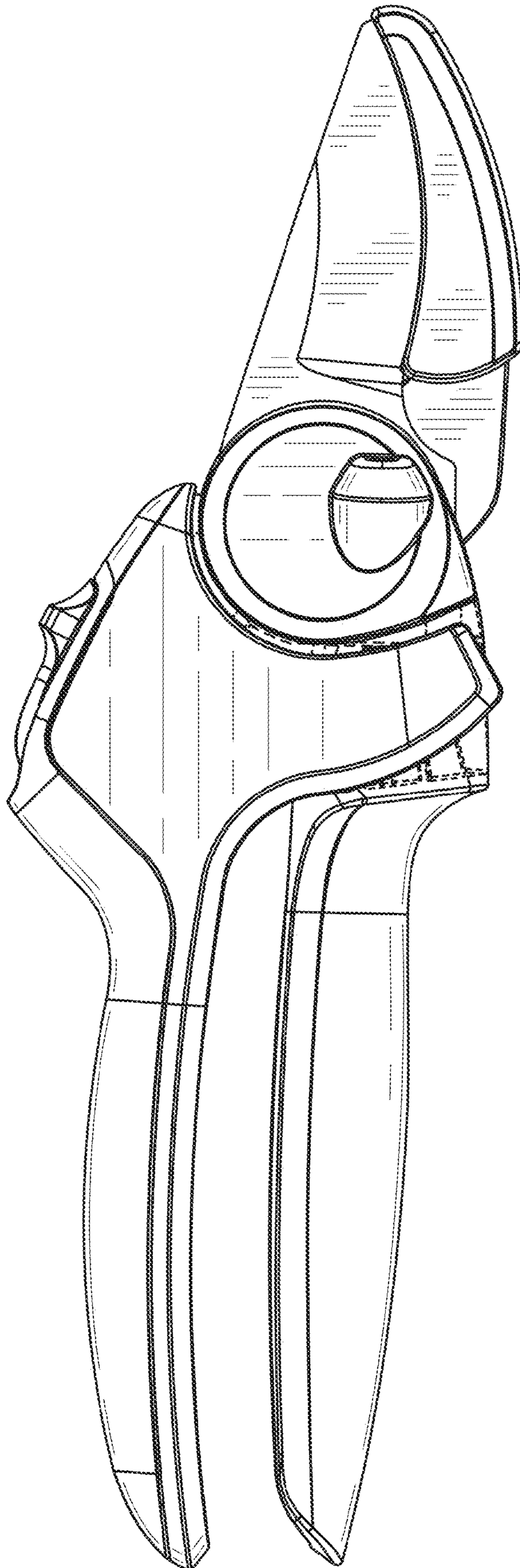


FIG. 8

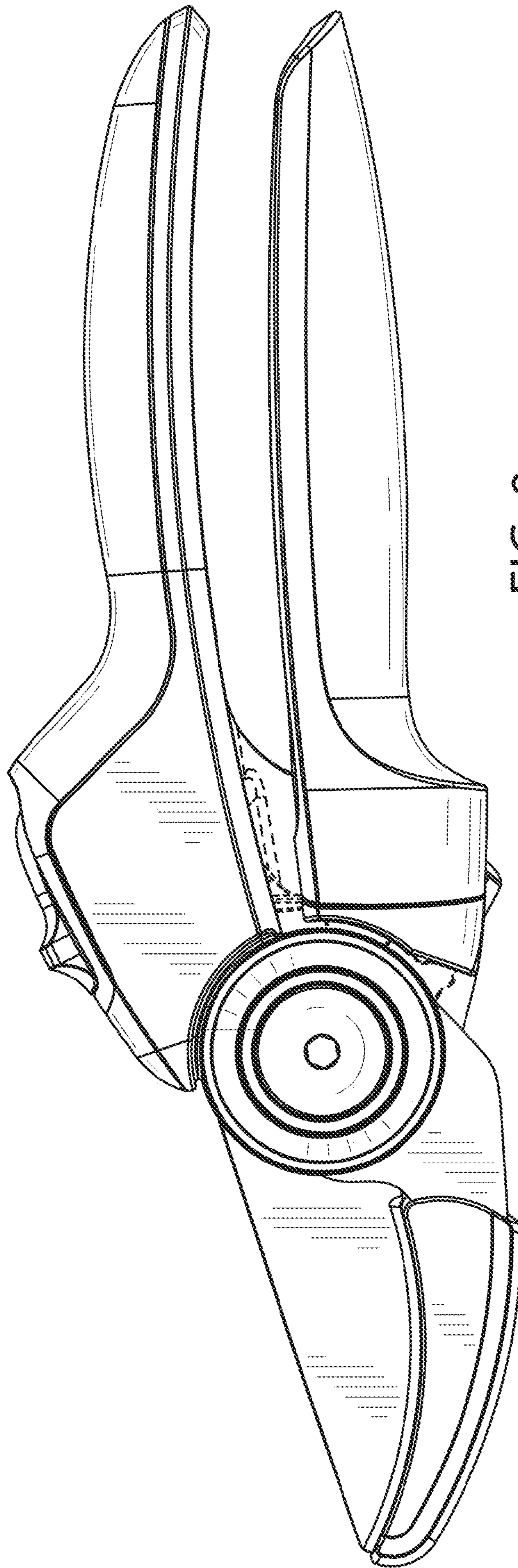


FIG. 9

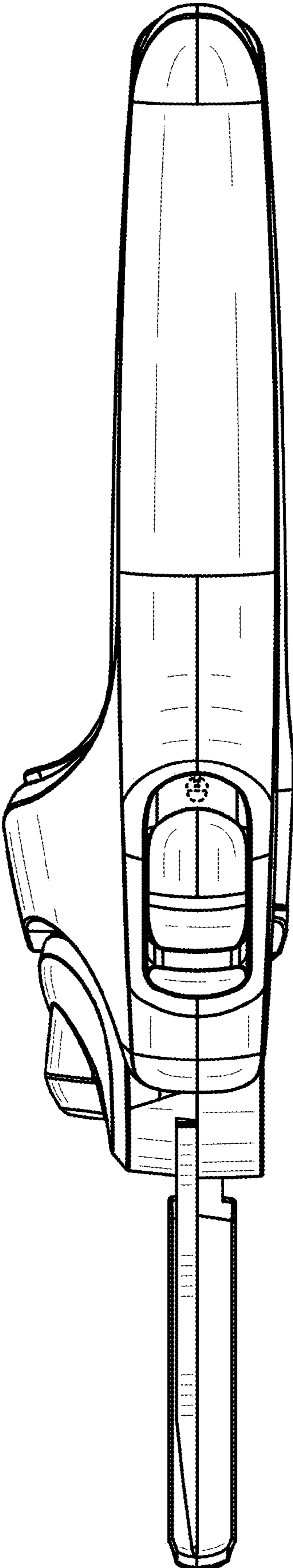


FIG. 10