



US00D945228S

(12) **United States Design Patent** (10) **Patent No.:** **US D945,228 S**  
**Arote et al.** (45) **Date of Patent:** **\*\* Mar. 8, 2022**

(54) **TONGS AND HOLSTER ASSEMBLY**

D542,607 S \* 5/2007 Huber ..... D7/686  
D606,814 S \* 12/2009 Mineo ..... D7/686  
7,845,081 B1 \* 12/2010 Shultz ..... A47J 25/00  
30/113.2

(71) Applicant: **KITCHEN COMPANIONS, LLC**, Ft. Lauderdale, FL (US)

(72) Inventors: **Richard Arote**, Ft. Lauderdale, FL (US); **Norman Hansen**, Highland Beach, FL (US)

(73) Assignee: **Kitchen Companions, LLC**, Fort Lauderdale, FL (US)

(\*\*) Term: **15 Years**

(21) Appl. No.: **29/746,224**

(22) Filed: **Aug. 12, 2020**

(51) **LOC (13) Cl.** ..... **07-06**

(52) **U.S. Cl.**  
USPC ..... **D7/686**

(58) **Field of Classification Search**  
USPC ..... D7/368, 669, 680-696, 642, 643, 644;  
D8/51, 52, 54, 71, 72  
CPC ..... A47J 43/283; A47J 43/28; A47J 43/288;  
A47G 21/10; A47G 21/106; A47G 21/103;  
A47G 21/00; B25B 7/00; B25B 9/00; B25B 9/02; B25B 9/04  
See application file for complete search history.

(56) **References Cited**

**U.S. PATENT DOCUMENTS**

3,957,298 A \* 5/1976 Purchase ..... A47G 21/10  
294/33  
4,012,068 A \* 3/1977 Apodaca ..... B25B 9/02  
294/33  
D246,280 S \* 11/1977 Daenen ..... D7/686  
4,126,962 A \* 11/1978 Polcaro ..... A01G 7/06  
15/210.1  
4,707,922 A \* 11/1987 Hosak-Robb ..... A47G 21/103  
294/99.2

**OTHER PUBLICATIONS**

Amazon.com, Toaster Tongs with Magnet, Three Way Out, ASIN B07BJ8Q35G, pp. 1-12, first date available Mar. 17, 2018. (Year: 2018).\*

Amazon.com, Bimnic Wooden Tongs for Cooking, Bimnic, ASIN B08QJQLQ5, pp. 1-10, first date available Feb. 6, 2021. (Year: 2021).\*

\* cited by examiner

*Primary Examiner* — Terry A Wallace

(74) *Attorney, Agent, or Firm* — Robert M. Schwartz

(57) **CLAIM**

The ornamental design of the tongs and holster assembly, as shown and described.

**DESCRIPTION**

FIG. 1 is a front, top perspective view of a tongs and holster assembly showing our new design, the mounting surface is shown in broken lines for illustrative purposes only and forms no part of the claimed design.

FIG. 2 is an exploded front, top perspective view thereof. FIG. 3 is a side view of FIG. 2, the opposite side being a mirror image.

FIG. 4 is a top plan view of FIG. 2.

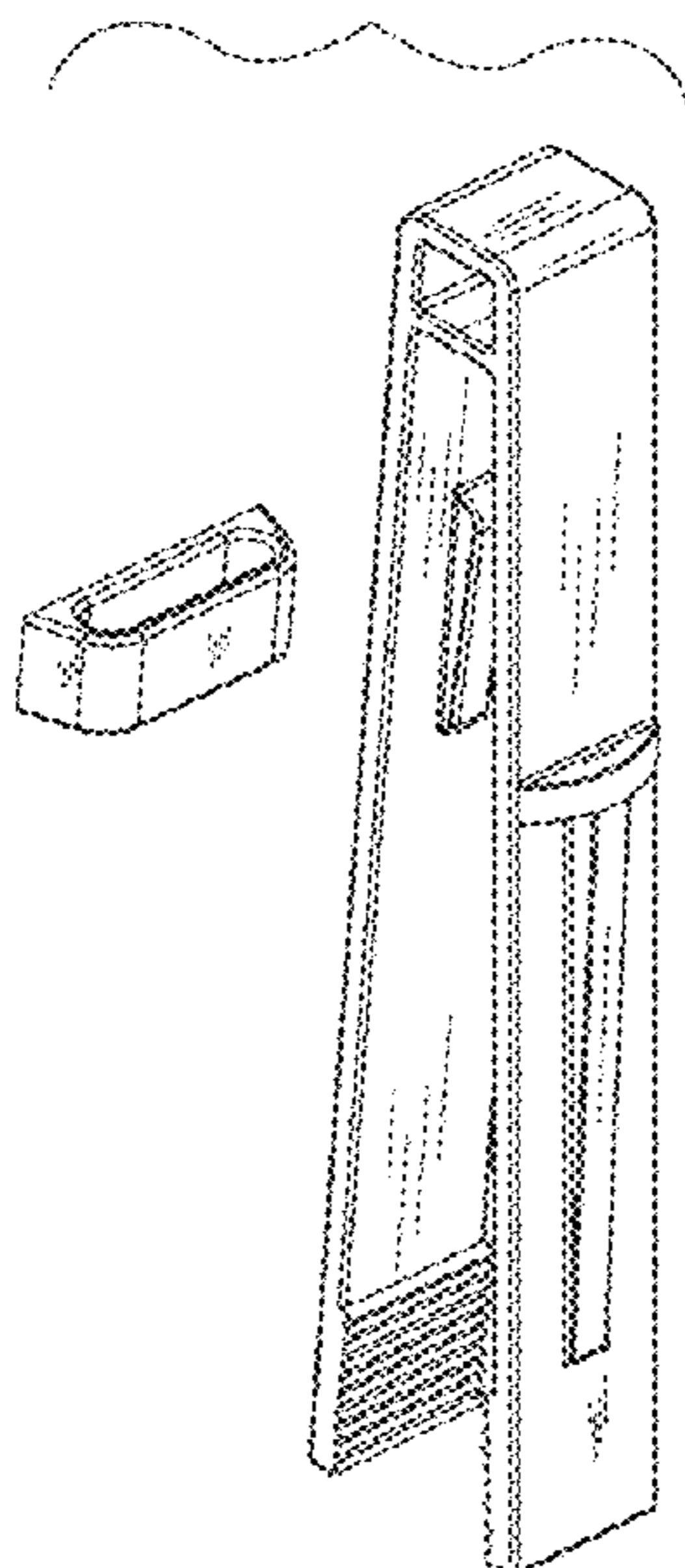
FIG. 5 is a bottom plan view of FIG. 2.

FIG. 6 is a front view of FIG. 2; and,

FIG. 7 is a rear view of FIG. 2.

Surface shading has been added in the drawing figures to show the character and contour of the surfaces of the design. The broken lines shown in the figures represent portions of the invention that are for the purpose of showing environmental structure and forms no part of the claimed design.

**1 Claim, 6 Drawing Sheets**



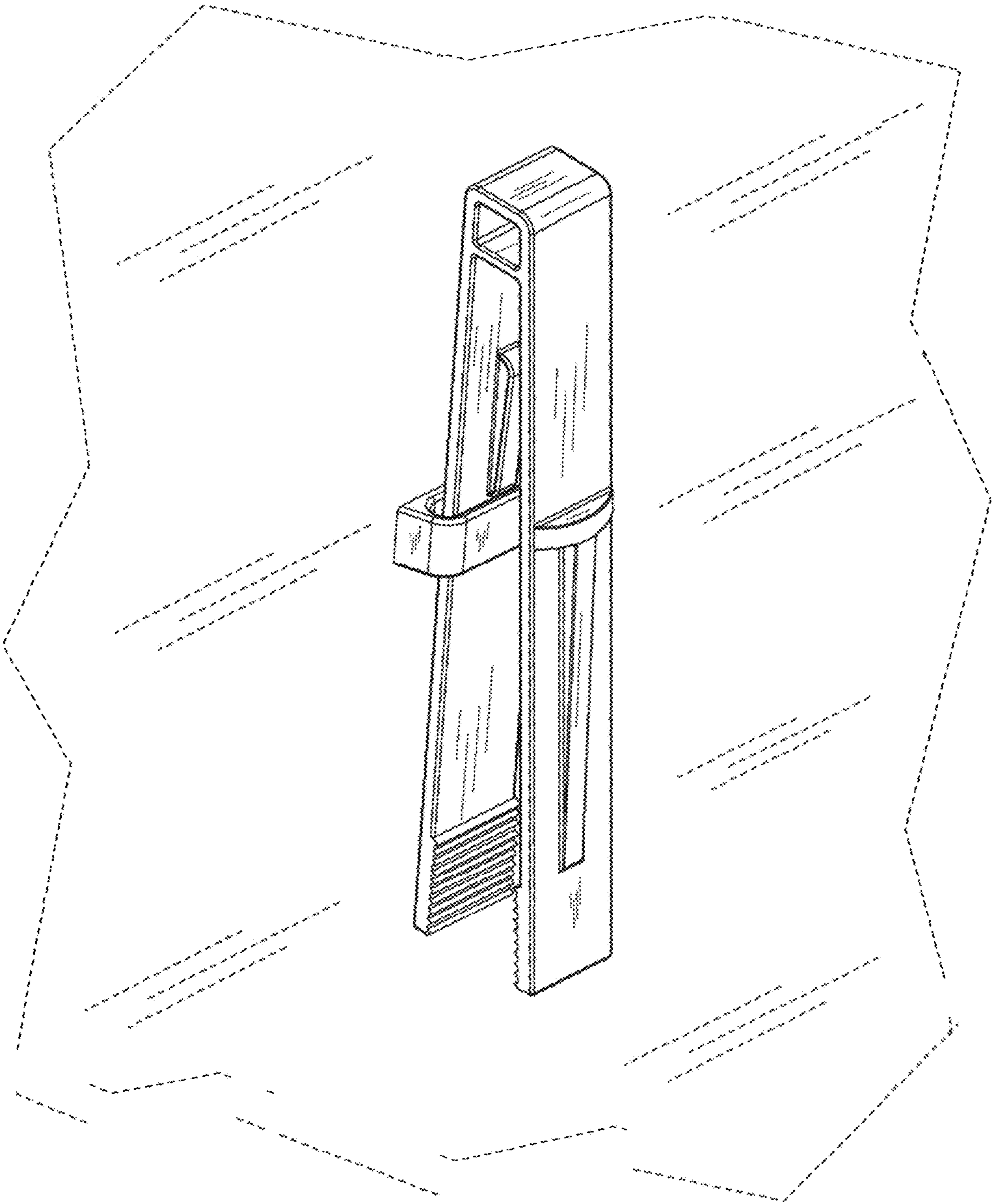


FIG. 1

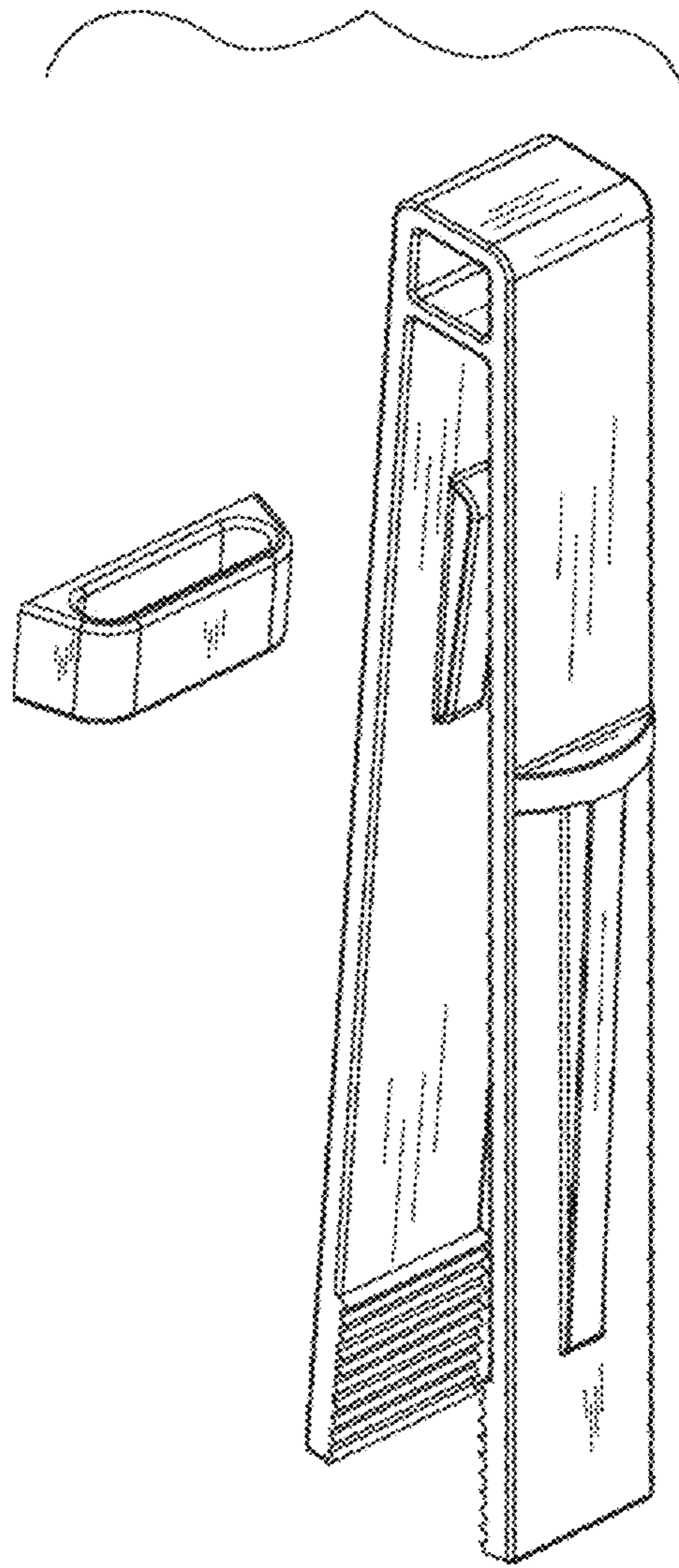


FIG. 2

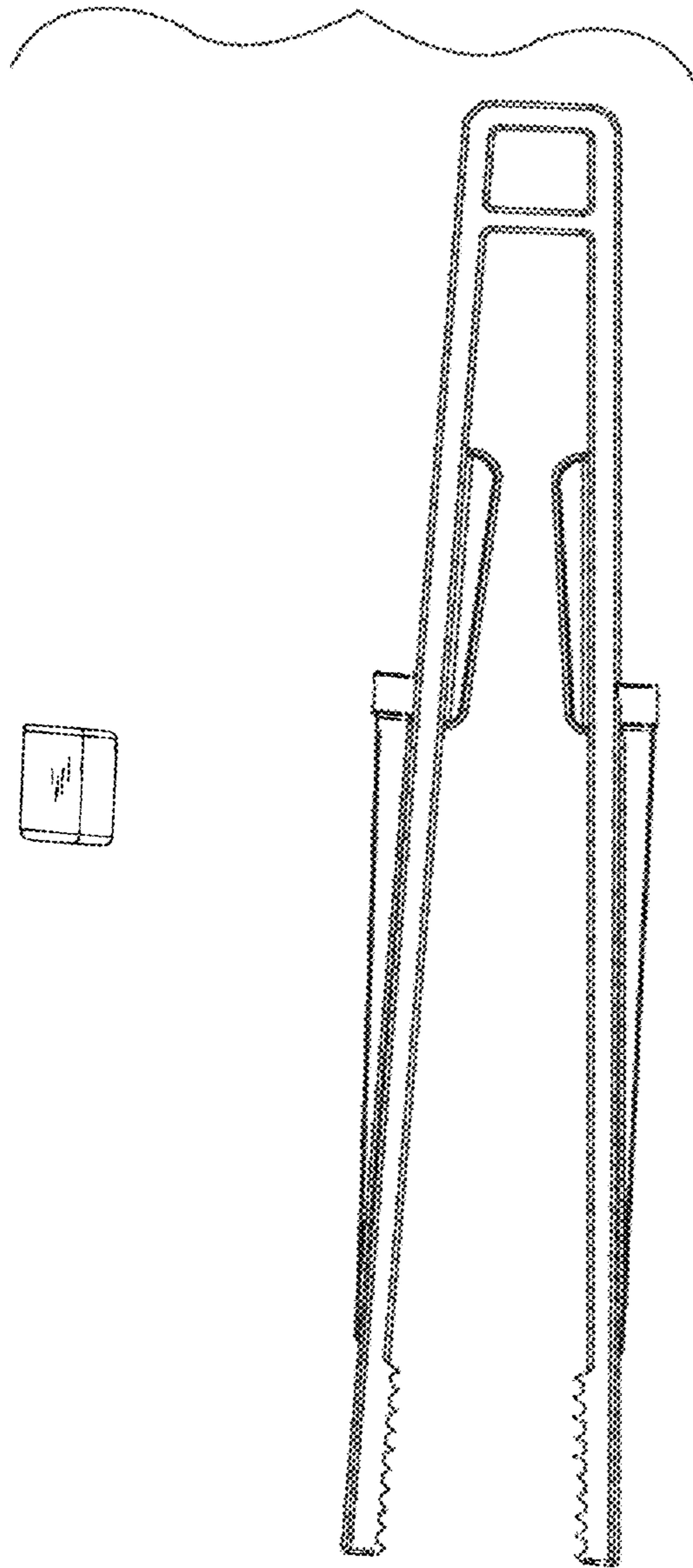


FIG. 3

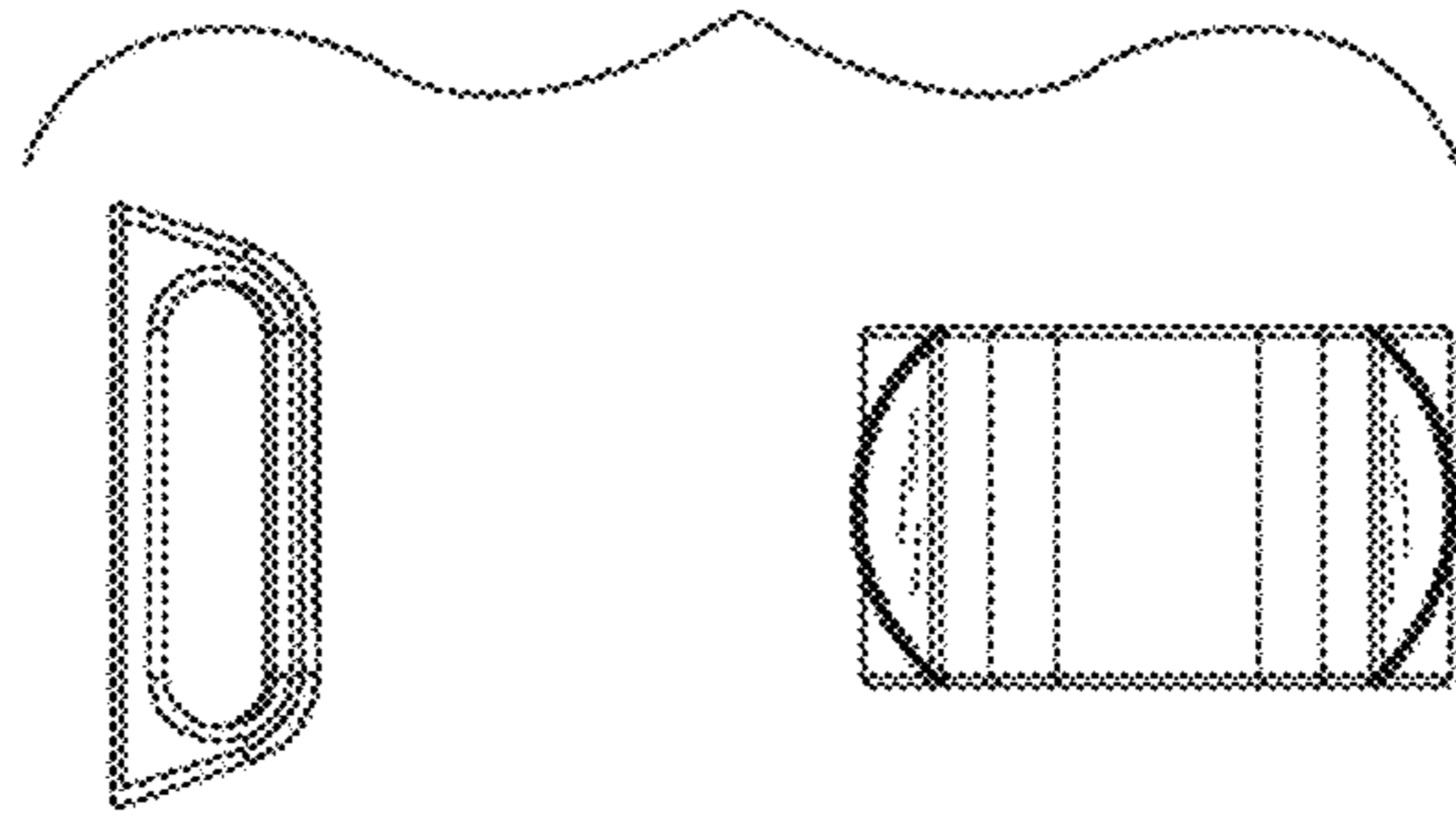


FIG. 4

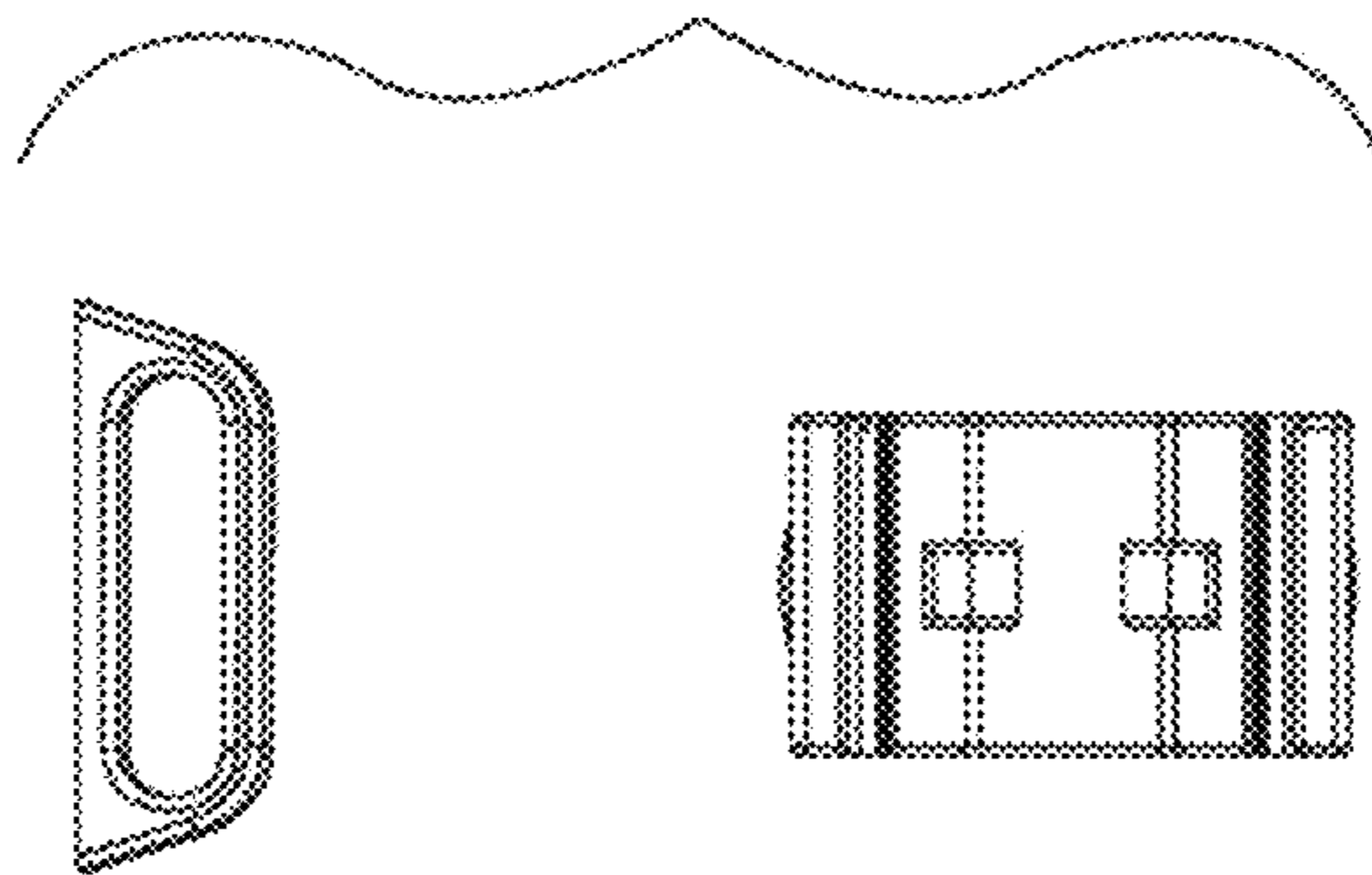


FIG. 5

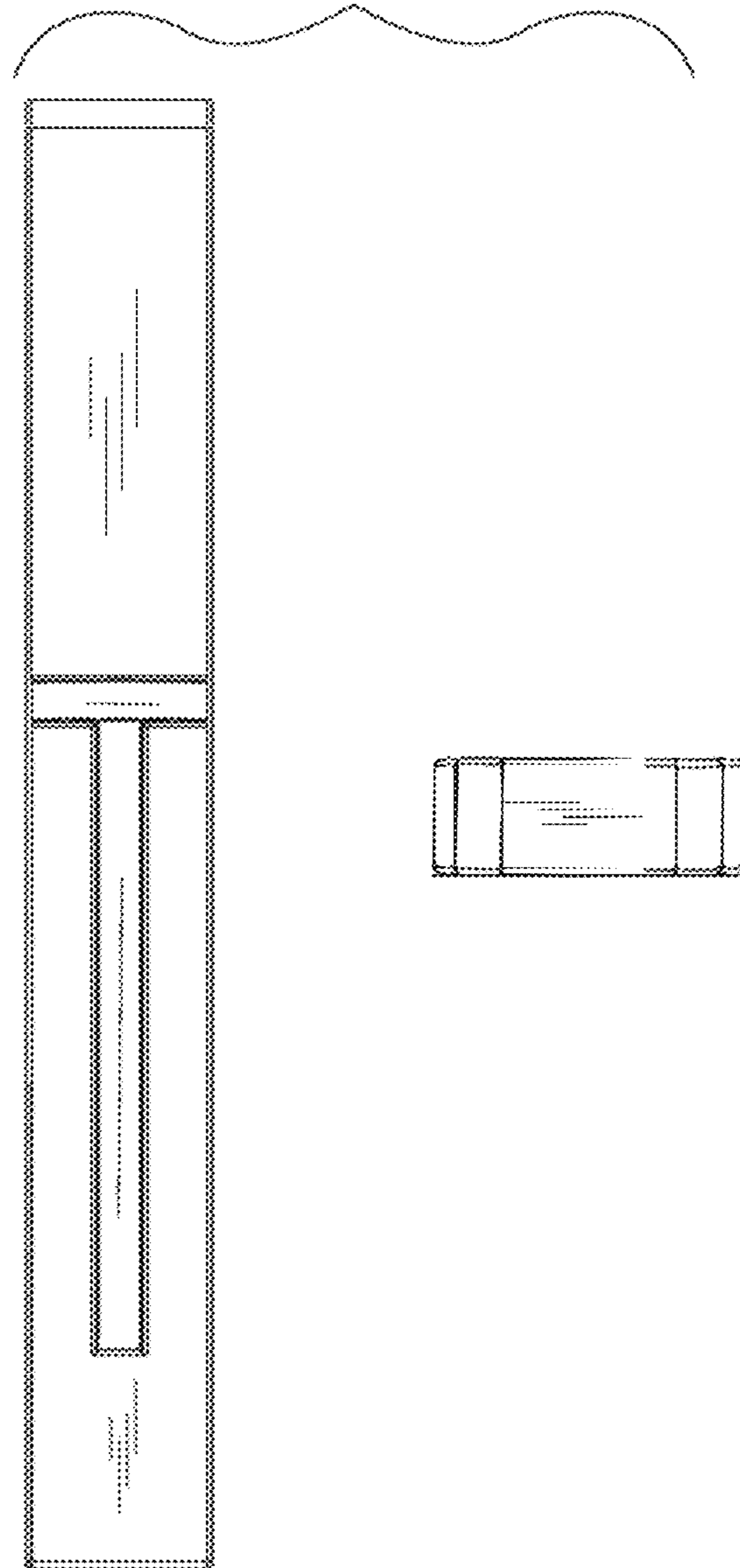


FIG. 6

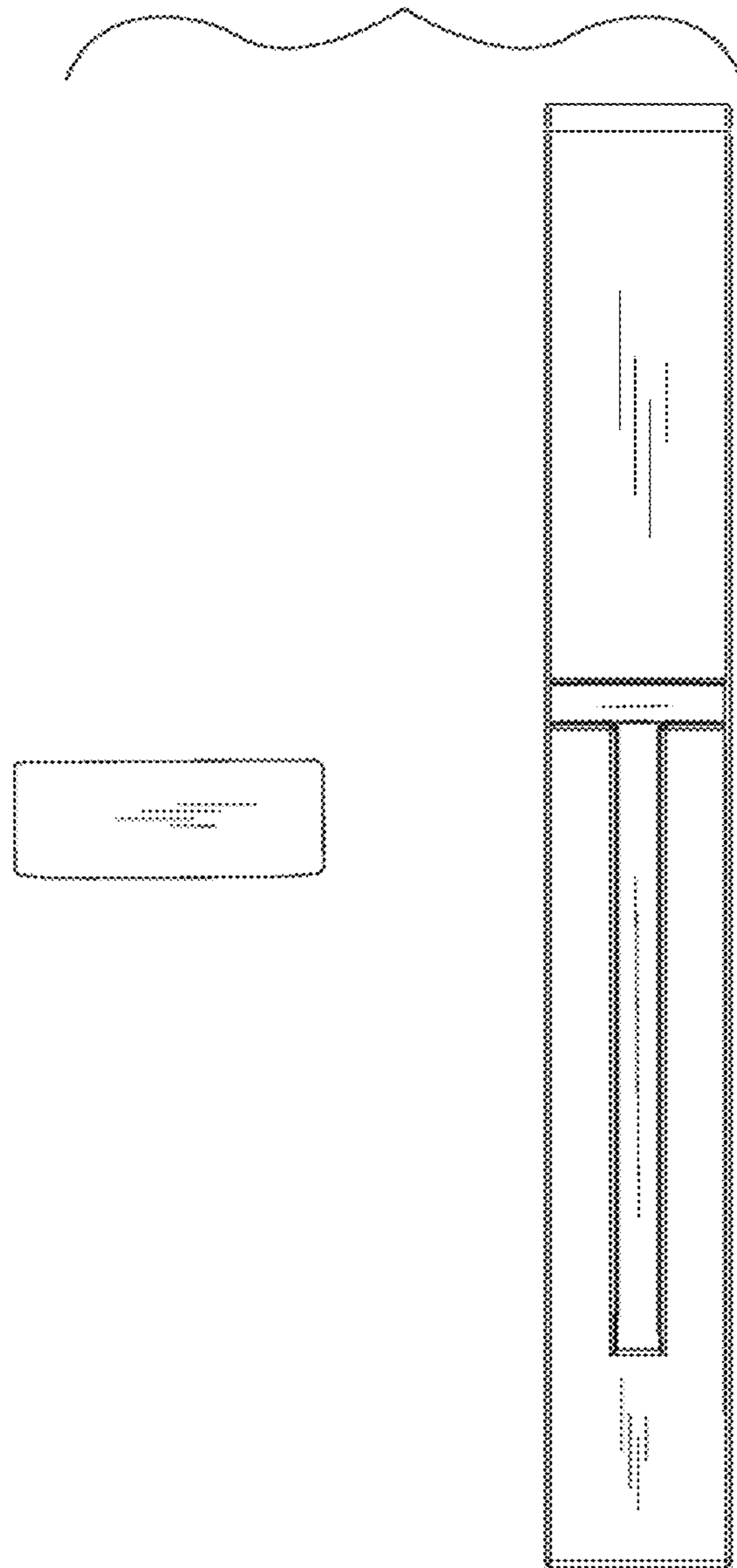


FIG. 7