



US00D945226S

(12) **United States Design Patent** (10) **Patent No.:** **US D945,226 S**
Li (45) **Date of Patent:** **** Mar. 8, 2022**

(54) **HERB GRINDER**

(71) Applicant: **Guangzhou Jin Zhong Wang Luo Ji Shu You Xian Gong Si**, Guangzhou (CN)

(72) Inventor: **Jinkun Li**, Guangzhou (CN)

(**) Term: **15 Years**

(21) Appl. No.: **29/778,115**

(22) Filed: **Apr. 11, 2021**

(51) **LOC (13) Cl.** **07-04**

(52) **U.S. Cl.**
USPC **D7/679; D27/194**

(58) **Field of Classification Search**
USPC D7/679, 372, 373, 374, 383, 384, 401.1; D27/194, 195; D24/220
CPC B02C 18/24; B02C 18/08; B02C 18/16; B02C 18/00; B02C 7/00; B02C 7/02; B02C 7/04; A47J 42/00; A47J 42/04; A47J 42/14; A47J 42/24; A47J 42/34; A47J 42/36; A47J 42/20; A47J 43/25; A47J 43/255; A47J 43/04; A47J 43/06; B26B 27/00; A24B 7/00; A24F 23/04
See application file for complete search history.

(56) **References Cited**

U.S. PATENT DOCUMENTS

D474,378 S 5/2003 Brandenburg
D669,747 S 10/2012 Grant
D714,595 S 10/2014 Ducey
D755,022 S 5/2016 Dukat
D761,064 S 7/2016 Dukat

D804,093 S 11/2017 Chen
D813,618 S 3/2018 Witko et al.
D842,537 S 3/2019 Booth
D862,537 S 10/2019 Larose
D907,236 S 1/2021 Lee
2012/0168544 A1* 7/2012 Chaoui A47J 42/24
241/68
2016/0100715 A1* 4/2016 Staiano A47J 42/34
241/79
2017/0202396 A1* 7/2017 Gumbel A47J 42/12
2018/0199759 A1* 7/2018 Qiu A47J 42/20
2018/0206675 A1* 7/2018 Mennillo A47J 42/14

* cited by examiner

Primary Examiner — Terry A Wallace

(74) *Attorney, Agent, or Firm* — Xiaofang Zhong; Law Office of Xiaofang Zhong, PLLC

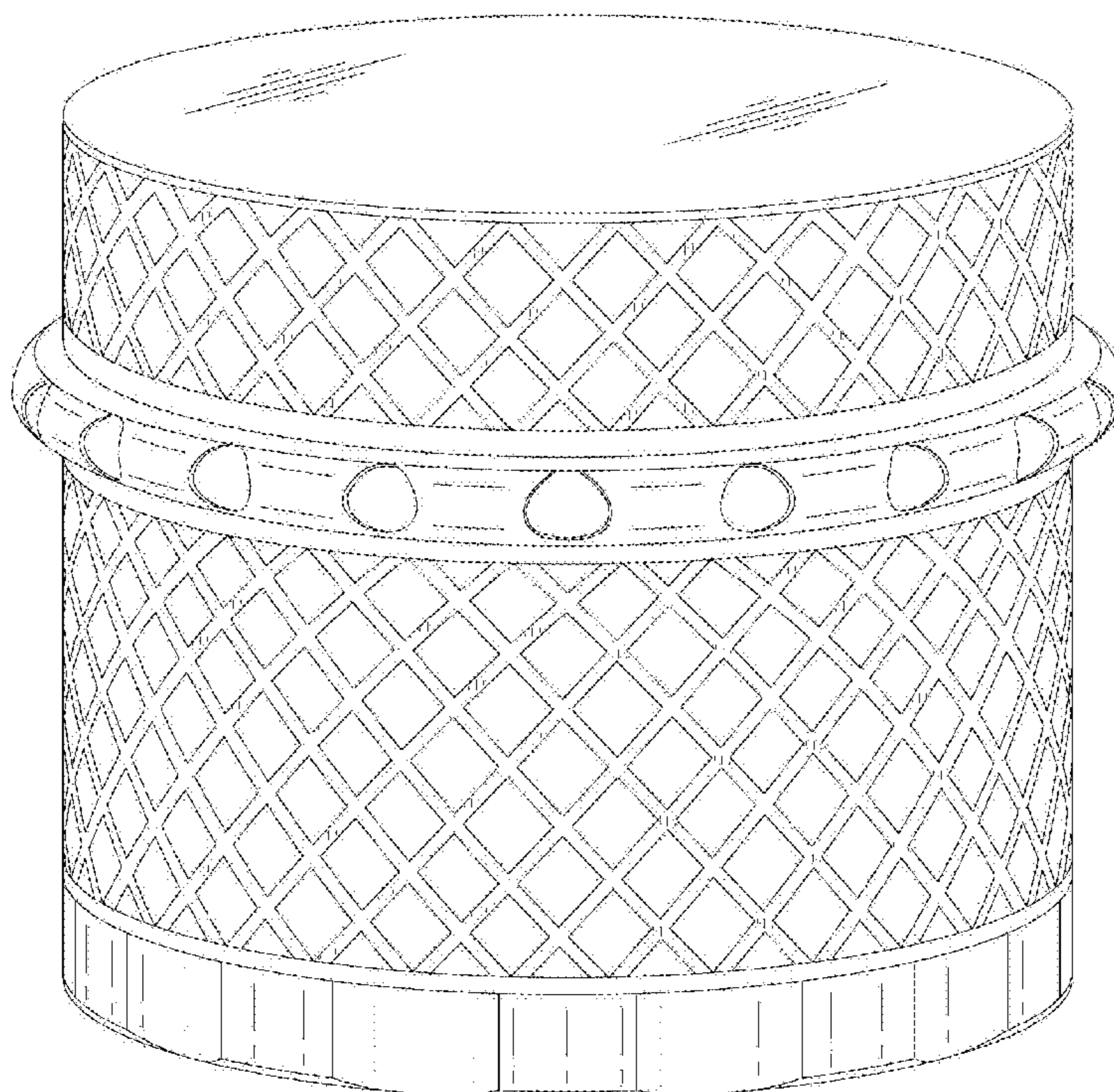
(57) **CLAIM**

The ornamental design for an herb grinder, as shown and described.

DESCRIPTION

FIG. 1 is a perspective view of an herb grinder showing my new design;
FIG. 2 is a front elevational view thereof;
FIG. 3 is a rear elevational view thereof;
FIG. 4 is a right side elevational view thereof;
FIG. 5 is a left side elevational view thereof;
FIG. 6 is a top plan view thereof;
FIG. 7 is a bottom plan view thereof; and,
FIG. 8 is an exploded perspective view of the herb grinder. The broken lines in the drawings depict portions of the herb grinder that form no part of the claimed design.

1 Claim, 8 Drawing Sheets



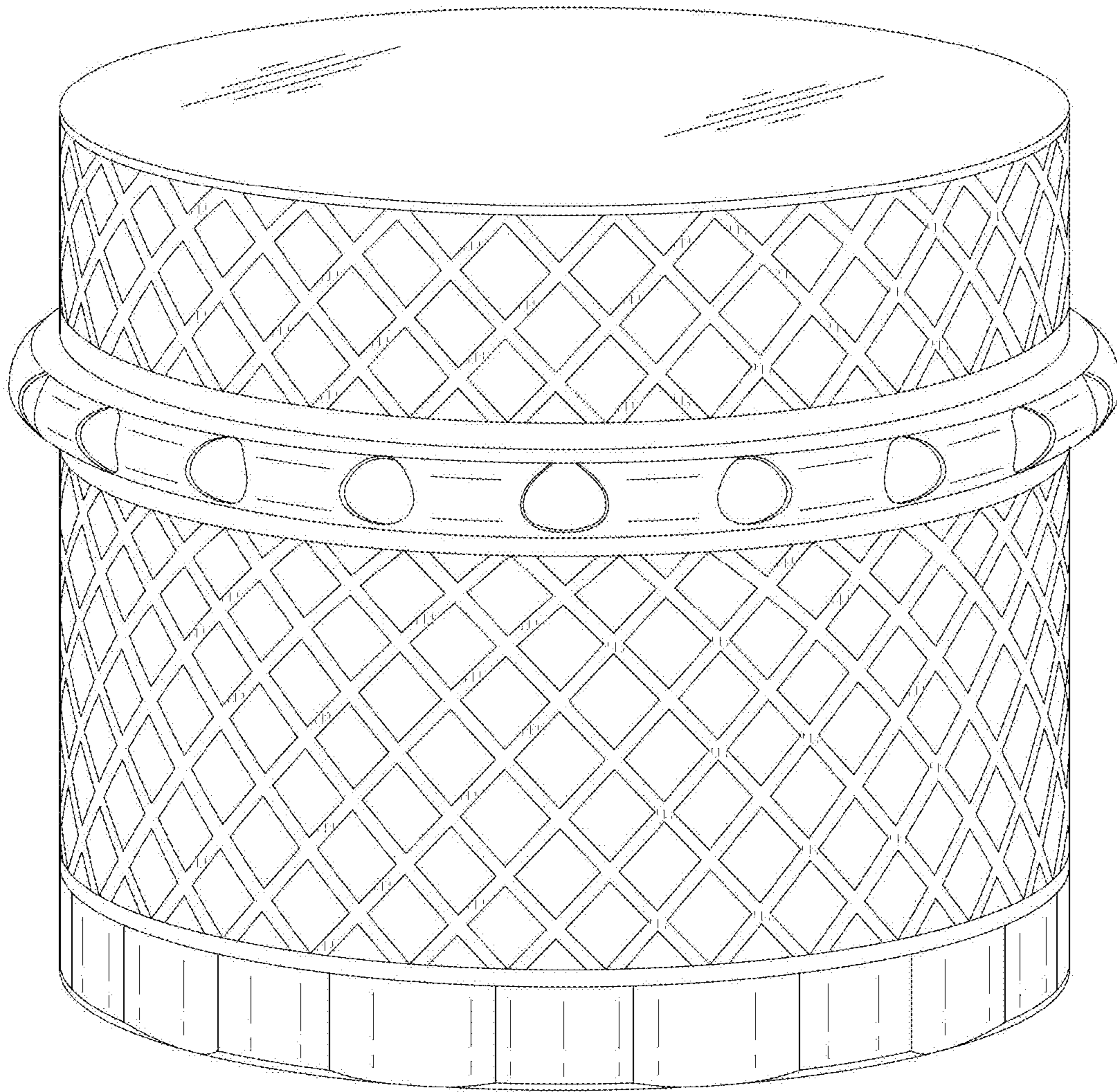


FIG. 1

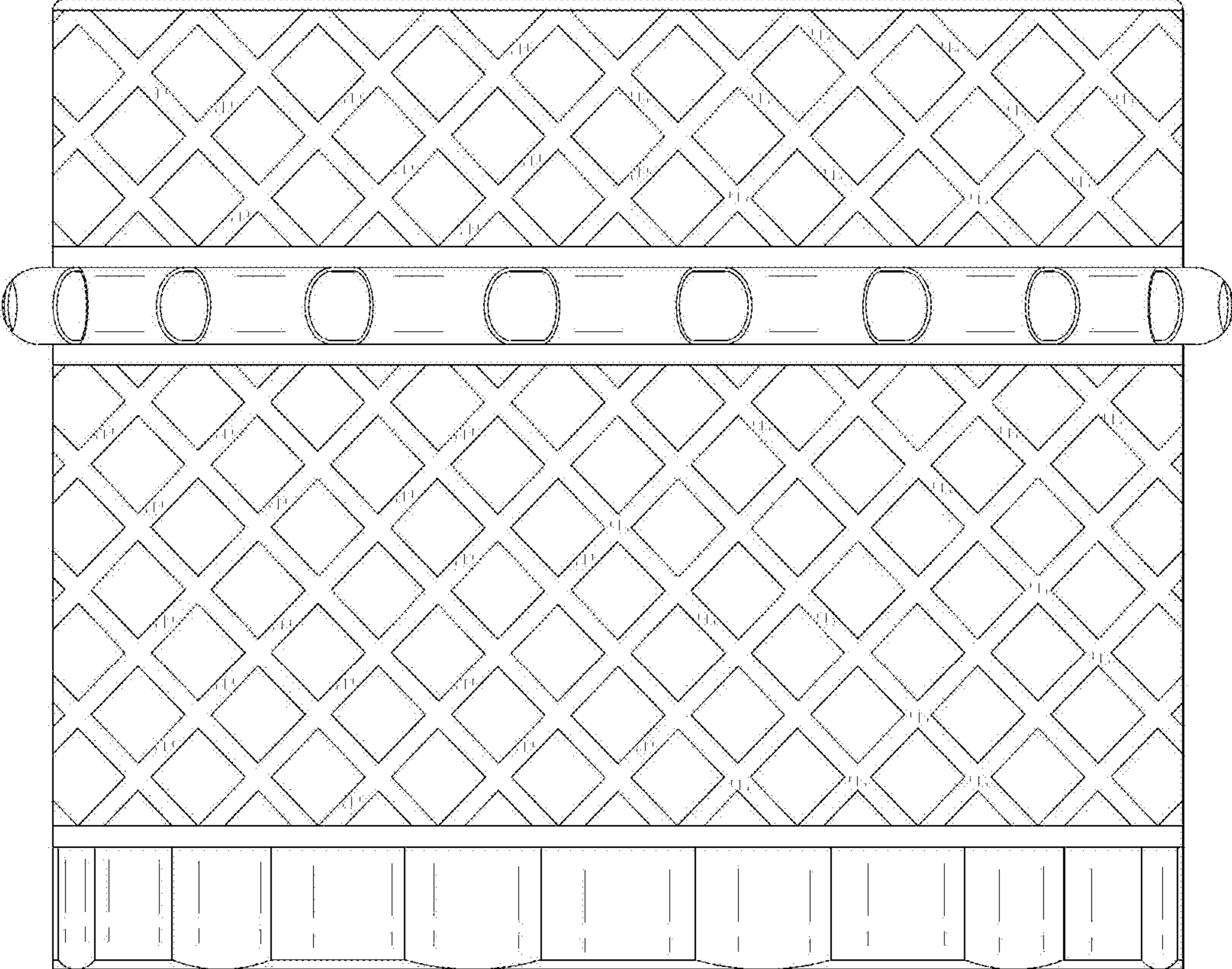


FIG. 2

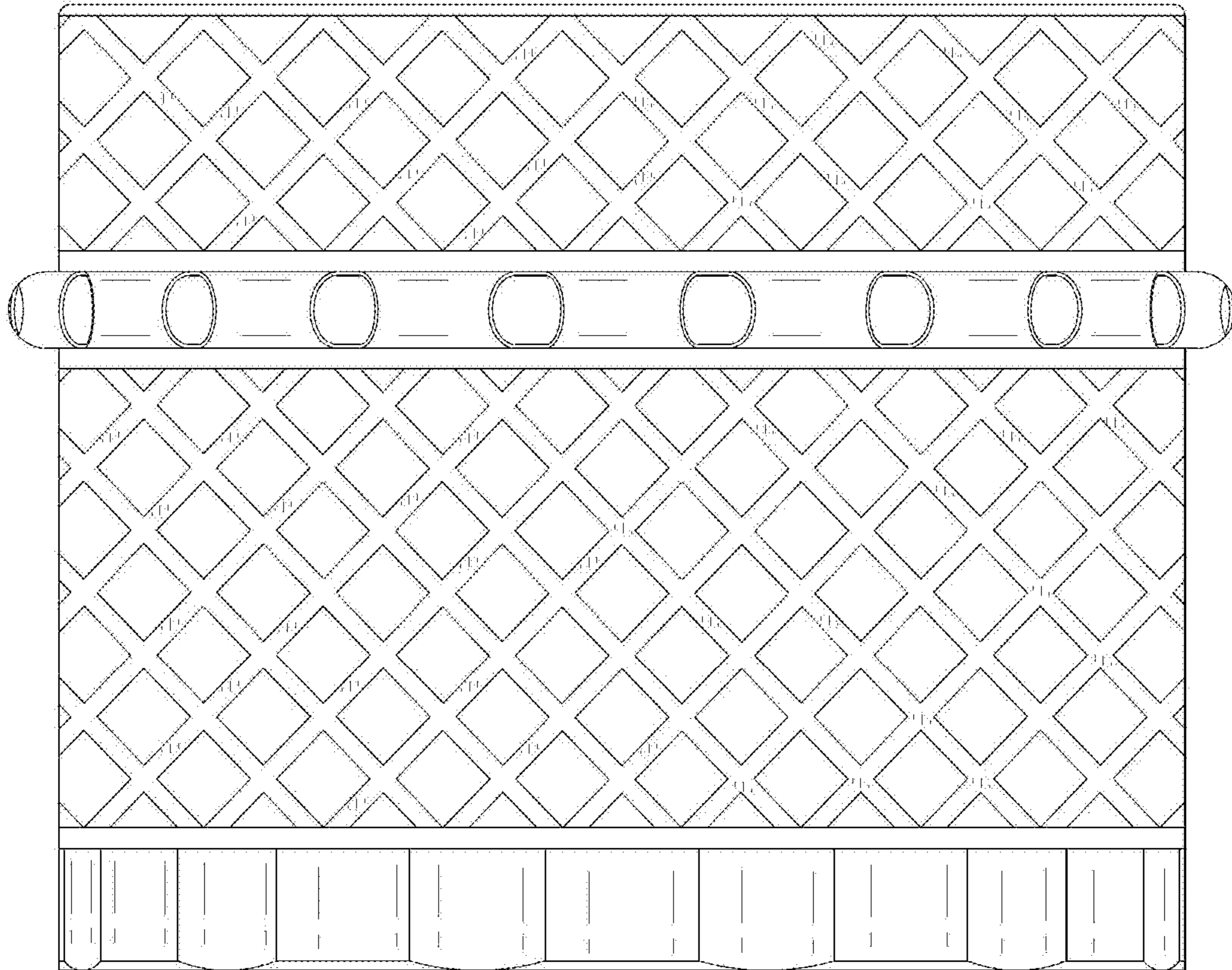


FIG. 3

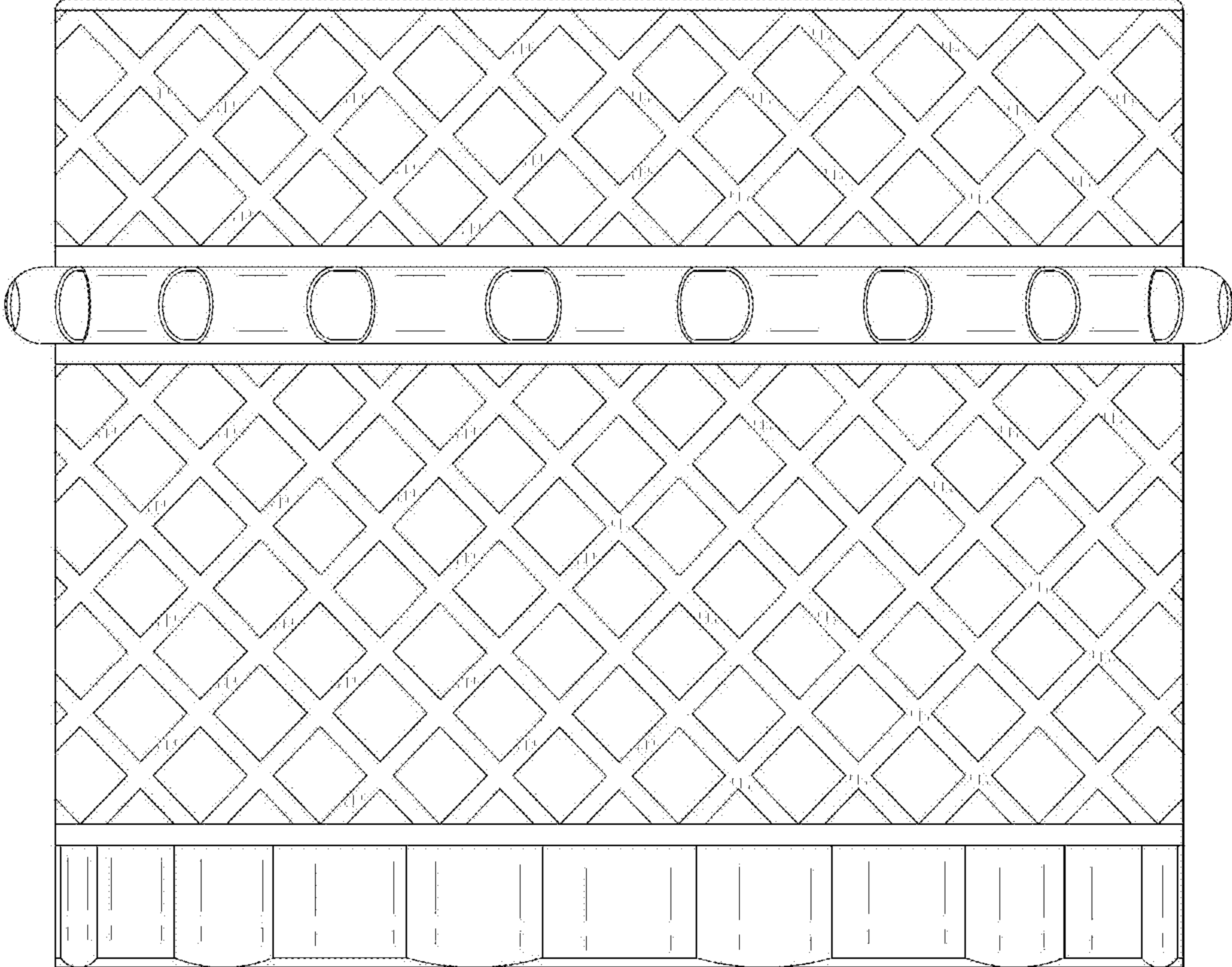


FIG. 4

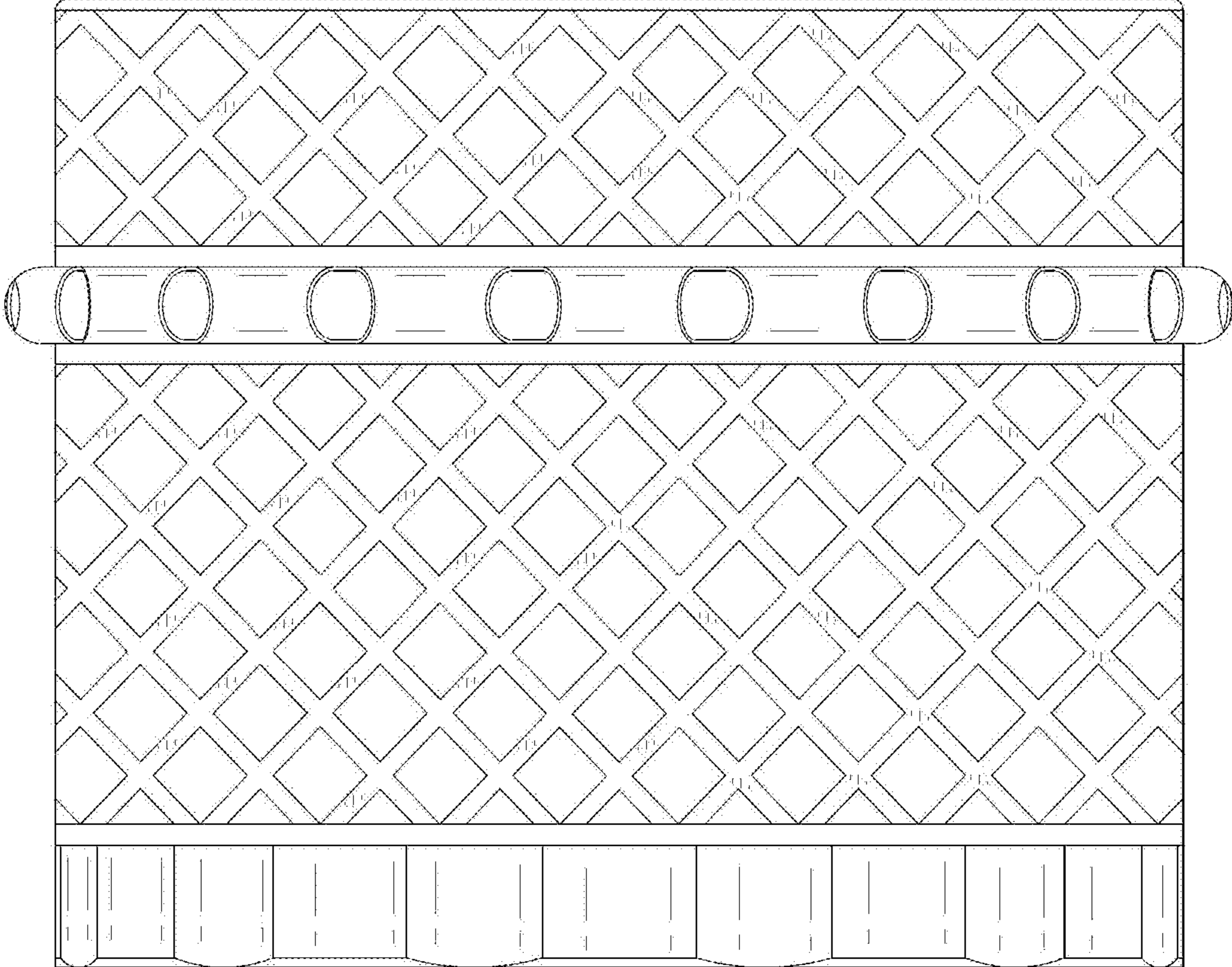


FIG. 5

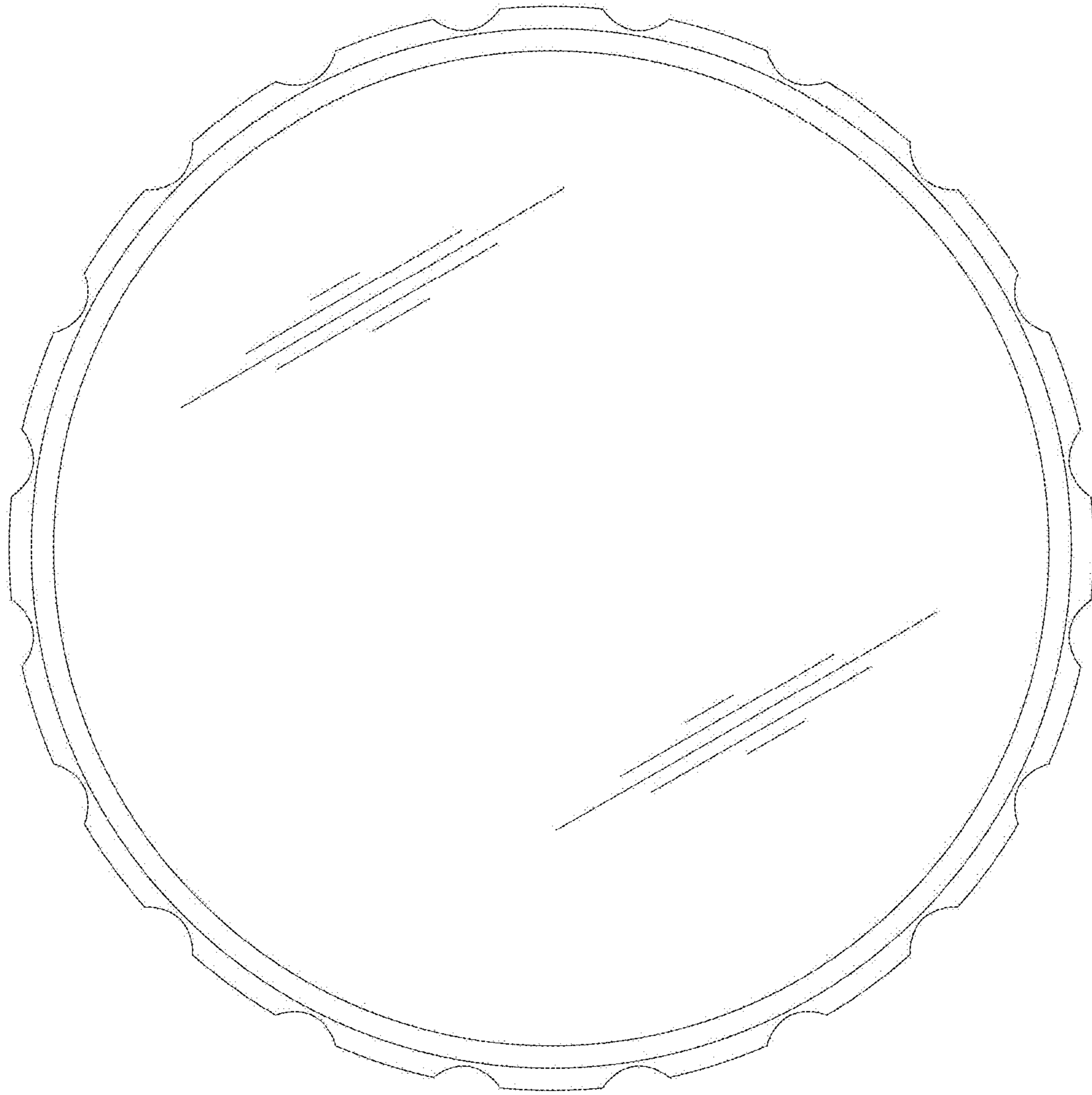


FIG. 6

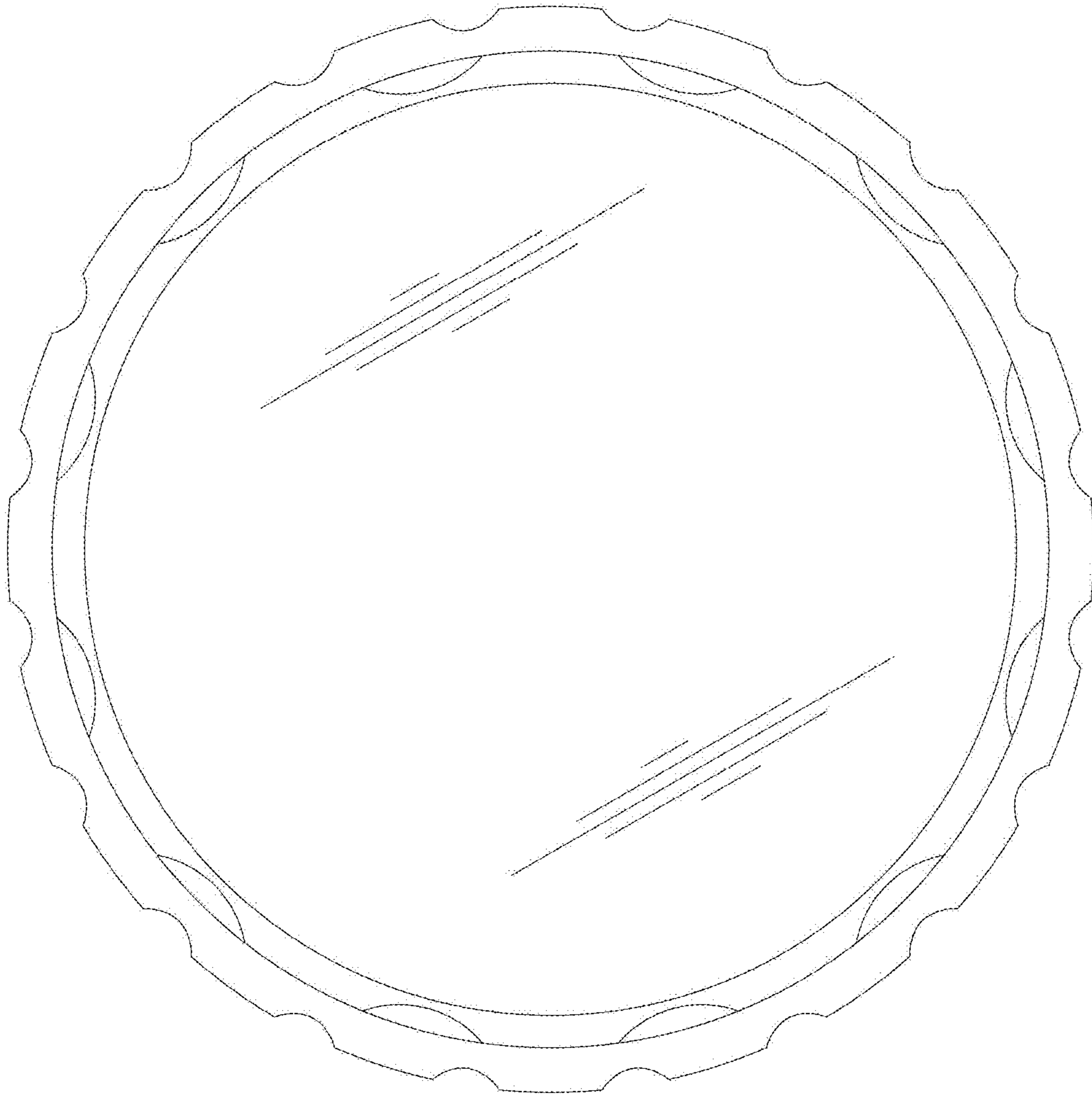


FIG. 7

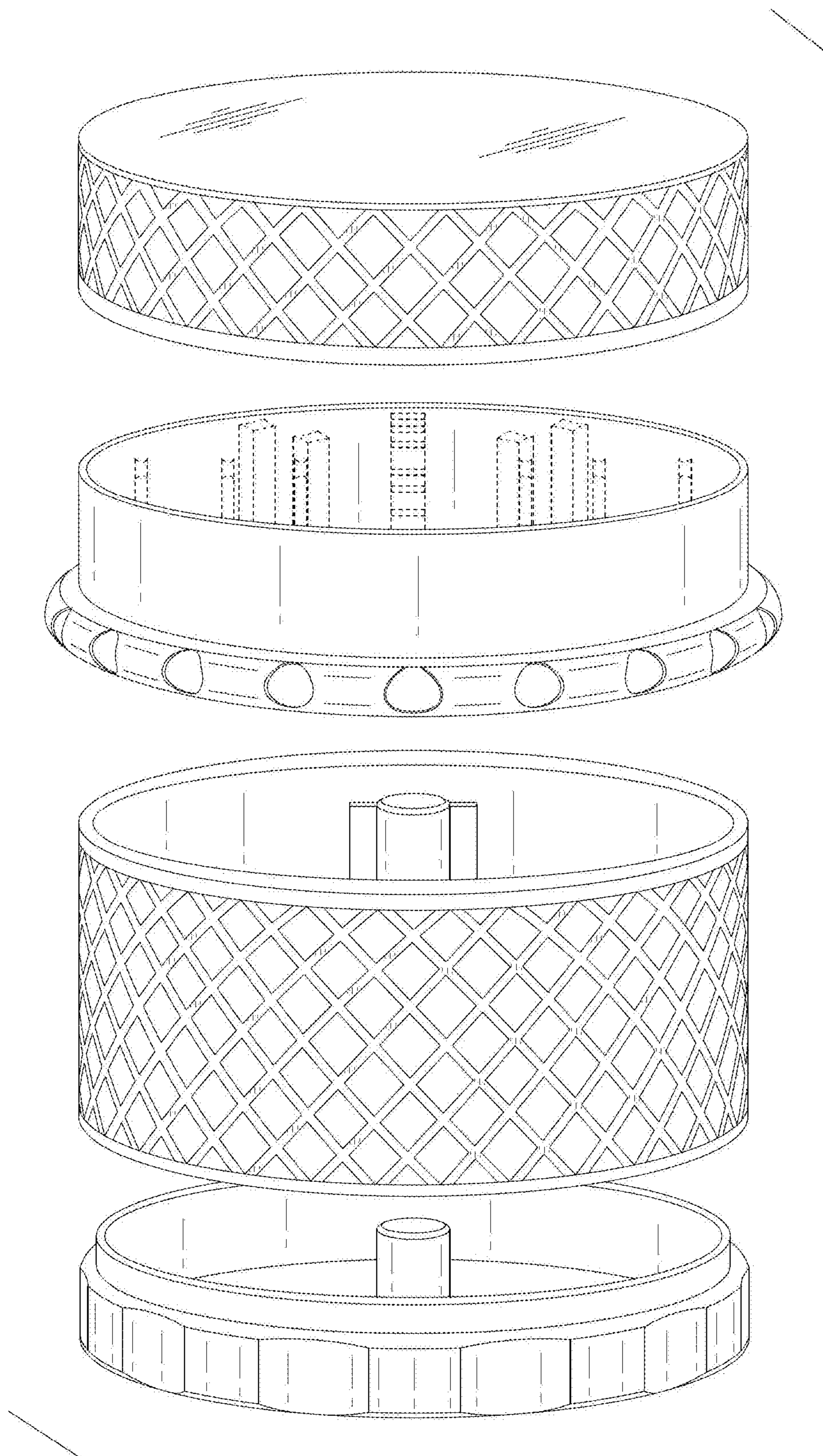


FIG. 8