



US00D945224S

(12) **United States Design Patent**
Wong

(10) **Patent No.:** **US D945,224 S**

(45) **Date of Patent:** **** Mar. 8, 2022**

(54) **HOLDER FOR COASTERS**

OTHER PUBLICATIONS

(71) Applicant: **HAPPYTHINGS DESIGN & ENGINEERING LTD**, Hong Kong (CN)

Amazon.com, MECOWON Music Coasters with Vinyl Record Player Holder, Set of 6 Drink Coasters for Music Lovers, ASIN B08FJ915R4, pp. 1-9, date first available Oct. 10, 2020. (Year: 2020).*

(72) Inventor: **Chi Man Wong**, Hong Kong (CN)

Amazon.com, MECOWON Vinyl Record Coasters with Record Player Holder—6Packs, Cool Coasters for Music Lovers, ASIN B08P14HHB3, pp. 1-9, date first available Nov. 23, 2020. (Year: 2020).*

(73) Assignee: **HAPPYTHINGS DESIGN & ENGINEERING LTD**, Hong Kong (CN)

* cited by examiner

(**) Term: **15 Years**

Primary Examiner — Terry A Wallace

(21) Appl. No.: **29/763,546**

(22) Filed: **Dec. 23, 2020**

(57) **CLAIM**

(51) **LOC (13) Cl.** **07-06**

The ornamental design for a holder for coasters, as shown and described.

(52) **U.S. Cl.**
USPC **D7/625**

(58) **Field of Classification Search**
USPC D7/619.1-625; D14/175, 176, 199, 200, D14/203

CPC .. A47G 23/03; A47G 23/032; A47G 23/0303; A47G 23/0306; A47G 23/0309; A47G 23/0313; A47G 23/0316; A47G 19/2283; A47B 91/12

DESCRIPTION

See application file for complete search history.

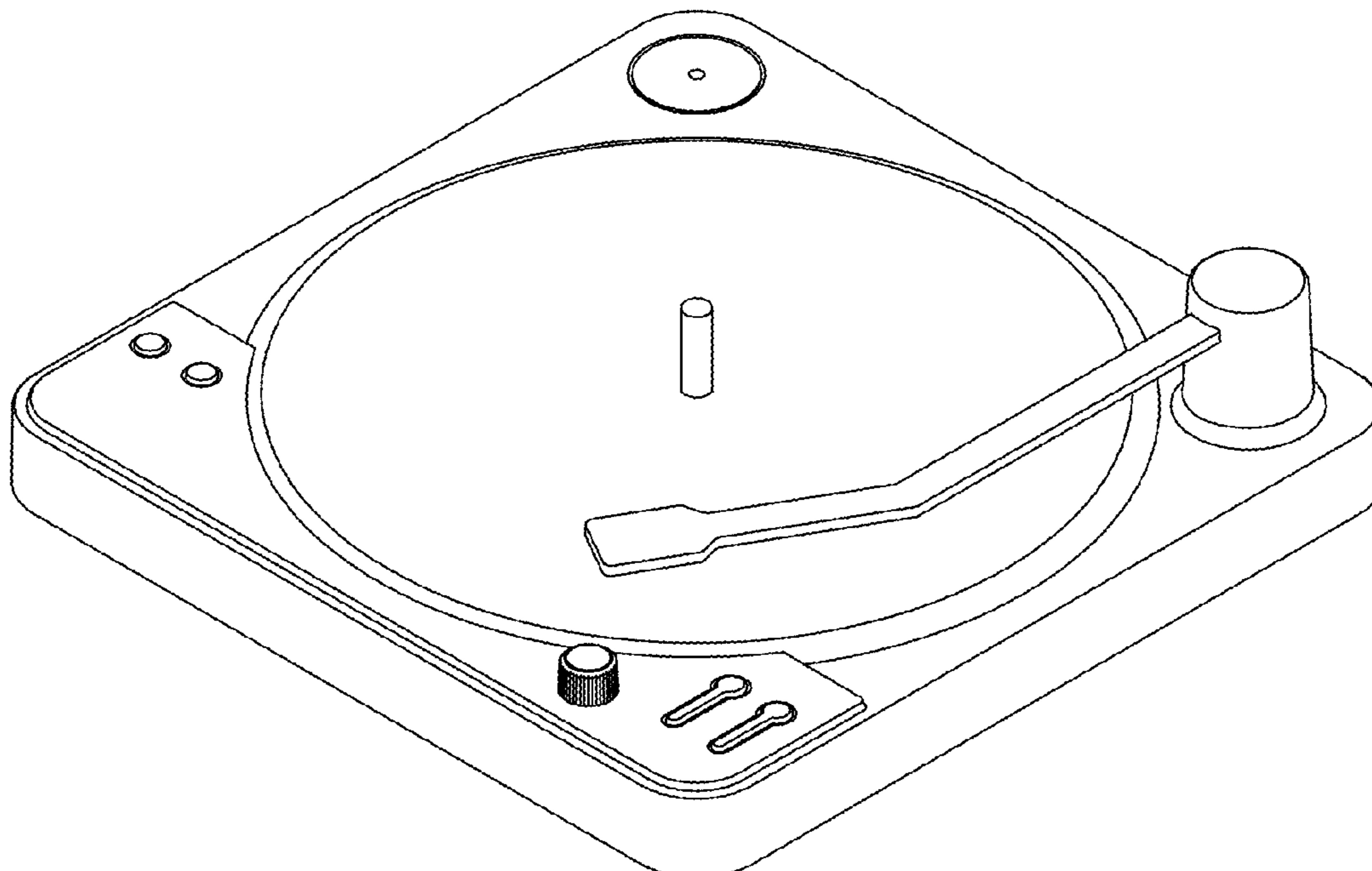
FIG. 1 is a perspective view of a holder for coasters showing my new design;
FIG. 2 is another perspective view thereof;
FIG. 3 is a perspective view of the holder for coasters where the holder for coasters is in a configuration of use;
FIG. 4 is a top plan view of FIG. 1;
FIG. 5 is a bottom plan view of FIG. 1;
FIG. 6 is a front side elevational view of FIG. 1;
FIG. 7 is a left side elevational view of FIG. 1;
FIG. 8 is a right side elevational view of FIG. 1; and,
FIG. 9 is a rear elevational view of FIG. 1.
The broken lines in the drawings depict portions of the holder for coasters that form no part of the claimed design.

(56) **References Cited**

U.S. PATENT DOCUMENTS

D253,648 S *	12/1979	Ohtomo	D14/203
D278,810 S *	5/1985	Murphy	D14/203
D808,922 S *	1/2018	Waterman	D14/203
D809,874 S	2/2018	Thomason		
D888,513 S	6/2020	Dangler		
2010/0157579 A1 *	6/2010	Kononuk	A47G 23/0309 362/101

1 Claim, 9 Drawing Sheets



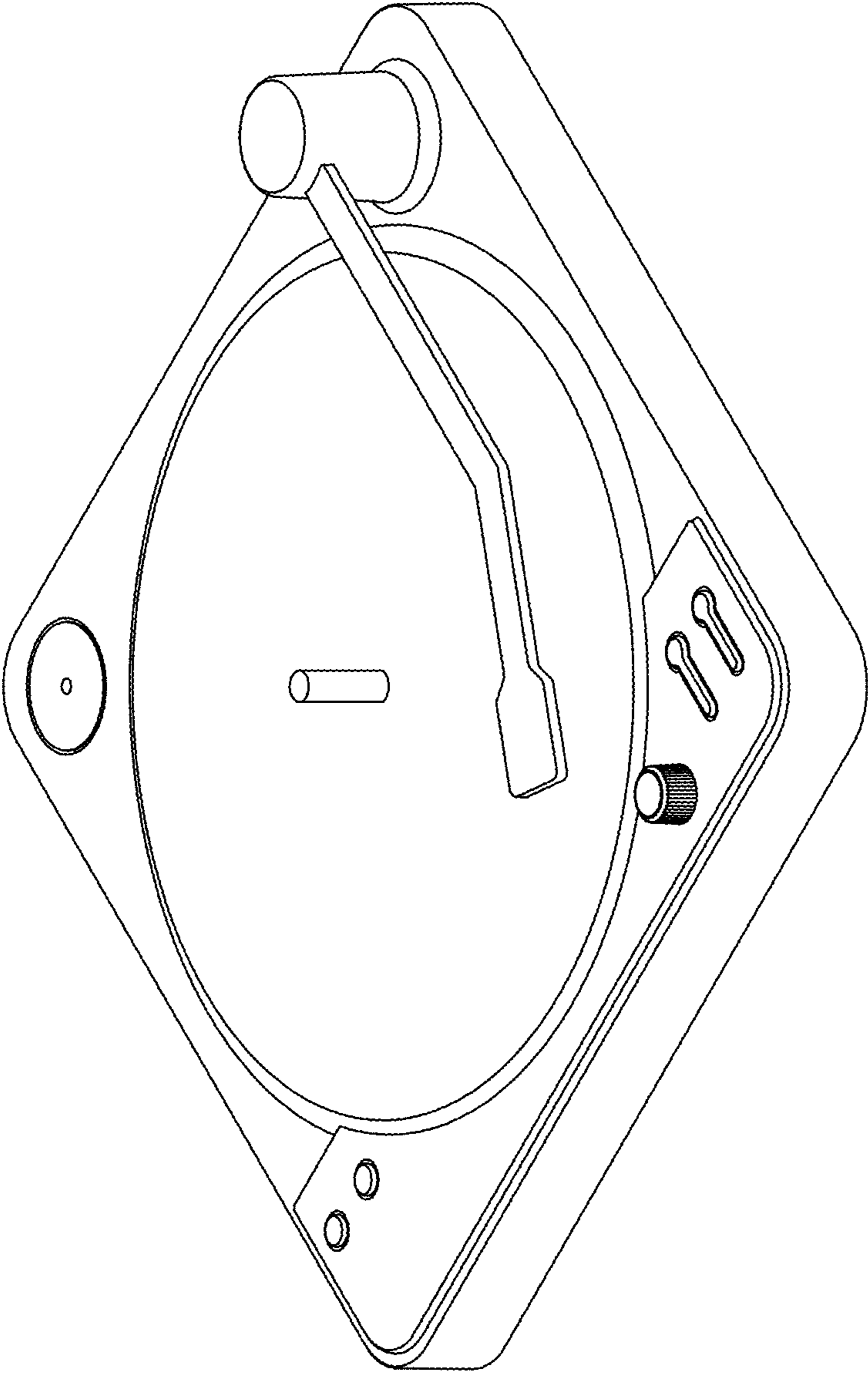


FIG. 1

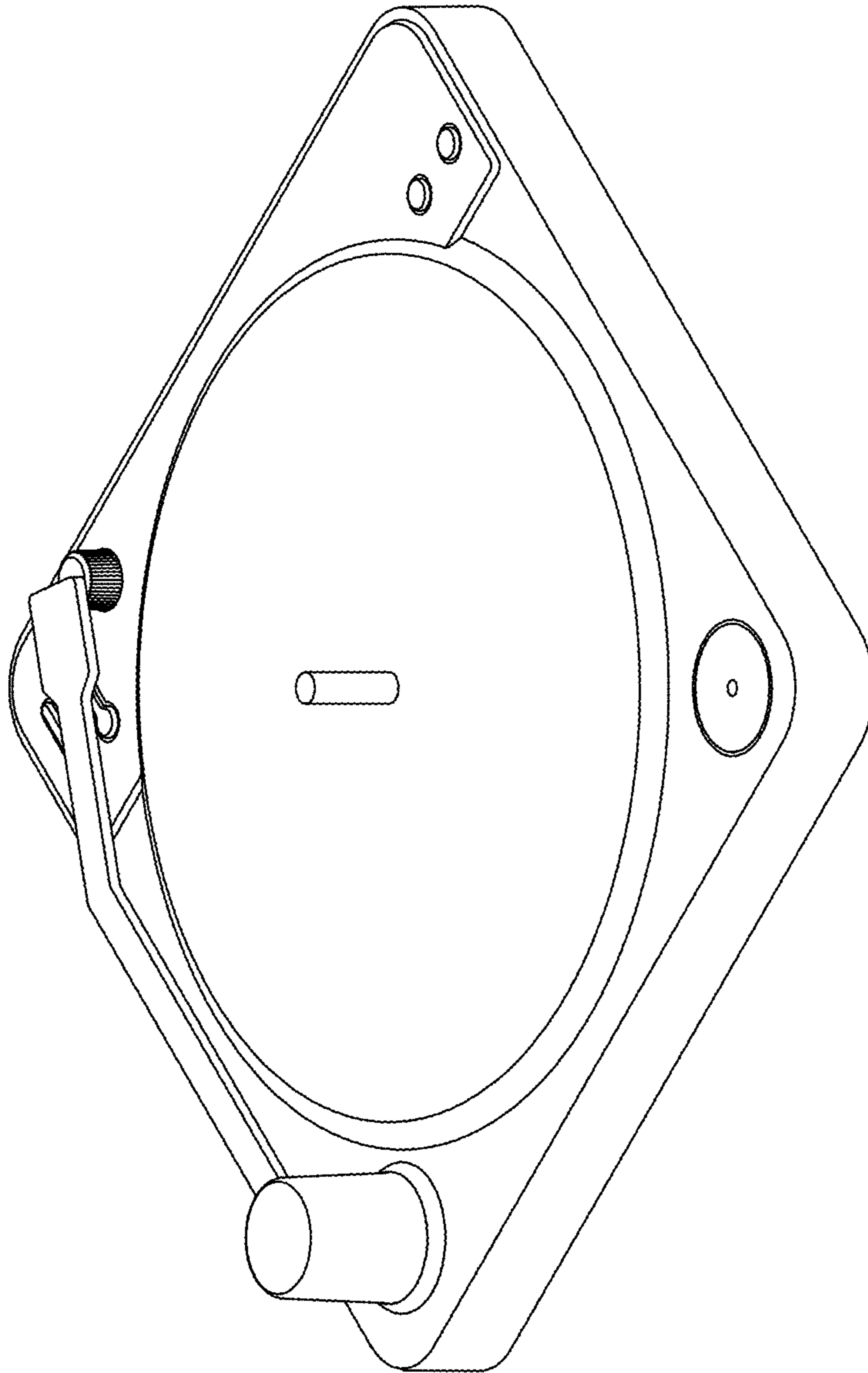


FIG. 2

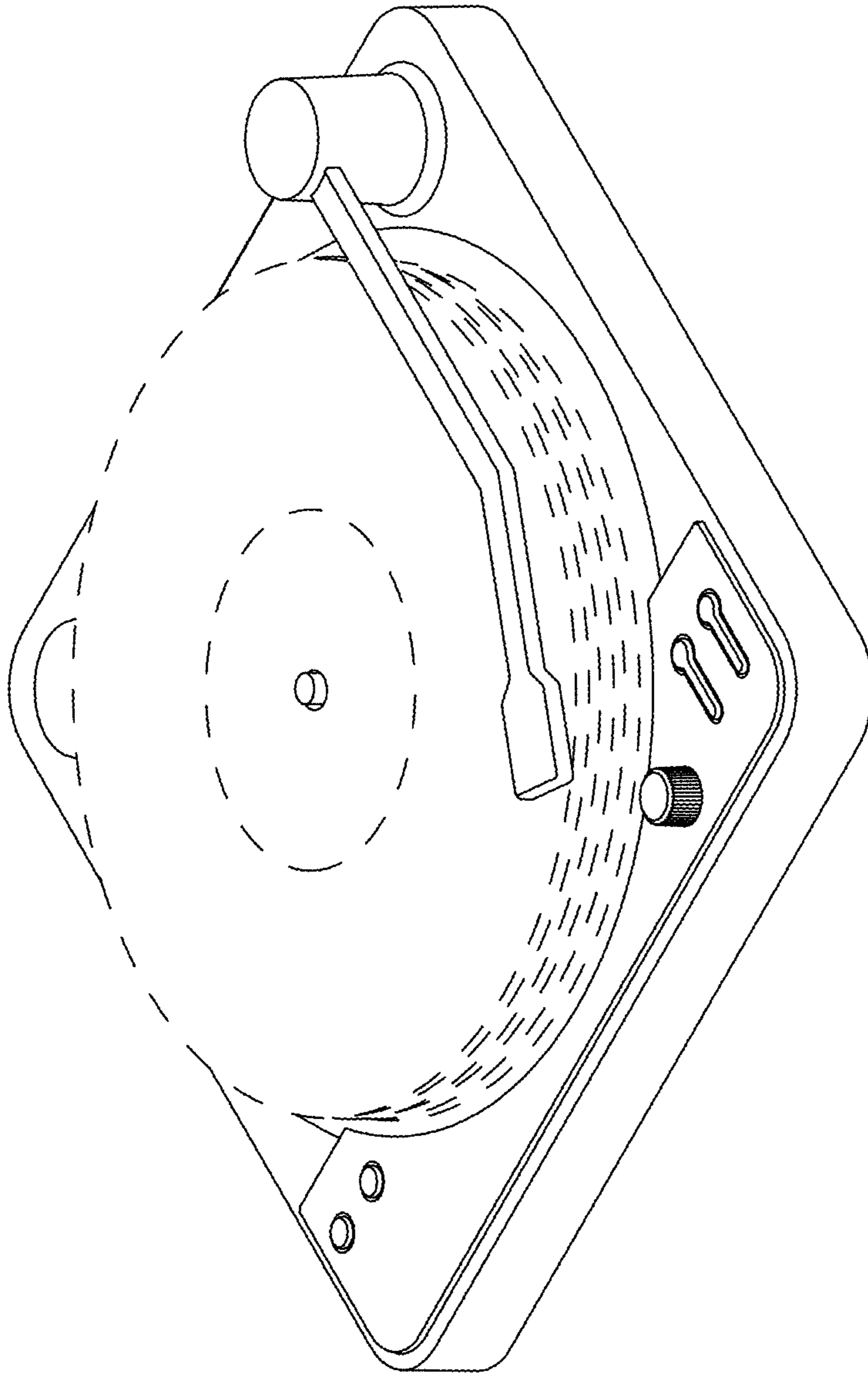


FIG. 3

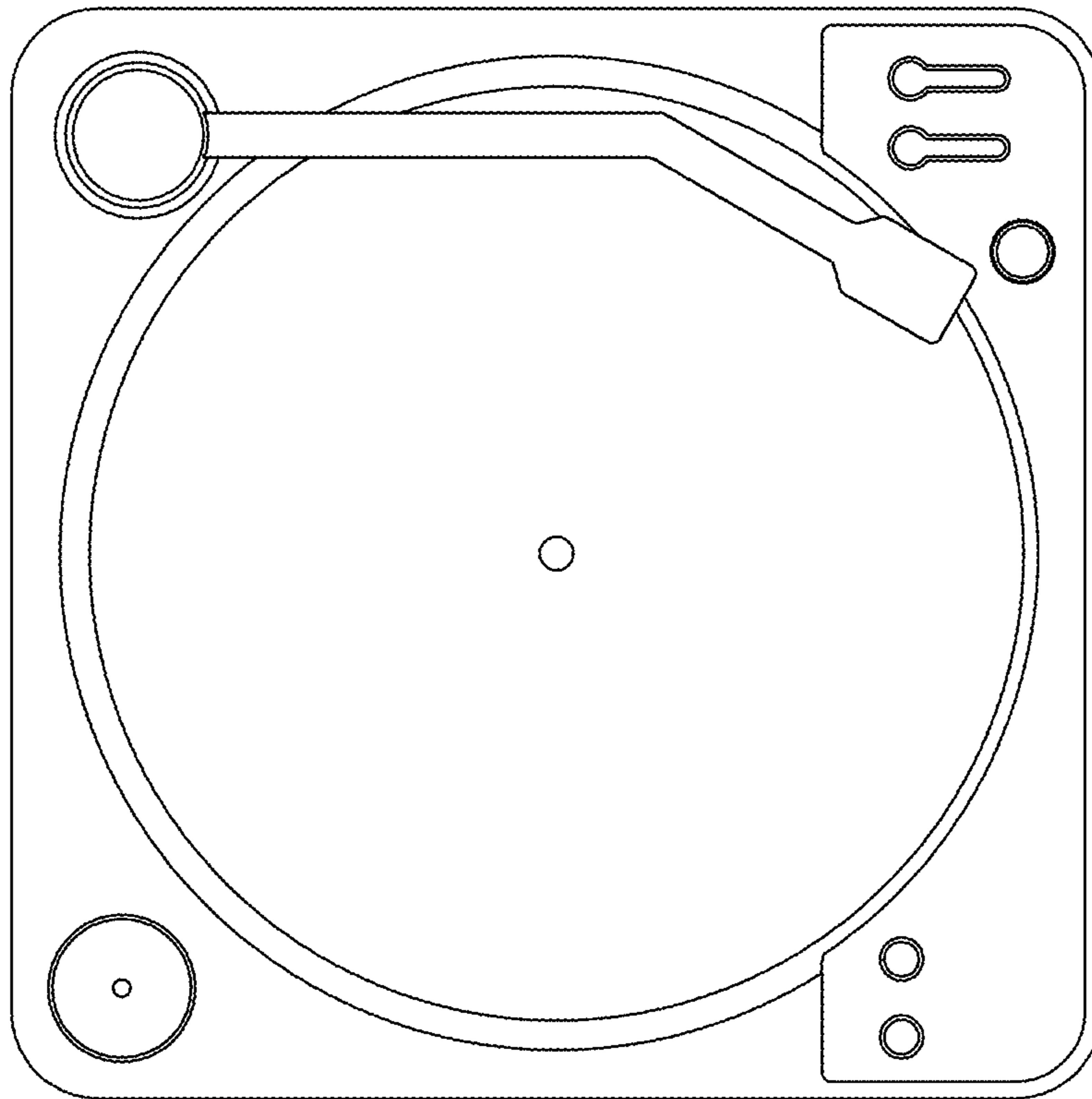


FIG. 4

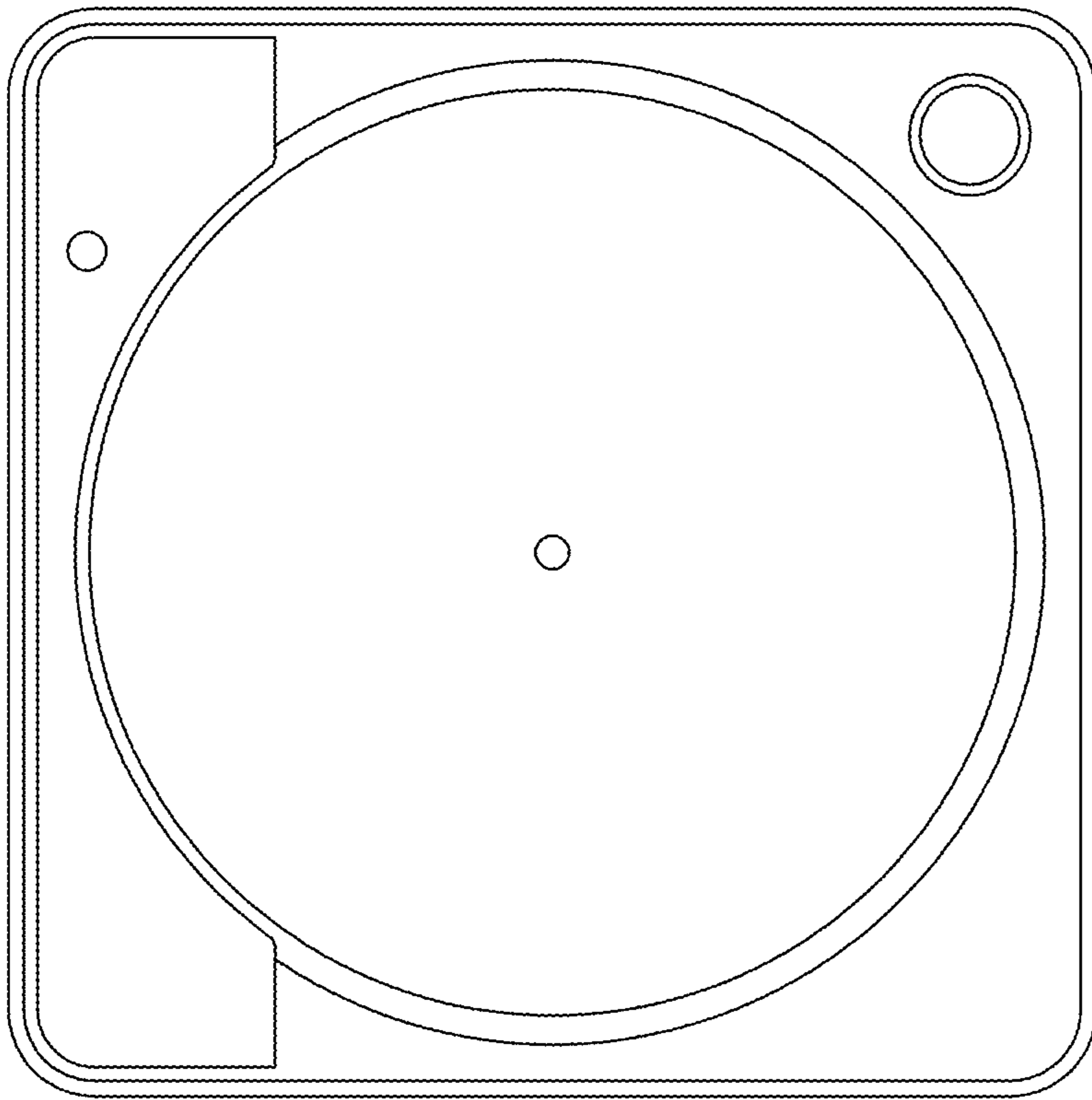


FIG. 5

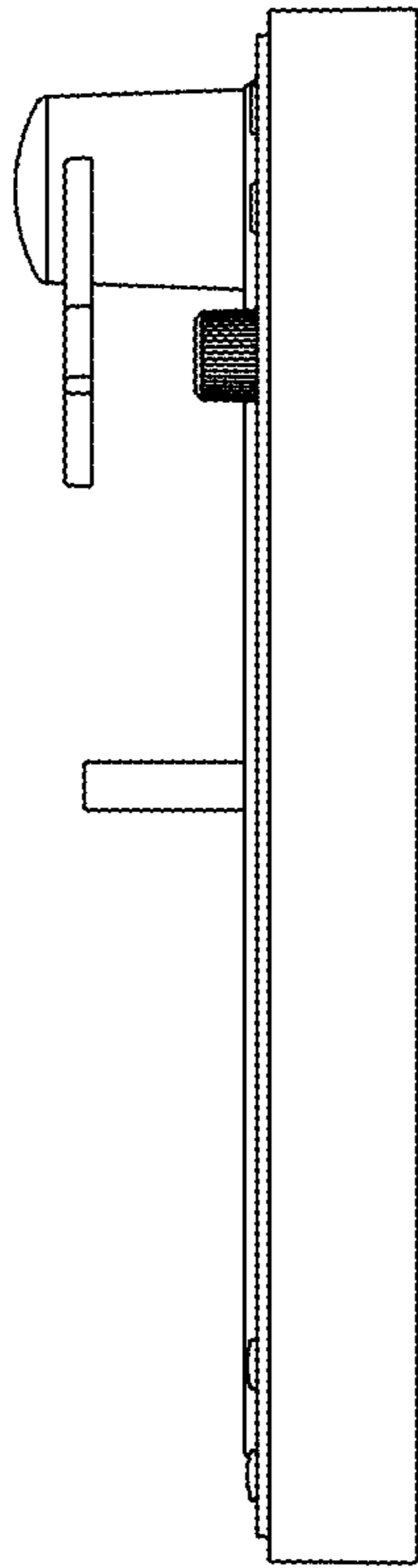


FIG. 6

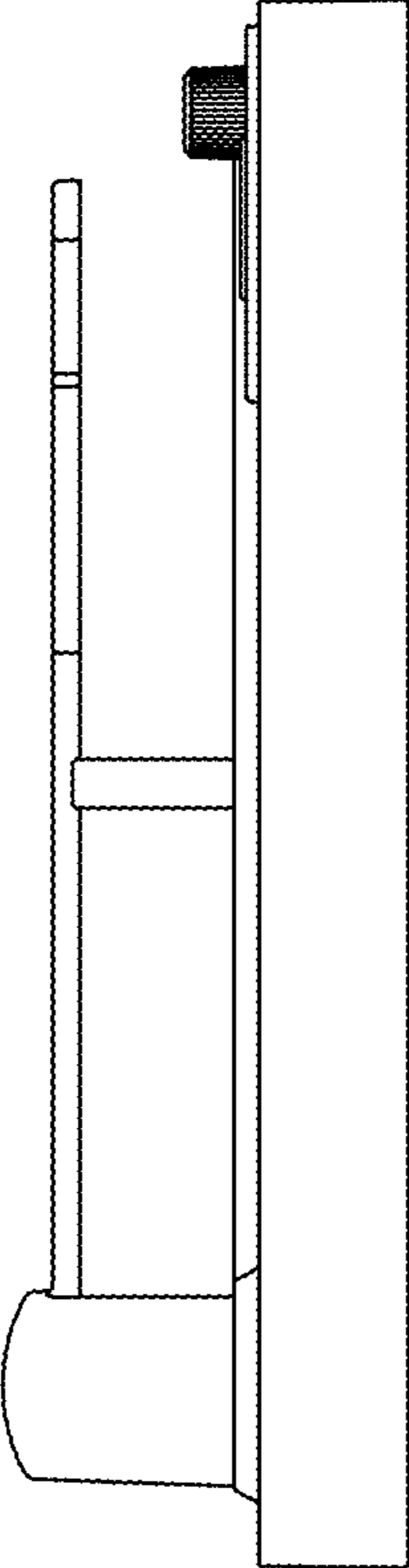


FIG. 7

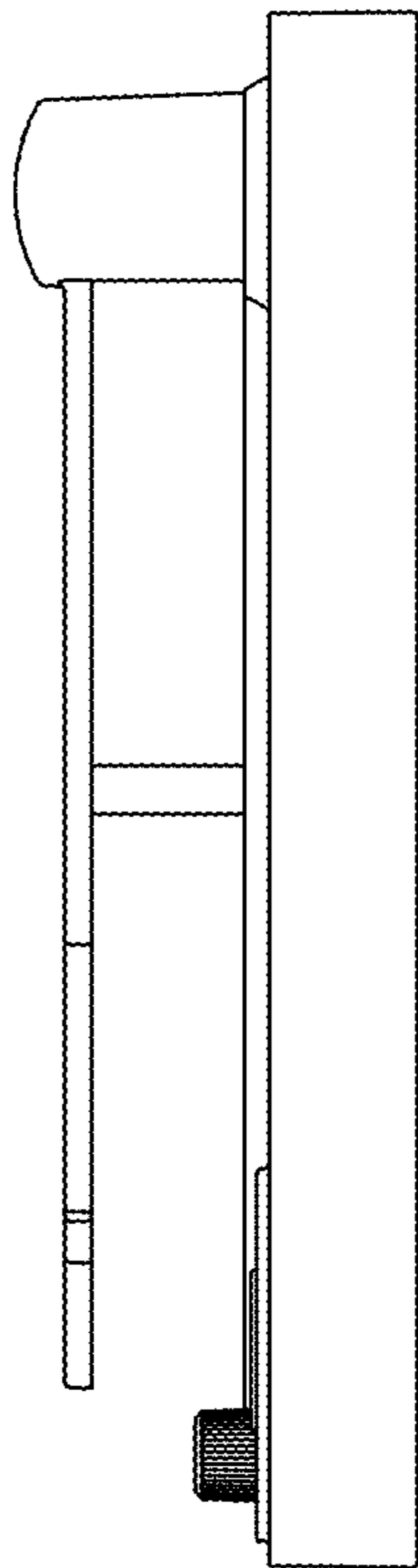


FIG. 8

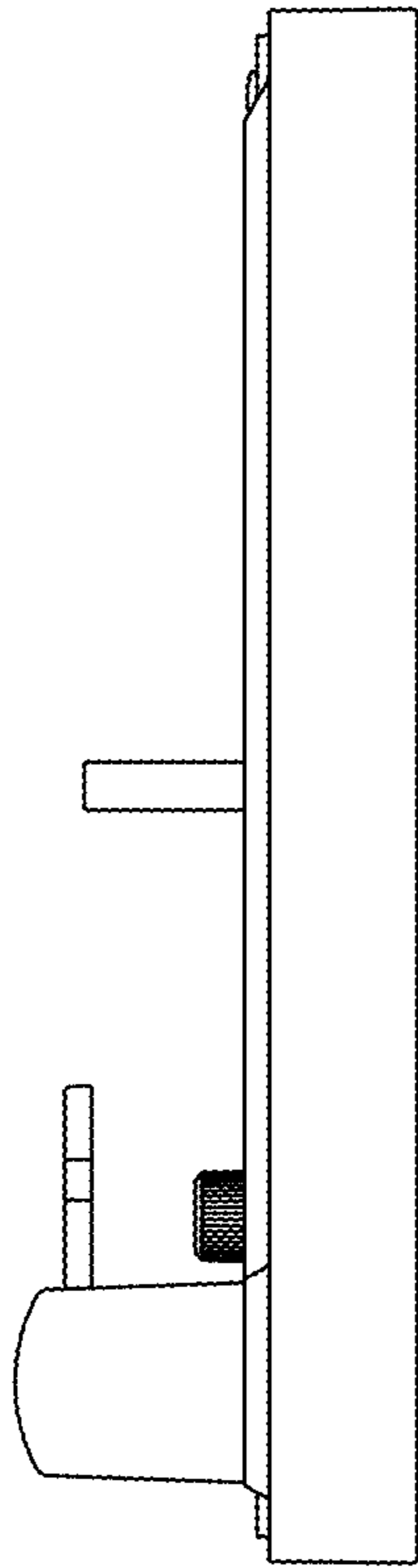


FIG. 9