



US00D945223S

(12) **United States Design Patent** (10) **Patent No.:** **US D945,223 S**
Rogers et al. (45) **Date of Patent:** **** Mar. 8, 2022**

- (54) **FLOATING BEVERAGE CONTAINER**
- (71) Applicants: **Thomas M. Rogers**, Columbia, MO (US); **Taunia D. Rogers**, Columbia, MO (US)
- (72) Inventors: **Thomas M. Rogers**, Columbia, MO (US); **Taunia D. Rogers**, Columbia, MO (US)
- (**) Term: **15 Years**
- (21) Appl. No.: **29/724,237**
- (22) Filed: **Mar. 5, 2020**

Related U.S. Application Data

- (63) Continuation-in-part of application No. 29/643,892, filed on Apr. 12, 2018, now Pat. No. Des. 873,624, which is a continuation-in-part of application No. 15/918,734, filed on Mar. 12, 2018, which is a continuation-in-part of application No. 14/703,150, filed on May 4, 2015, now abandoned.
- (51) **LOC (13) Cl.** **07-06**
- (52) **U.S. Cl.**
USPC **D7/619.1**
- (58) **Field of Classification Search**
USPC D7/619.1-625, 701-708; D21/801, 803, D21/809
CPC B65D 81/3876; B65D 81/3879; B65D 81/3881; B65D 81/3883; B65D 81/3886; B65D 25/00; A47G 23/0216; A47G 23/02; A47G 23/0208; A47G 23/0641; A47G 2200/02; A45F 200/0583; B65F 1/02; B65F 1/12; B65F 1/1468; B65F 2210/81; B65F 2240/138; G09F 23/06; G09F 23/02

See application file for complete search history.

- (56) **References Cited**
U.S. PATENT DOCUMENTS
- 3,015,406 A * 1/1962 Nolte A47G 23/06 220/560
- 3,308,981 A 3/1967 Starr et al.
- 3,521,788 A * 7/1970 Carter B65D 81/3867 220/675
- 4,571,194 A * 2/1986 Kiss A47G 23/0216 441/1
- 4,887,716 A 12/1989 Abraham
- 5,088,948 A 2/1992 Scheurer
- 5,361,604 A * 11/1994 Pier B65D 81/3883 62/371
- 5,447,764 A * 9/1995 Langford A47G 23/0216 220/560
- 5,727,709 A * 3/1998 Nobile B65D 81/3886 220/560
- 6,014,833 A 1/2000 Benavidez
- 6,029,845 A 2/2000 Mueller
- 6,085,926 A 7/2000 Weiss

(Continued)

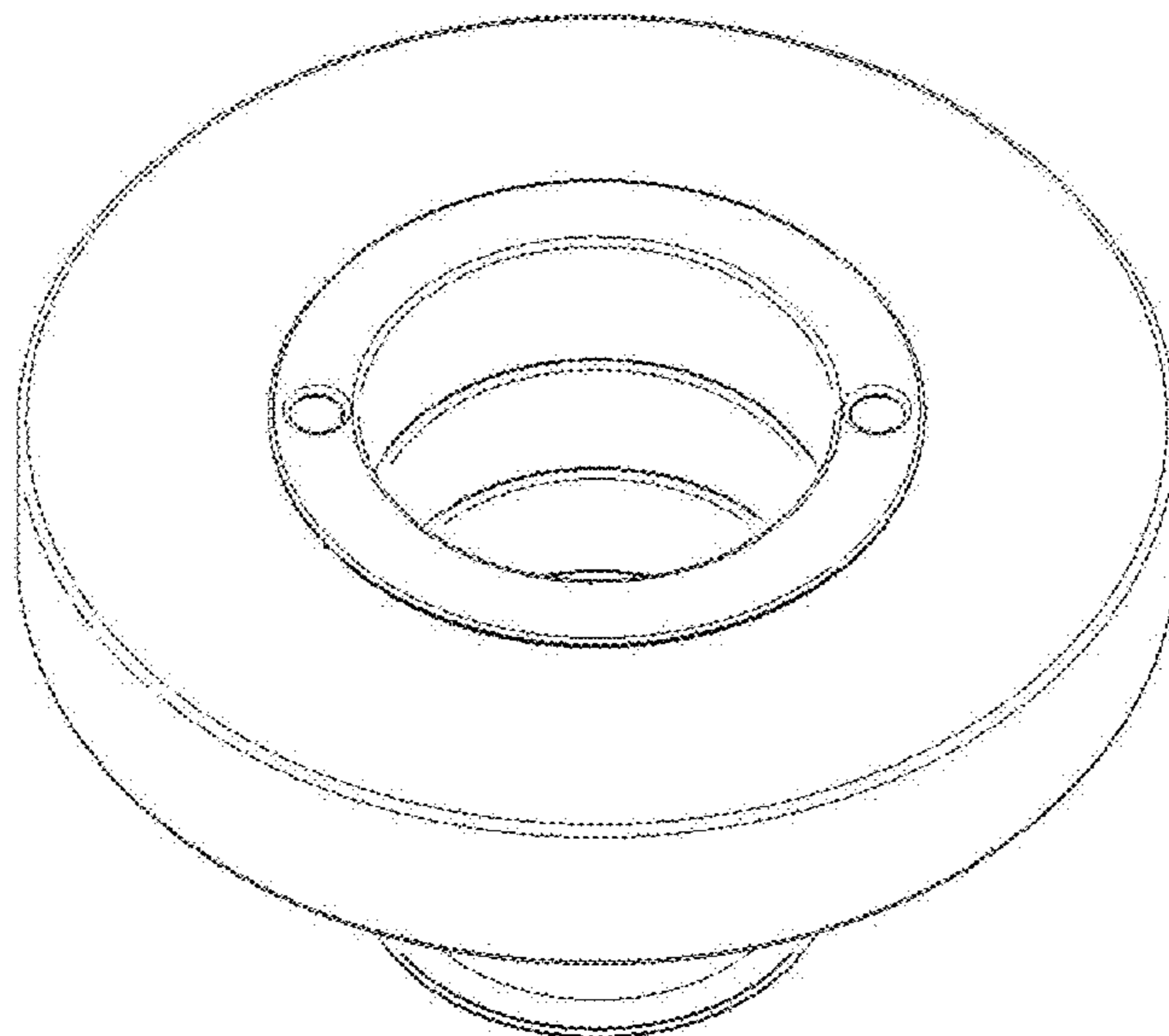
Primary Examiner — Terry A Wallace
(74) *Attorney, Agent, or Firm* — Law Office of Mark Brown, LLC; Christopher M. DeBacker

(57) **CLAIM**
The ornamental design for a floating beverage container, as shown and described.

DESCRIPTION

FIG. 1 is a three-dimensional isometric view of a floating beverage container in a first, extended orientation.
FIG. 2 is a three-dimensional isometric view thereof in a second, collapsed orientation.
FIG. 3 is an elevational view thereof, shown in a first, extended orientation.
FIG. 4 is an elevational view thereof, shown in a second, collapsed orientation.
FIG. 5 is a top plan view thereof.
FIG. 6 is a bottom plan view thereof; and,
FIG. 7 is a side sectional view taken about the line of FIG. 3.

1 Claim, 7 Drawing Sheets



(56)

References Cited

U.S. PATENT DOCUMENTS

6,269,587 B1 8/2001 Wallace
6,491,179 B2 12/2002 Dokun
6,607,090 B1* 8/2003 Doerr A47G 23/0216
220/560
6,616,493 B2 9/2003 Powell et al.
6,991,505 B1 1/2006 Wells
D639,117 S* 6/2011 Jonsson D7/624.2
9,044,082 B2* 6/2015 Kusuma A45F 3/20
D807,703 S* 1/2018 Rupp D7/523
2002/0027141 A1* 3/2002 Dokun B63B 22/24
220/560
2004/0040968 A1* 3/2004 Visser G09F 23/02
220/560
2009/0101655 A1 4/2009 Tess et al.
2010/0301053 A1 12/2010 Willis et al.
2014/0110412 A1* 4/2014 Johnson A47G 23/0216
220/560
2016/0022072 A1* 1/2016 McDowell A47G 23/0216
220/560

* cited by examiner

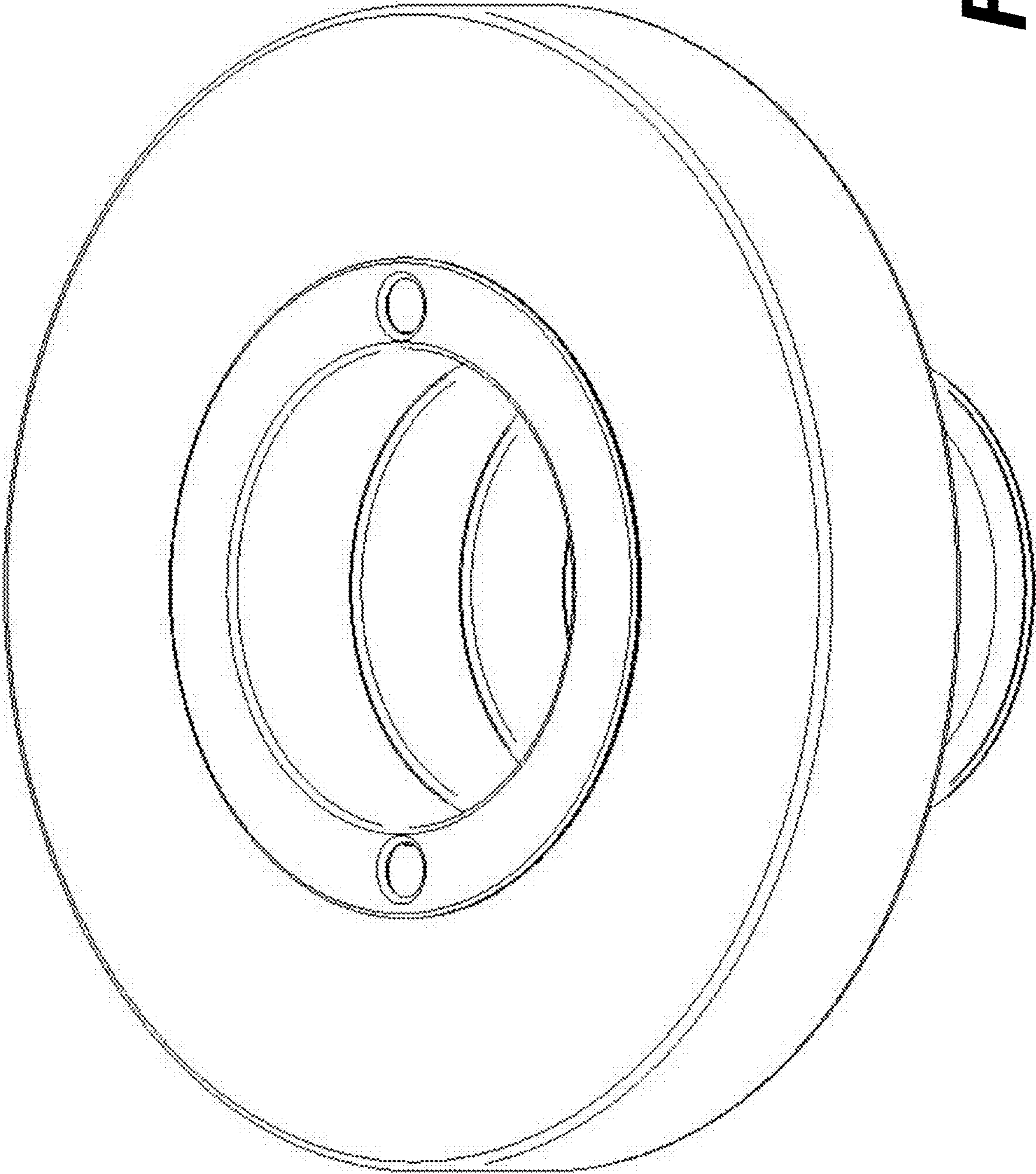


FIG. 1

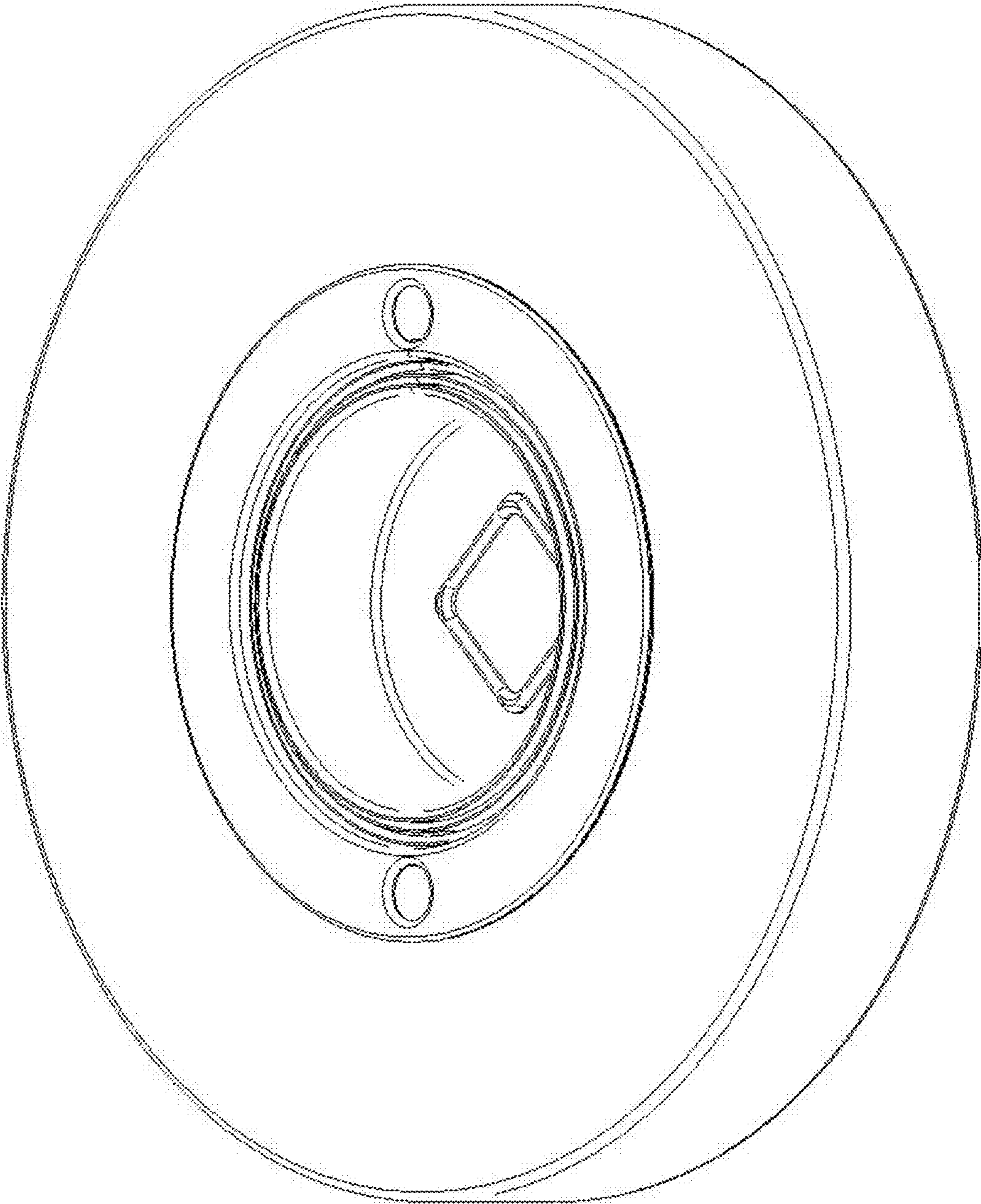


FIG. 2

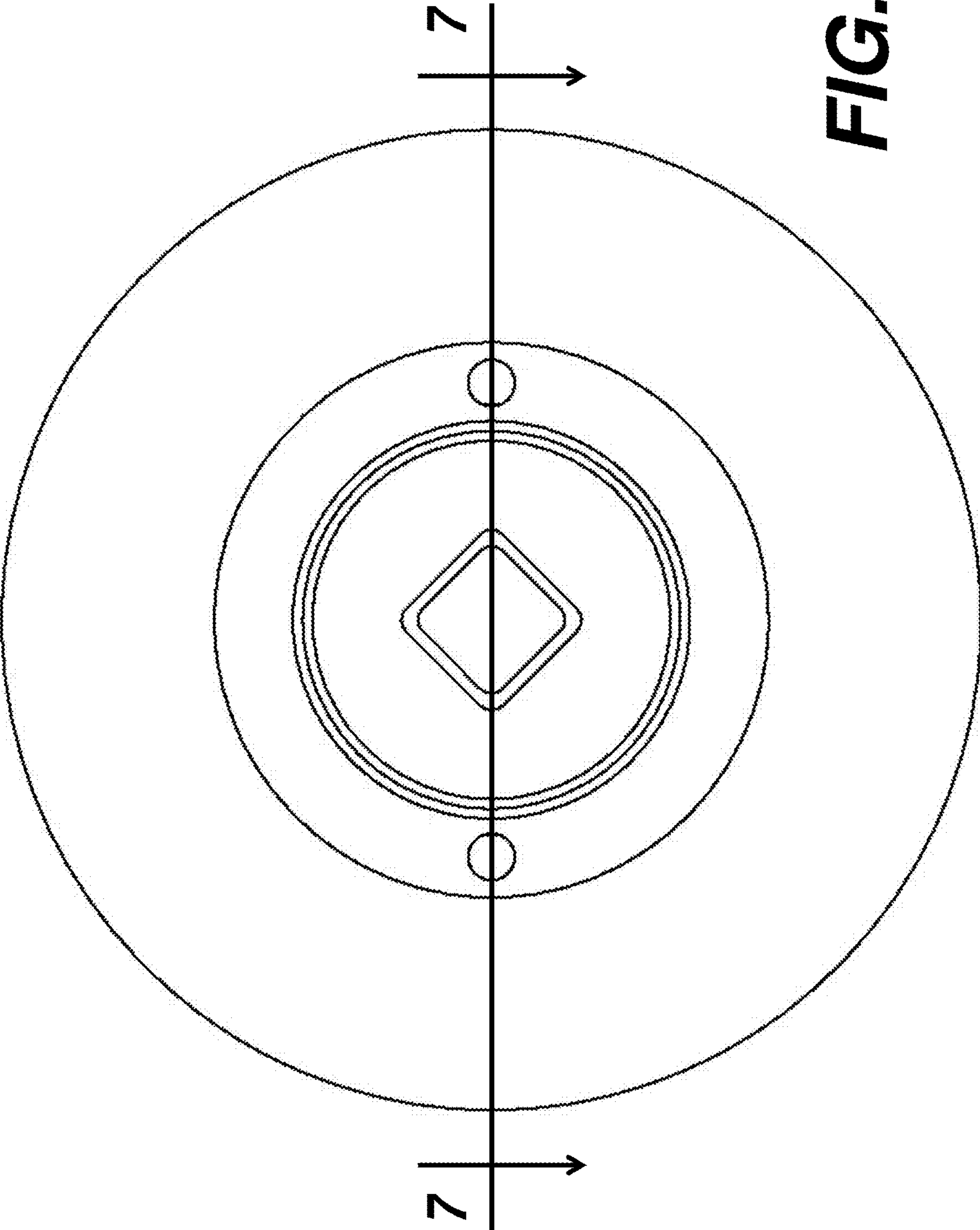


FIG. 3

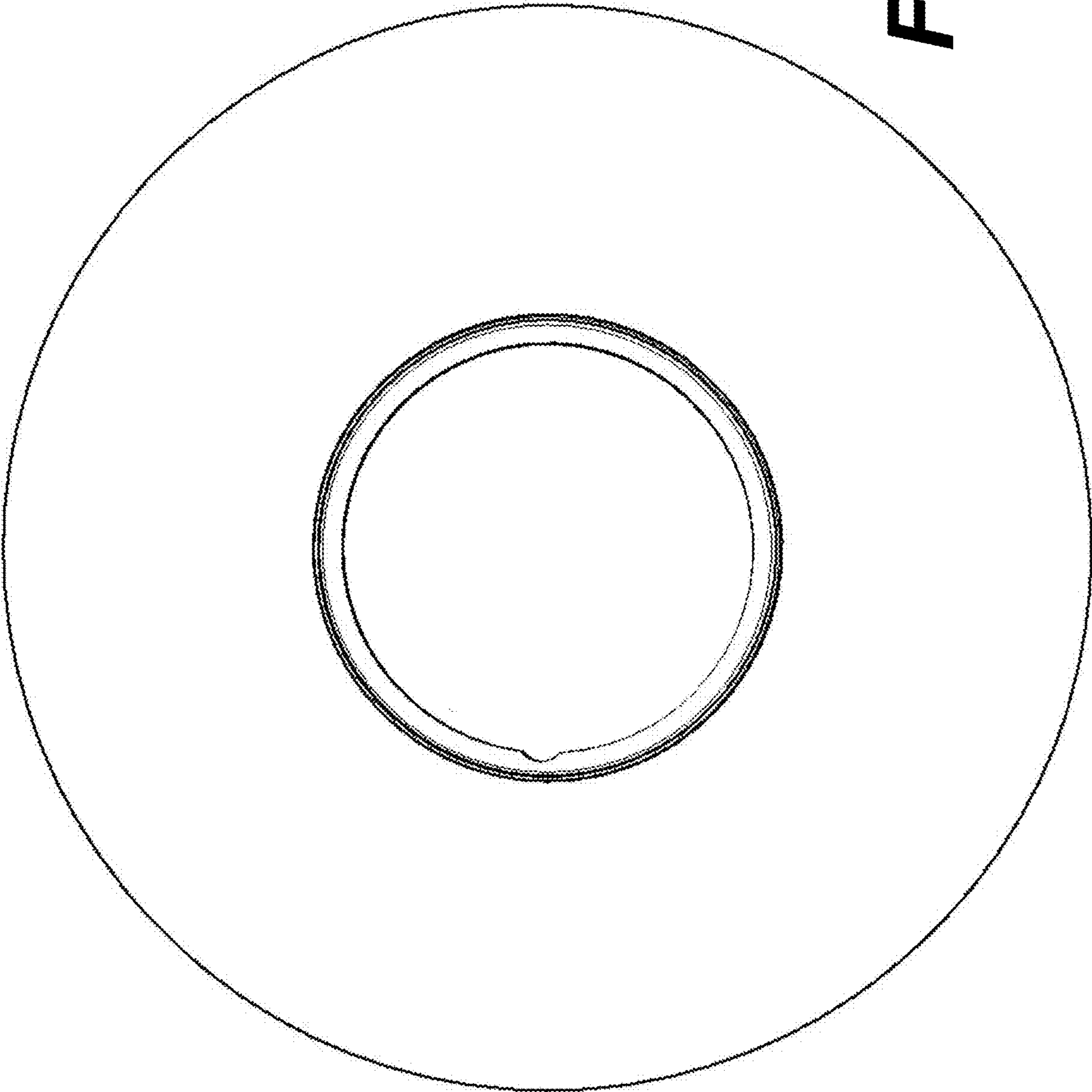


FIG. 4

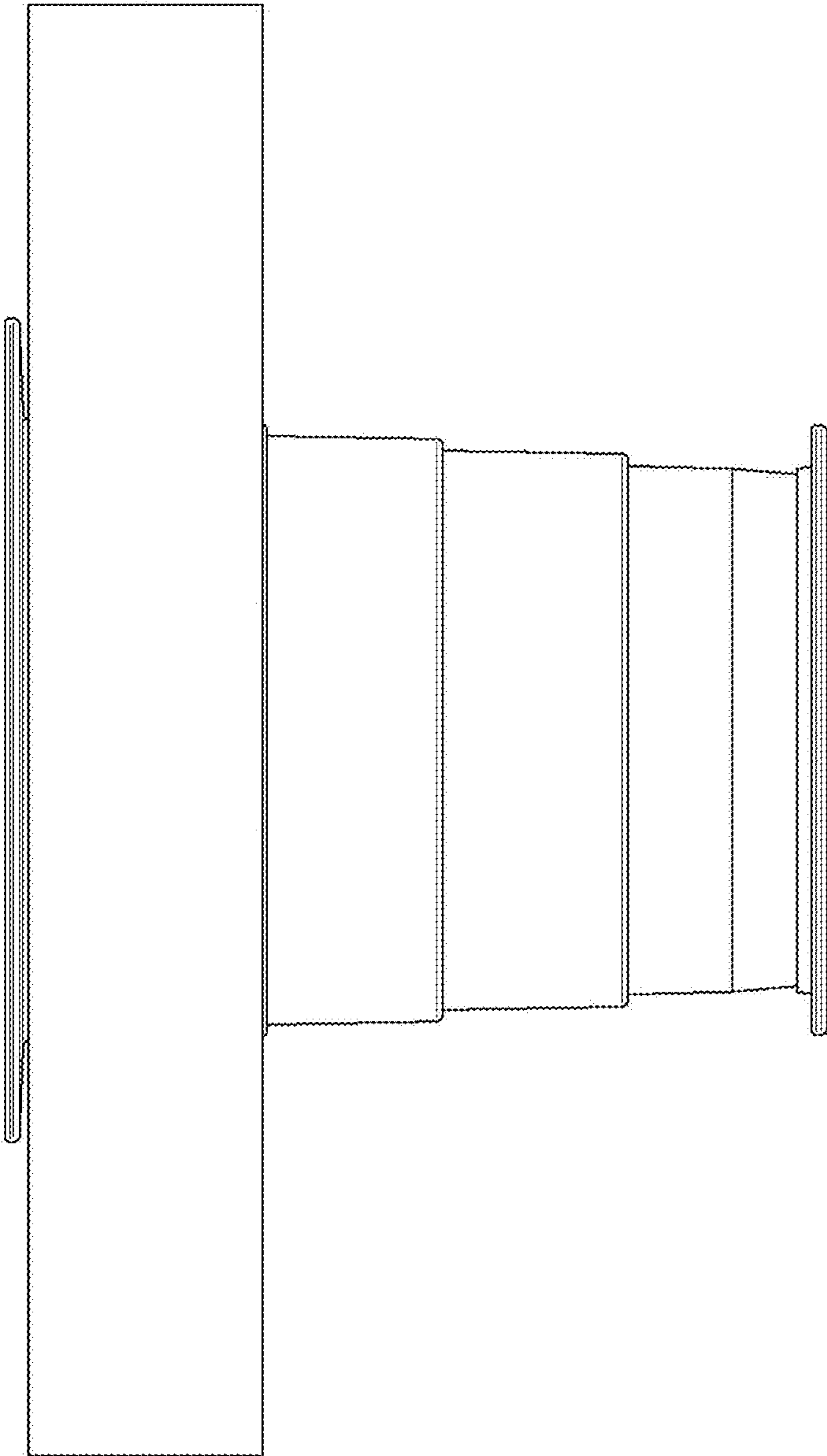


FIG. 5

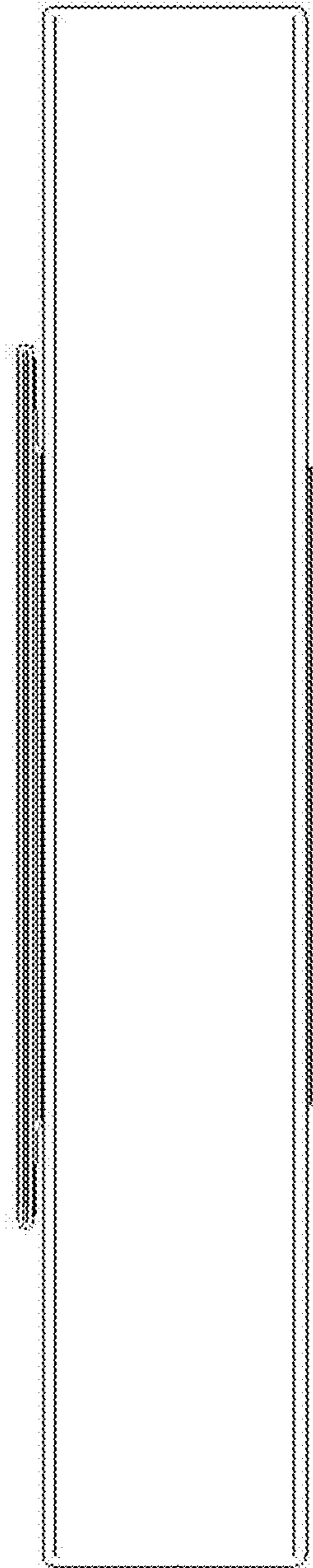


FIG. 6

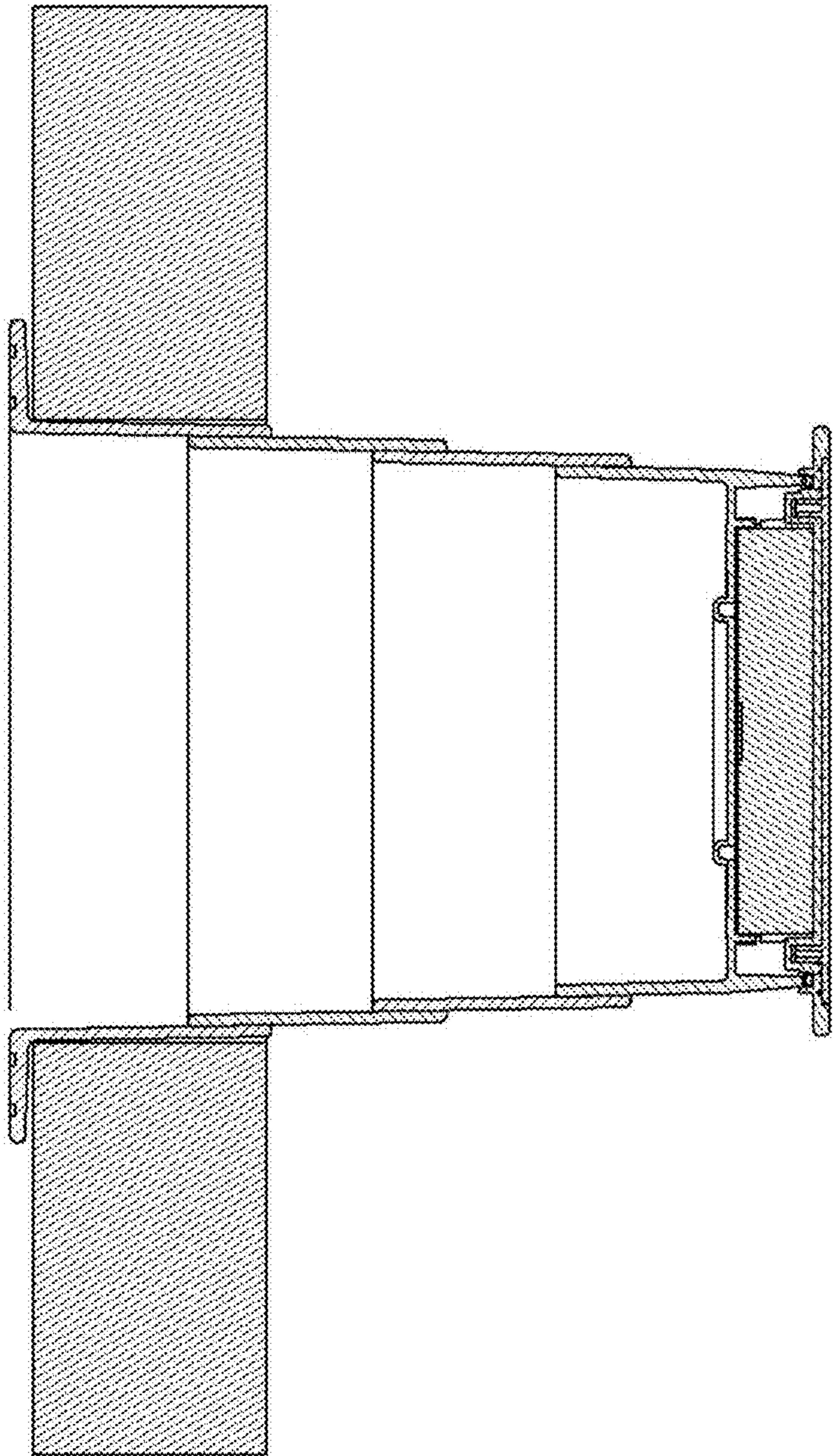


FIG. 7