



US00D945222S

(12) **United States Design Patent** (10) **Patent No.:** **US D945,222 S**
Schelin (45) **Date of Patent:** **** Mar. 8, 2022**

(54) **WOODEN BREAD BOX**
(71) Applicant: **Apac EZ Solutions Limited**, Kowloon (HK)
(72) Inventor: **Alexander Schelin**, Kowloon (HK)
(**) Term: **15 Years**
(21) Appl. No.: **29/772,637**

D594,254 S * 6/2009 Mori D6/661
D644,839 S * 9/2011 Pitts D3/295
D649,407 S 11/2011 Neuhaus
D664,790 S * 8/2012 Christopher D6/670
D718,052 S * 11/2014 Costanzo D3/297
D734,644 S 7/2015 Bodum
D882,344 S 4/2020 Lin
2015/0096225 A1* 4/2015 Gervais A01G 9/16
47/17
2016/0029574 A1* 2/2016 He A01G 9/249
700/276

(22) Filed: **Mar. 3, 2021**
(51) **LOC (13) Cl.** **07-07**
(52) **U.S. Cl.**
USPC **D7/609**
(58) **Field of Classification Search**
USPC D7/601, 602, 609, 629; D6/657, 661,
D6/663, 664, 669, 670, 672, 675, 675.4;
D15/79, 81
CPC .. B65D 1/22; B65D 81/3813; B65D 2581/00;
B65D 2581/3405; B65D 2581/3406
See application file for complete search history.

OTHER PUBLICATIONS

Arise Bamboo Bread Box | posted at Amazon.com, posted on Feb. 12, 2014, © 1996-2022 Amazon.com, [online], [site visited Jun. 5, 2020]. Available from Internet, <URL: <https://www.amazon.com/Stylish-Kitchen-Countertop-Fresh-15-7-Assembly/dp/B08Y2KZ9DL/>> (Year: 2021).*

* cited by examiner

Primary Examiner — Andrew Kerr
(74) *Attorney, Agent, or Firm* — Rumit Ranjit Kanakia

(56) **References Cited**

U.S. PATENT DOCUMENTS

D116,229 S * 8/1939 Garten D7/609
2,319,433 A * 5/1943 Phillips A47F 3/0404
312/116
D161,771 S * 1/1951 Lumley D7/609
D264,031 S * 4/1982 Sorensen D6/661.2
D291,644 S * 9/1987 Osborn D6/670
D304,133 S * 10/1989 Casselman D6/672
D332,332 S * 1/1993 Markey D34/1
5,433,140 A * 7/1995 Ogee A47J 47/12
312/71
D369,523 S * 5/1996 Olson D6/522
D371,918 S * 7/1996 Brunner D6/670
D397,826 S * 9/1998 McDiarmid D19/81
D480,594 S 10/2003 Ancona et al.
D484,752 S 1/2004 Verbeek
D498,616 S * 11/2004 Hohler D6/661.3
D560,978 S 2/2008 Daams

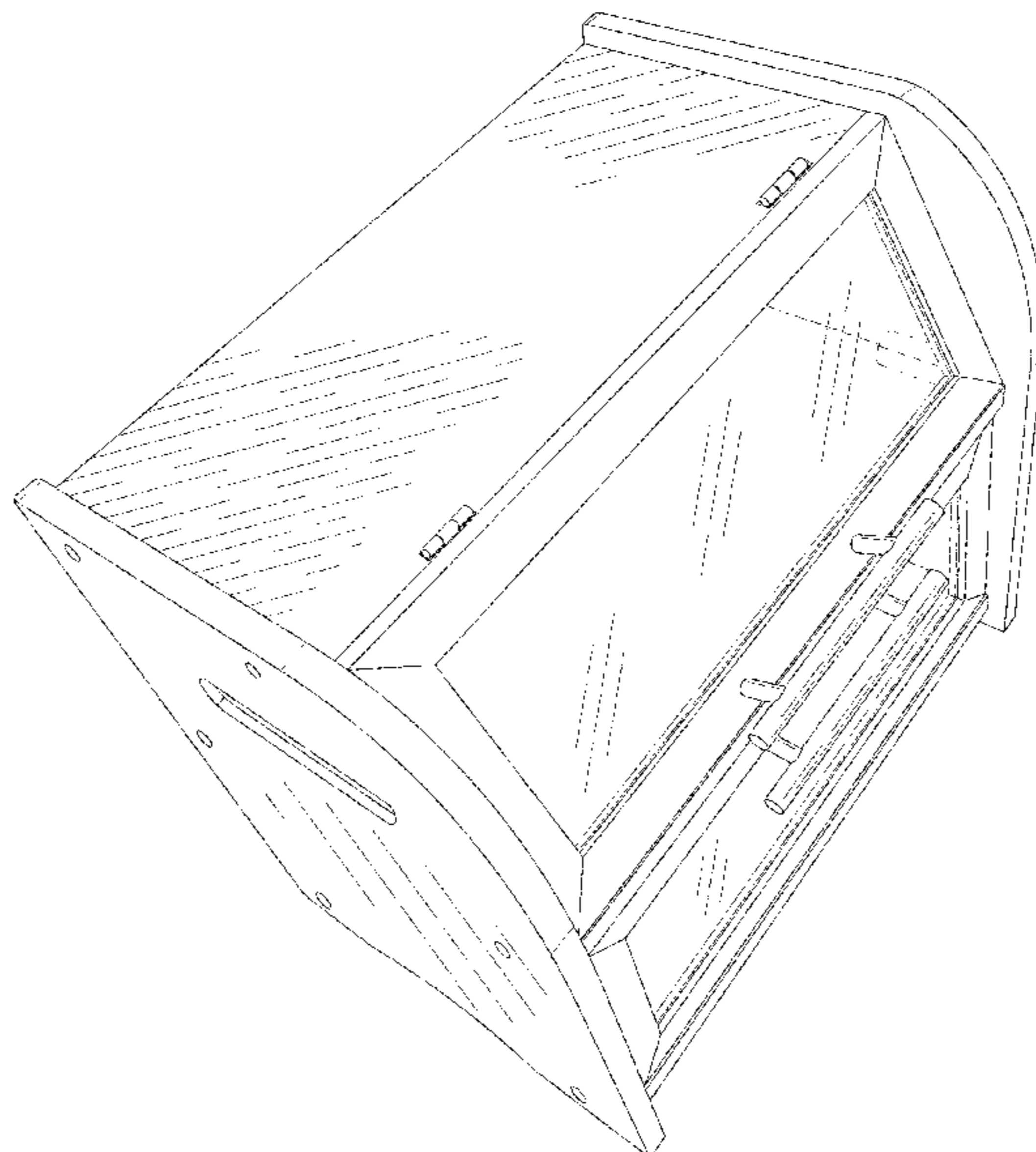
(57) **CLAIM**

I claim the ornamental design for a wooden bread box, as shown and described.

DESCRIPTION

FIG. 1 is a Perspective view of a wooden bread box showing my new design;
FIG. 2 is a Front view thereof;
FIG. 3 is a Back view thereof;
FIG. 4 is a Left-side view thereof;
FIG. 5 is a Right-side view thereof;
FIG. 6 is a Top view thereof; and,
FIG. 7 is a Bottom view thereof.
The broken lines in the drawings depict portions of the wooden bread box that form no part of the claimed design.

1 Claim, 7 Drawing Sheets



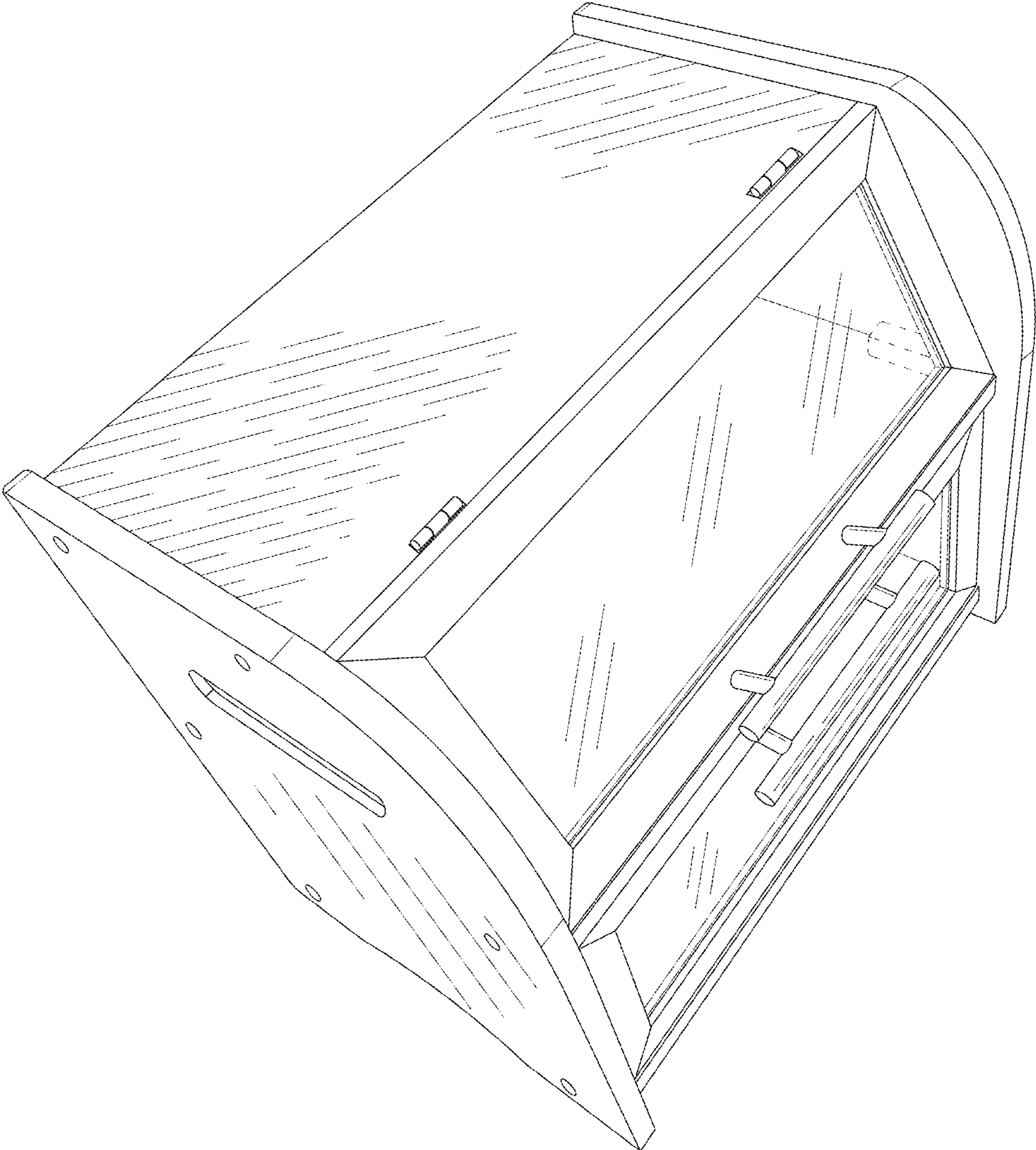


FIG. 1

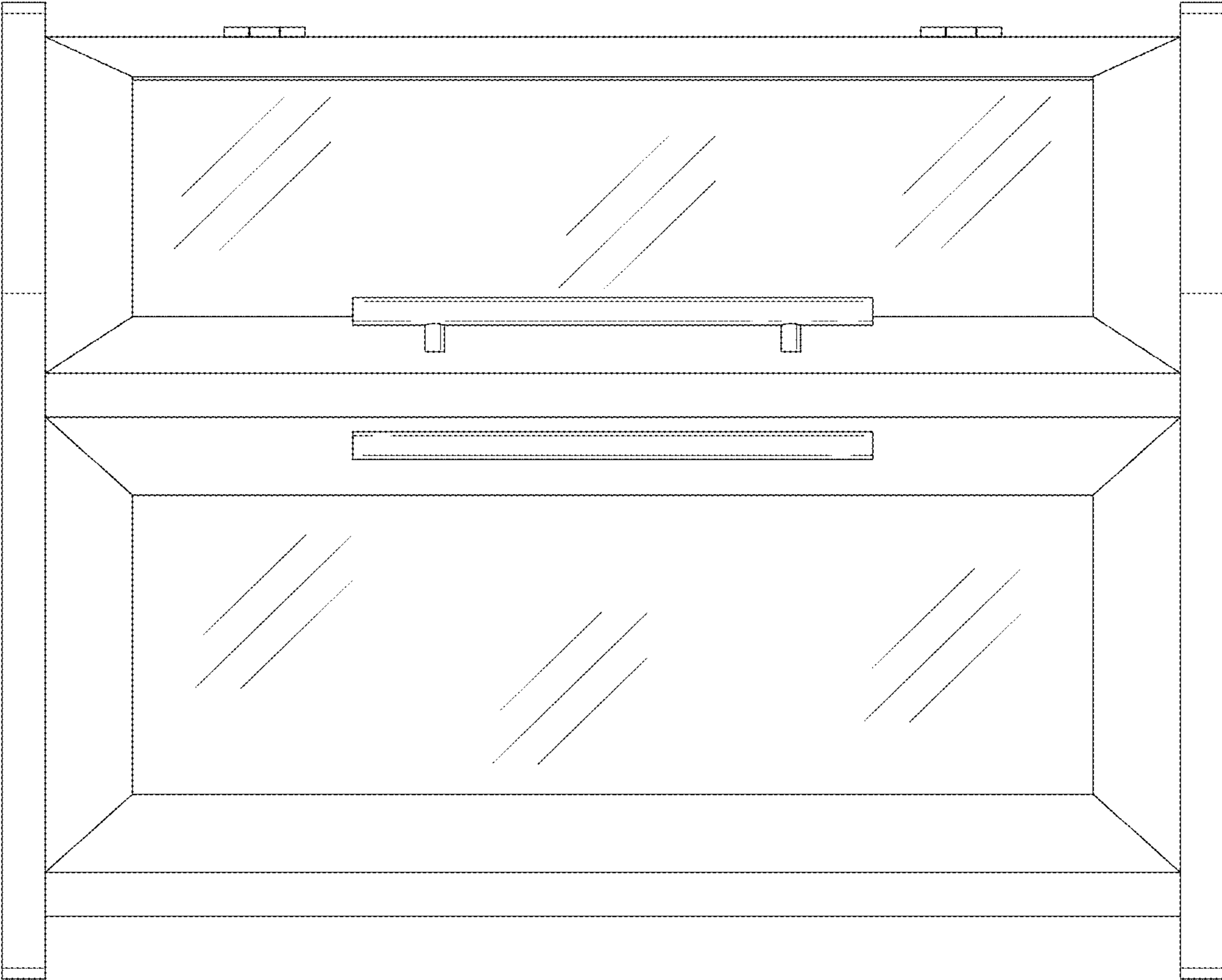


FIG. 2

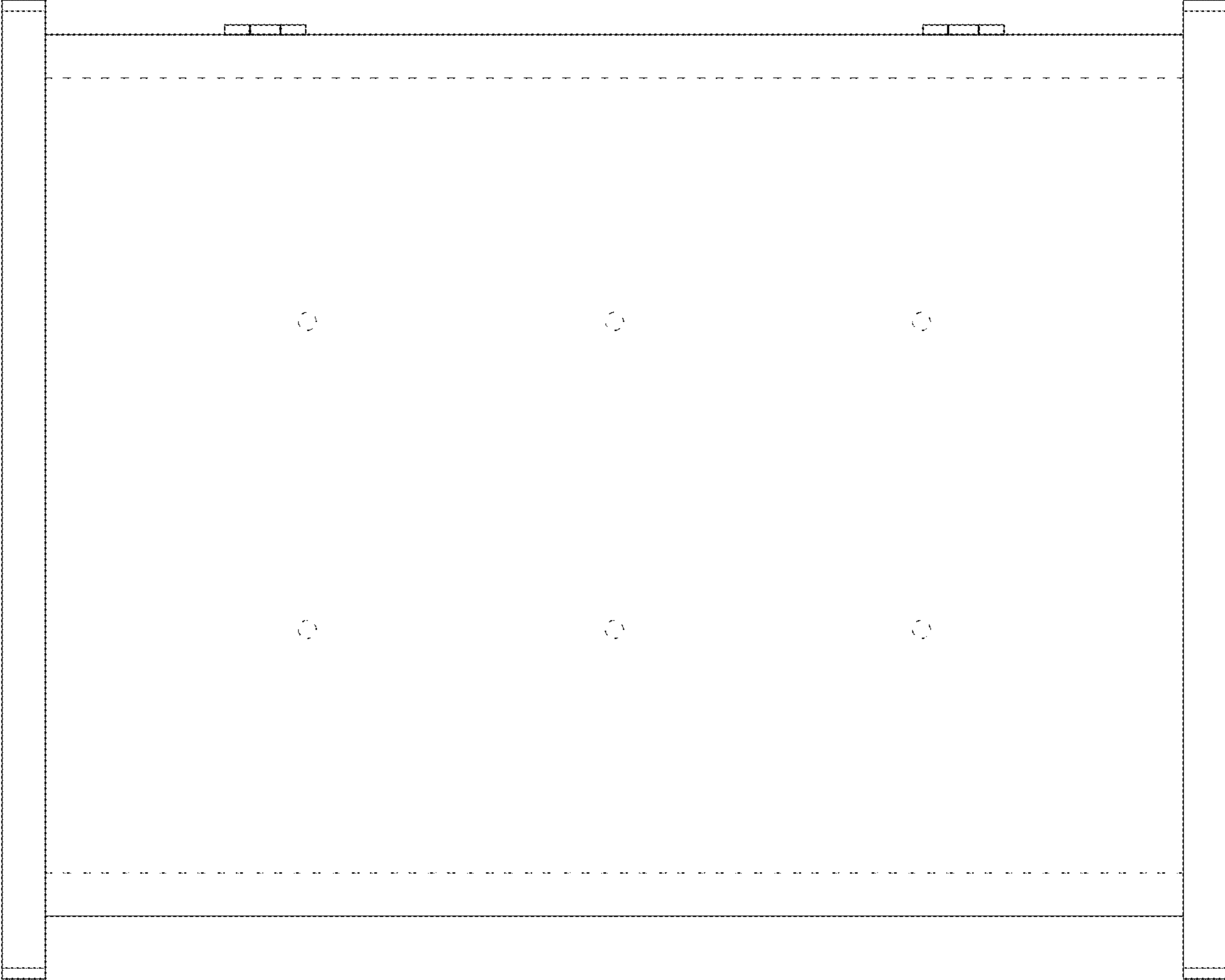


FIG. 3

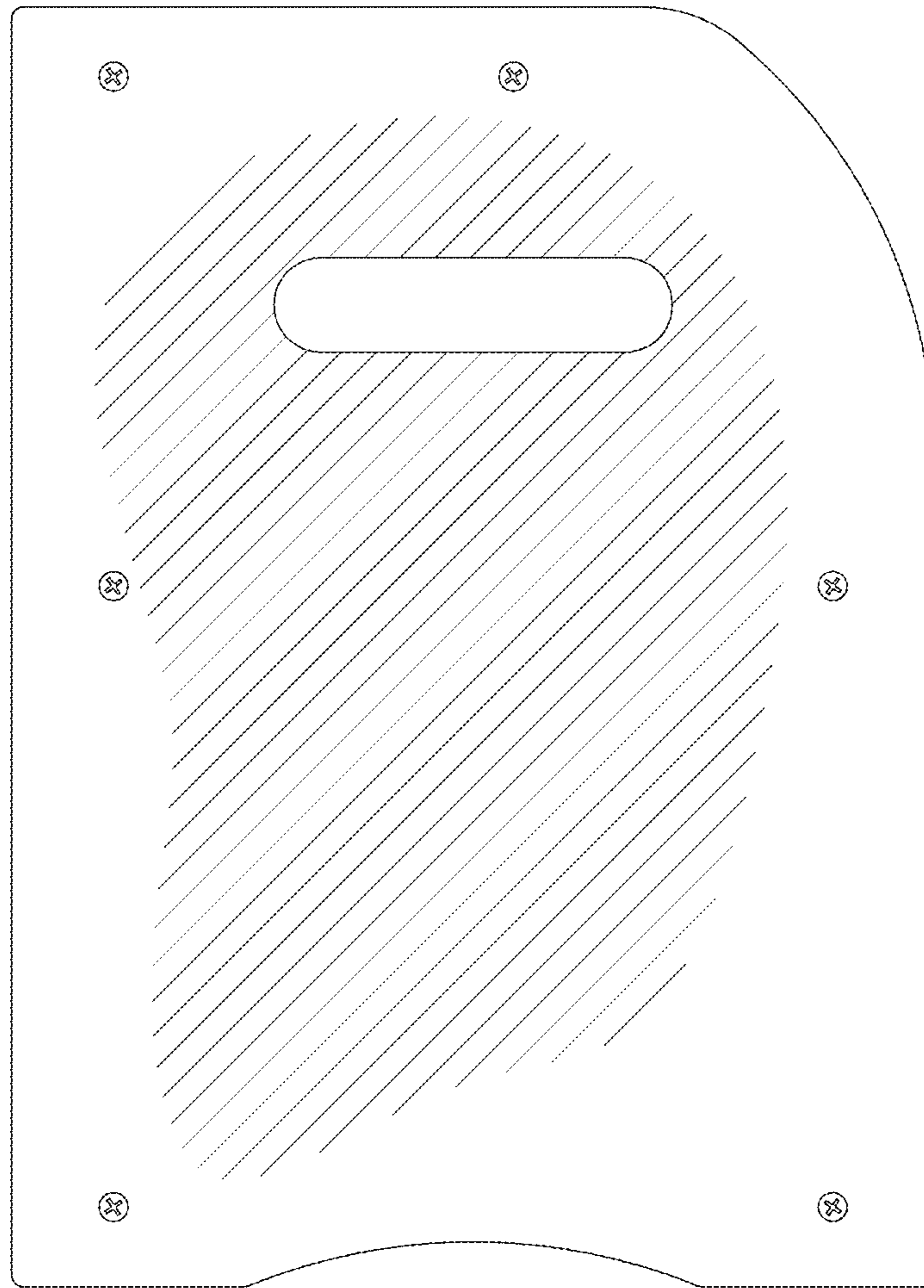


FIG. 4

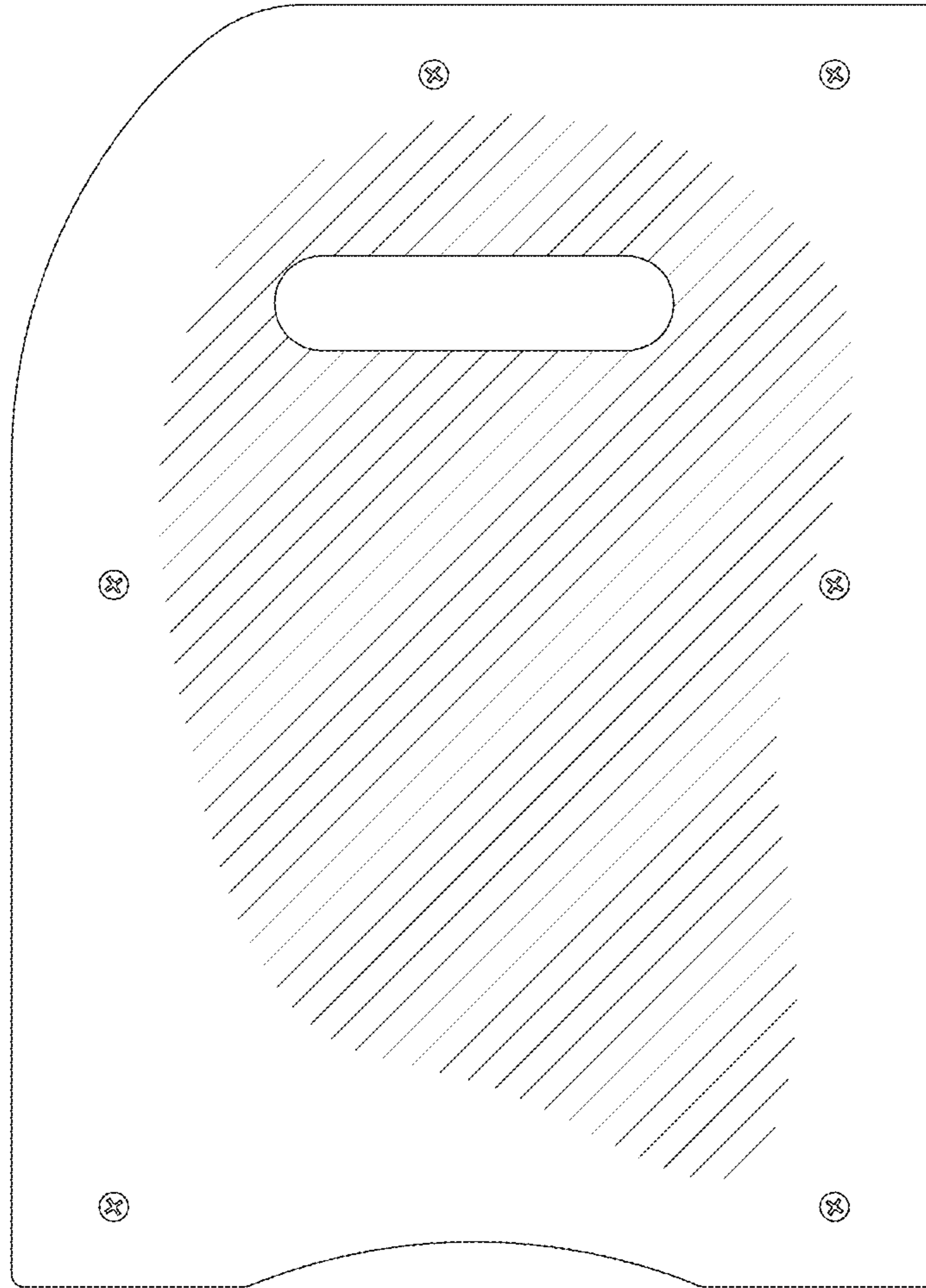


FIG. 5

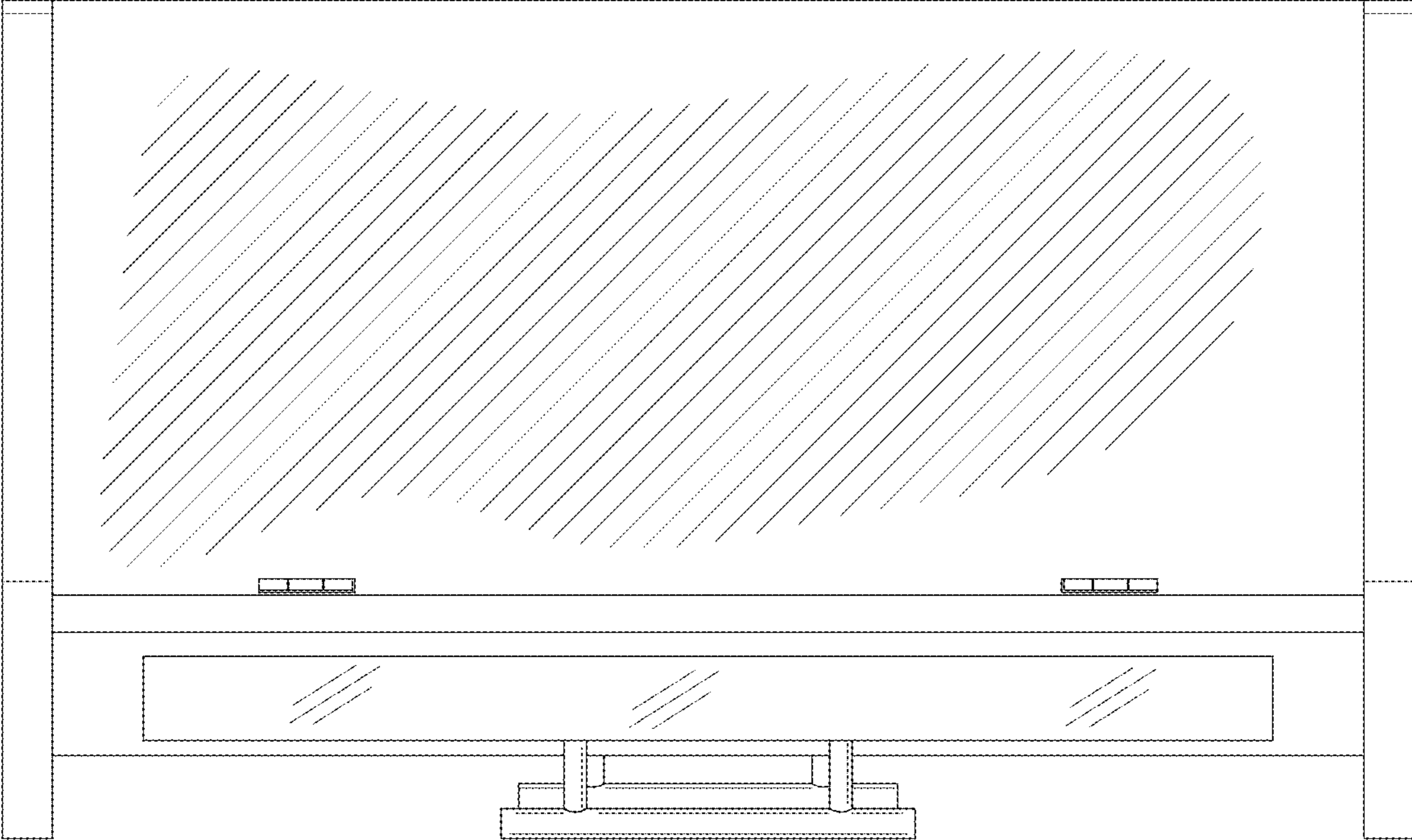


FIG. 6

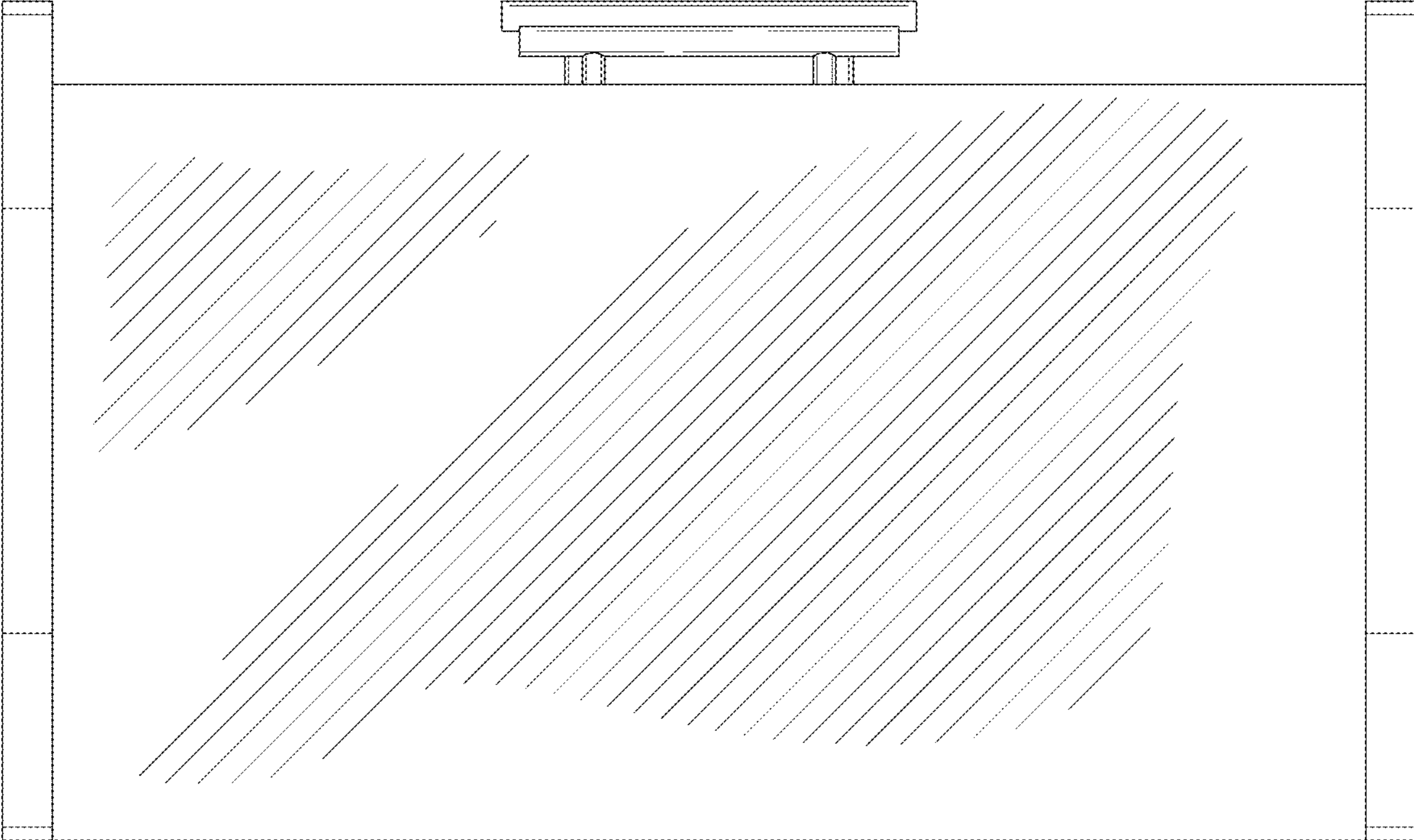


FIG. 7