



US00D945220S

(12) **United States Design Patent** (10) **Patent No.:** **US D945,220 S**
Petersson et al. (45) **Date of Patent:** **** *Mar. 8, 2022**

(54) **TUMBLER**
(71) Applicant: **LOCK & LOCK CO., LTD.**,
Chungcheongnam-do (KR)
(72) Inventors: **Patrik Tommy Petersson**, San
Francisco, CA (US); **Pablo Velazquez**
Hernandez, San Francisco, CA (US);
Daniel Sunghwe Kim, Seoul (KR);
Junggi Sung, Seoul (KR); **David Lee**,
Seoul (KR)
(73) Assignee: **LOCK & LOCK CO., LTD.**,
Chungcheongnam-Do (KR)
(*) Notice: This patent is subject to a terminal dis-
claimer.
(**) Term: **15 Years**
(21) Appl. No.: **29/706,552**
(22) Filed: **Sep. 20, 2019**
(51) **LOC (13) Cl.** **07-01**
(52) **U.S. Cl.**
USPC **D7/511; D7/523**
(58) **Field of Classification Search**
USPC D7/507, 509, 510, 511, 513, 529, 531,
D7/532, 523, 533, 534, 535, 536, 392.1,
D7/296.1, 396.2, 300.1, 608, 300, 320,
D7/624.1, 624.2; D3/202; D9/501, 502,
D9/503, 504, 530, 529, 522, 554, 567,
D9/571, 569, 449, 516, 523, 524, 543,
D9/565, 575, 556
CPC A47G 19/22; A47G 19/2288; A47G
19/2205; A47G 19/2211; A47J 41/0077;
A45F 3/16
See application file for complete search history.

(56) **References Cited**
U.S. PATENT DOCUMENTS

D733,382 S * 6/2015 Bos D32/75
D740,073 S * 10/2015 Zorovich D7/531

D786,012 S * 5/2017 Hein D7/396.2
D799,900 S * 10/2017 Santos D7/510
D806,468 S * 1/2018 Goodwin D7/392.1
D812,428 S * 3/2018 Wu D7/510
D819,403 S * 6/2018 Li D7/510
D832,651 S * 11/2018 Wiet D7/511
D846,355 S * 4/2019 Pisarevsky D7/511
D849,482 S * 5/2019 Diener D7/510
D851,996 S * 6/2019 Umholtz D7/511
D872,522 S * 1/2020 Diener D7/392.1
D885,823 S * 6/2020 Ayres D7/392
D901,976 S * 11/2020 Sibbert D7/511
D911,771 S * 3/2021 Zhang D7/392.1
D923,406 S * 6/2021 Tsigounis D7/507
D930,436 S * 9/2021 Papparao D7/510

(Continued)

OTHER PUBLICATIONS

https://www.amazon.com/dp/B07ZX1SVXB/ref=cm_sw_em_r_mt_dp_HWDG2RDD5ATRSJ6AA6AZ?_encoding=UTF8&psc=1 (Year : 2019).*

Primary Examiner — Jae Liang
(74) *Attorney, Agent, or Firm* — Duane Morris LLP

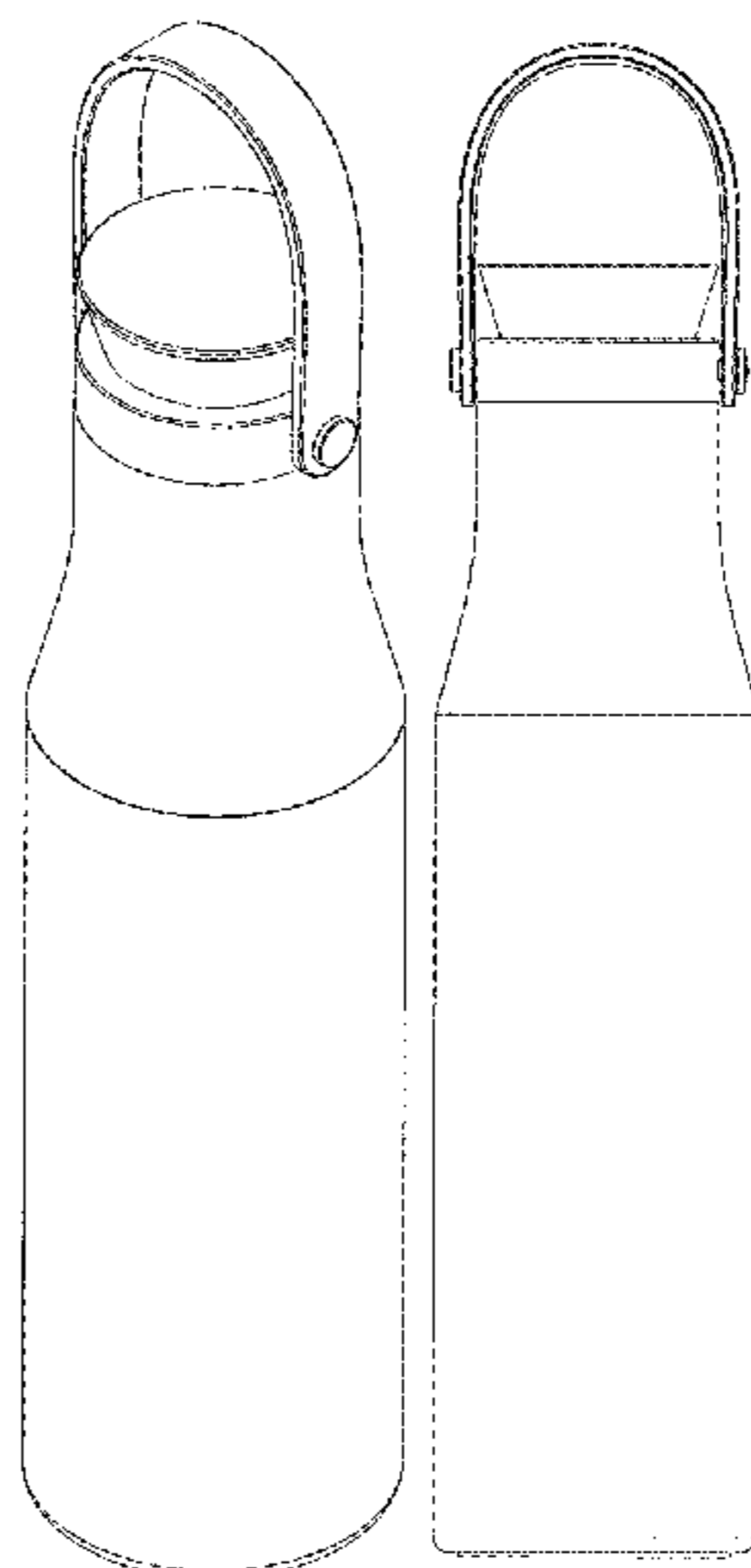
(57) **CLAIM**

The ornamental design for a tumbler, as shown and described.

DESCRIPTION

FIG. 1 is a top, front, right perspective view of the tumbler; FIG. 2 is a front view of the tumbler; FIG. 3 is a rear view of the tumbler; FIG. 4 is a left side view of the tumbler; FIG. 5 is a right side view of the tumbler; FIG. 6 is a top view of the tumbler; and, FIG. 7 is a bottom view of the tumbler. The wire frame lines shown throughout the views are intended to indicate surface contour and are not intended to be surface ornamentation.

1 Claim, 6 Drawing Sheets



(56)

References Cited

U.S. PATENT DOCUMENTS

D931,060 S * 9/2021 Volkoff D7/608
D931,687 S * 9/2021 Volkoff D7/608
2016/0318693 A1* 11/2016 Hein B65D 51/242

* cited by examiner

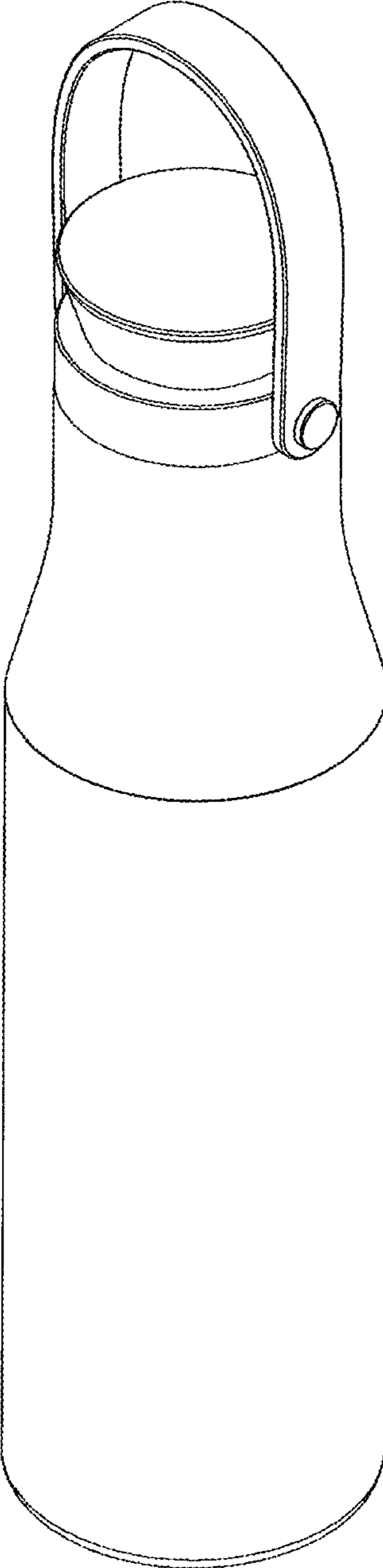


FIG. 1

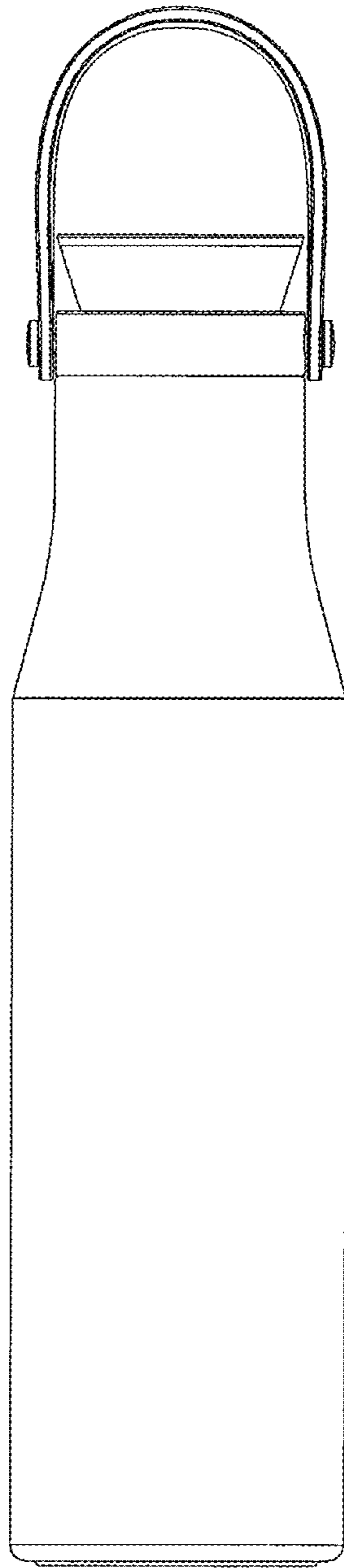


FIG. 2

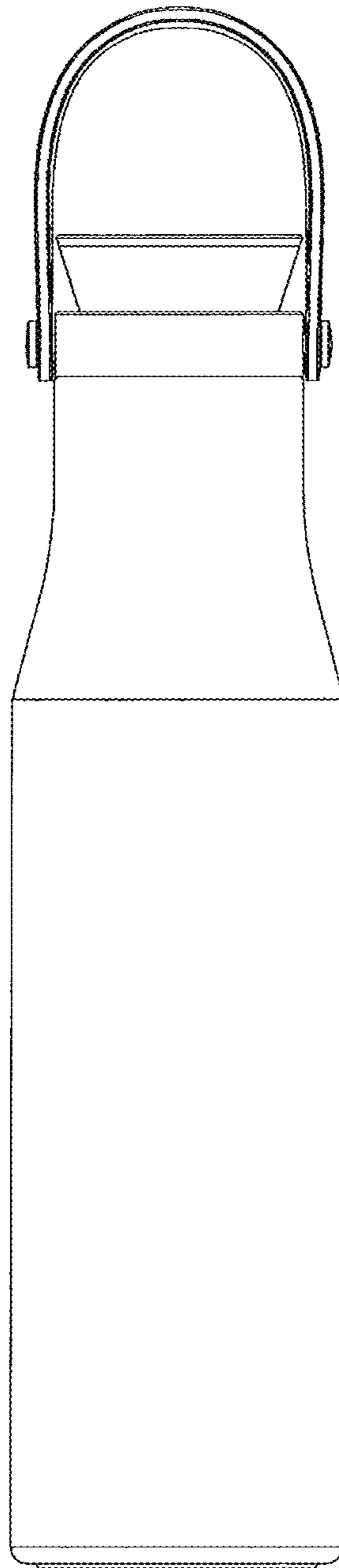


FIG. 3

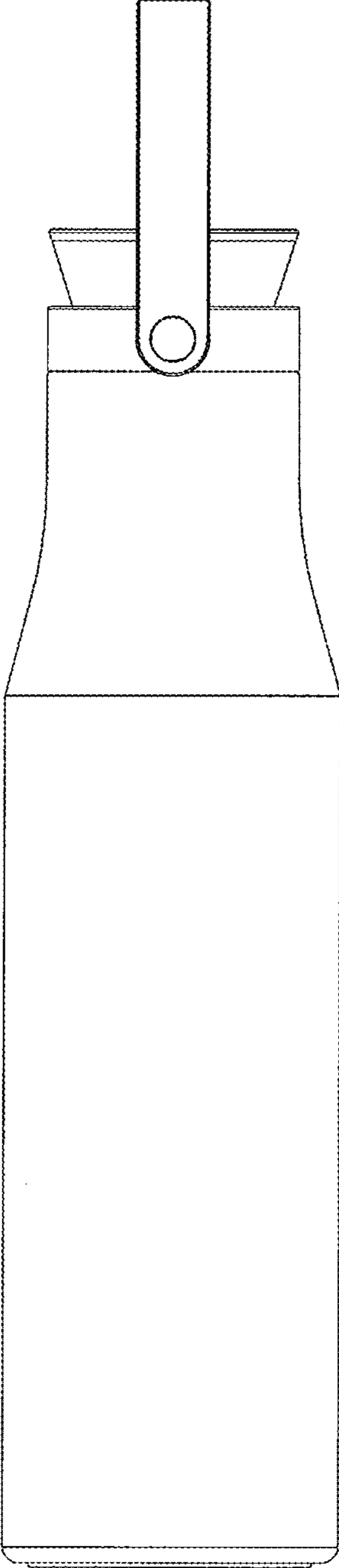


FIG. 4

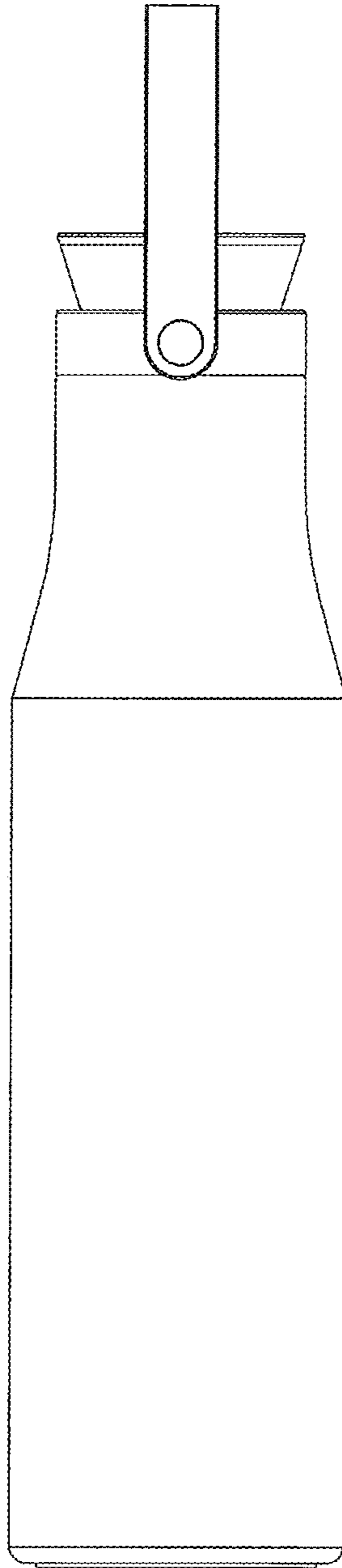


FIG. 5

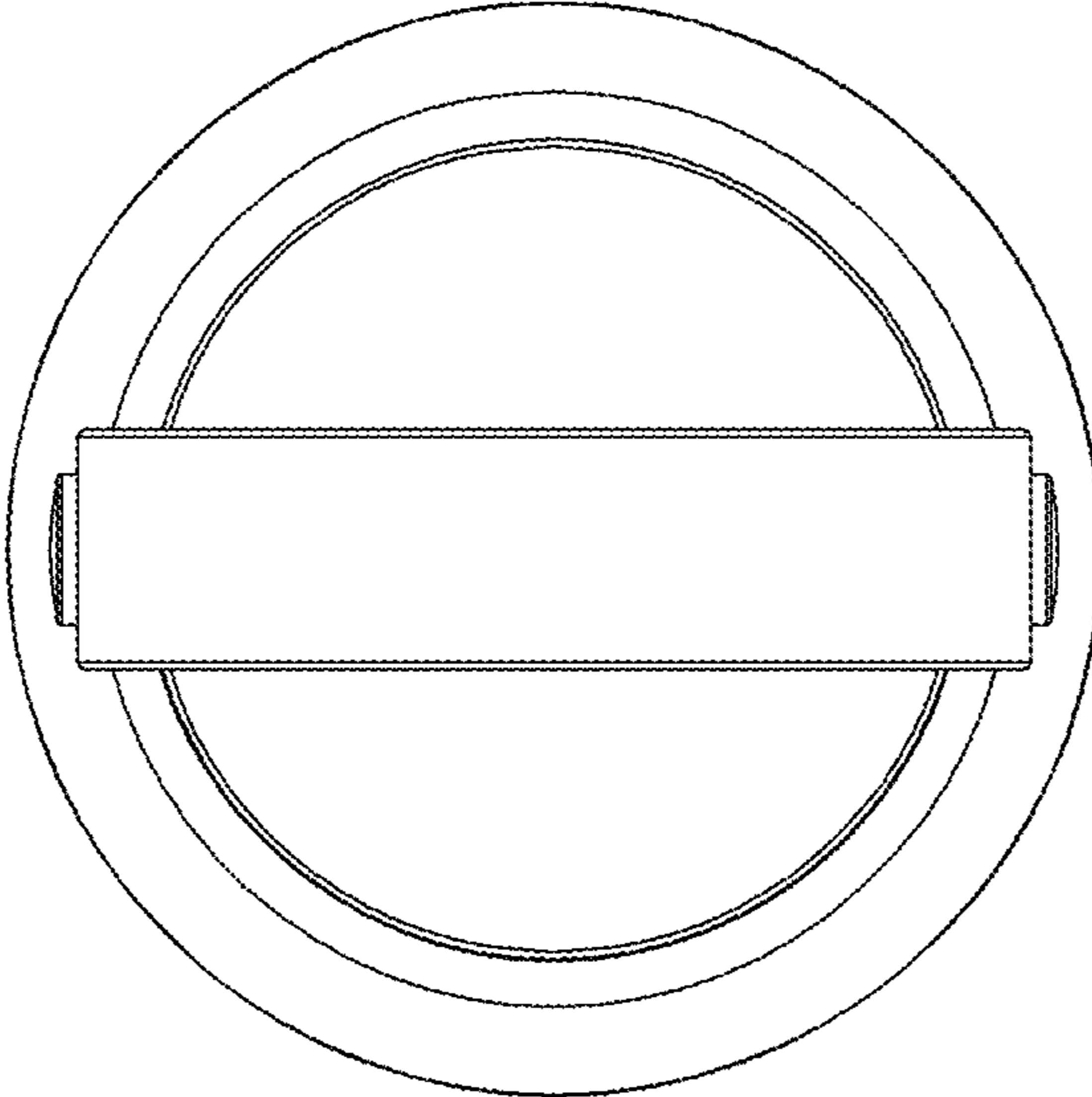


FIG. 6

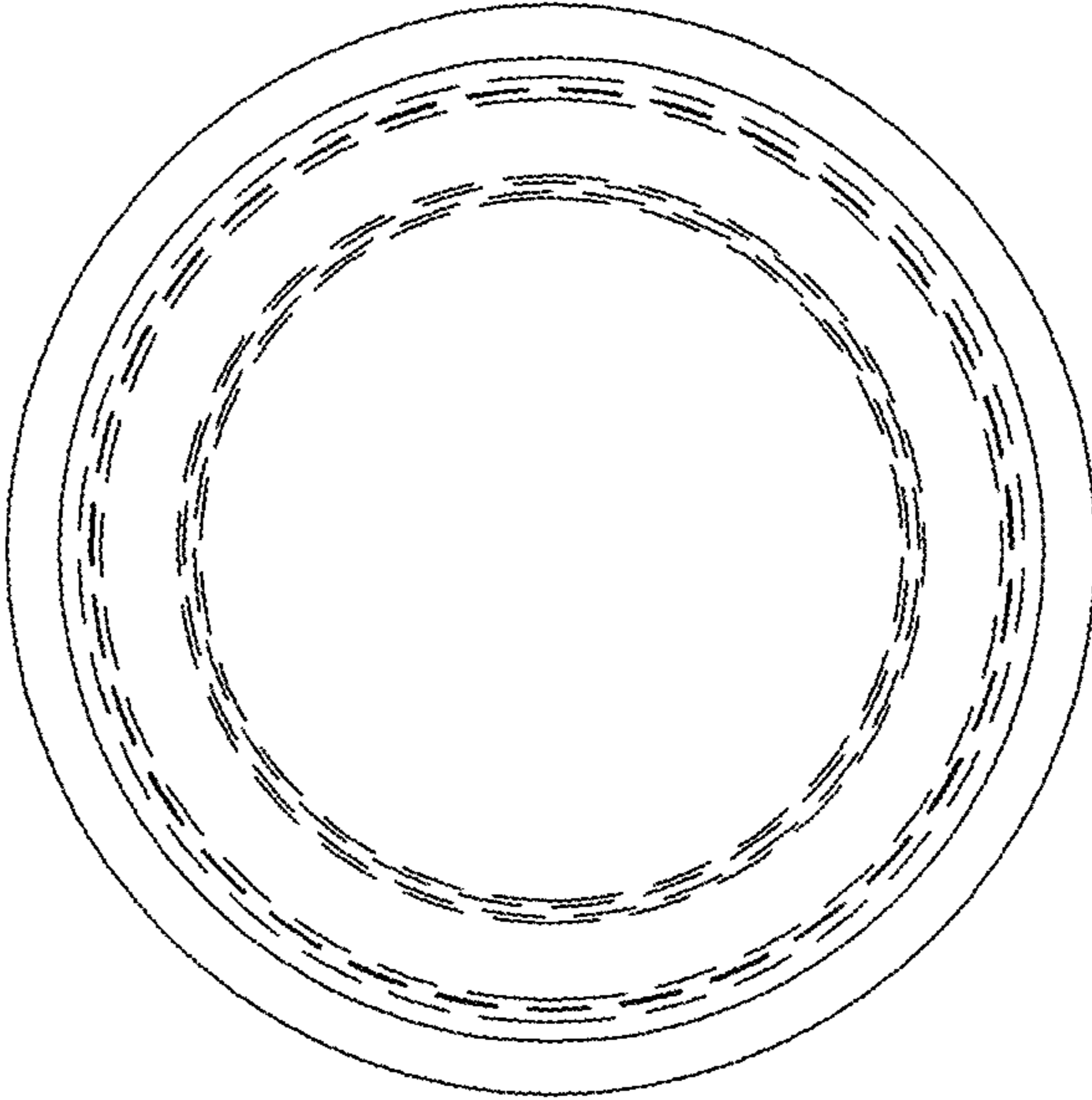


FIG. 7