



US00D945219S

(12) **United States Design Patent** (10) **Patent No.:** **US D945,219 S**  
**Petersson et al.** (45) **Date of Patent:** **\*\* \*Mar. 8, 2022**

- (54) **TUMBLER**
- (71) Applicant: **LOCK & LOCK CO., LTD,**  
Chungcheongnam-do (KR)
- (72) Inventors: **Patrik Tommy Petersson,** San Francisco, CA (US); **Pablo Velazquez Hernandez,** San Francisco, CA (US); **Daniel Sunghwe Kim,** Seoul (KR); **Junggi Sung,** Seoul (KR); **David Lee,** Seoul (KR)
- (73) Assignee: **LOCK & LOCK CO., LTD.,**  
Chungcheongnam-Do (KR)
- (\*) Notice: This patent is subject to a terminal disclaimer.
- (\*\*) Term: **15 Years**
- (21) Appl. No.: **29/706,541**
- (22) Filed: **Sep. 20, 2019**
- (51) **LOC (13) Cl.** ..... **07-01**
- (52) **U.S. Cl.**  
USPC ..... **D7/511; D7/523**
- (58) **Field of Classification Search**  
USPC ..... D7/507, 509, 510, 511, 513, 529, 531, D7/532, 523, 533, 534, 535, 536, 392.1, D7/296.1, 396.2, 300.1, 608, 300, 320, D7/624.1, 624.2; D3/202; D9/501, 502, D9/503, 504, 530, 529, 522, 554, 567, D9/571, 569, 449, 516, 523, 524, 543, D9/565, 575, 556  
CPC ..... A47G 19/22; A47G 19/2288; A47G 19/2205; A47G 19/2211; A47J 41/0077; A45F 3/16  
See application file for complete search history.

- D786,012 S \* 5/2017 Hein ..... D7/396.2
- D799,900 S \* 10/2017 Santos ..... D7/510
- D806,468 S \* 1/2018 Goodwin ..... D7/392.1
- D812,428 S \* 3/2018 Wu ..... D7/510
- D819,403 S \* 6/2018 Li ..... D7/510
- D832,651 S \* 11/2018 Wiet ..... D7/511
- D846,355 S \* 4/2019 Pisarevsky ..... D7/511
- D849,482 S \* 5/2019 Diener ..... D7/510
- D851,996 S \* 6/2019 Umholtz ..... D7/511
- D872,522 S \* 1/2020 Diener ..... D7/392.1
- D885,823 S \* 6/2020 Ayres ..... D7/392
- D901,976 S \* 11/2020 Sibbert ..... D7/511
- D911,771 S \* 3/2021 Zhang ..... D7/392.1

(Continued)

**OTHER PUBLICATIONS**

[https://www.amazon.com/dp/B0186NOIZK/ref=cm\\_sw\\_em\\_r\\_mt\\_dp\\_C3Q62D5RDDXCYCW2TVPB?\\_encoding=UTF8&psc=1](https://www.amazon.com/dp/B0186NOIZK/ref=cm_sw_em_r_mt_dp_C3Q62D5RDDXCYCW2TVPB?_encoding=UTF8&psc=1) (Year: 2018).\*

(Continued)

*Primary Examiner* — Jae Liang  
(74) *Attorney, Agent, or Firm* — Duane Morris LLP

(57) **CLAIM**

The ornamental design for a tumbler, as shown and described.

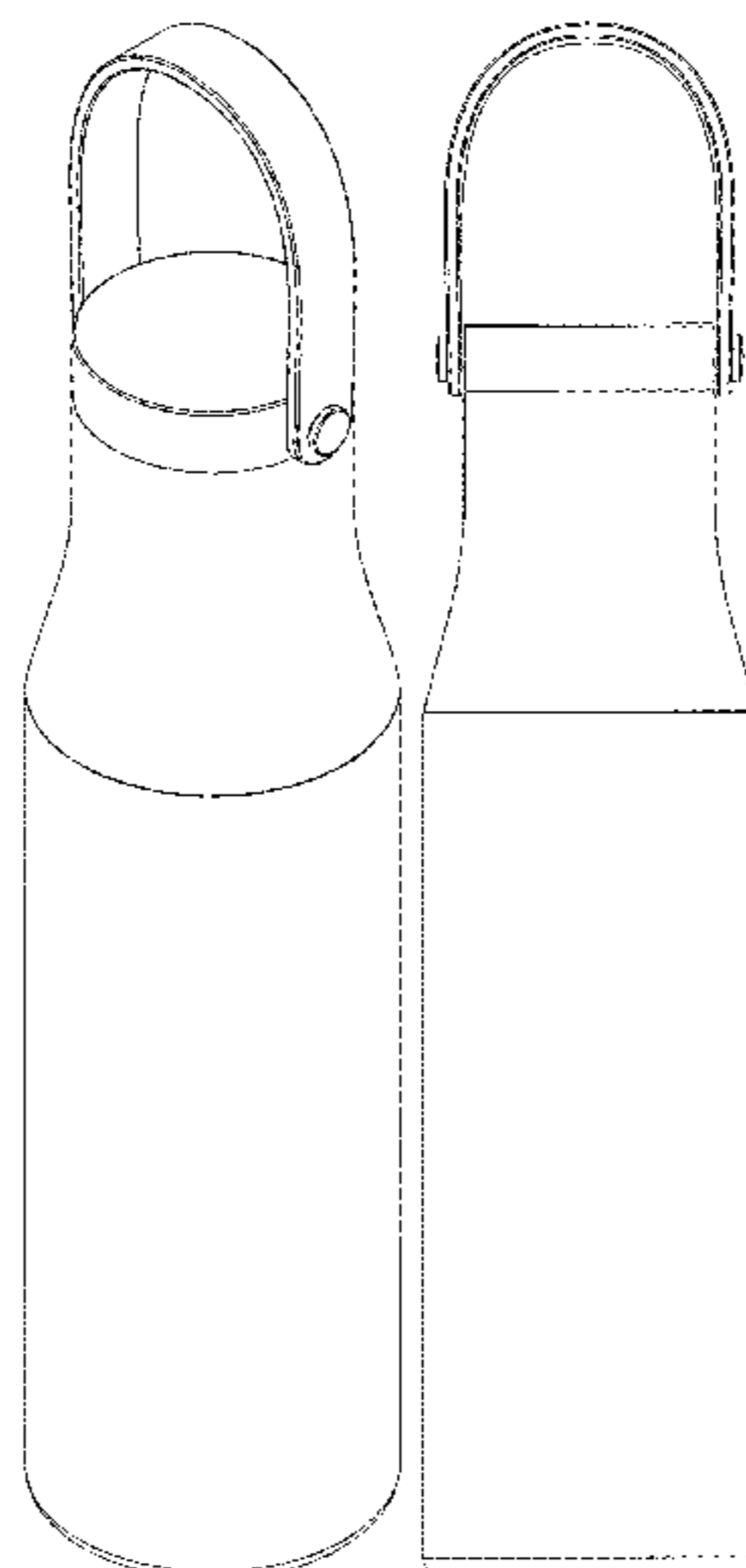
**DESCRIPTION**

FIG. 1 is a top, front, right perspective view of the tumbler; FIG. 2 is a front view of the tumbler; FIG. 3 is a rear view of the tumbler; FIG. 4 is a left side view of the tumbler; FIG. 5 is a right side view of the tumbler; FIG. 6 is a top view of the tumbler; and, FIG. 7 is a bottom view of the tumbler. The wire frame lines shown throughout the views are intended to indicate surface contour and are not intended to be surface ornamentation.

**1 Claim, 6 Drawing Sheets**

(56) **References Cited**  
U.S. PATENT DOCUMENTS

- D733,382 S \* 6/2015 Bos ..... D32/75
- D740,073 S \* 10/2015 Zorovich ..... D7/531



(56)

**References Cited**

U.S. PATENT DOCUMENTS

D923,406 S \* 6/2021 Tsigounis ..... D7/507  
D930,436 S \* 9/2021 Paparao ..... D7/510  
D931,060 S \* 9/2021 Volkoff ..... D7/608  
D931,687 S \* 9/2021 Volkoff ..... D7/608  
2016/0318693 A1 \* 11/2016 Hein ..... B65D 51/242

OTHER PUBLICATIONS

<https://www.amazon.com/Hydro-Flask-Lightweight-Trail-Bottle/dp/B09BC2R13G> (Year: 2021).\*

\* cited by examiner

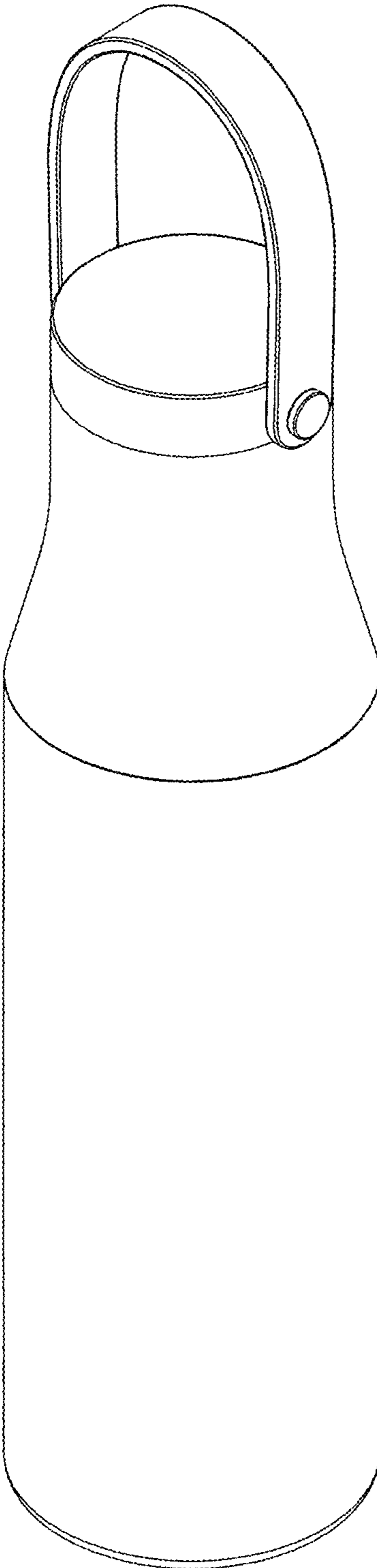


FIG. 1

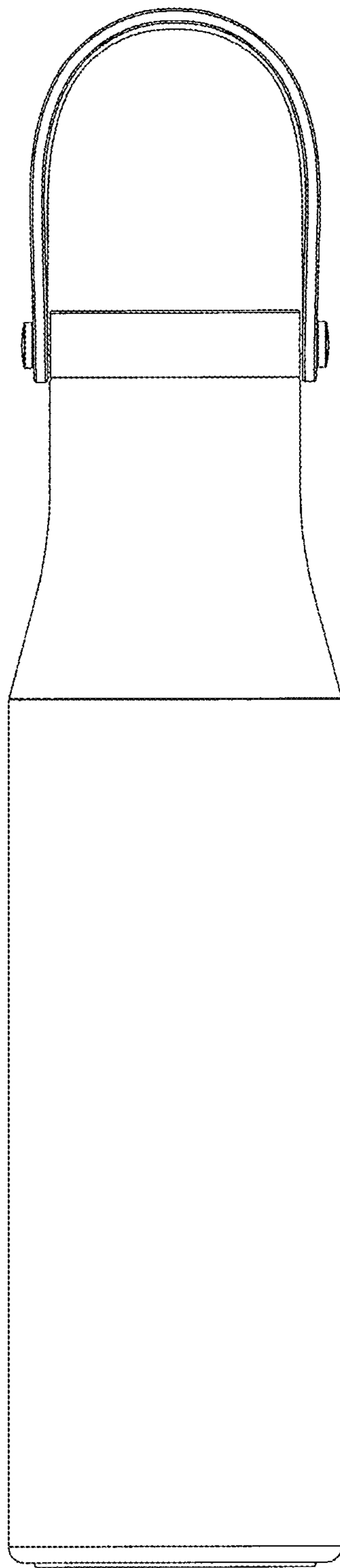


FIG. 2

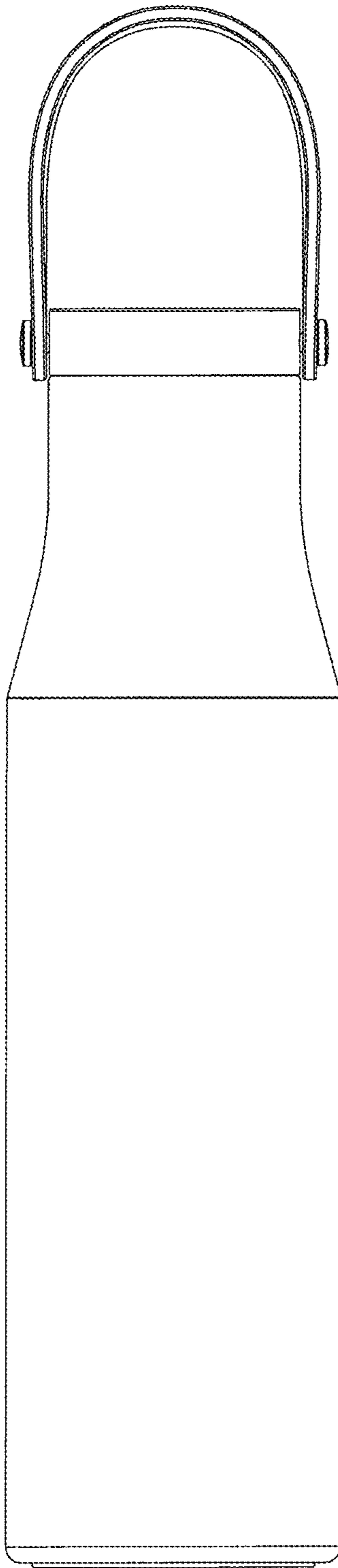


FIG. 3

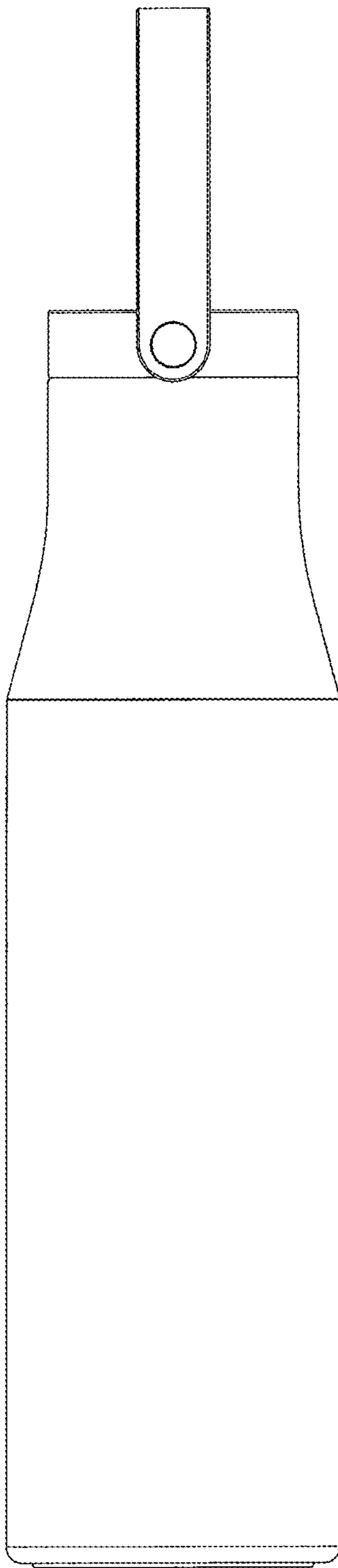


FIG. 4

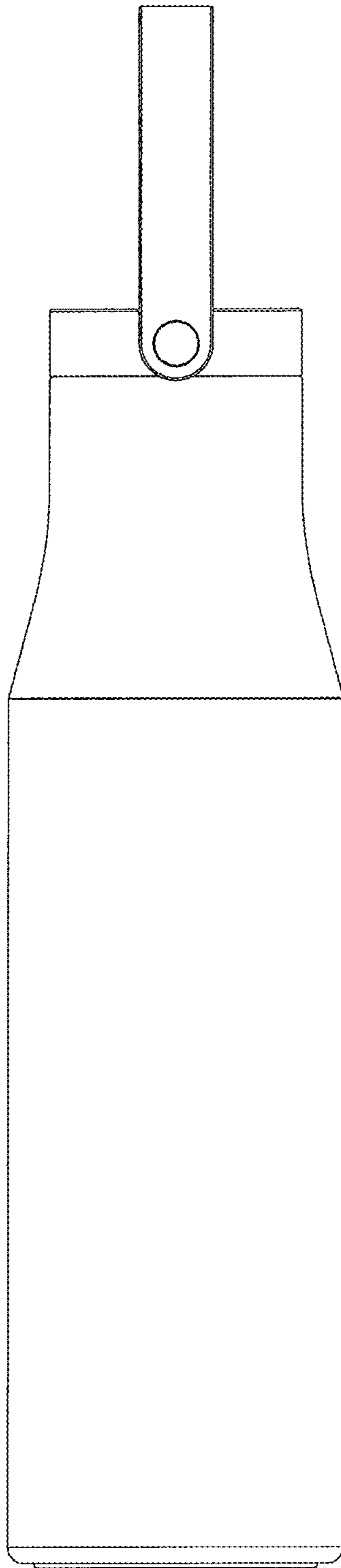


FIG. 5

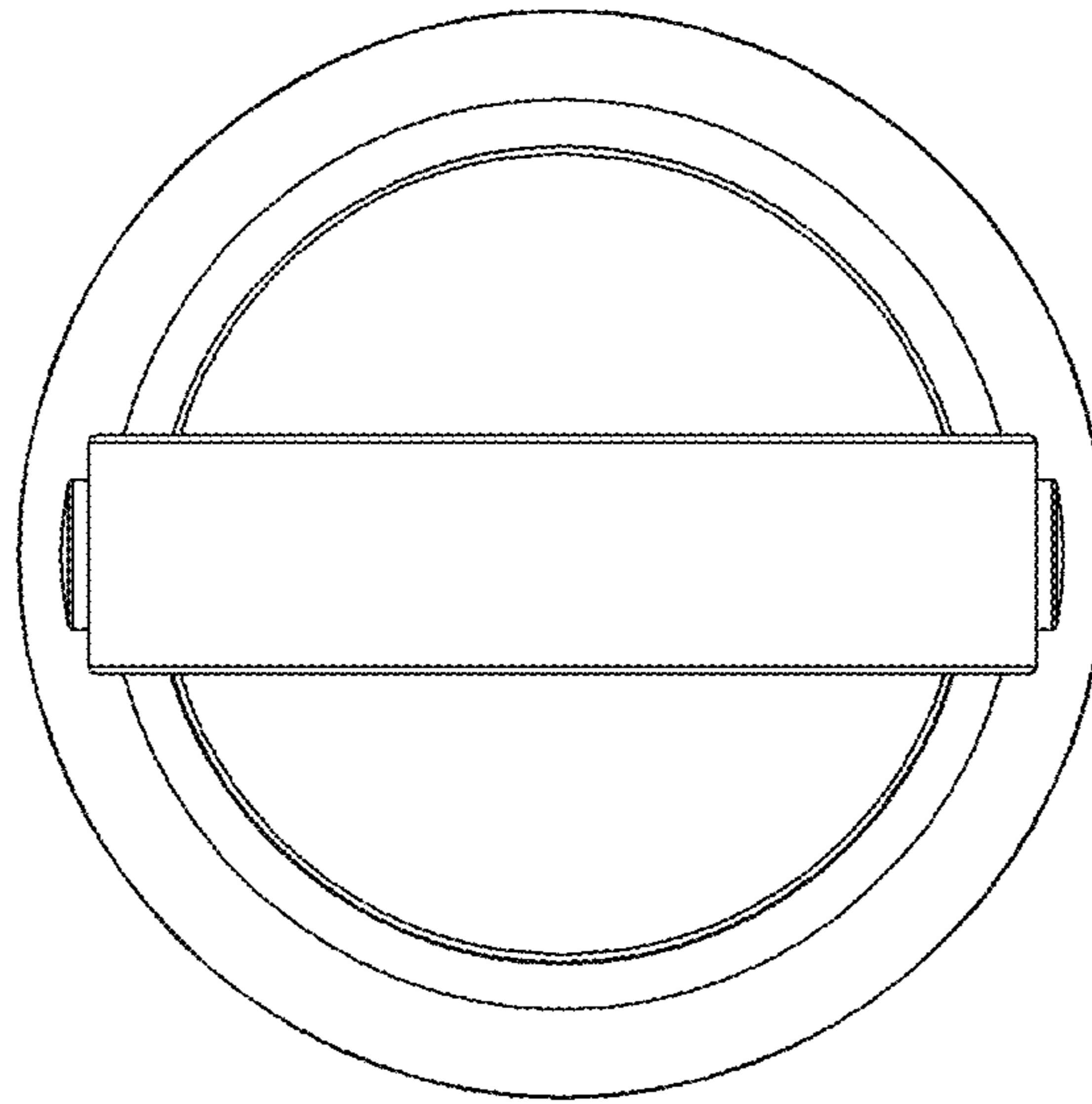


FIG. 6

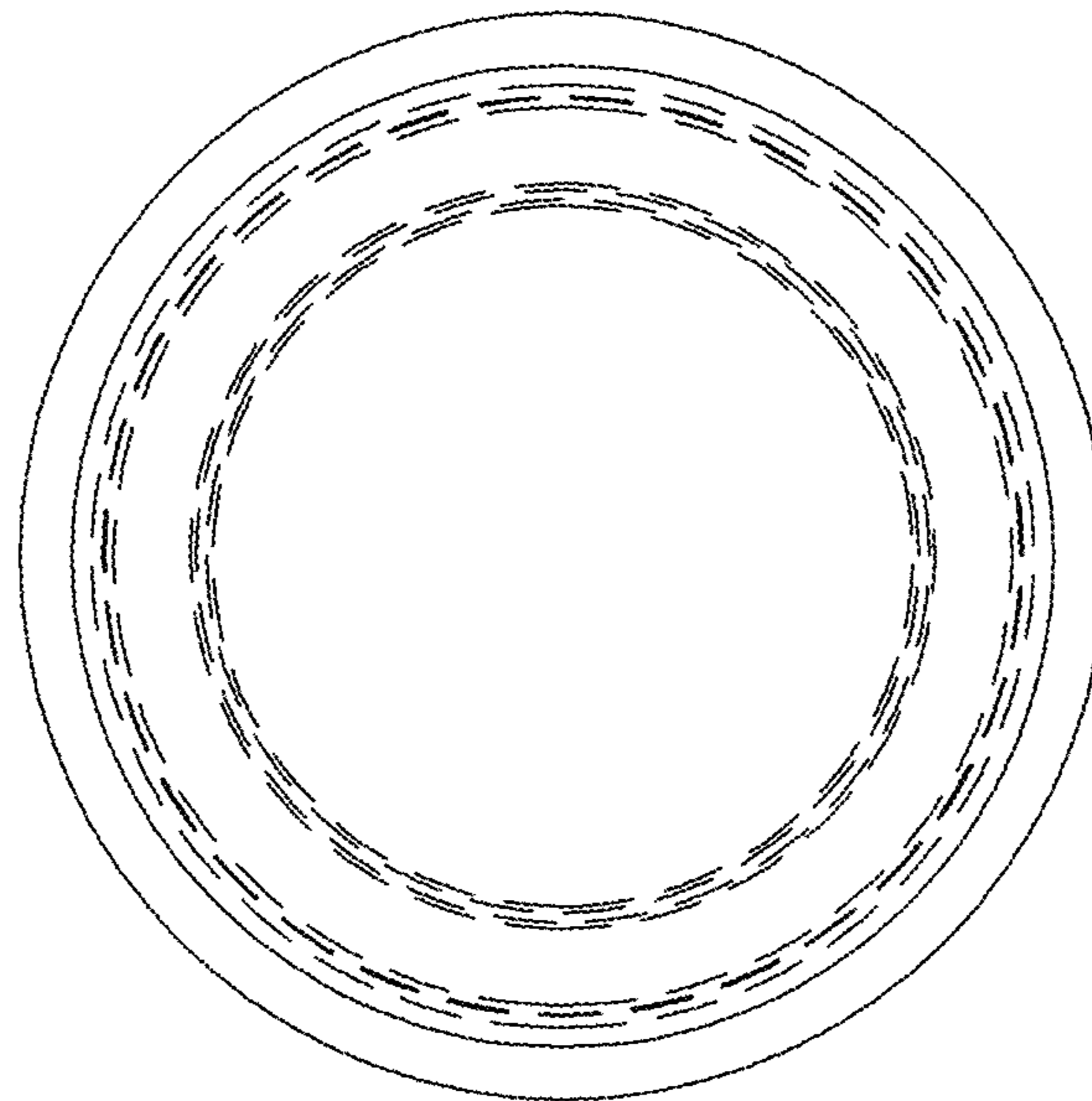


FIG. 7