



US00D945215S

(12) **United States Design Patent**
Lowette

(10) **Patent No.:** **US D945,215 S**
(45) **Date of Patent:** **** Mar. 8, 2022**

(54) **LID**

(71) Applicant: **BIBO BRANDS, besloten vennootschap met beperkte aansprakelijkheid**, Hasselt (BE)

(72) Inventor: **Stijn Lowette**, Hasselt (BE)

(73) Assignee: **BIBO BRANDS, besloten vennootschap met beperkte aansprakelijkheid**

(**) Term: **15 Years**

(21) Appl. No.: **29/700,202**

(22) Filed: **Jul. 31, 2019**

(30) **Foreign Application Priority Data**

Jan. 31, 2019 (EM) 006137576-0003

(51) **LOC (13) Cl.** **07-99**

(52) **U.S. Cl.**
USPC **D7/396.2**

(58) **Field of Classification Search**
USPC D3/202; D7/300, 300.1, 387, 391, 392, D7/392.1, 393, 394, 396.1, 396.2, 401.1, D7/509, 510, 511, 533, 536, 543, 589, D7/591, 601, 602, 619.1; D9/434, 435, D9/436, 438, 439, 440, 441, 443, 445, D9/447, 448, 449, 454, 516, 520, 530, D9/531, 686, 730, 733; D23/206, 227, D23/249, 259, 260, 261, 313; D6/542, D6/550

CPC B65D 2251/1066; B65D 2251/1058; B65D 47/0819; B65D 1/00; B65D 1/02; B65D 1/0223; B65D 2203/00; B65D 2203/02; B65D 81/60; B65D 81/365; B65D 81/366;

(Continued)

(56) **References Cited**

U.S. PATENT DOCUMENTS

D458,134 S * 6/2002 Berish D9/443
D528,921 S * 9/2006 Leoncavallo D7/511

(Continued)

OTHER PUBLICATIONS

CamelBak Pivot Water Bottle: Announced Apr. 14, 2020 [online]. Site Visited [Sep. 24, 2020]. Available from Internet URL: <https://www.amazon.com/dp/B07XR99VK5?th=1>.*

(Continued)

Primary Examiner — Catherine S Posthauer

(74) *Attorney, Agent, or Firm* — Fresh IP PLC; Clifford D. Hyra; Aubrey Y. Chen

(57) **CLAIM**

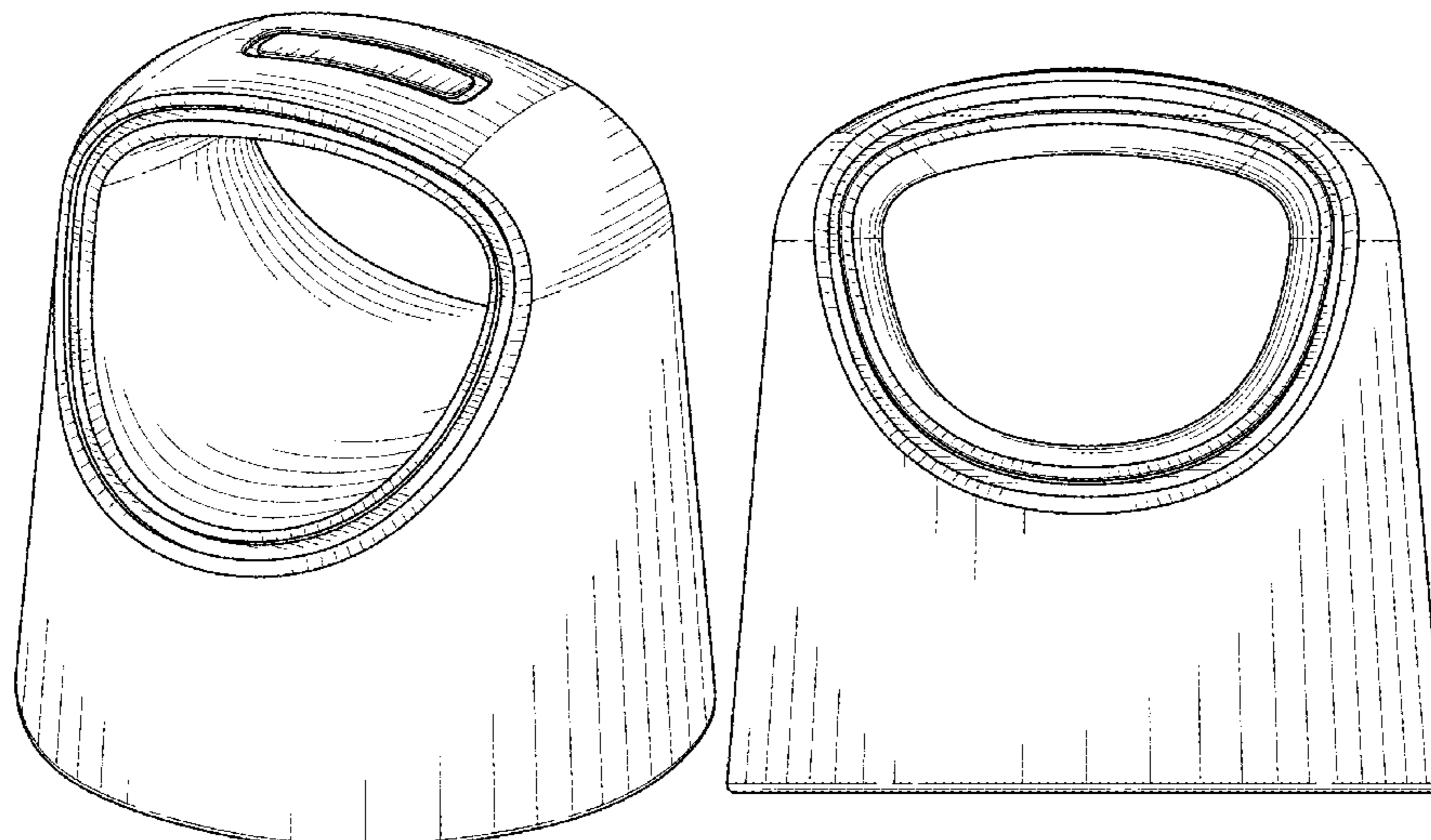
The ornamental design for a lid, as shown and described.

DESCRIPTION

FIG. 1 is a top view of a lid, showing my new design; FIG. 2 is a left side view thereof, the right side view being identical; FIG. 3 is a front view thereof, the rear view being identical; FIG. 4 is a perspective view thereof showing the front, right, and top sides; FIG. 5 is a perspective view thereof showing the front, right, and bottom sides; FIG. 6 is a perspective view thereof showing the front, right, and bottom sides; FIG. 7 is a bottom view thereof; FIG. 8 is a top view of a second embodiment of a lid; FIG. 9 is a left side view thereof; FIG. 10 is a front view thereof; FIG. 11 is a right side view thereof; and, FIG. 12 is a rear view thereof.

The broken lines in the drawings are included for the purpose of illustrating subject matter that forms no part of the claimed design.

1 Claim, 12 Drawing Sheets



(58) **Field of Classification Search**

CPC B65D 81/368; B65D 2539/008; B65D 39/0094; B65D 2543/00046; B65D 2543/00027; B65D 2543/00092; B65D 2543/00296; B65D 2543/00351; B65D 2543/00537; B65D 2543/00731; B65D 43/0212; B65D 43/0218; A01G 31/02; B02C 18/16; B02C 18/18; B02C 18/24; A47J 42/08; A47J 42/38; A47J 42/04; A47J 42/46; A47J 42/16; A47J 42/14; A47J 42/34; A47J 42/40; A47J 42/25; A47J 42/255

See application file for complete search history.

(56) **References Cited**

U.S. PATENT DOCUMENTS

D530,608 S * 10/2006 Nukuto D9/445
 D531,030 S * 10/2006 Nukuto D9/445
 D563,782 S * 3/2008 Benson D8/356
 D568,740 S * 5/2008 Williams D9/436
 D572,585 S * 7/2008 Perrin D9/443
 D608,195 S * 1/2010 Germann D9/443
 D612,235 S * 3/2010 Cresswell D9/443
 D616,743 S * 6/2010 Cresswell D9/443
 D616,744 S * 6/2010 Cresswell D9/443
 D620,798 S * 8/2010 Cresswell D9/443
 D621,257 S * 8/2010 Gullickson D9/443
 D621,258 S * 8/2010 Gullickson D9/443
 D627,223 S * 11/2010 Storti D9/443
 D627,602 S * 11/2010 Eyal D7/510
 D635,457 S * 4/2011 Lane D7/511
 D652,255 S * 1/2012 Carland D7/510
 D688,093 S * 8/2013 Roth D7/392.1
 D712,255 S * 9/2014 Geis D9/436
 D767,337 S * 9/2016 Boroski D7/510

D779,323 S * 2/2017 Masrouf D9/443
 D781,146 S * 3/2017 Seiders D9/443
 D786,671 S * 5/2017 Khetarpaul D9/443
 D794,397 S * 8/2017 Seiders D7/608
 D795,009 S * 8/2017 Alprin D7/392.1
 D795,013 S * 8/2017 Shultz D7/511
 D804,304 S * 12/2017 Pearson D9/443
 D808,213 S * 1/2018 Lown D7/396.2
 D816,398 S * 5/2018 Fleischhut D7/392.1
 D816,400 S * 5/2018 Beckman D7/396.2
 D819,396 S * 6/2018 Seiders D7/392.1
 D830,771 S * 10/2018 Lin D7/510
 D839,675 S * 2/2019 Beckman D7/511
 D840,187 S * 2/2019 Sams D7/392
 D841,391 S * 2/2019 Pape D7/391
 D843,212 S * 3/2019 Seiders D9/443
 D847,630 S * 5/2019 Cotan D9/439
 D850,849 S * 6/2019 Ke D7/396.2
 D855,389 S * 8/2019 Waggoner D7/392.1
 D856,748 S * 8/2019 Rane D7/392.1
 D860,715 S * 9/2019 Bohman D7/392
 D862,228 S * 10/2019 Yao D9/443
 D870,508 S * 12/2019 Palkon D7/392.1
 D874,216 S * 2/2020 Henkel D7/392
 D875,466 S * 2/2020 Diener D7/396.2
 D885,892 S * 6/2020 Paquet D9/443
 2004/0217139 A1 * 11/2004 Roth B65D 47/243
 224/148.7
 2008/0078787 A1 * 4/2008 Yelland A45F 5/02
 224/148.1

OTHER PUBLICATIONS

Kambukka Reno Water Bottle: Announced Apr. 25, 2020 [online].
 Site Visited [Sep. 24, 2020]. Available from Internet URL: <https://www.kambukka.com/en/lifestyle-6>.*

* cited by examiner

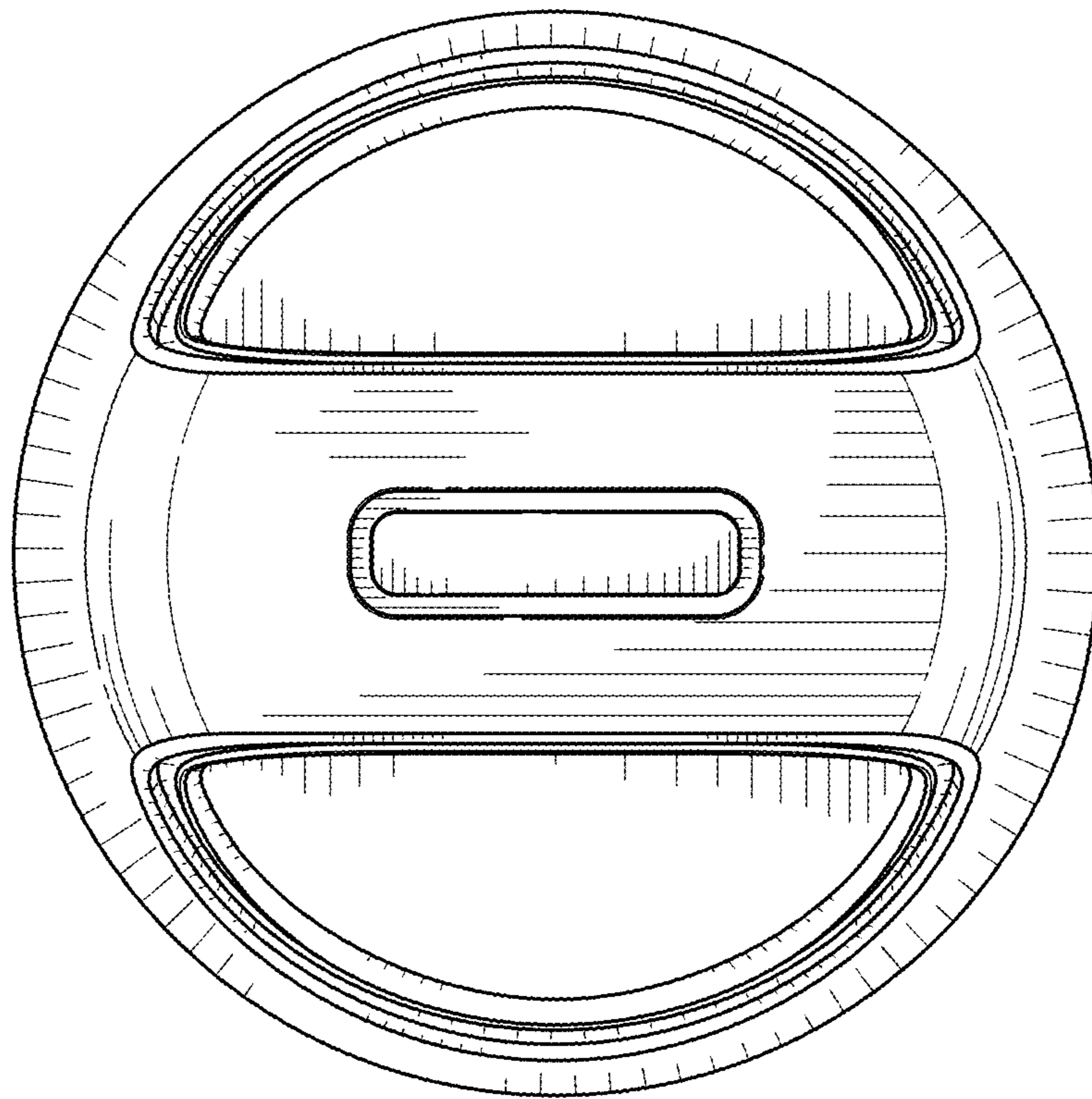


FIG. 1

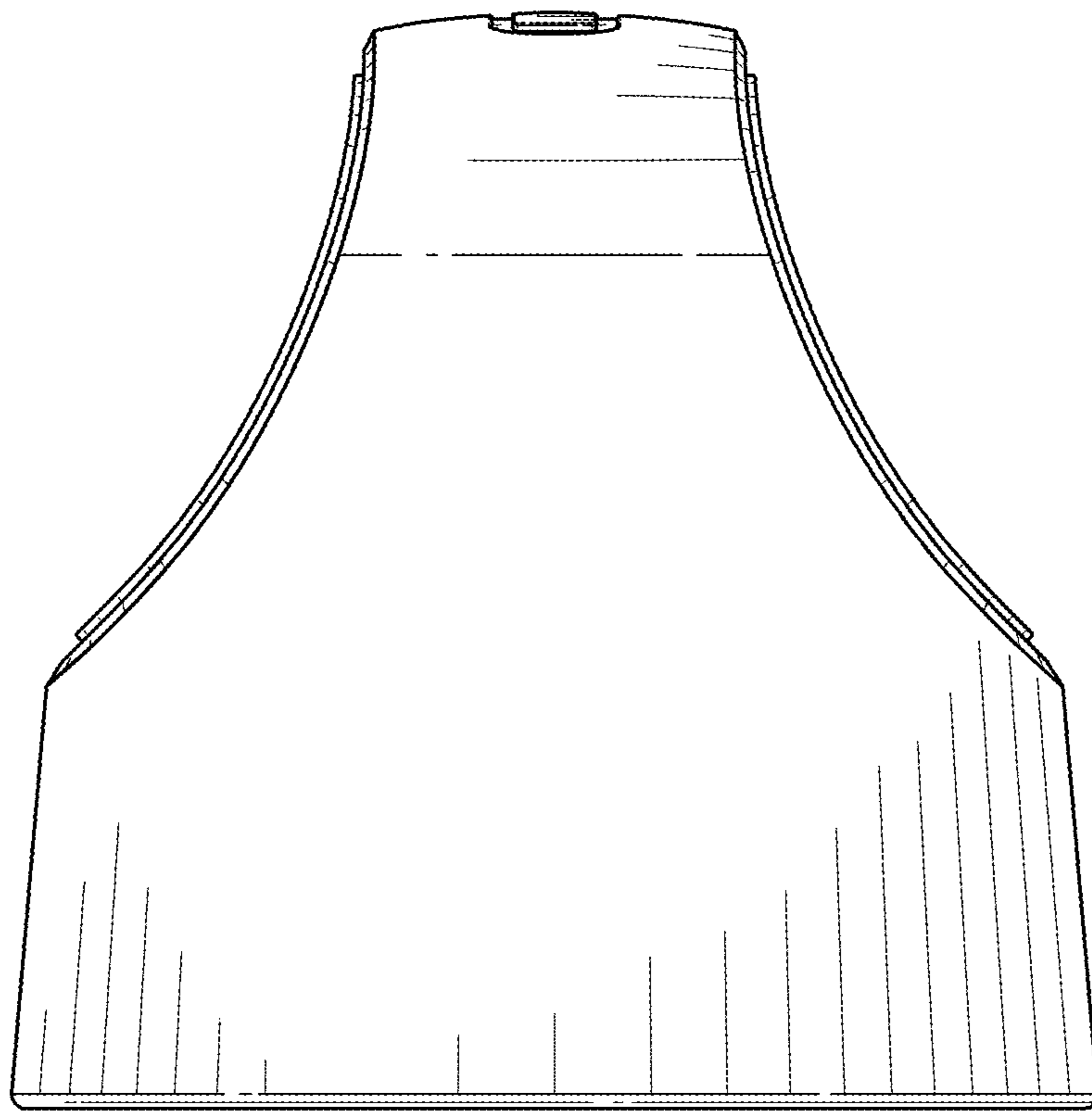


FIG. 2

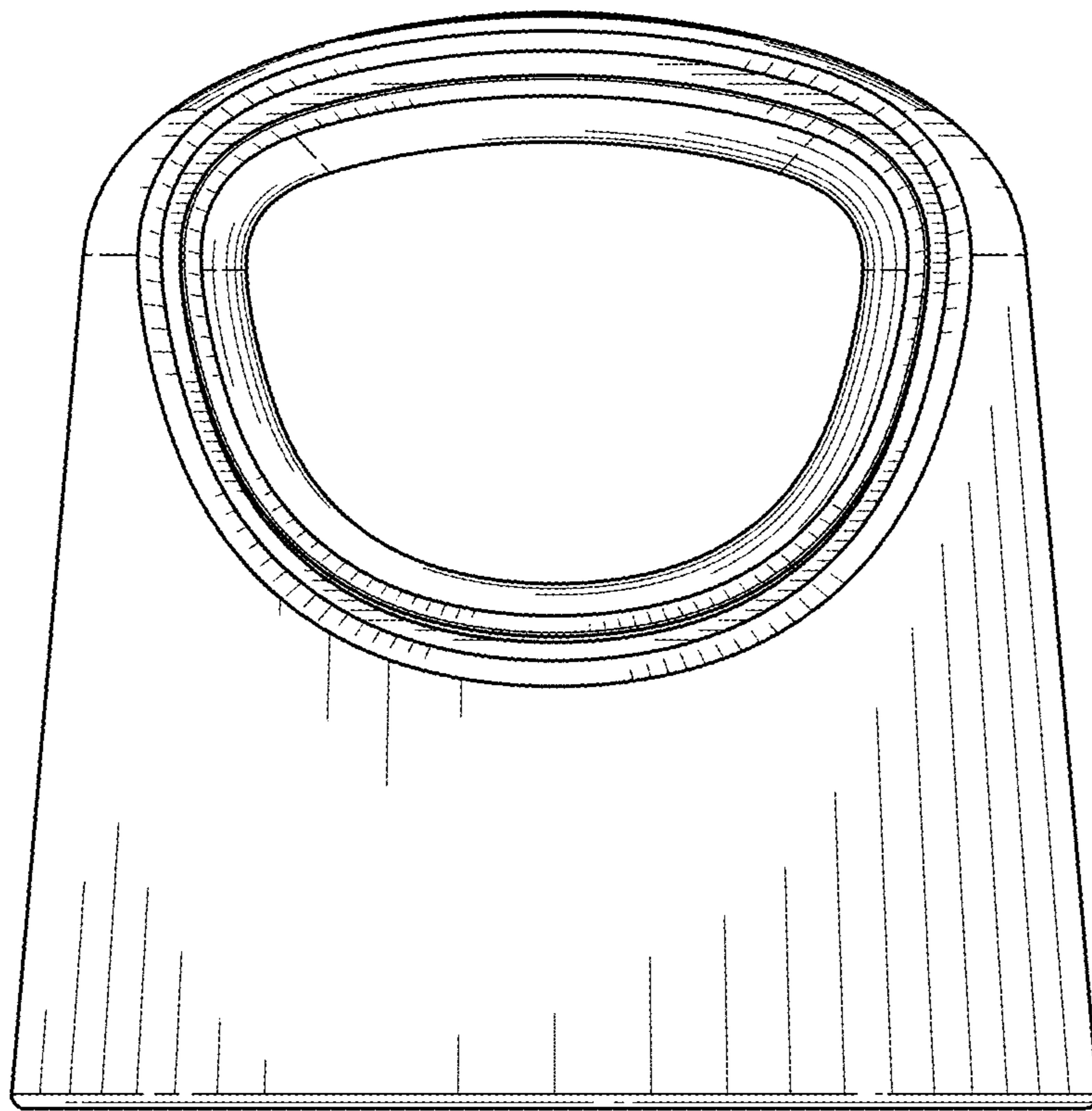


FIG. 3

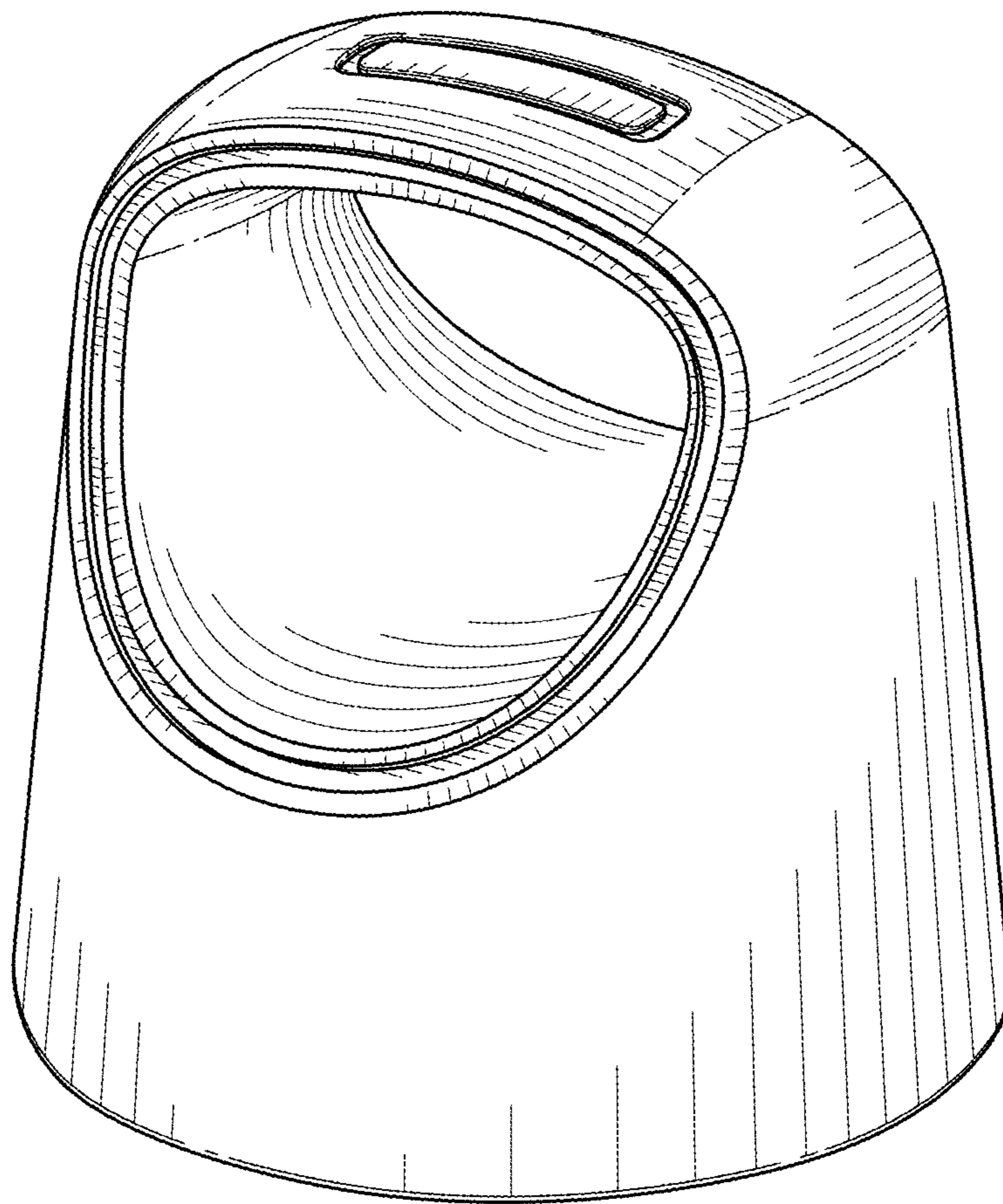


FIG. 4

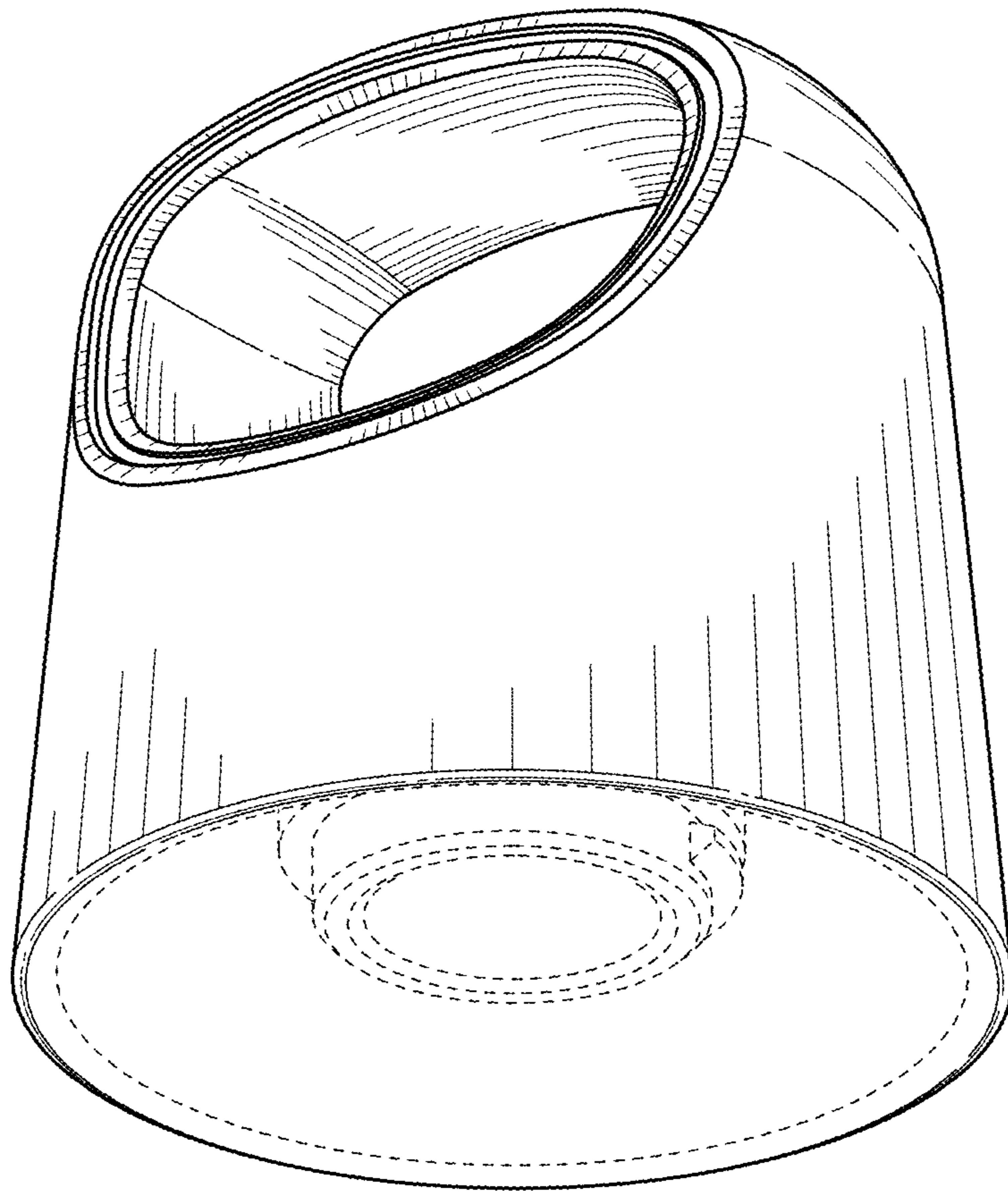


FIG. 5

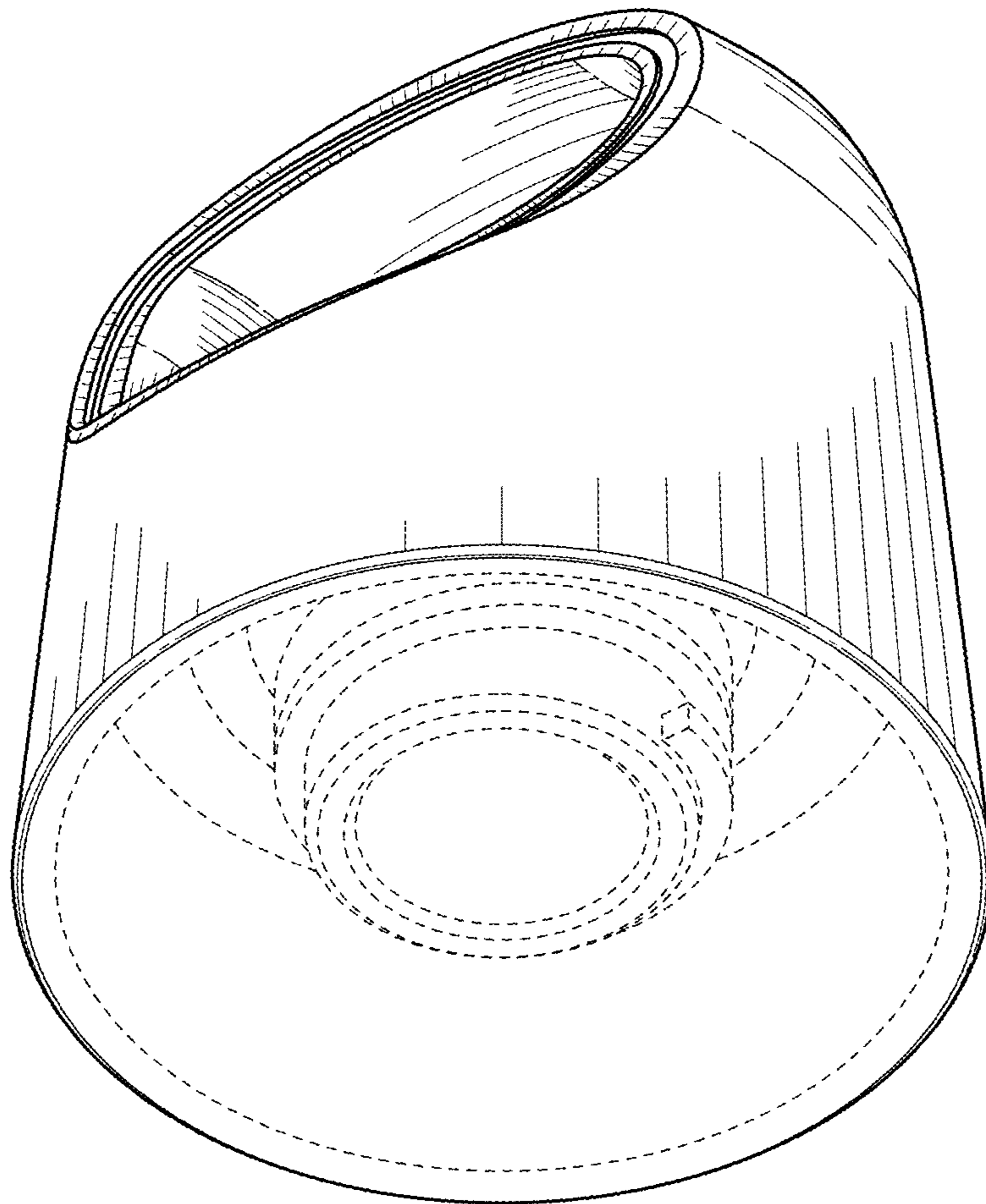


FIG. 6

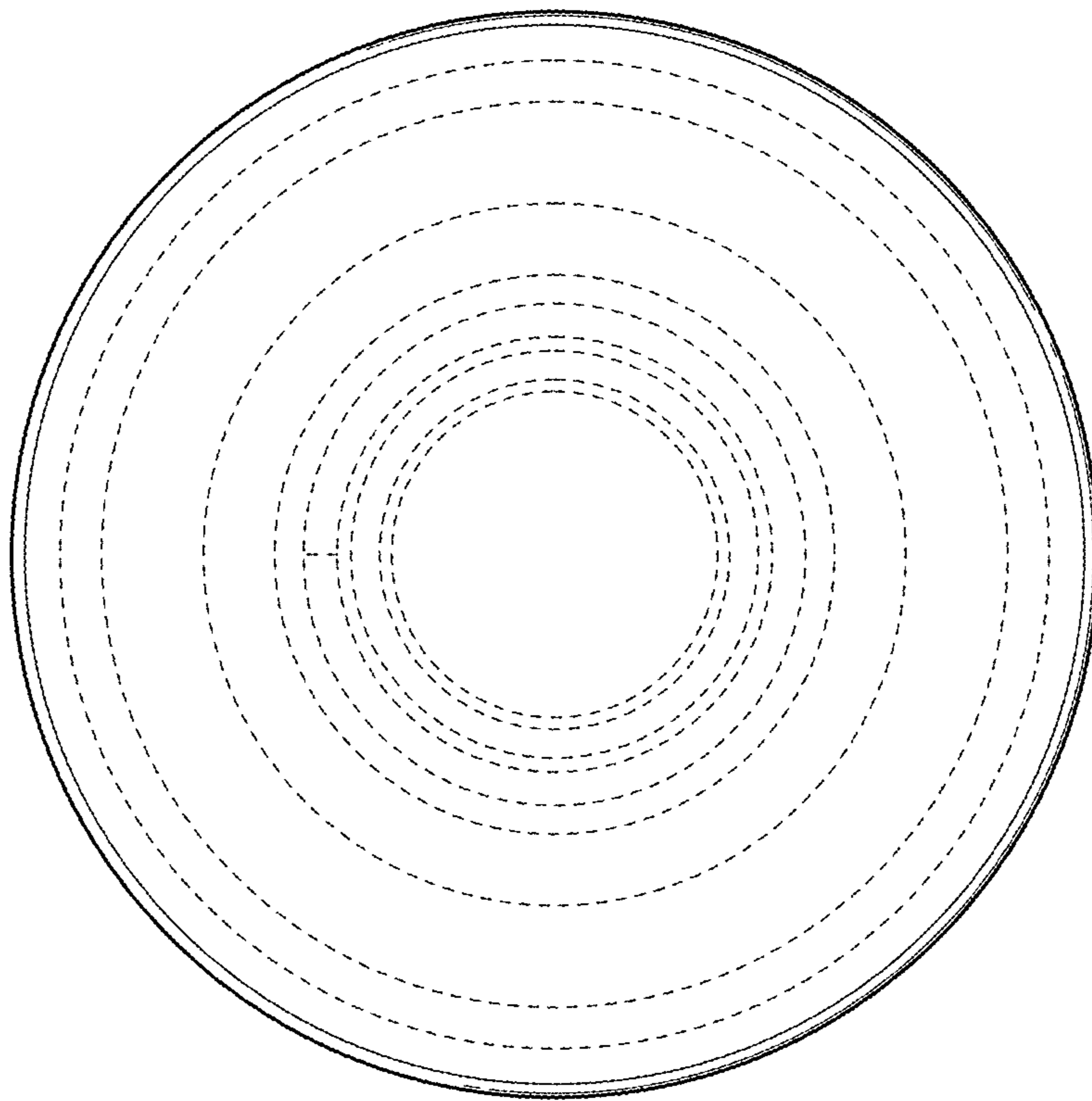


FIG. 7

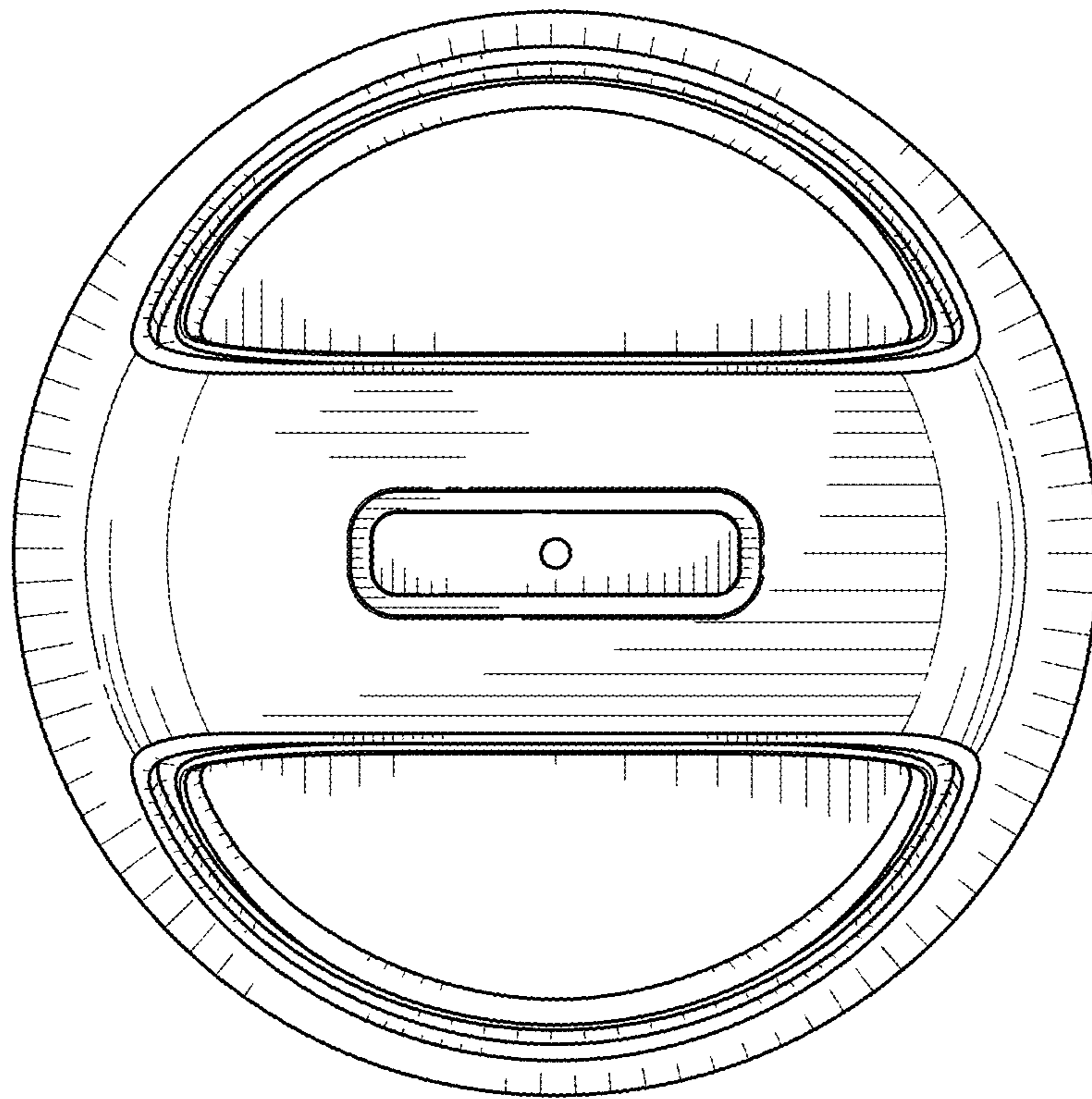


FIG. 8

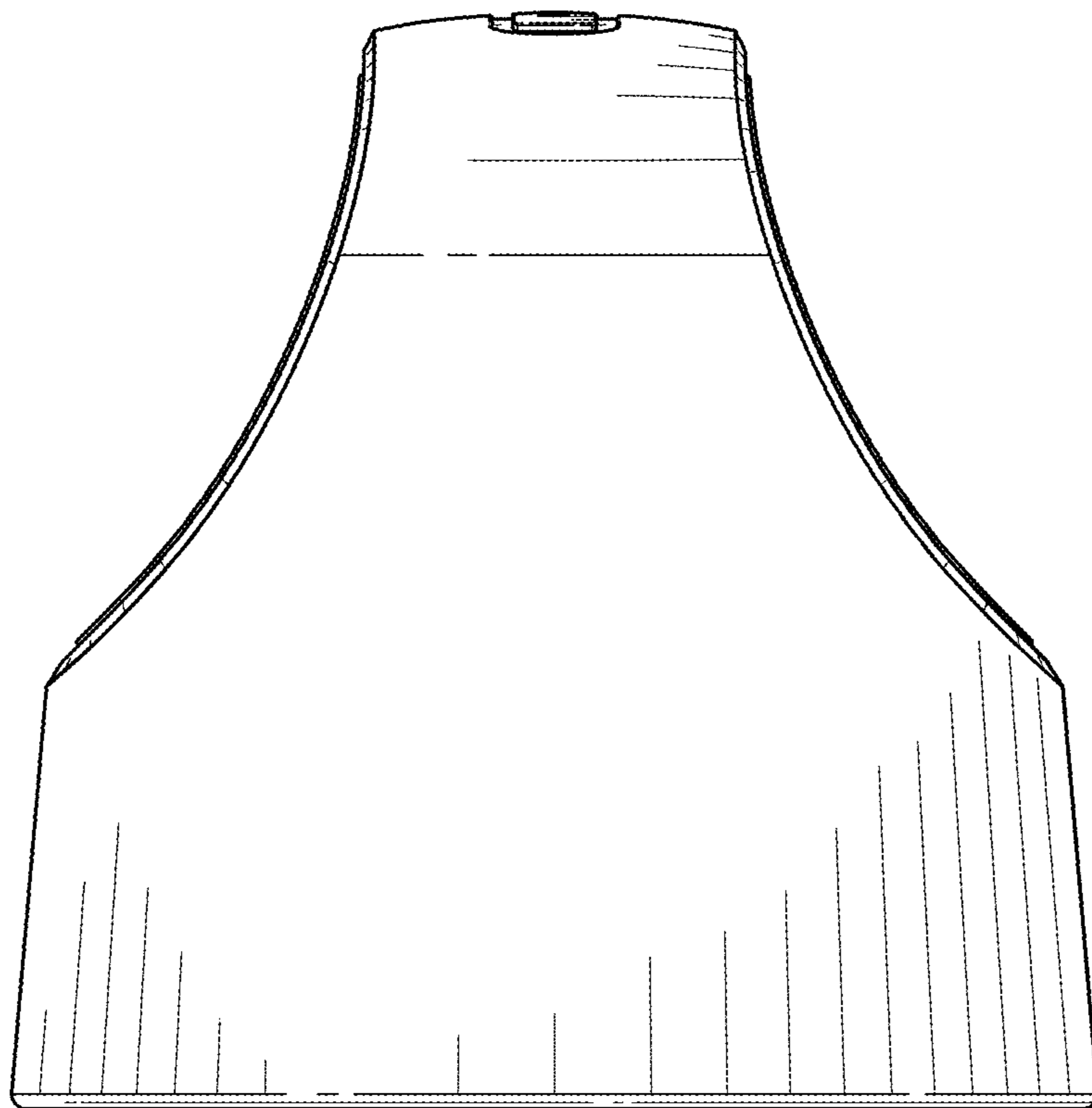


FIG. 9

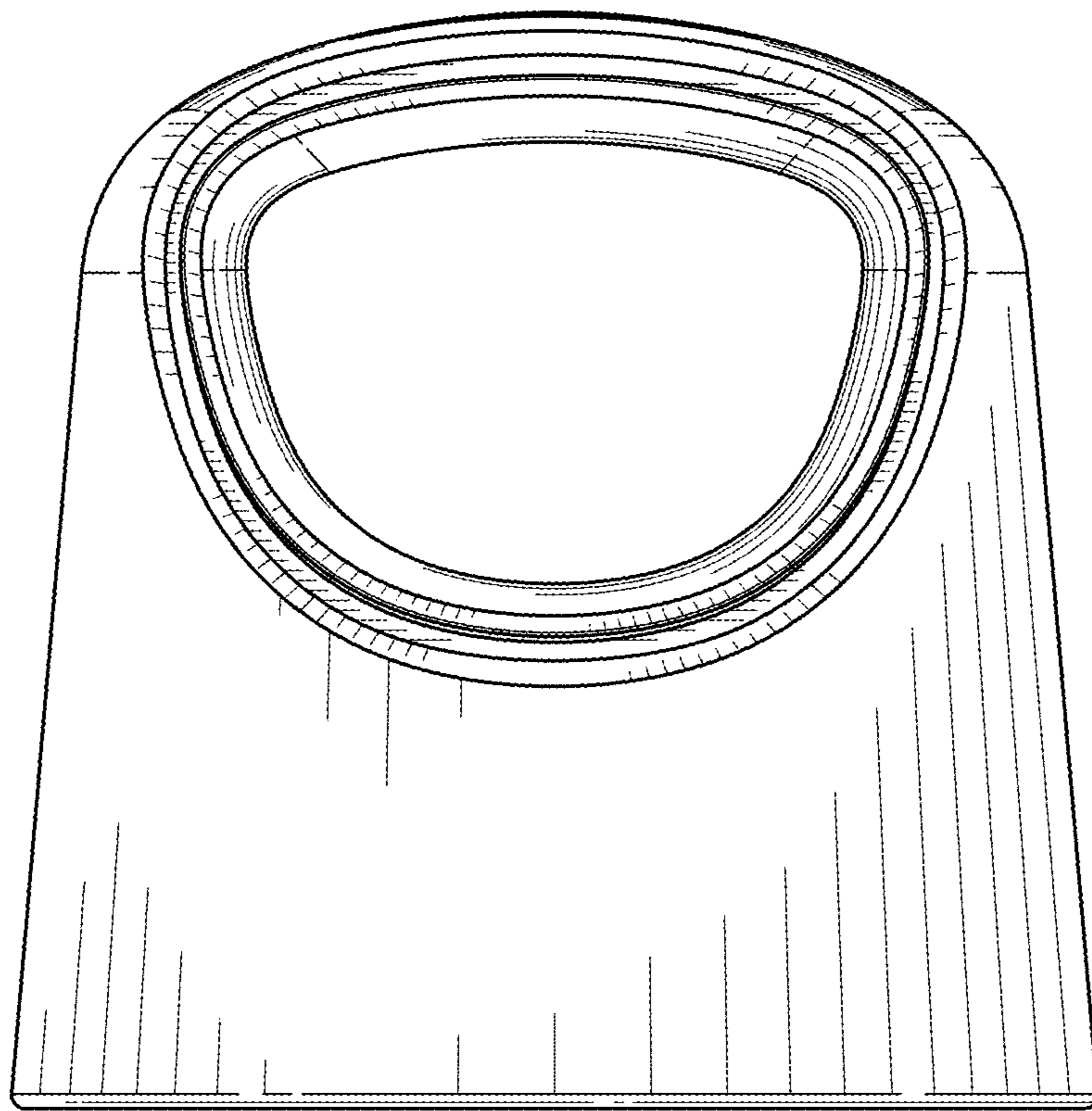


FIG. 10

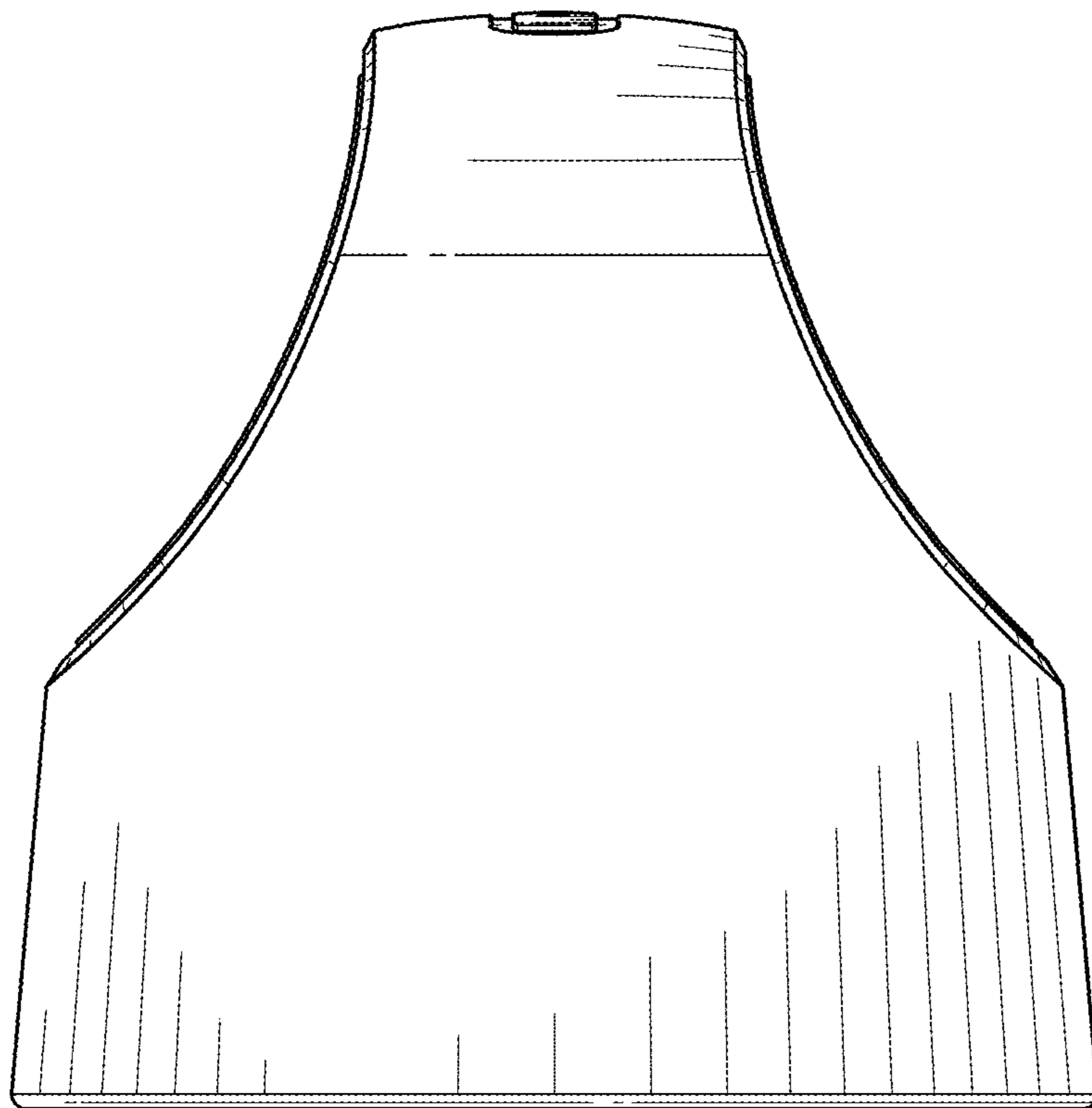


FIG. 11

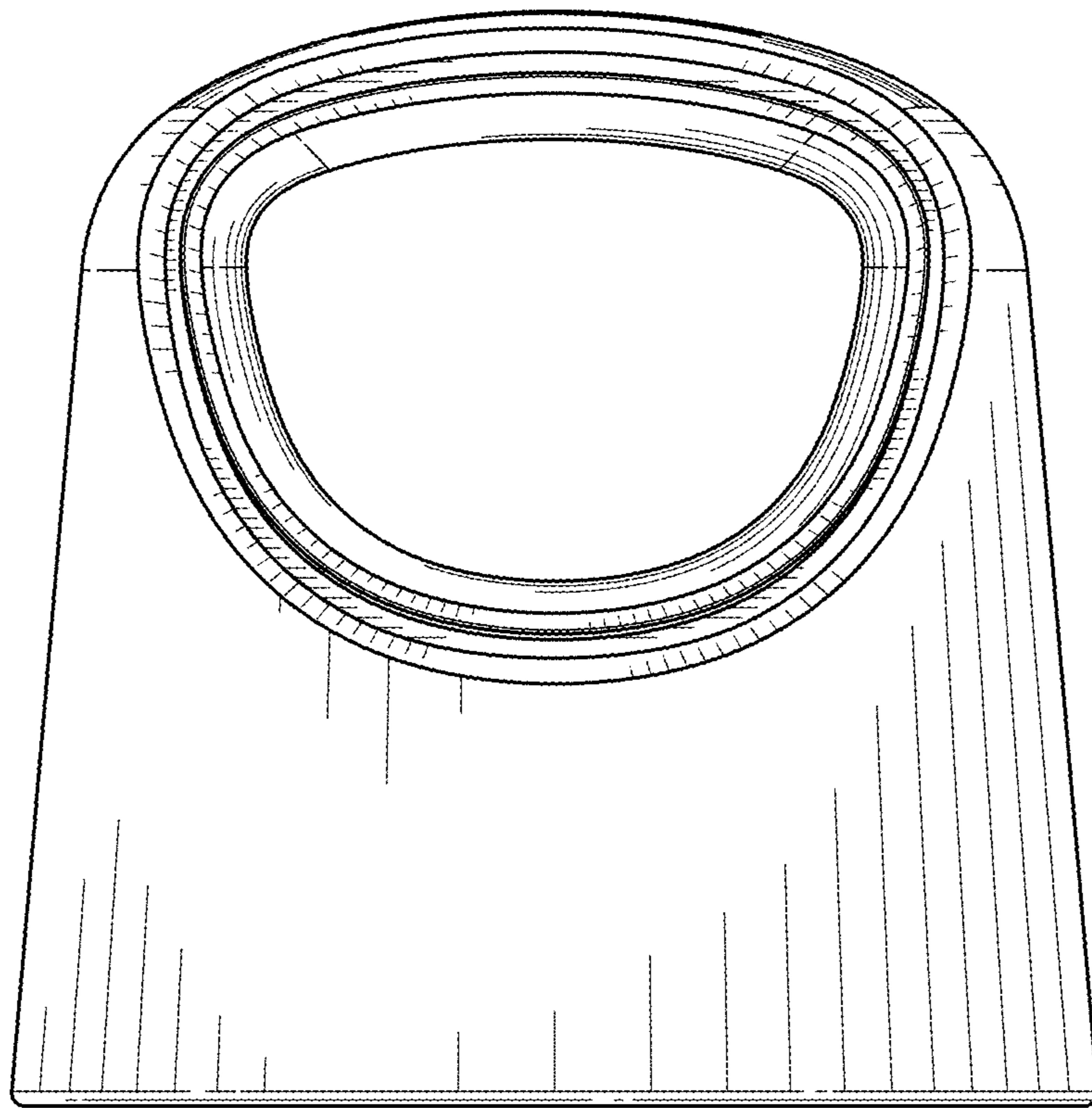


FIG. 12