



US00D945214S

(12) **United States Design Patent**
Zhou

(10) **Patent No.:** **US D945,214 S**

(45) **Date of Patent:** **** Mar. 8, 2022**

(54) **BOTTLE LID**

(71) Applicant: **TAIZHOU NUOJIU TRADING CO., LTD.**, Zhejiang (CN)

(72) Inventor: **Danhong Zhou**, Zhejiang (CN)

(73) Assignee: **TAIZHOU NUOJIU TRADING CO., LTD.**, Zhejiang (CN)

(**) Term: **15 Years**

(21) Appl. No.: **29/780,299**

(22) Filed: **Apr. 23, 2021**

(51) **LOC (13) Cl.** **09-07**

(52) **U.S. Cl.**
USPC **D7/392.1**; D9/443; D7/396.2

(58) **Field of Classification Search**
USPC D9/435, 439, 440, 442-449, 450, 454, D9/531, 682-694, 723; D7/321, 391, D7/392, 392.1, 396.2, 507, 509-511, 523, D7/608, 900; D6/515
CPC B65D 83/205; B65D 83/206; B65D 83/40; B65D 2543/00046; A47G 19/2272
See application file for complete search history.

(56) **References Cited**

U.S. PATENT DOCUMENTS

D682,034 S *	5/2013	El-Saden	D7/510
8,602,238 B2 *	12/2013	El-Saden	B65D 51/242 215/389
D729,569 S *	5/2015	Herbst	D7/392
D756,702 S *	5/2016	Joseph	D7/392.1
9,708,107 B2 *	7/2017	El-Saden	A45F 3/18
D802,993 S *	11/2017	Joseph	D7/392.1
D804,903 S *	12/2017	Mason	D7/510
D808,711 S *	1/2018	Joseph	D7/392.1
D808,713 S *	1/2018	Rane	D7/396.2
D811,162 S *	2/2018	Rane	D7/396.2
D812,966 S *	3/2018	Murosky	D7/392.1
D814,855 S *	4/2018	Hammer	D7/392.1

D816,411 S *	5/2018	Stover	D7/510
D818,317 S *	5/2018	Fu	D7/510
D818,774 S *	5/2018	Stover	D7/510
D820,637 S *	6/2018	Davis	D7/392.1
D838,549 S *	1/2019	Gu	D7/510

(Continued)

OTHER PUBLICATIONS

Lexus, Sep. 15, 2019, Glass Water Bottle with Straw Motivational Water, Amazon.com Product review post, URL: <https://www.amazon.com/Bottle-Motivational-Marker-Bottles-Leak-proof/dp/B07TXGTL68#customerReviews> (Year: 2019).*

Primary Examiner — Brett Miller

Assistant Examiner — Rani J Abdallah

(74) *Attorney, Agent, or Firm* — ScienBiziP, P.C.

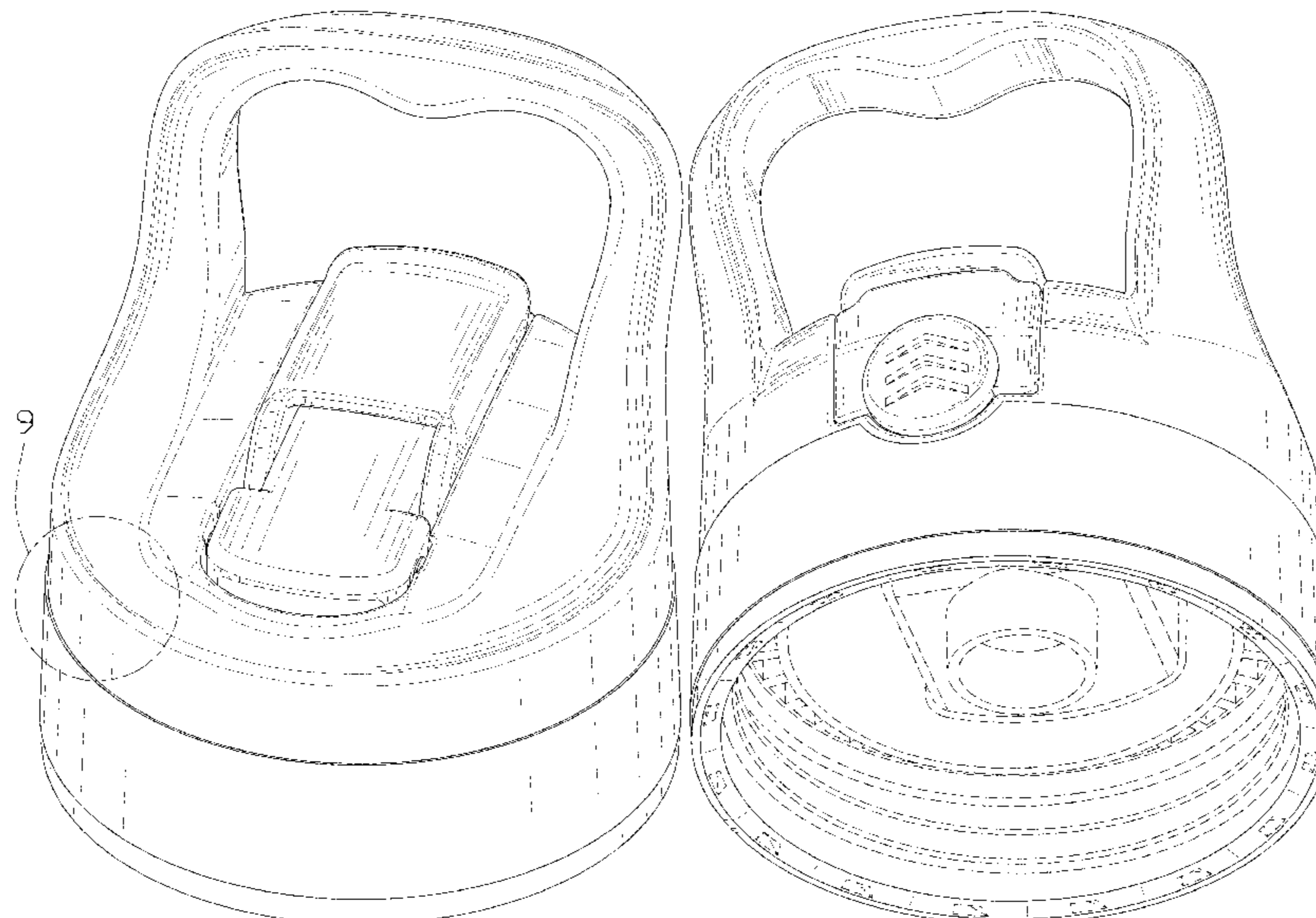
(57) **CLAIM**

The ornamental design for a bottle lid, as shown and described.

DESCRIPTION

FIG. 1 is a front, right, and top perspective view of a bottle lid, showing my design.
FIG. 2 is a rear, left, and bottom perspective view thereof.
FIG. 3 is a front elevation view thereof.
FIG. 4 is a rear elevation view thereof.
FIG. 5 is a left side elevation view thereof.
FIG. 6 is a right side elevation view thereof.
FIG. 7 is a top plan view thereof.
FIG. 8 is a bottom plan view thereof.
FIG. 9 is a partial enlarged view of an area labeled 9 in FIG. 1 comprising an edge portion; and,
FIG. 10 is a front, left and top perspective view of the bottle lid of FIG. 1, wherein a nozzle of the bottle lid is open.
The broken lines shown in the drawings are included for the purpose of illustrating portions of the bottle lid that form no part of the claimed design.

1 Claim, 10 Drawing Sheets



(56)

References Cited

U.S. PATENT DOCUMENTS

D857,445	S	*	8/2019	Keung	D7/392.1
D858,182	S	*	9/2019	Keung	D7/392.1
D862,985	S	*	10/2019	Backs	D7/511
D870,508	S	*	12/2019	Palkon	D7/392.1
D871,833	S	*	1/2020	Farsai	A47G 19/2266
						D7/392.1
D887,781	S	*	6/2020	Bergstrom	D7/510
D896,573	S	*	9/2020	Wu	D7/392.1
D897,760	S	*	10/2020	Feng	D7/392.1
D899,850	S	*	10/2020	Xie	D7/392.1
D900,537	S	*	11/2020	Yao	D7/392.1
D903,403	S	*	12/2020	Ames	D7/392
D907,959	S	*	1/2021	Hao	D7/510
D911,101	S	*	2/2021	Fang	D7/392.1
D911,772	S	*	3/2021	Xie	D7/392.1
D915,821	S	*	4/2021	Ludolph	D7/396.2
D916,560	S	*	4/2021	Wu	D7/392.1
D920,046	S	*	5/2021	Backs	D7/510
D922,135	S	*	6/2021	Chen	D7/392.1
D923,394	S	*	6/2021	Gu	D7/392.1
D923,396	S	*	6/2021	Lin	D7/392.1
D925,275	S	*	7/2021	Liu	D7/392.1
D929,802	S	*	9/2021	Han	D7/392.1
D934,623	S	*	11/2021	Wang	D7/392.1
D935,265	S	*	11/2021	Chen	D7/392.1
D935,266	S	*	11/2021	Chen	D7/392.1
2021/0002041	A1	*	1/2021	Starner	B65D 47/32

* cited by examiner

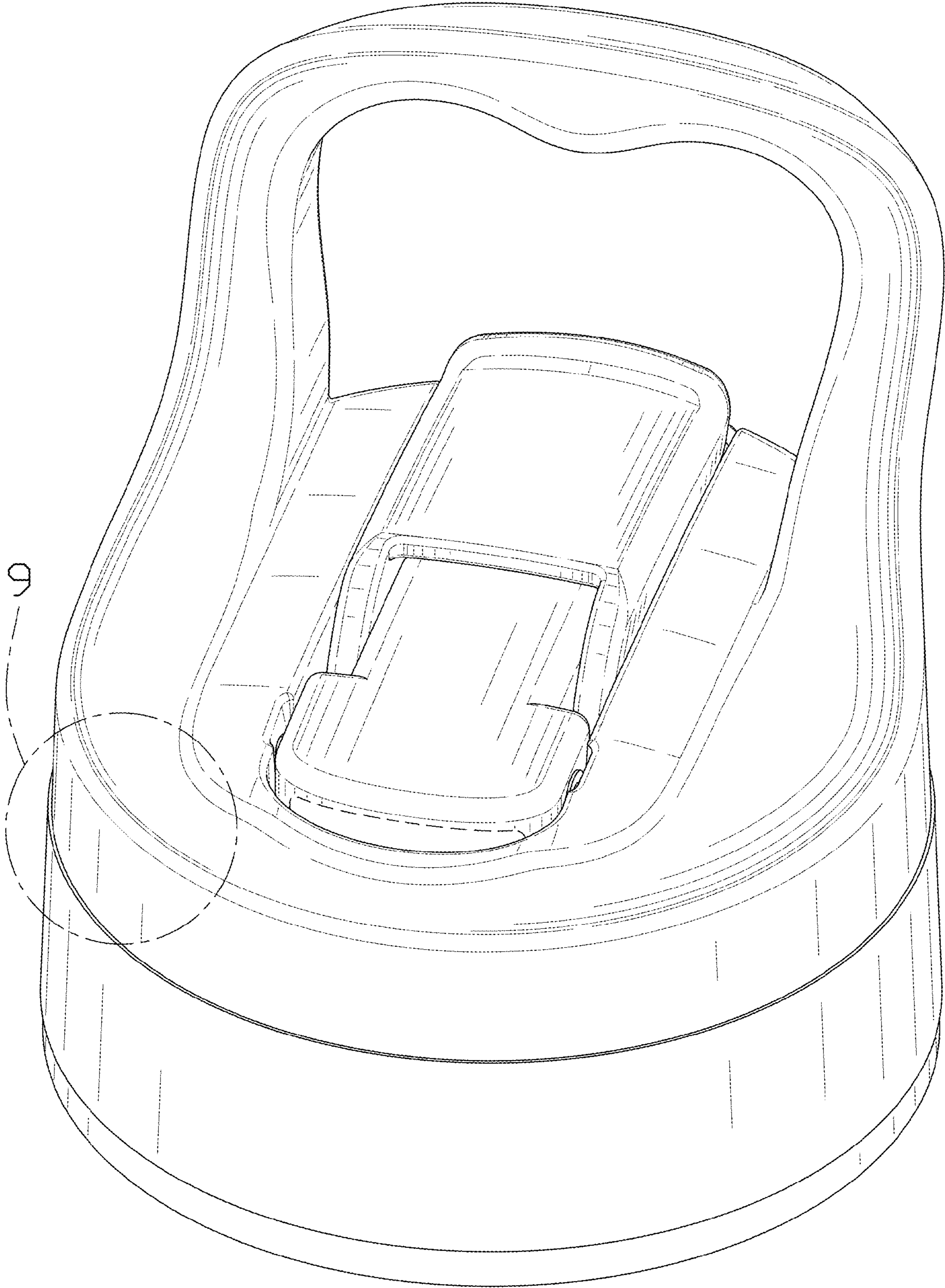


FIG. 1

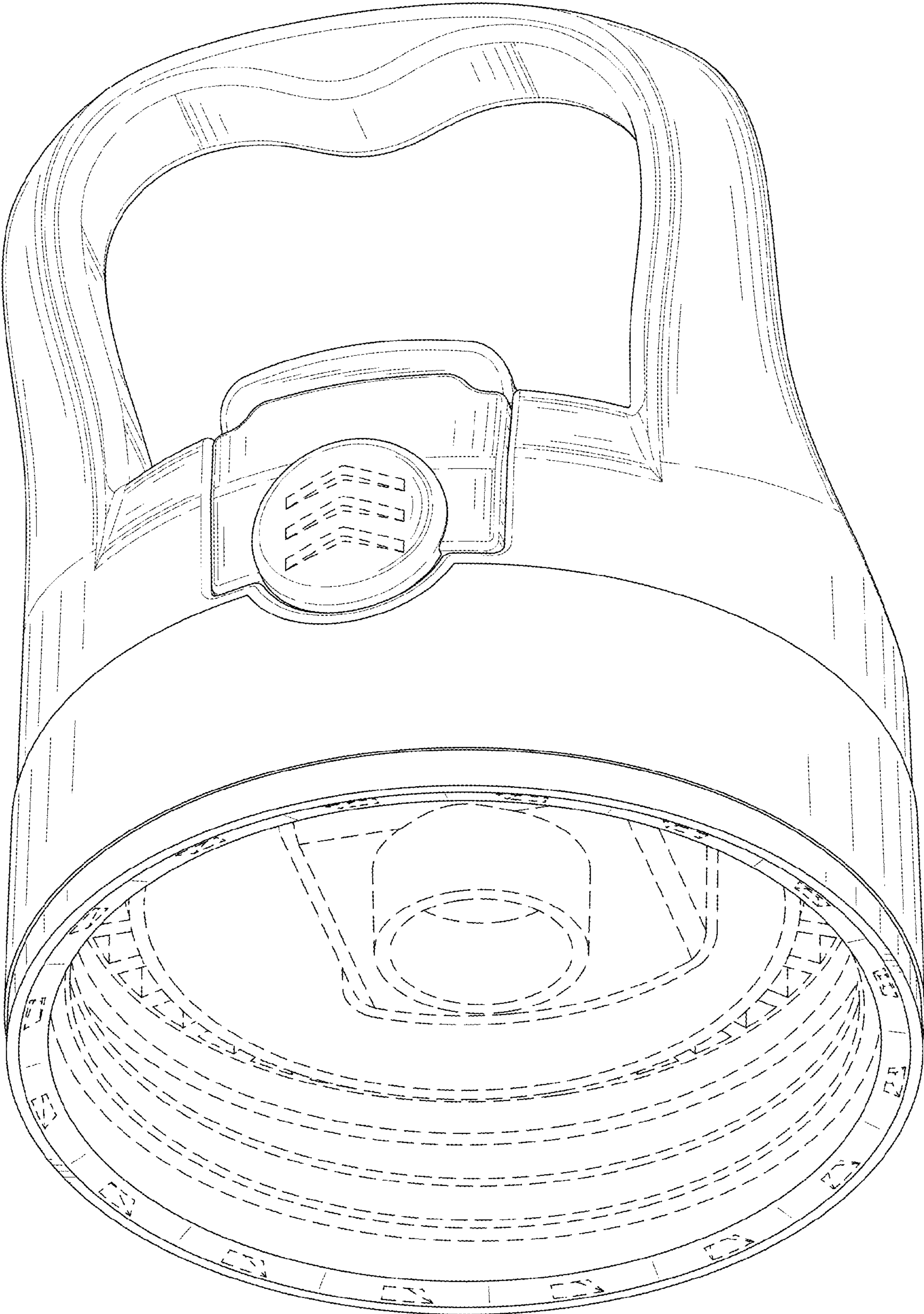


FIG. 2

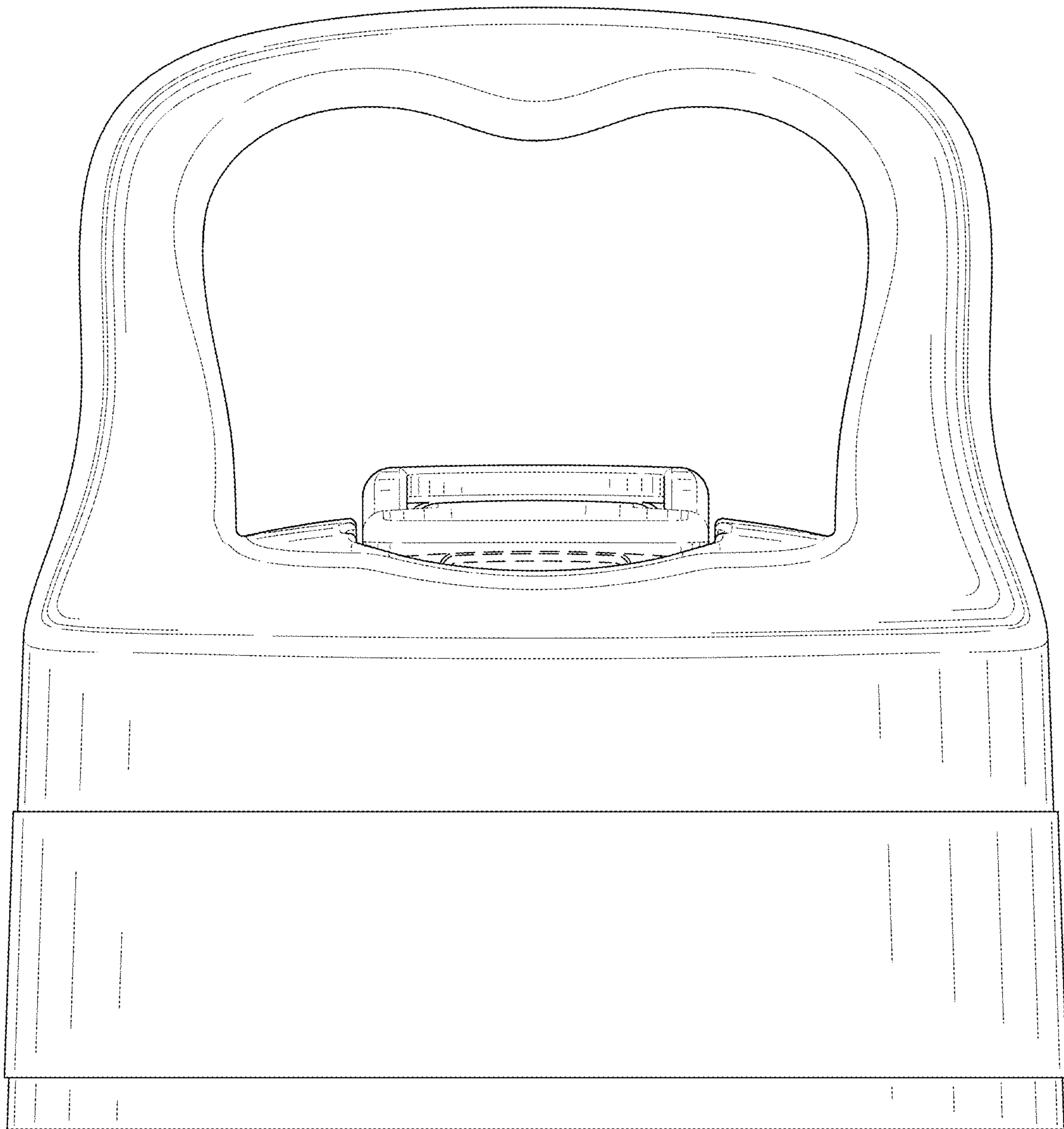


FIG. 3

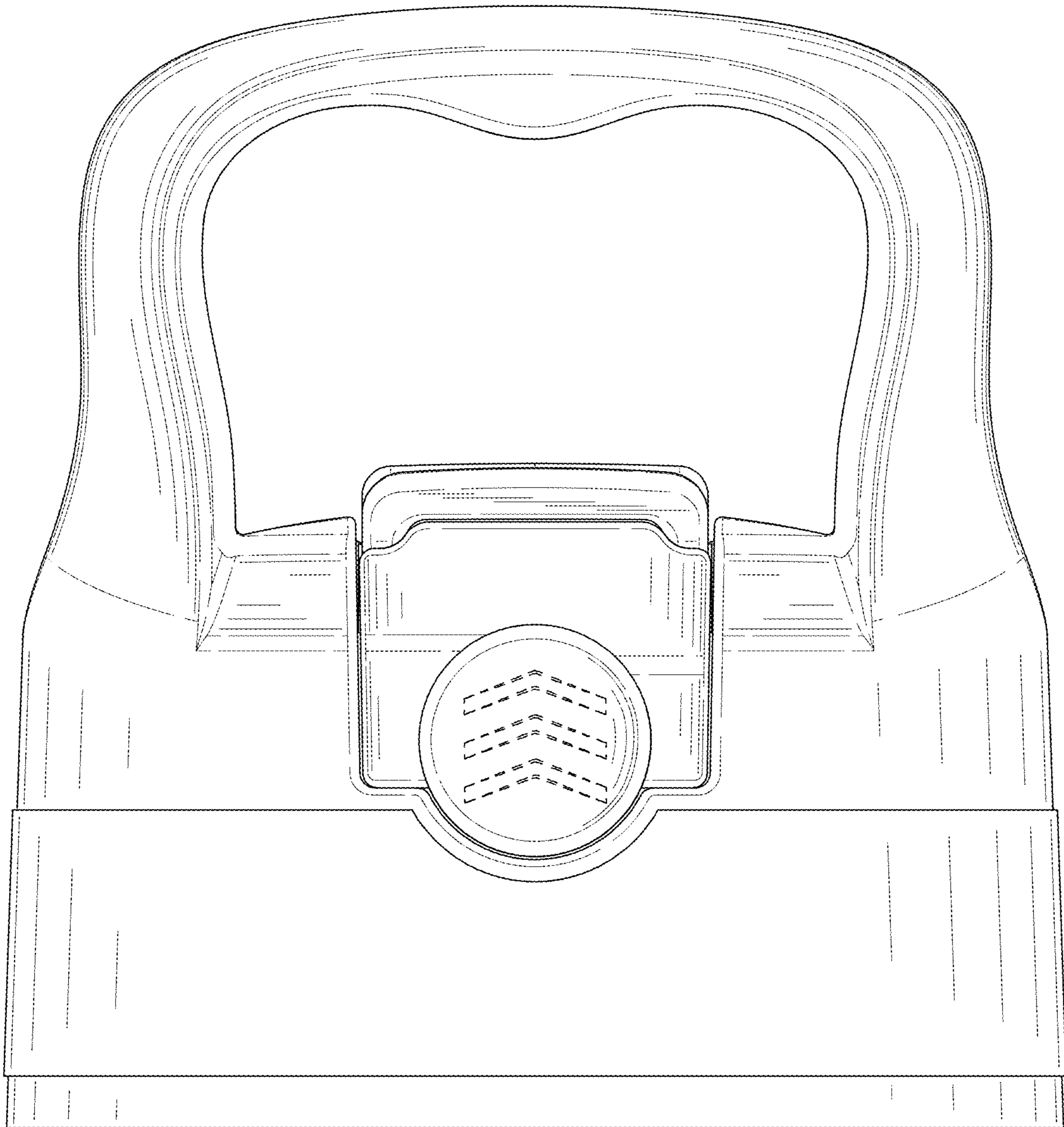


FIG. 4

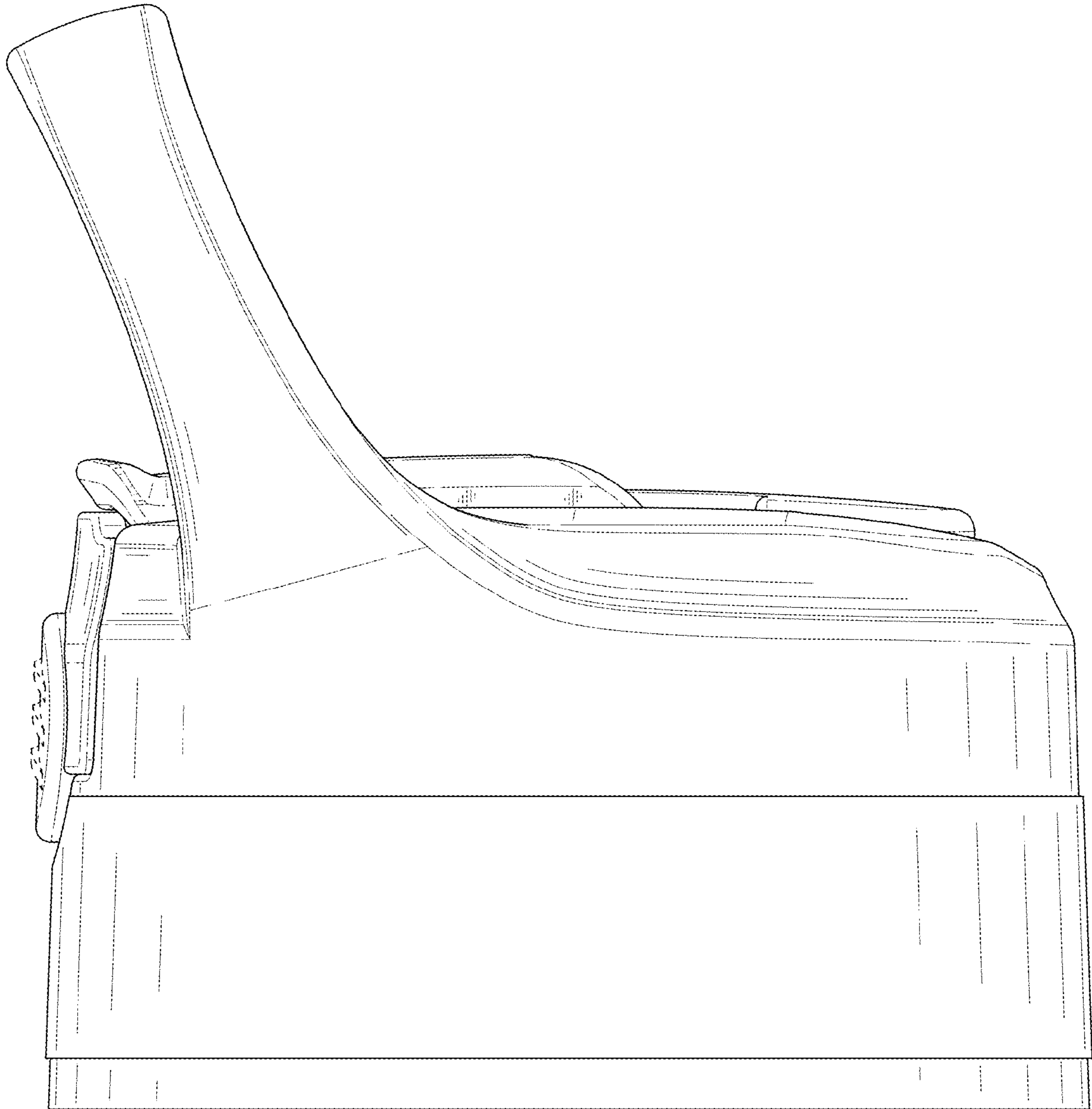


FIG. 5

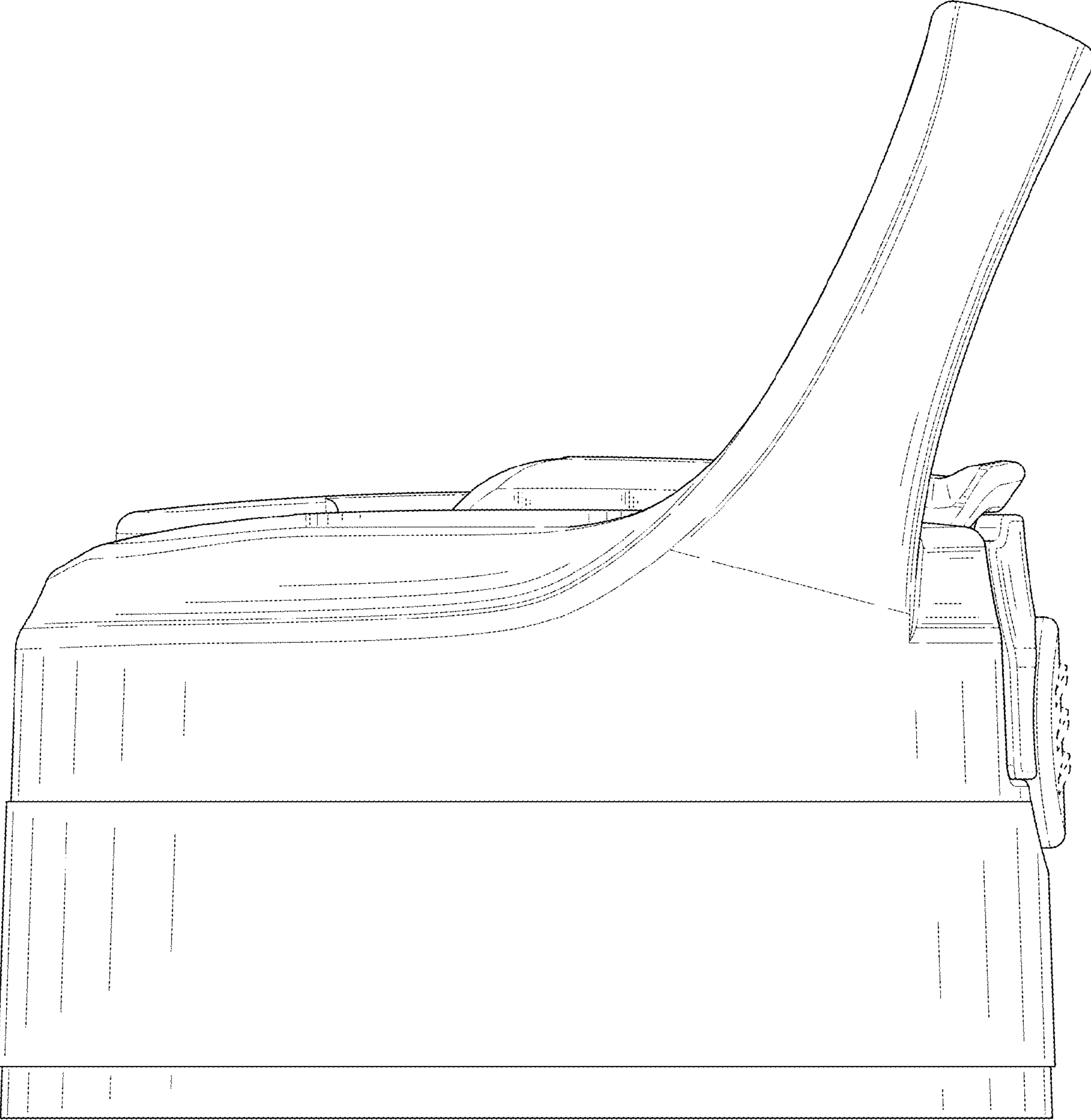


FIG. 6

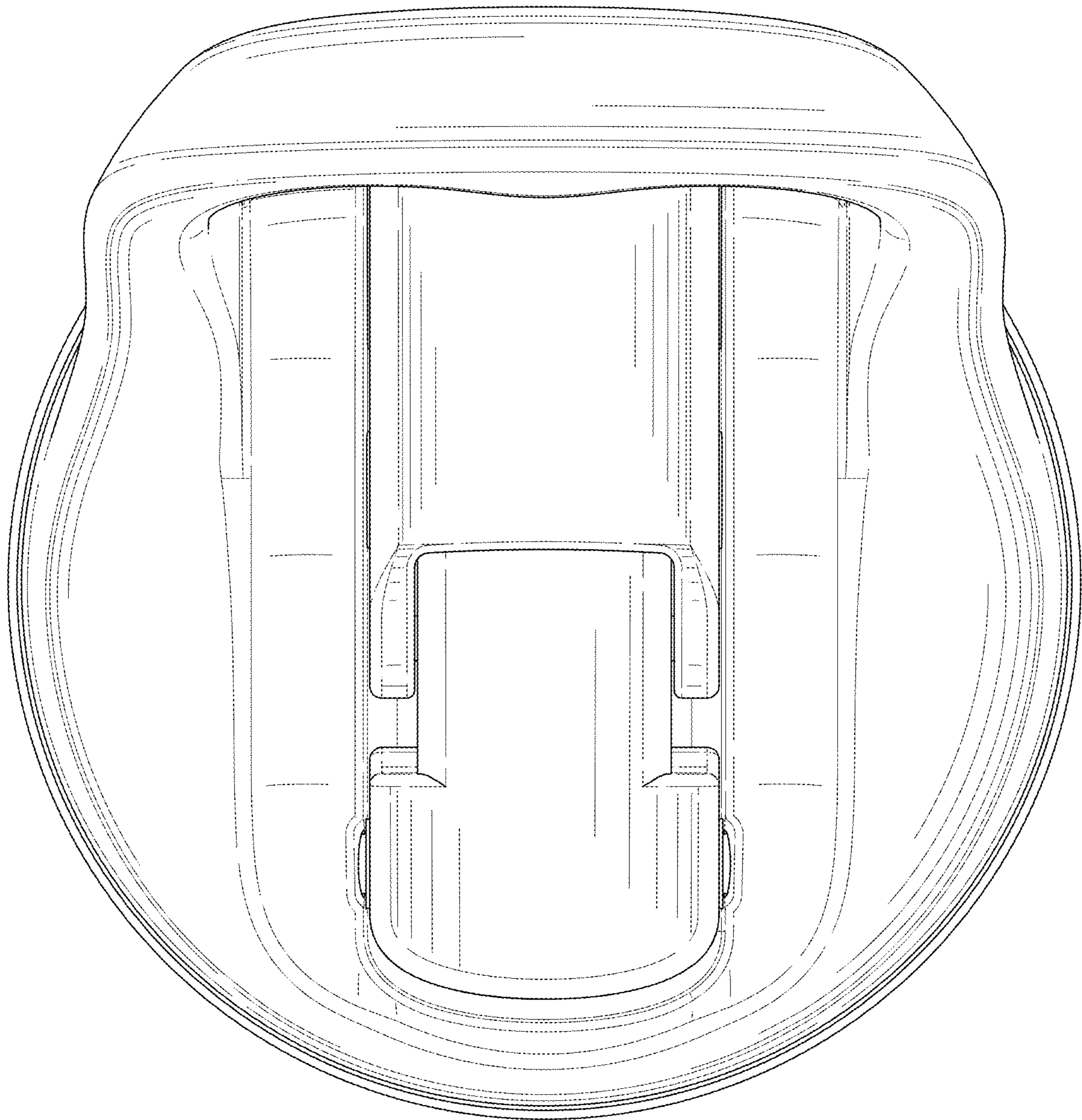


FIG. 7

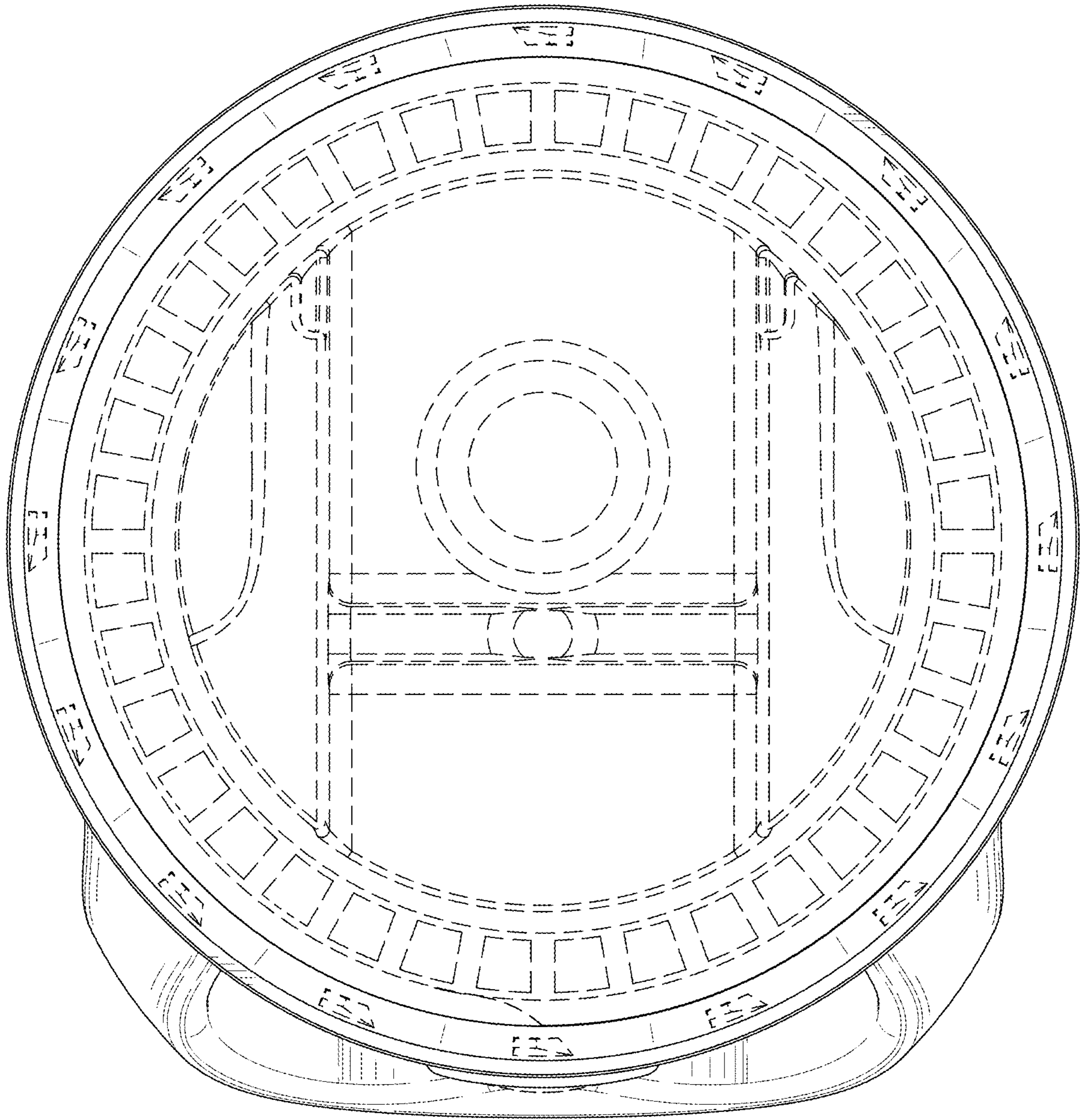


FIG. 8

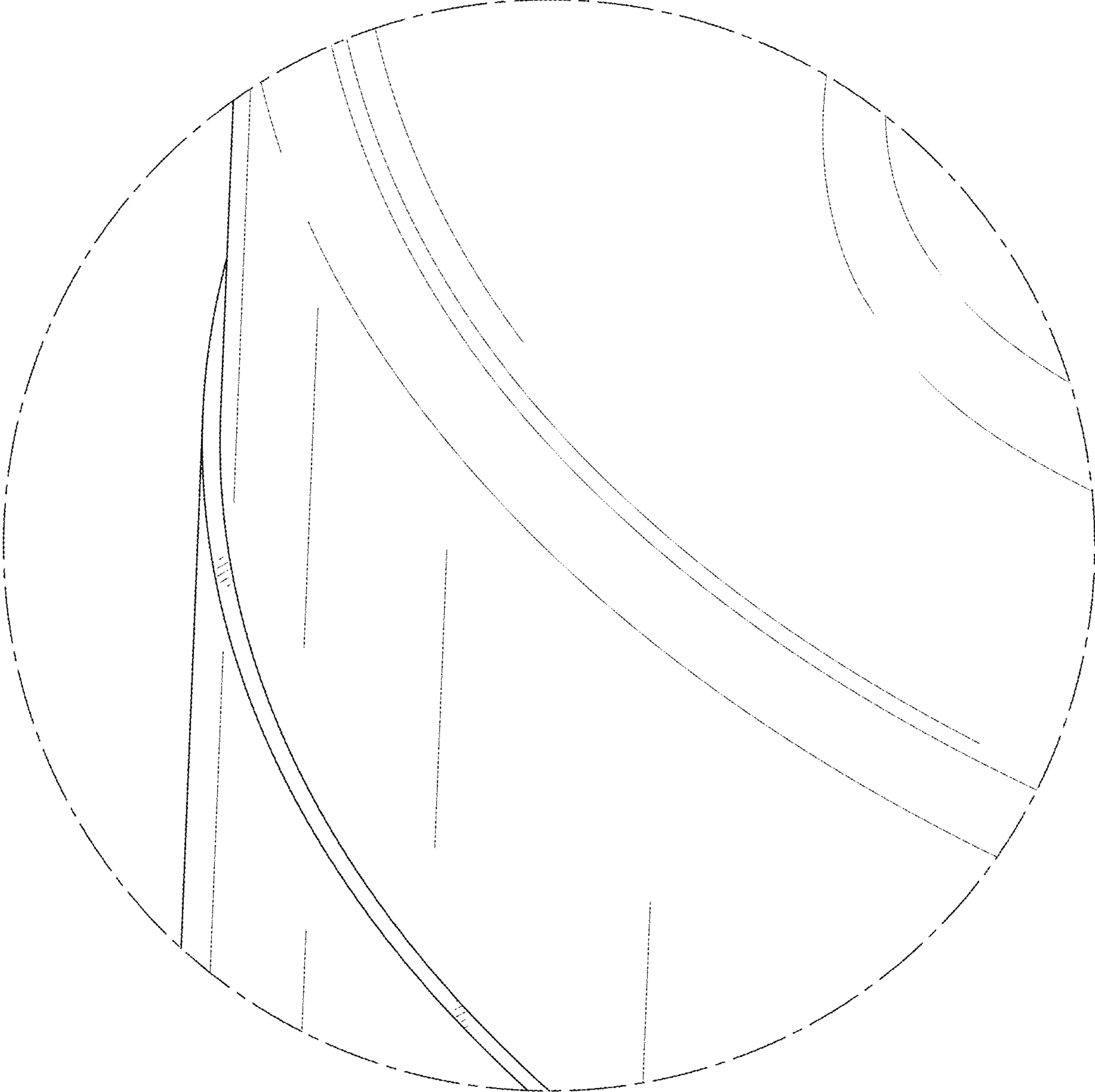


FIG. 9

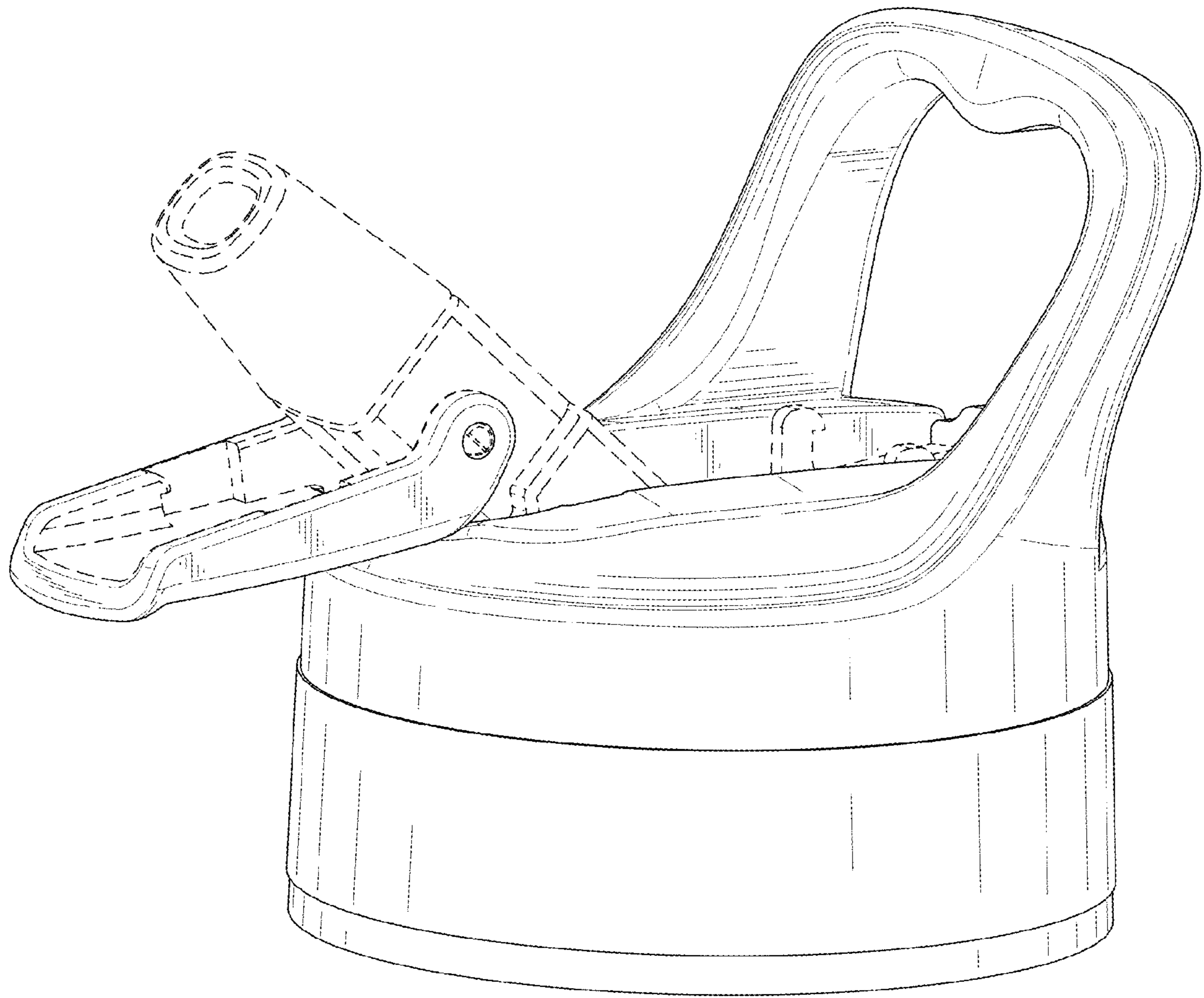


FIG. 10