



US00D945211S

(12) **United States Design Patent**  
**Yao**

(10) **Patent No.:** **US D945,211 S**  
(45) **Date of Patent:** **\*\* Mar. 8, 2022**

(54) **BOTTLE LID**

(71) Applicant: **Bader Almuhtadi**, Tampa, FL (US)

(72) Inventor: **Huajun Yao**, Hangzhou (CN)

(\*\*) Term: **15 Years**

(21) Appl. No.: **29/751,912**

(22) Filed: **Sep. 24, 2020**

(30) **Foreign Application Priority Data**

Apr. 3, 2020 (CN) ..... 202030126883.7

(51) **LOC (13) Cl.** ..... **07-99**

(52) **U.S. Cl.**  
USPC ..... **D7/392.1**

(58) **Field of Classification Search**  
USPC ..... D7/392, 392.1, 413, 509, 510, 534;  
D9/435, 447, 449  
CPC .... A47G 19/2272; A47G 19/22; B65D 43/02;  
B65D 47/08  
See application file for complete search history.

(56) **References Cited**

**U.S. PATENT DOCUMENTS**

D756,702 S \* 5/2016 Joseph ..... D7/392.1  
D802,993 S \* 11/2017 Joseph ..... D7/392.1  
D811,810 S \* 3/2018 Joseph ..... D7/392.1

D871,132 S \* 12/2019 Yao ..... D7/392.1  
D899,850 S \* 10/2020 Xie ..... D7/392.1  
D915,821 S \* 4/2021 Ludolph ..... D7/396.2  
D917,954 S \* 5/2021 Yao ..... D7/392  
D917,958 S \* 5/2021 Yao ..... D7/392  
D923,394 S \* 6/2021 Gu ..... D7/392.1  
D924,624 S \* 7/2021 Huang ..... D7/392.1  
D929,802 S \* 9/2021 Han ..... D7/392.1  
D938,223 S \* 12/2021 Chen ..... D7/392.1

\* cited by examiner

*Primary Examiner* — Karen S Acker  
*Assistant Examiner* — Steven B Reinholdt, Jr.

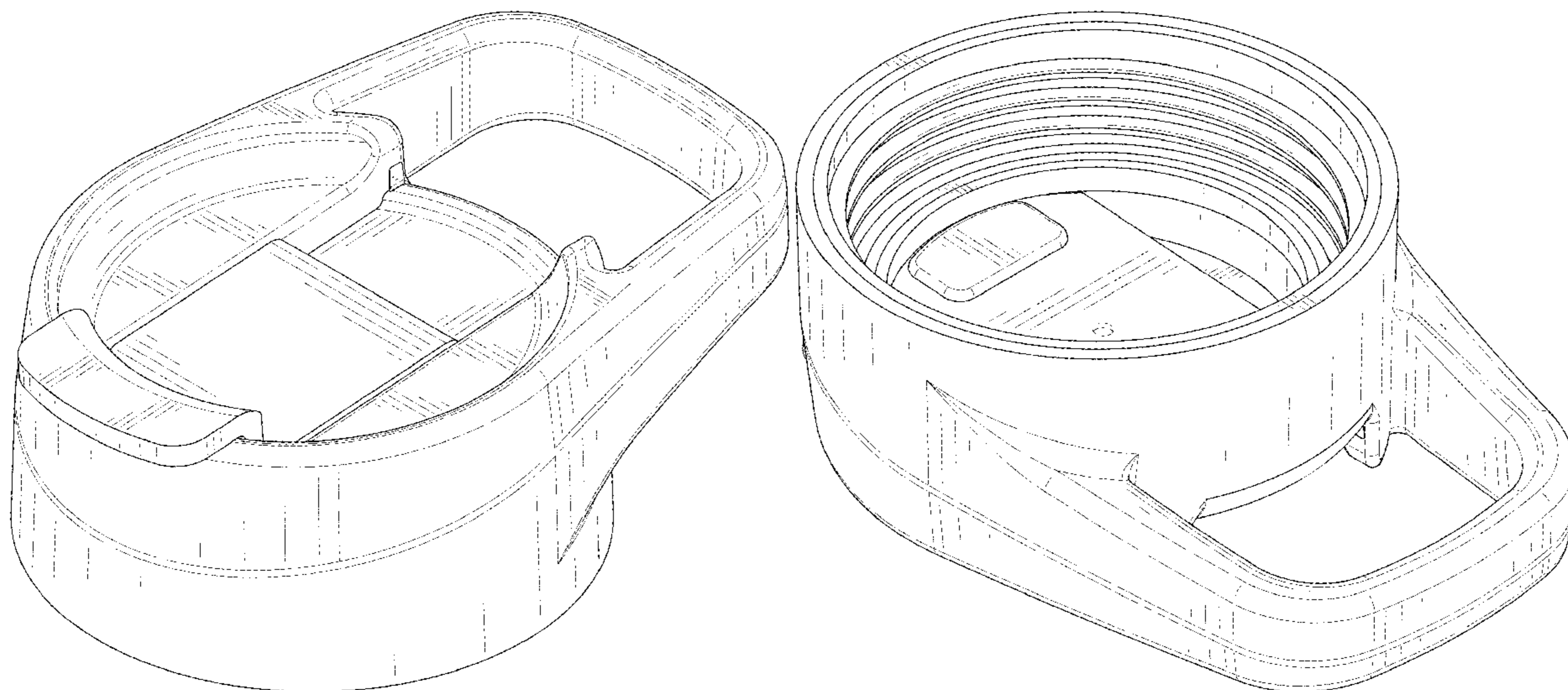
(57) **CLAIM**

The ornamental design for a bottle lid, as shown and described.

**DESCRIPTION**

FIG. 1 is a front and top perspective view of a bottle lid, showing my new design;  
FIG. 2 is a rear and bottom perspective view thereof;  
FIG. 3 is a front elevational view thereof;  
FIG. 4 is a rear elevational view thereof;  
FIG. 5 is a left side elevational view thereof;  
FIG. 6 is a right side elevational view thereof;  
FIG. 7 is a top plan view thereof; and,  
FIG. 8 is a bottom plan view thereof.  
The broken lines in the figures illustrate portions of the article that form no part of the claimed design.

**1 Claim, 8 Drawing Sheets**



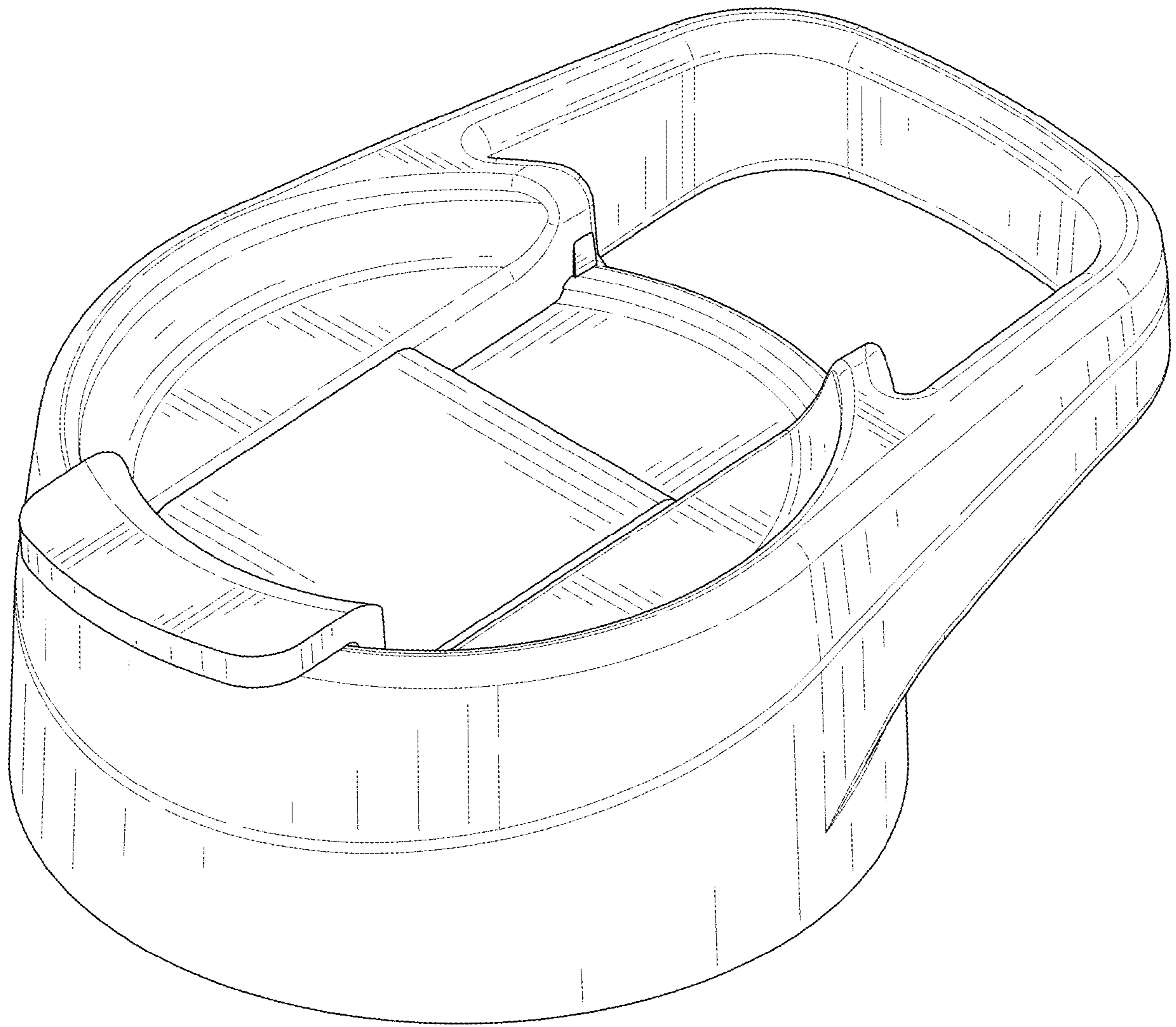


FIG. 1

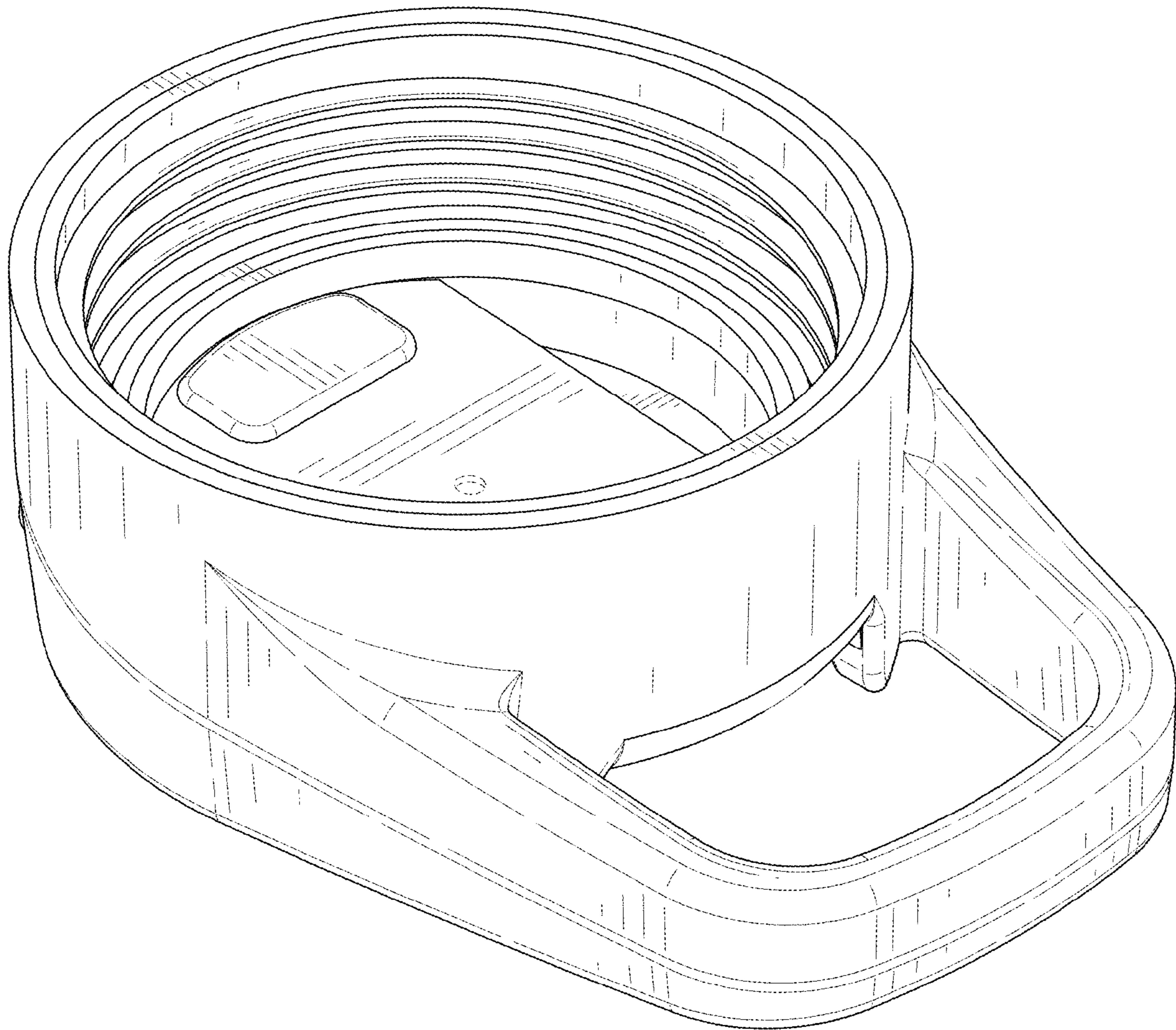


FIG. 2



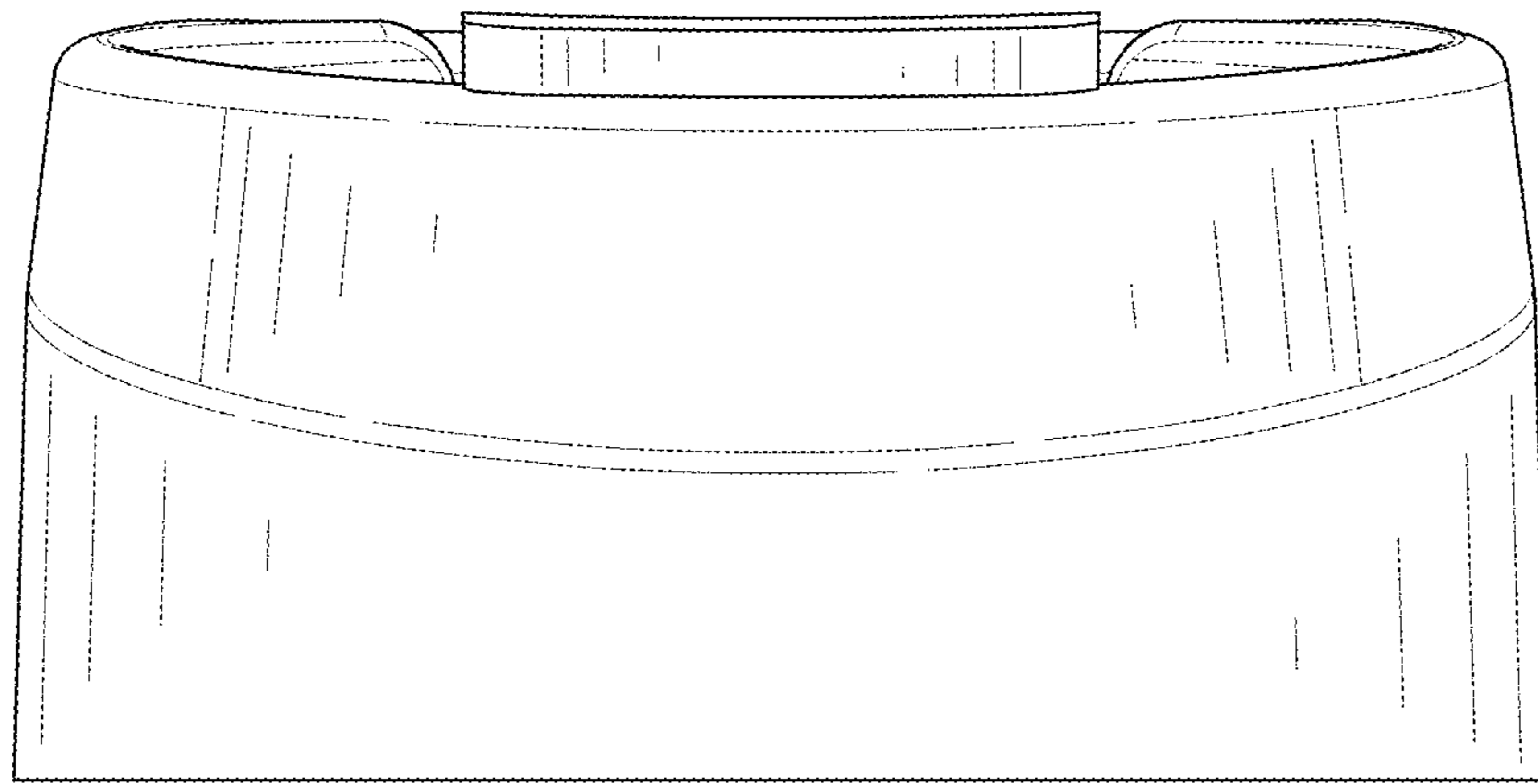


FIG. 3

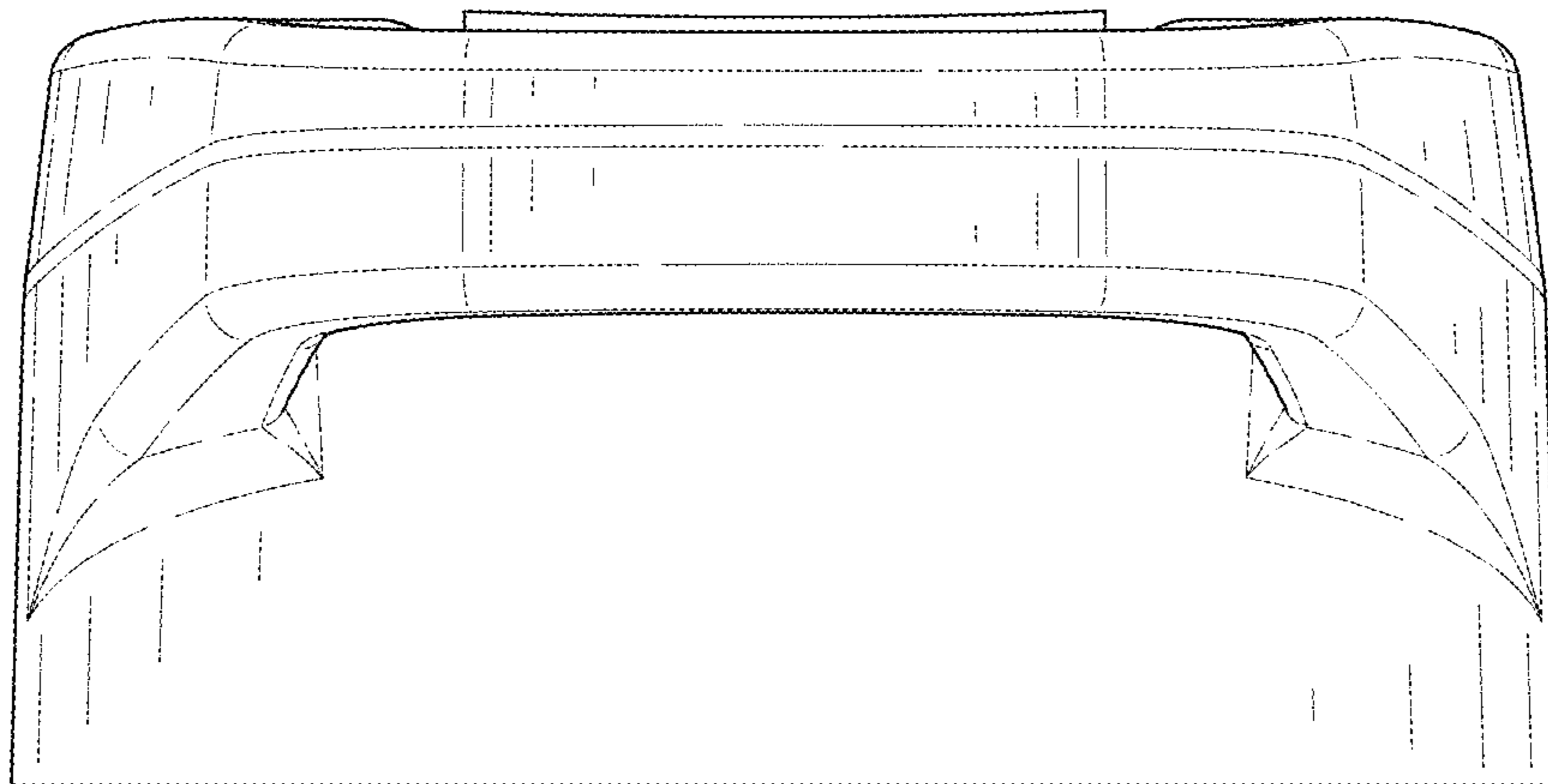


FIG. 4

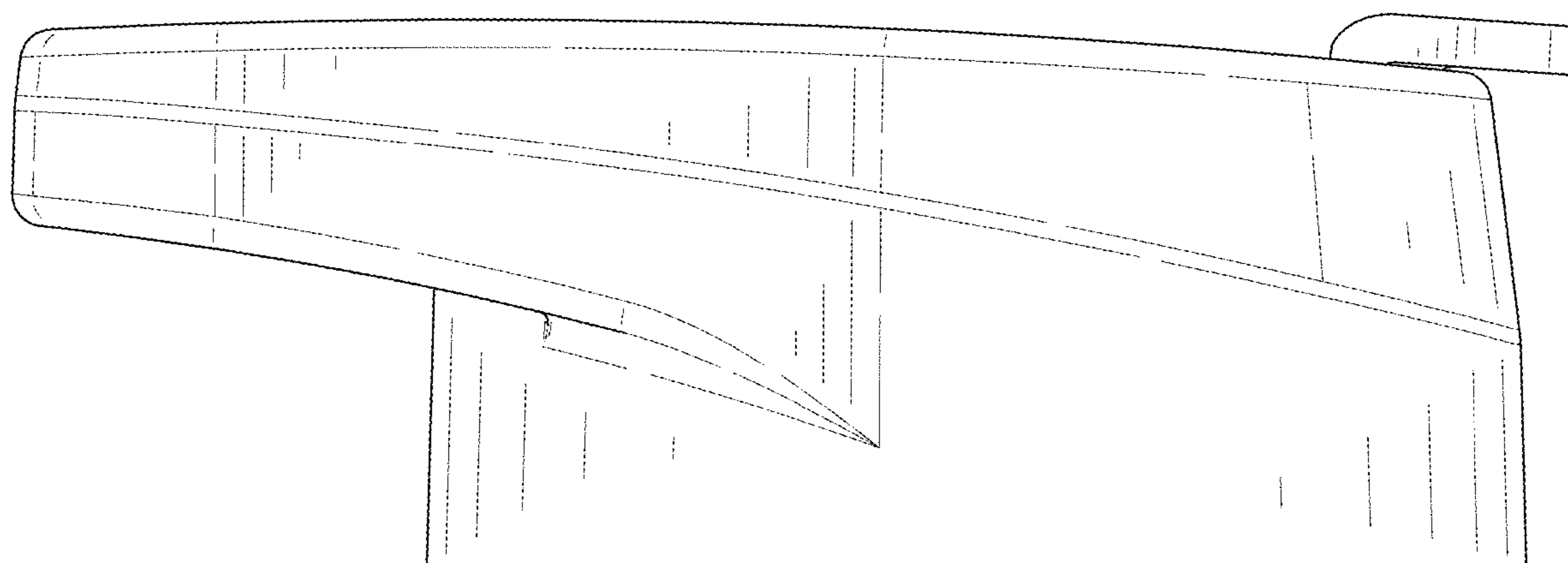


FIG. 5

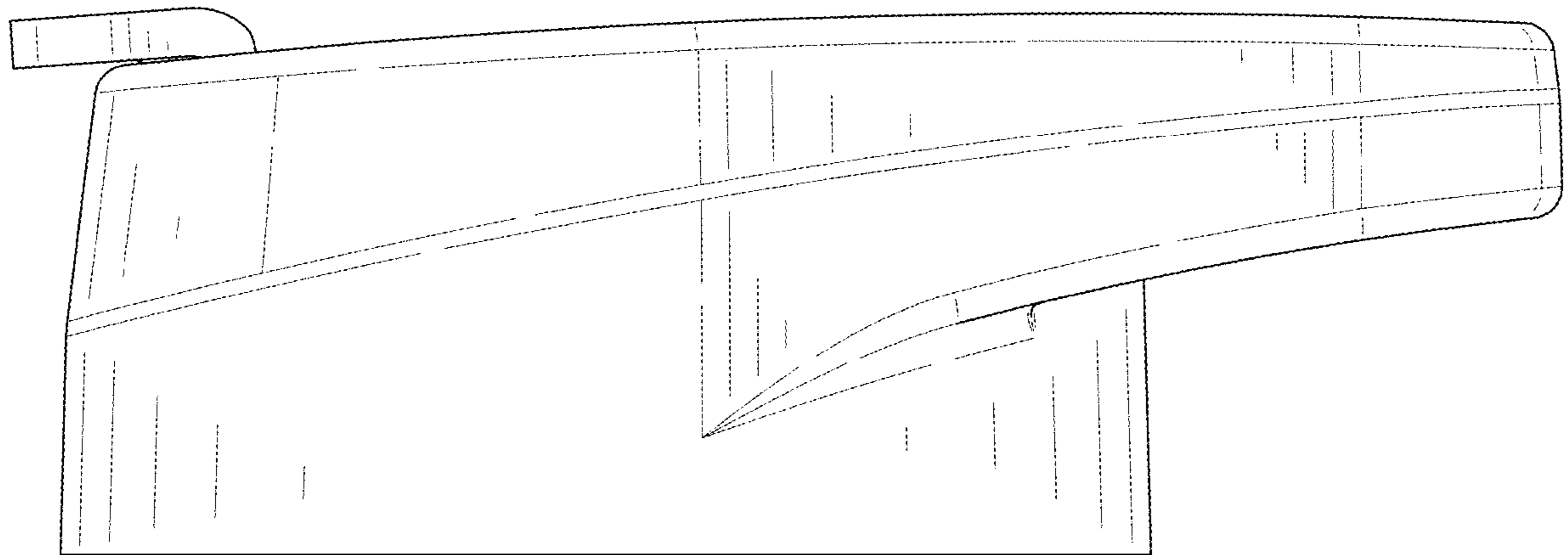


FIG. 6

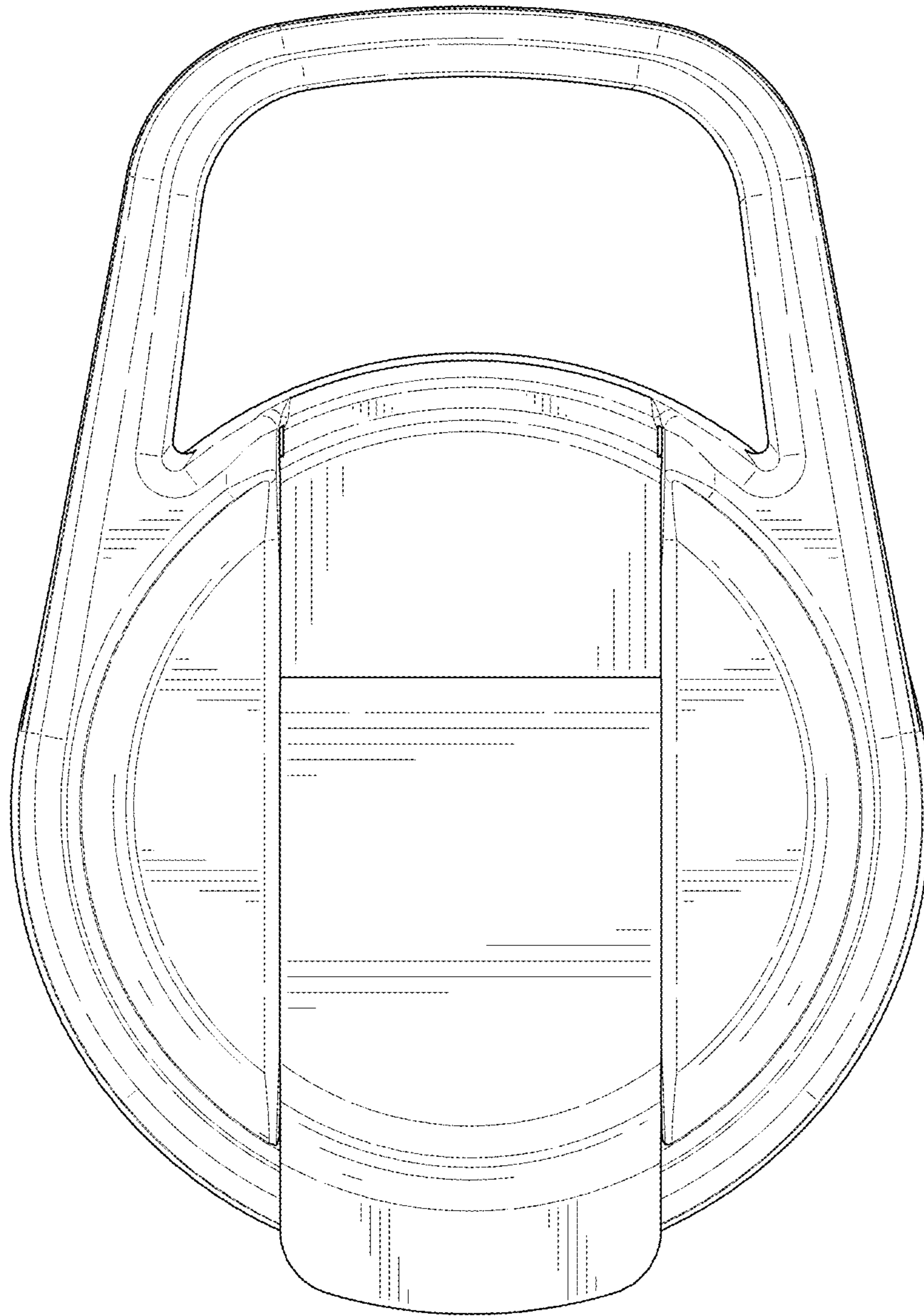


FIG. 7



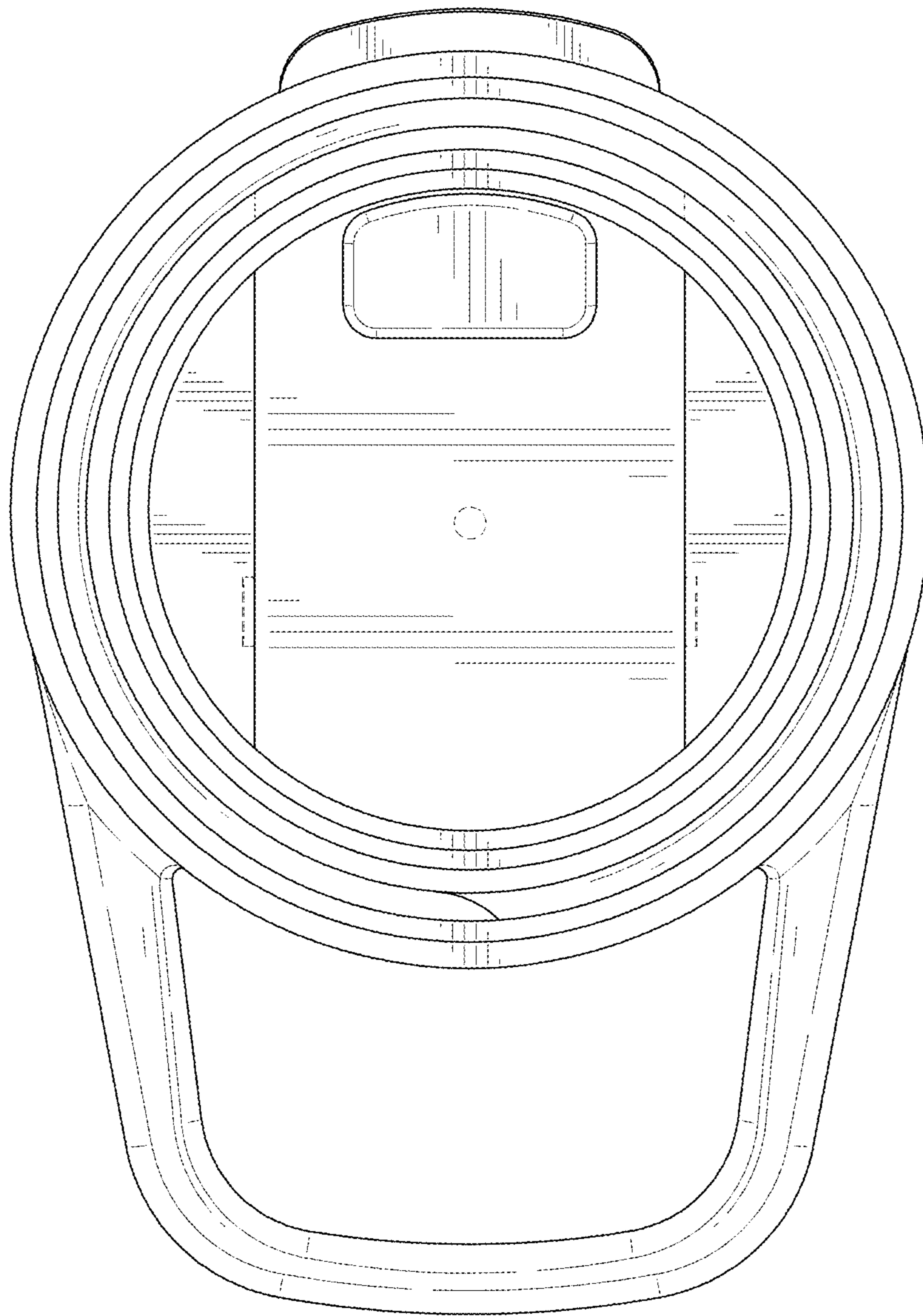


FIG. 8