



US00D945210S

(12) **United States Design Patent**
Ni

(10) **Patent No.:** **US D945,210 S**

(45) **Date of Patent:** **** Mar. 8, 2022**

(54) **LID FOR BEVERAGE CONTAINER**

(71) Applicant: **Zhenming Ni**, San Marino, CA (US)

(72) Inventor: **Zhenming Ni**, San Marino, CA (US)

(**) Term: **15 Years**

(21) Appl. No.: **29/750,850**

(22) Filed: **Sep. 16, 2020**

(51) **LOC (13) Cl.** **09-07**

(52) **U.S. Cl.**
USPC **D7/392.1; D9/443**

(58) **Field of Classification Search**
USPC D9/435, 439, 440, 442-449, 450, 454,
D9/531, 682-694, 723; D7/321, 391,
D7/392, 392.1, 396.2, 507, 509-511, 523,
D7/608, 900; D6/515
CPC B65D 83/205; B65D 83/206; B65D 83/40;
B65D 2543/00046; A47G 19/2272
See application file for complete search history.

(56) **References Cited**

U.S. PATENT DOCUMENTS

D719,780 S *	12/2014	Sullivan	D7/392.1
D763,688 S *	8/2016	Breit	D9/443
D817,084 S *	5/2018	Hammer	D7/392.1
D824,721 S *	8/2018	Hu	D7/392.1
D830,783 S *	10/2018	Diener	D7/608
D846,392 S *	4/2019	Markey	D9/447
D847,563 S *	5/2019	Jacobsen	D7/396.2
D858,181 S *	9/2019	Lown	D7/392.1
D870,509 S *	12/2019	Bo	D7/392.1
D875,466 S *	2/2020	Diener	D7/396.2
D878,147 S *	3/2020	Berresheim	D7/392.1
D878,855 S *	3/2020	Nucci	D7/392.1
D886,517 S *	6/2020	Bo	D7/392.1
D889,198 S *	7/2020	Shepard	D7/396.2
D889,199 S *	7/2020	Shepard	D7/396.2
D892,547 S *	8/2020	Hung	D7/396.2
D894,669 S *	9/2020	Lane	D7/392

D897,761 S *	10/2020	Zhang	D7/392.1
D897,763 S *	10/2020	Feng	D7/392.1
D898,507 S *	10/2020	Ekblom	D7/392.1
D901,977 S *	11/2020	Crampton	D7/511
D903,404 S *	12/2020	Bram	D7/392.1
D906,042 S *	12/2020	Chen	D7/392.1
D911,100 S *	2/2021	Chen	D7/392.1
D914,456 S *	3/2021	Lin	D7/511
D920,037 S *	5/2021	Wadsworth	D7/392.1
D920,041 S *	5/2021	Chen	D7/396.2
D920,739 S *	6/2021	Omdahl, II	D7/392.1
D921,422 S *	6/2021	McCabe	D7/392.1
D922,136 S *	6/2021	Lin	D7/392.1
D935,266 S *	11/2021	Chen	D7/392.1

* cited by examiner

Primary Examiner — Brett Miller

Assistant Examiner — Rani J Abdallah

(74) *Attorney, Agent, or Firm* — Tsz Lung Yeung

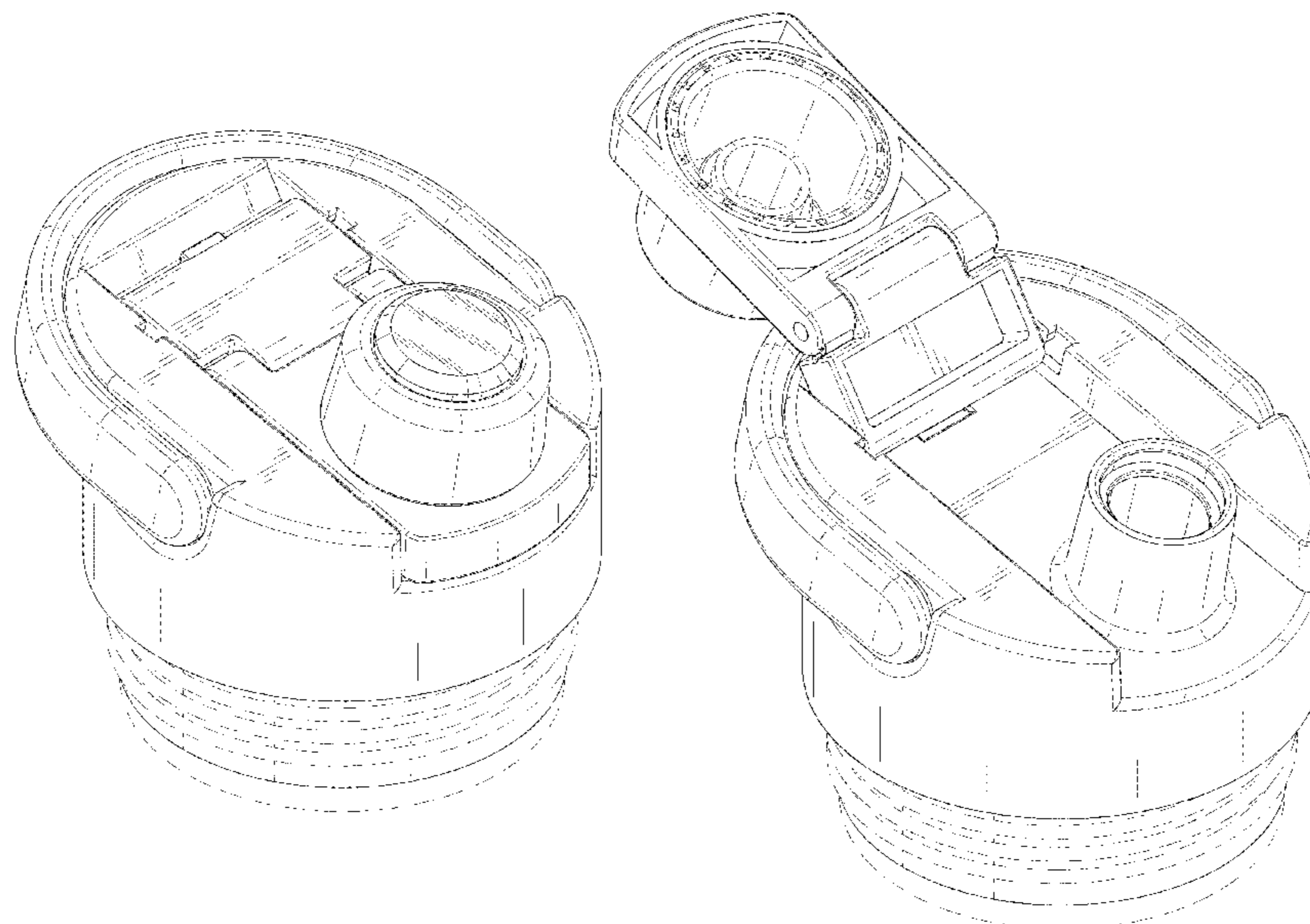
(57) **CLAIM**

The ornamental design for a lid for beverage container, as shown and described.

DESCRIPTION

FIG. 1 is a perspective view of a lid for beverage container showing my new design;
 FIG. 2 is a front view thereof;
 FIG. 3 is a rear view thereof;
 FIG. 4 is a left side view thereof;
 FIG. 5 is a right side view thereof;
 FIG. 6 is a top view thereof;
 FIG. 7 is a bottom view thereof;
 FIG. 8 is a perspective view thereof, shown in an open position; and,
 FIG. 9 is a perspective view thereof, shown in a carrying position.
 The broken lines depict portions of the lid for beverage container that form no part of the claimed design.

1 Claim, 9 Drawing Sheets



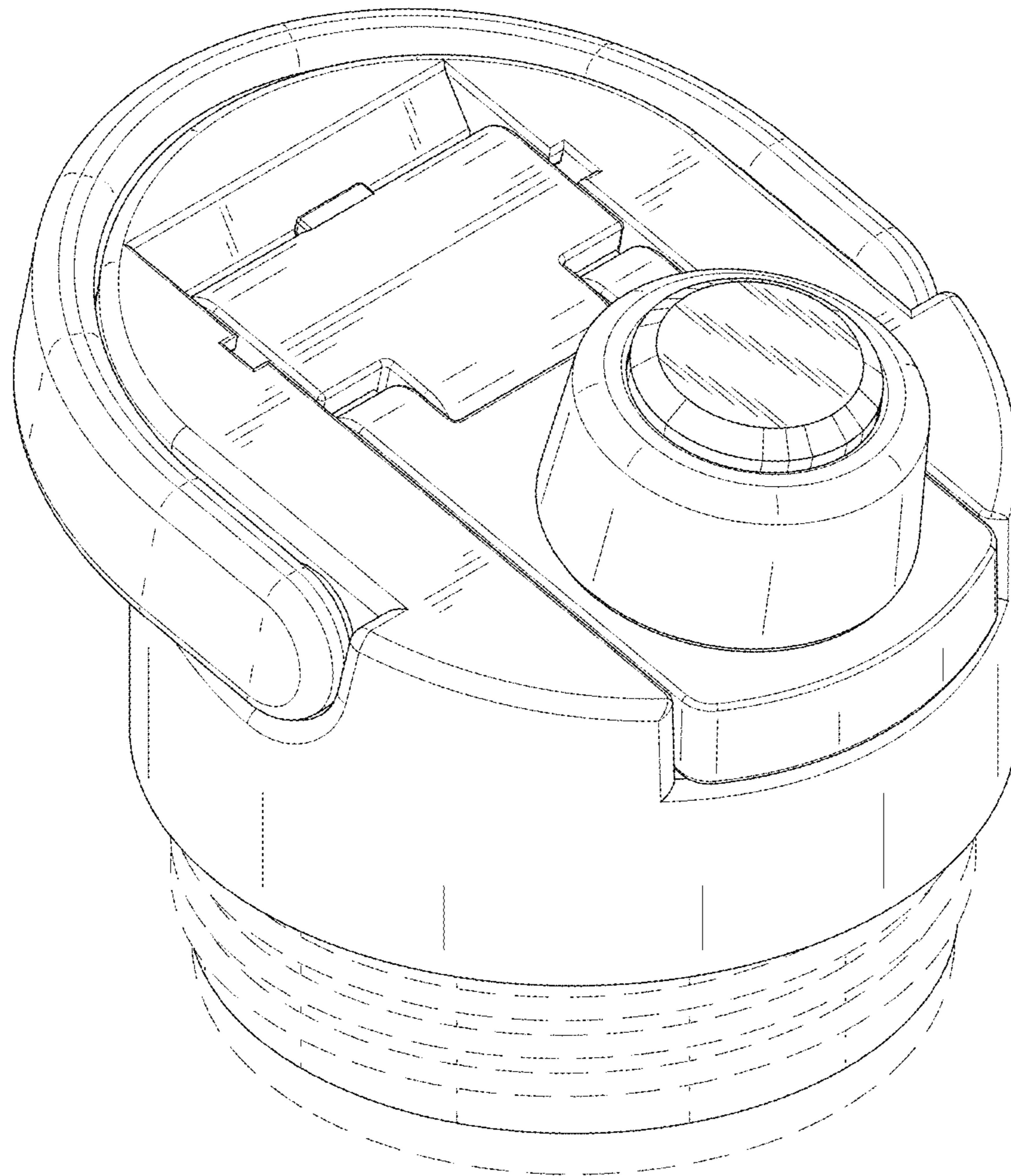


FIG. 1

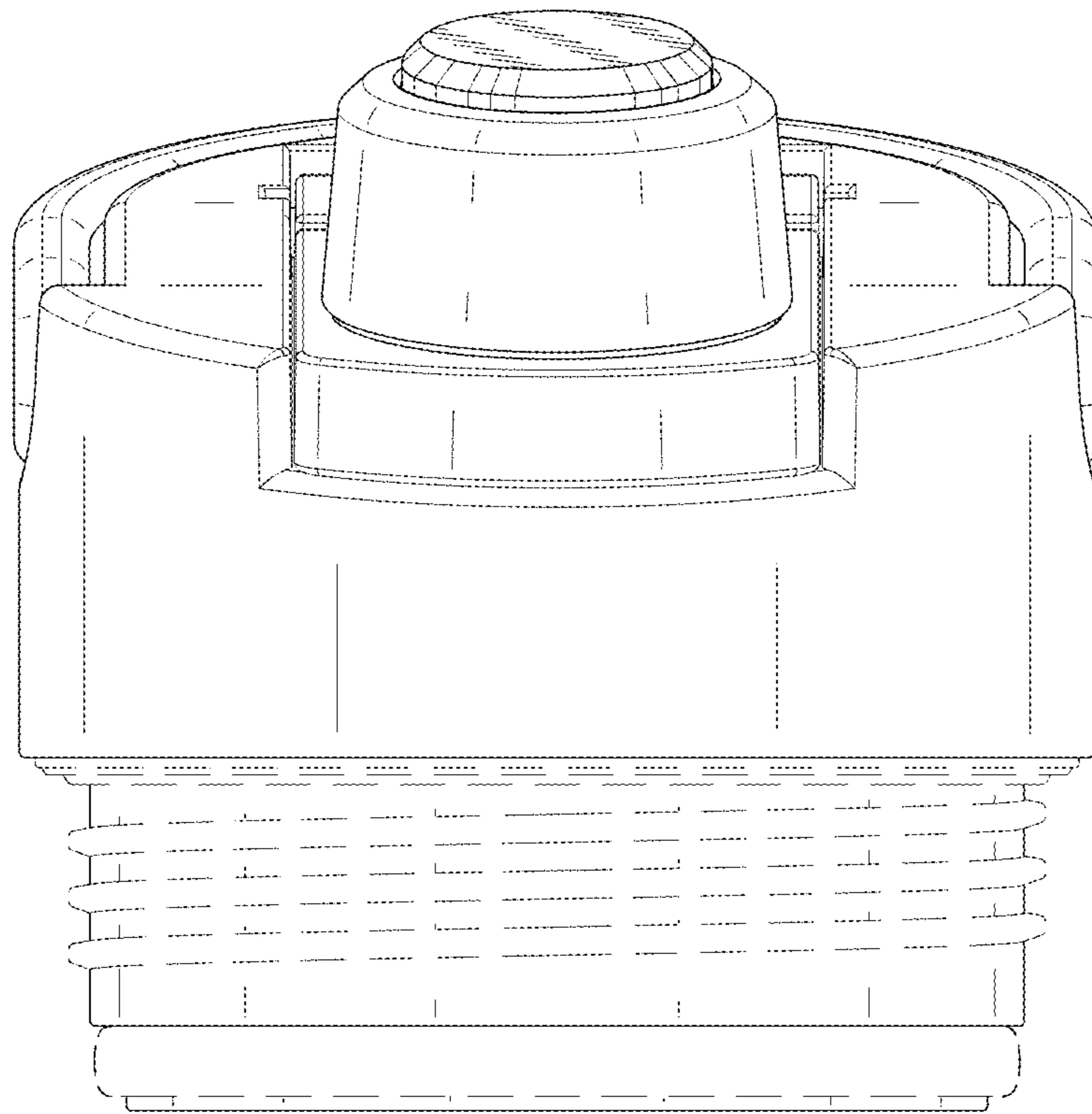


FIG. 2

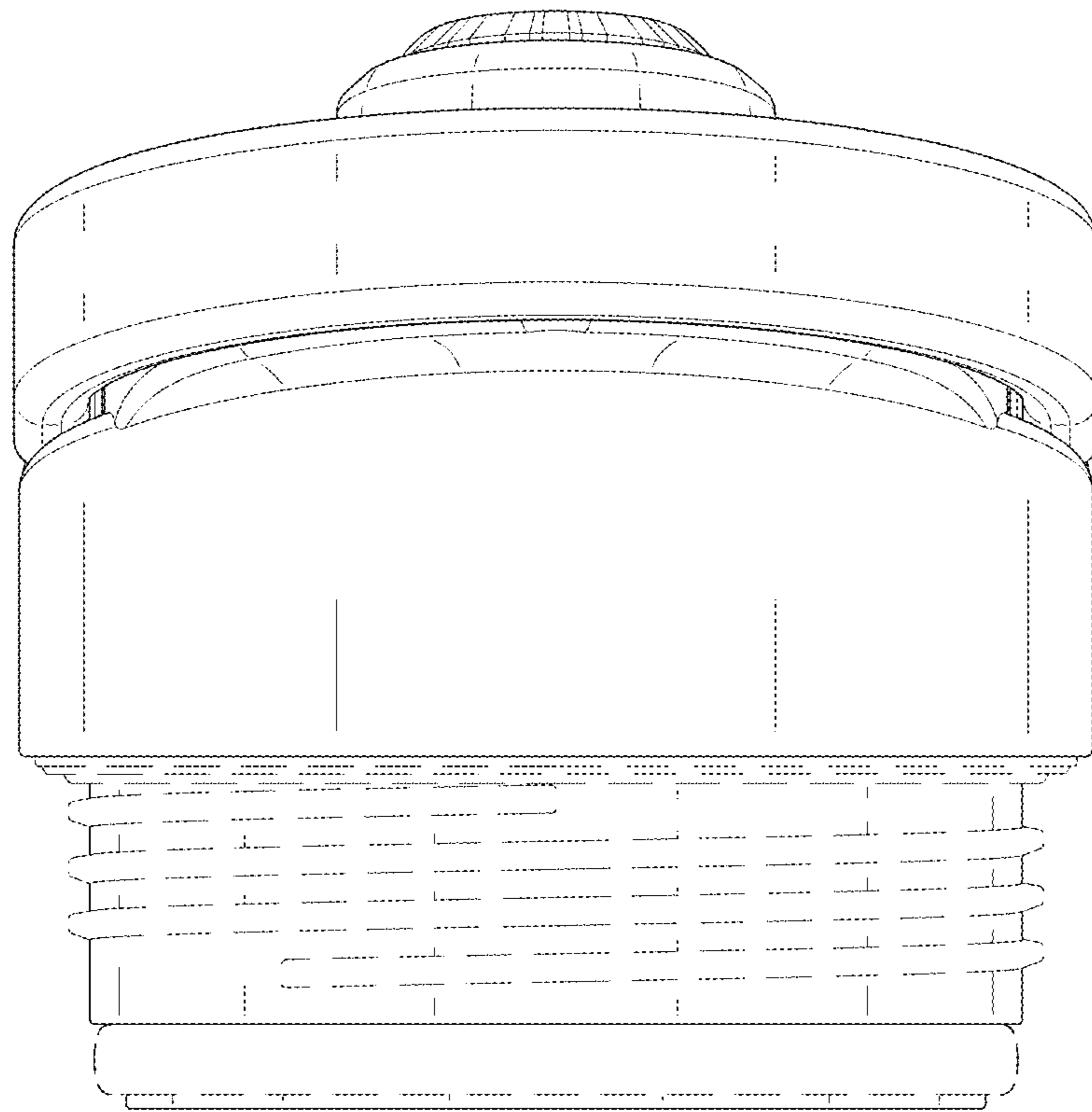


FIG. 3

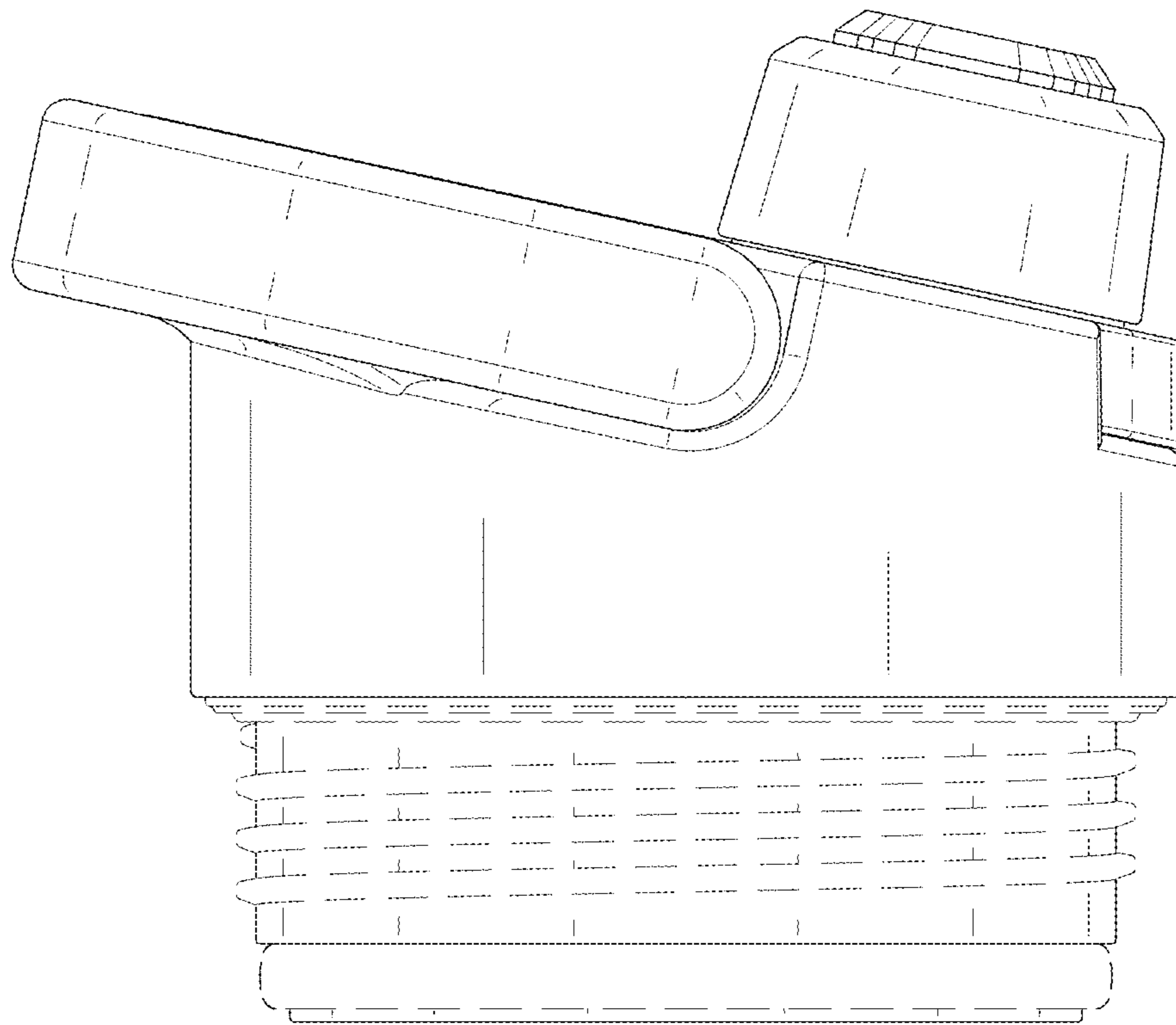


FIG.4

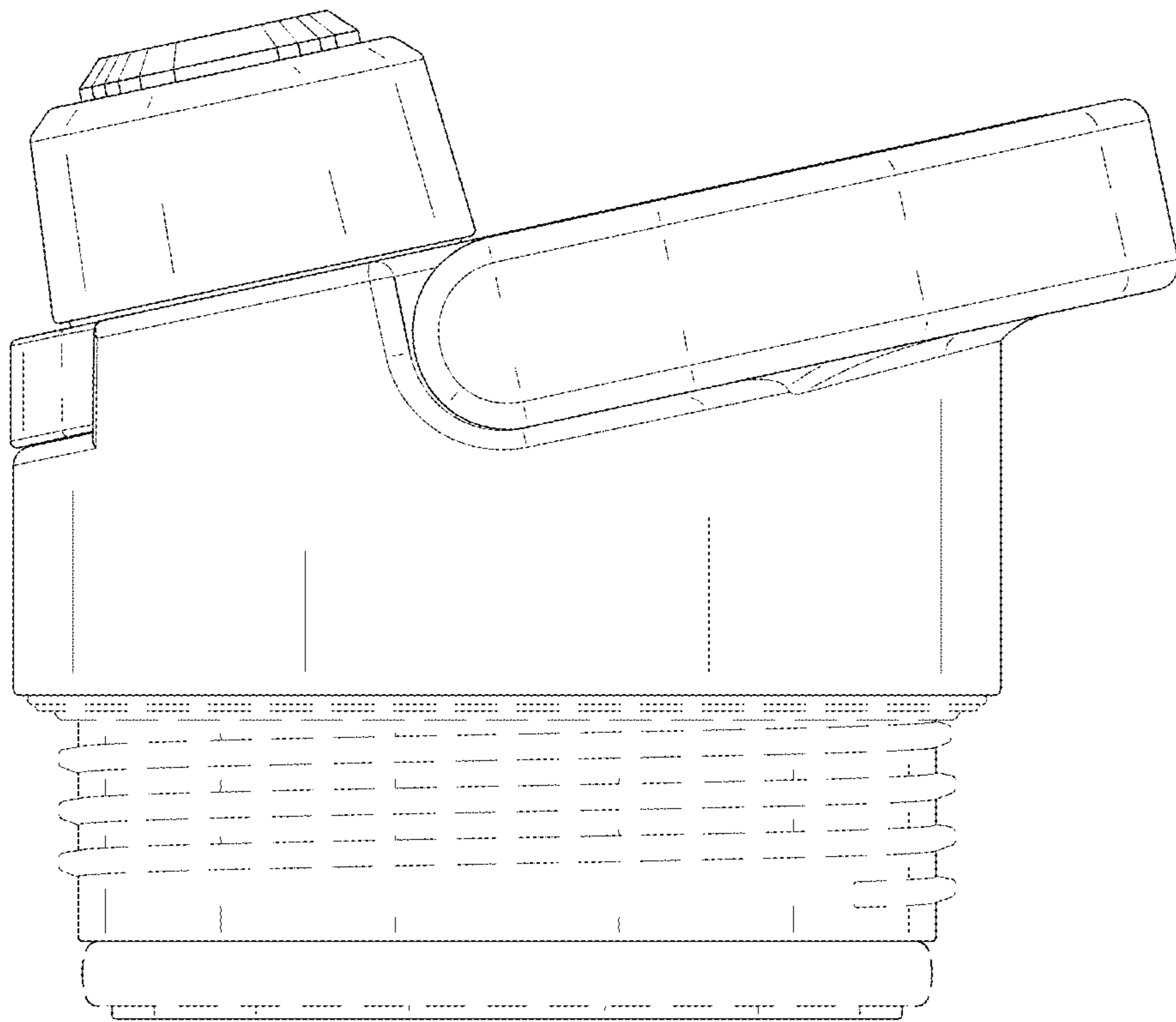


FIG. 5

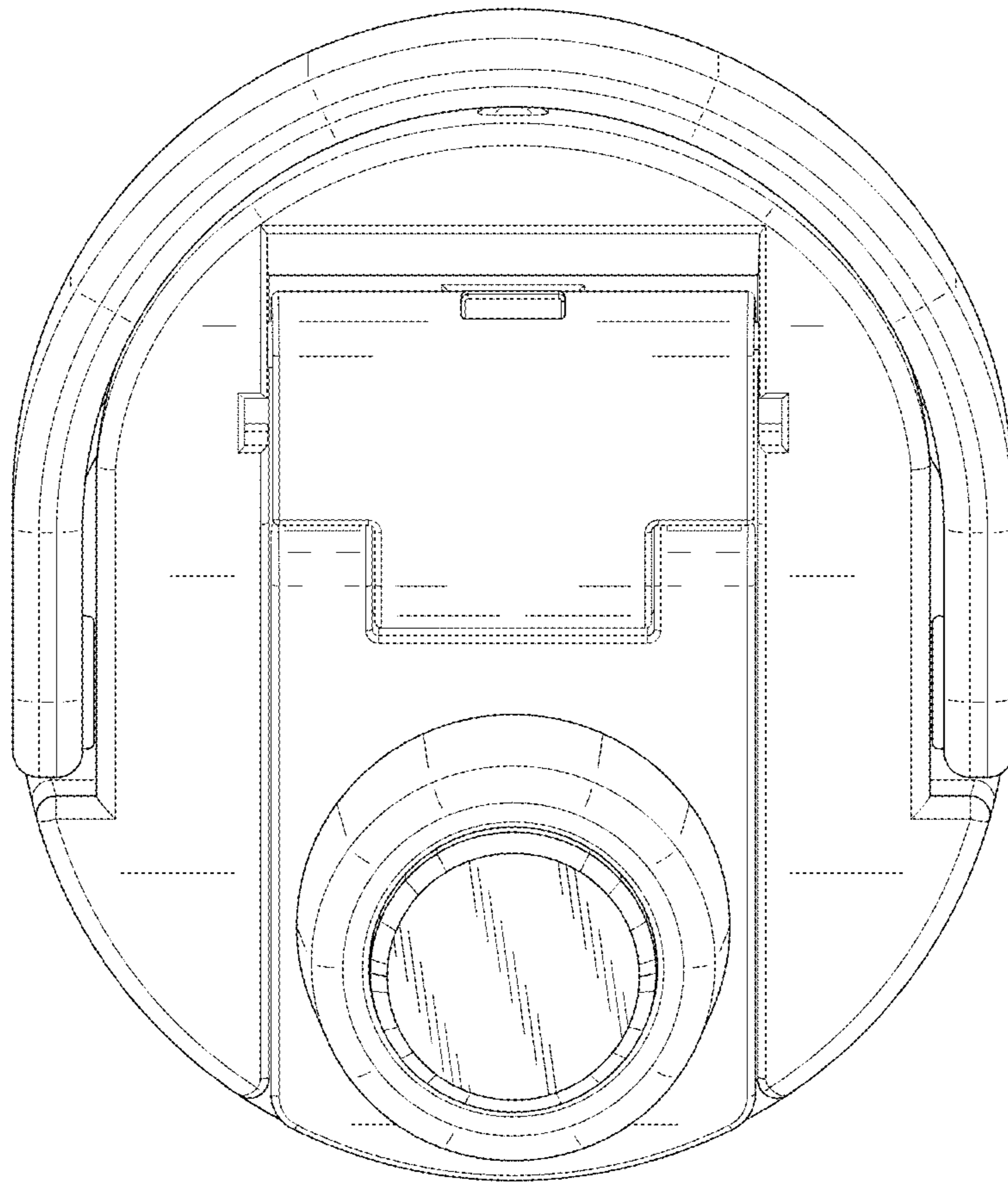


FIG. 6

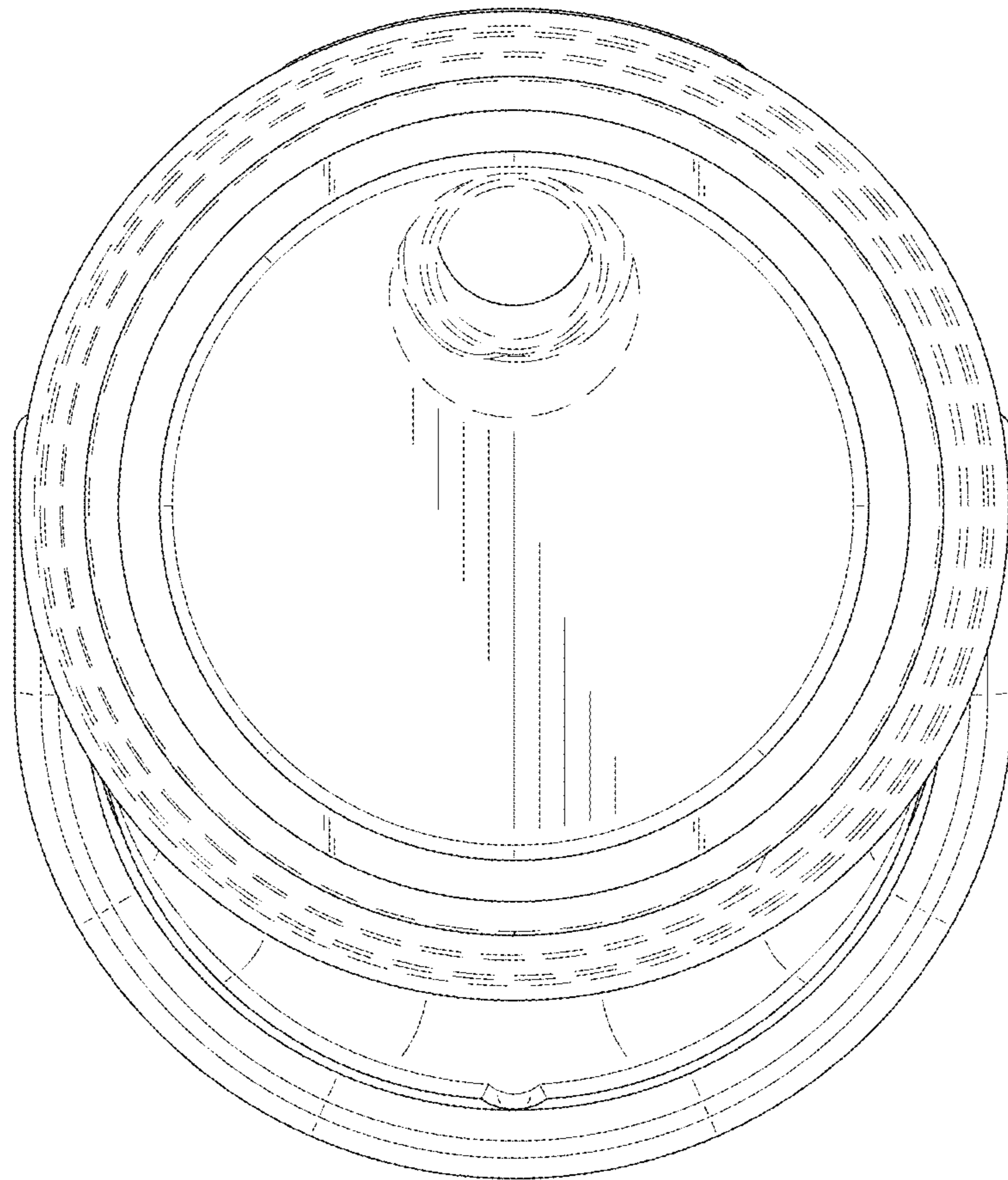


FIG. 7

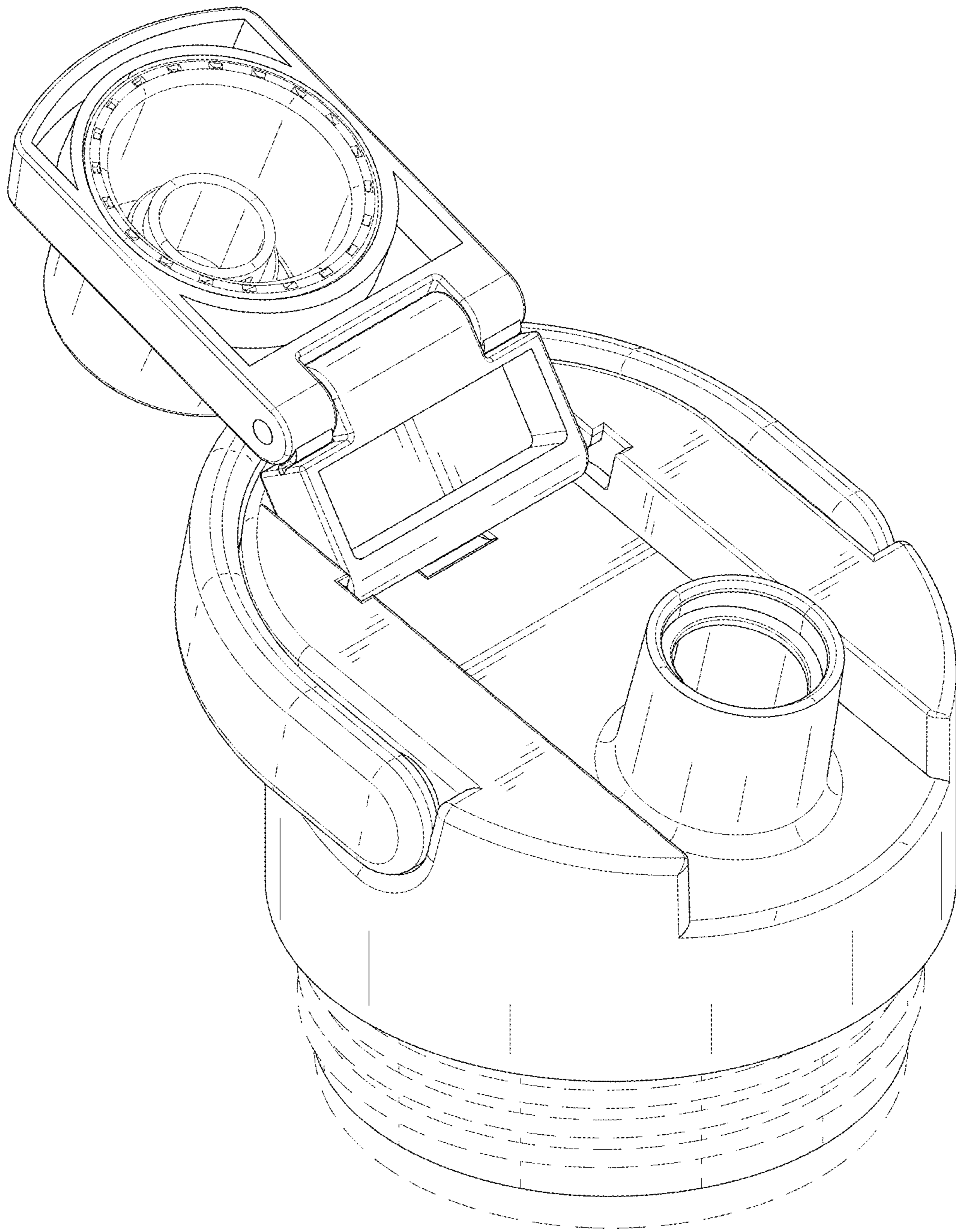


FIG. 8

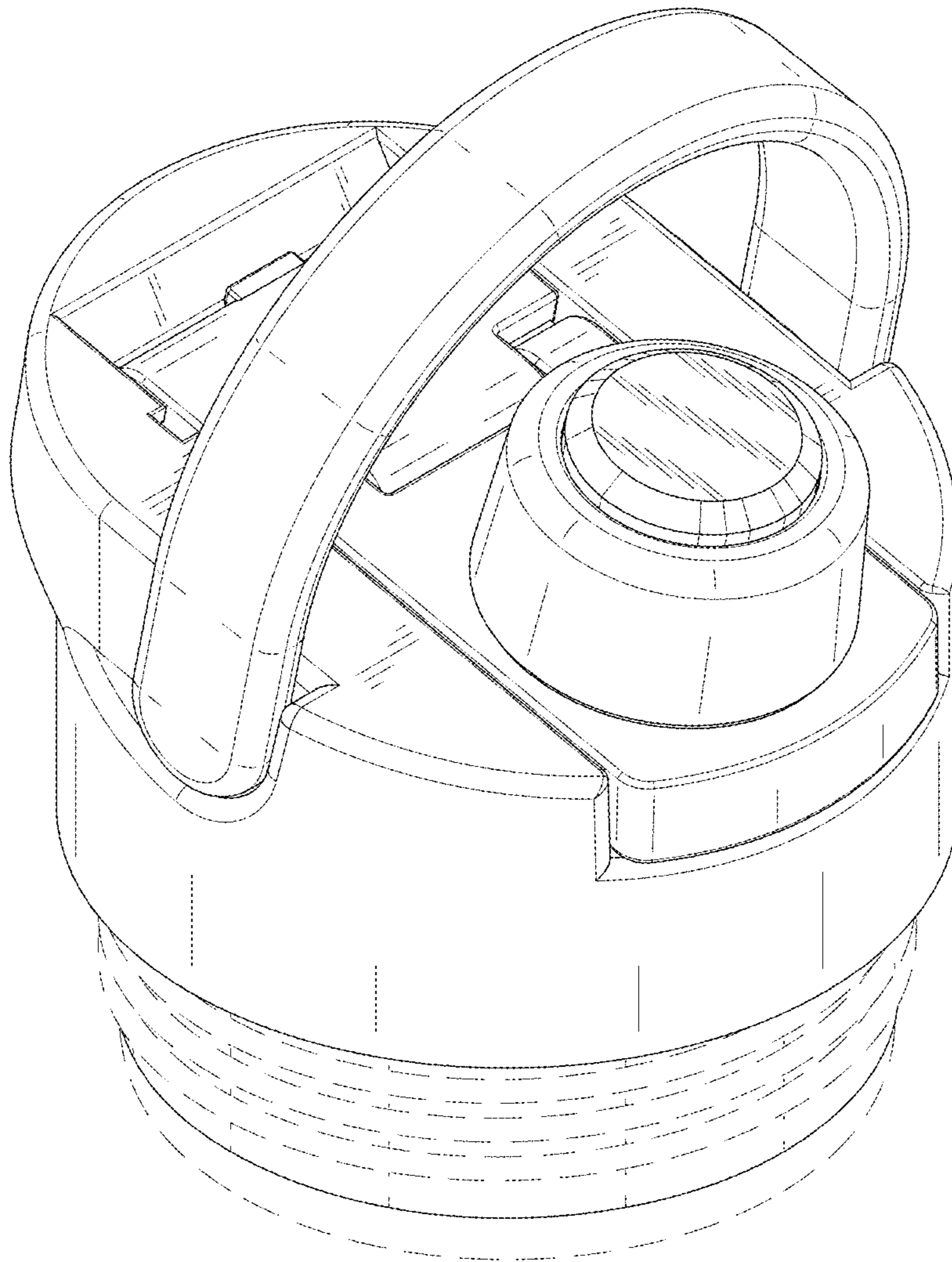


FIG. 9