



US00D945209S

(12) **United States Design Patent**
Buffagni

(10) **Patent No.:** **US D945,209 S**

(45) **Date of Patent:** **** Mar. 8, 2022**

(54) **GRILL**
(71) Applicant: **WE GRILL AND MORE S.R.L.**,
Modena (IT)
(72) Inventor: **Carlo Alberto Buffagni**, Sassuolo (IT)
(**) Term: **15 Years**
(21) Appl. No.: **35/509,435**
(22) Filed: **Jan. 8, 2020**
(80) **Hague Agreement Data**
Int. Filing Date: **Jan. 8, 2020**
Int. Reg. No.: **DM/208121**
Int. Reg. Date: **Jan. 8, 2020**
Int. Reg. Pub. Date: **May 22, 2020**

(51) **LOC (13) Cl.** **07-02**
(52) **U.S. Cl.**
USPC **D7/350.1**

(58) **Field of Classification Search**
USPC D7/300, 309, 323, 332, 337, 347, 348,
D7/350.1, 351, 362, 363, 368, 372, 376,
D7/381, 383, 384, 401, 509, 510, 526,
D7/543, 590, 600, 600.1, 600.2, 600.3,
D7/665, 671, 673, 678, 679, 680, 683,
D7/688, 693, 695, 696
See application file for complete search history.

(56) **References Cited**
U.S. PATENT DOCUMENTS
1,796,033 A * 3/1931 Lee F24B 1/202
126/9 R
2,806,463 A * 9/1957 Smith A47J 37/0704
126/25 A
2,851,575 A * 9/1958 Walston F24C 7/00
99/390
2,866,883 A * 12/1958 Borden A47J 37/0709
126/25 B

2,997,041 A * 8/1961 Wolske F24C 15/022
126/191
4,238,668 A * 12/1980 Mammen F24C 7/00
165/96
4,496,827 A * 1/1985 Sturdevant H01T 19/04
165/96
D290,923 S * 7/1987 Erickson D7/337
D291,399 S * 8/1987 Chan F24C 15/022
D7/337
D476,846 S * 7/2003 Piret D7/351
D479,092 S * 9/2003 Lewis F24C 7/06
D7/332
D680,794 S * 4/2013 Chung D7/332
D724,888 S * 3/2015 Lee D7/340
D775,489 S * 1/2017 Zemel D7/332
D781,634 S * 3/2017 Koszylko D7/348
9,848,732 B2 * 12/2017 Yang A47J 37/0647
D821,814 S * 7/2018 Carcano D7/405
D835,450 S * 12/2018 Prentice D7/348
D858,172 S * 9/2019 Moore D7/348
D862,161 S * 10/2019 Seo D7/402
D862,162 S * 10/2019 Lee D7/402
D889,184 S * 7/2020 Barqueros Lopez D7/339

(Continued)

Primary Examiner — Karen S Acker

(57) **CLAIM**

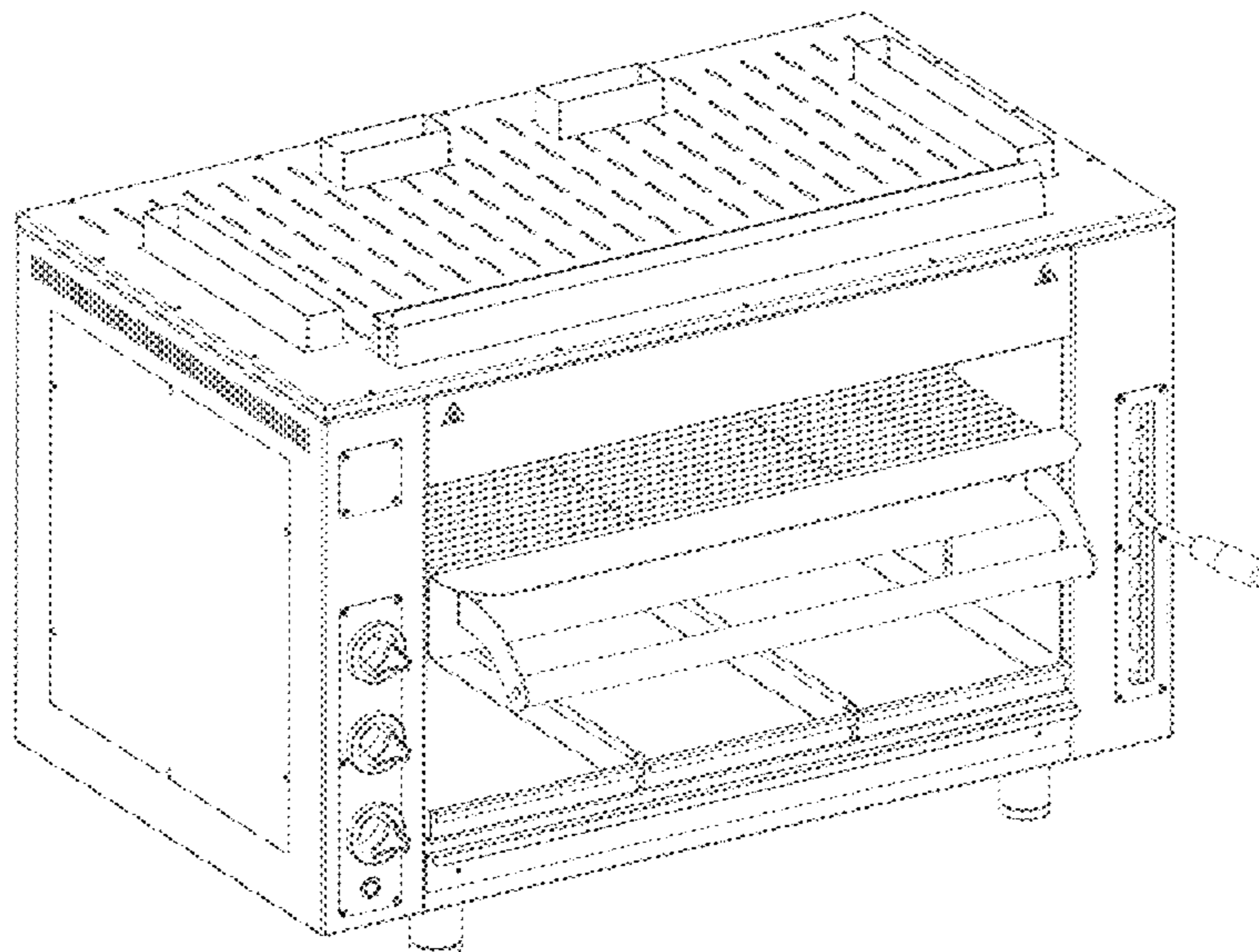
The ornamental design for a grill, as shown and described.

DESCRIPTION

- 1.1-1.7 Grill
- 1.1 : Perspective
- 1.2 : Front
- 1.3 : Back
- 1.4 : Left
- 1.5 : Right
- 1.6 : Top
- 1.7 : Bottom

The broken lines and areas within them depict portions of the grill that form no part of the claimed design.

1 Claim, 7 Drawing Sheets



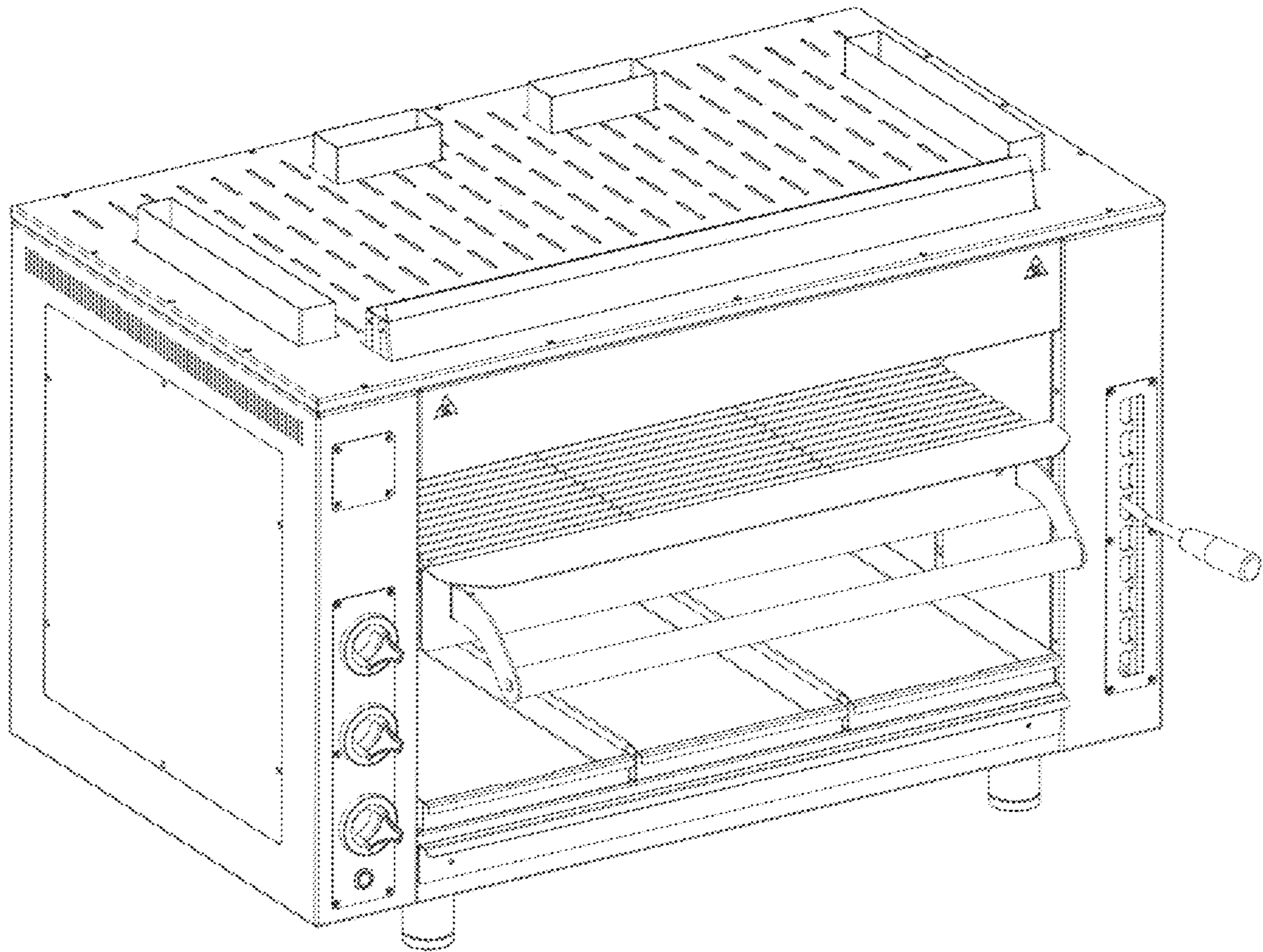
(56)

References Cited

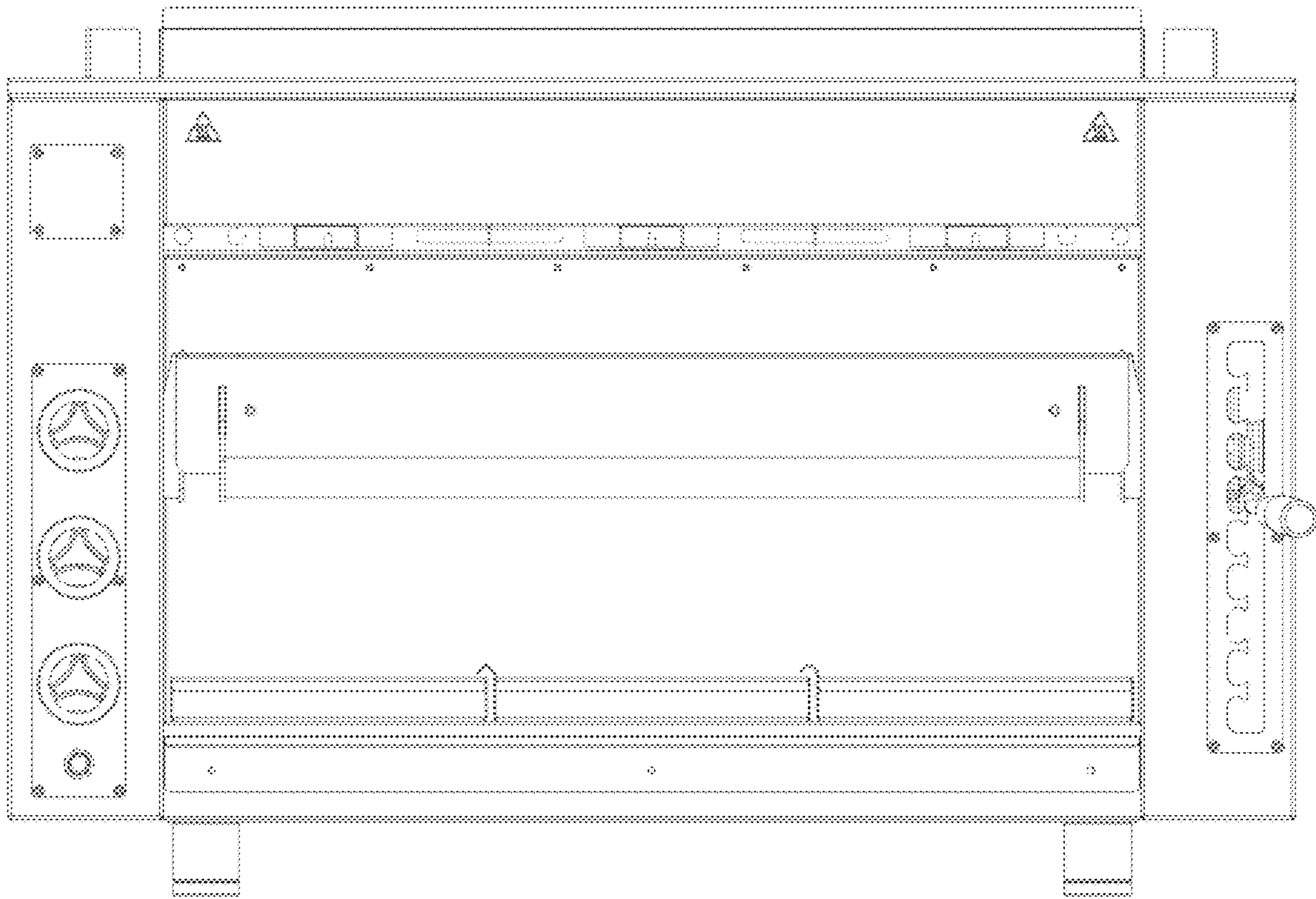
U.S. PATENT DOCUMENTS

D907,424 S * 1/2021 Measom F24C 7/00
D7/332
2006/0278214 A1* 12/2006 Park F24C 15/006
126/273 R
2010/0270282 A1* 10/2010 Fernandez F24C 7/06
219/392

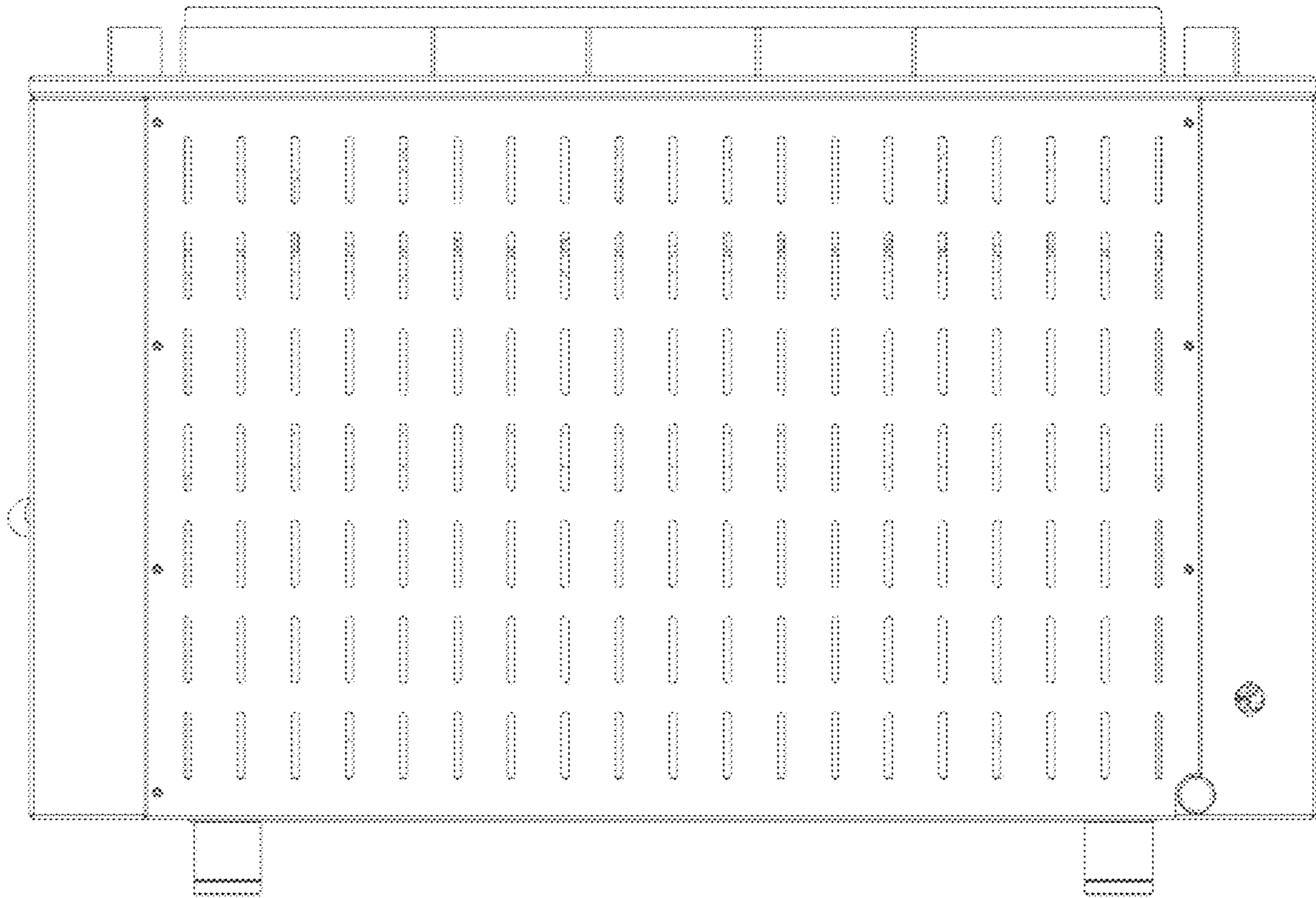
* cited by examiner



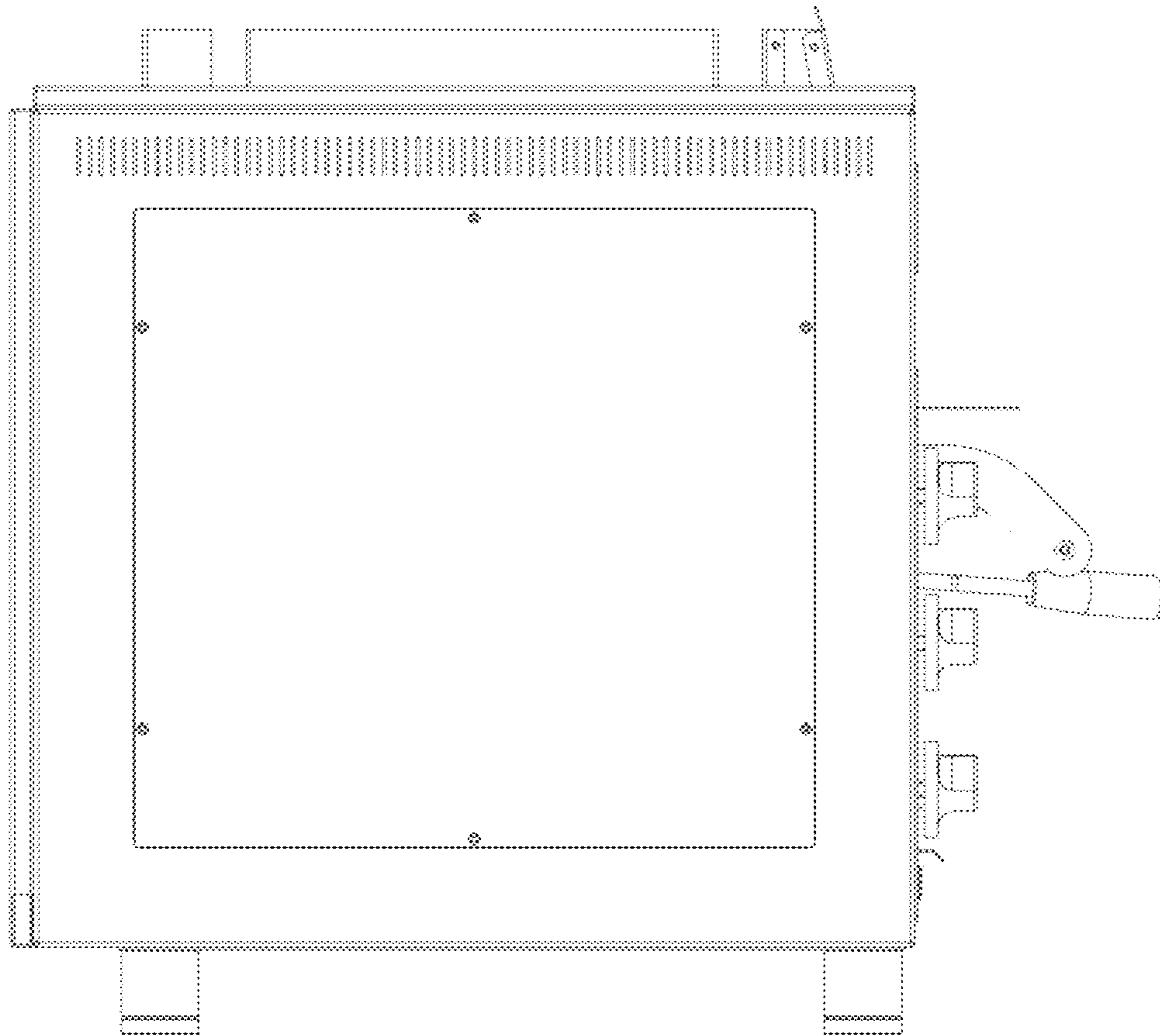
1.1



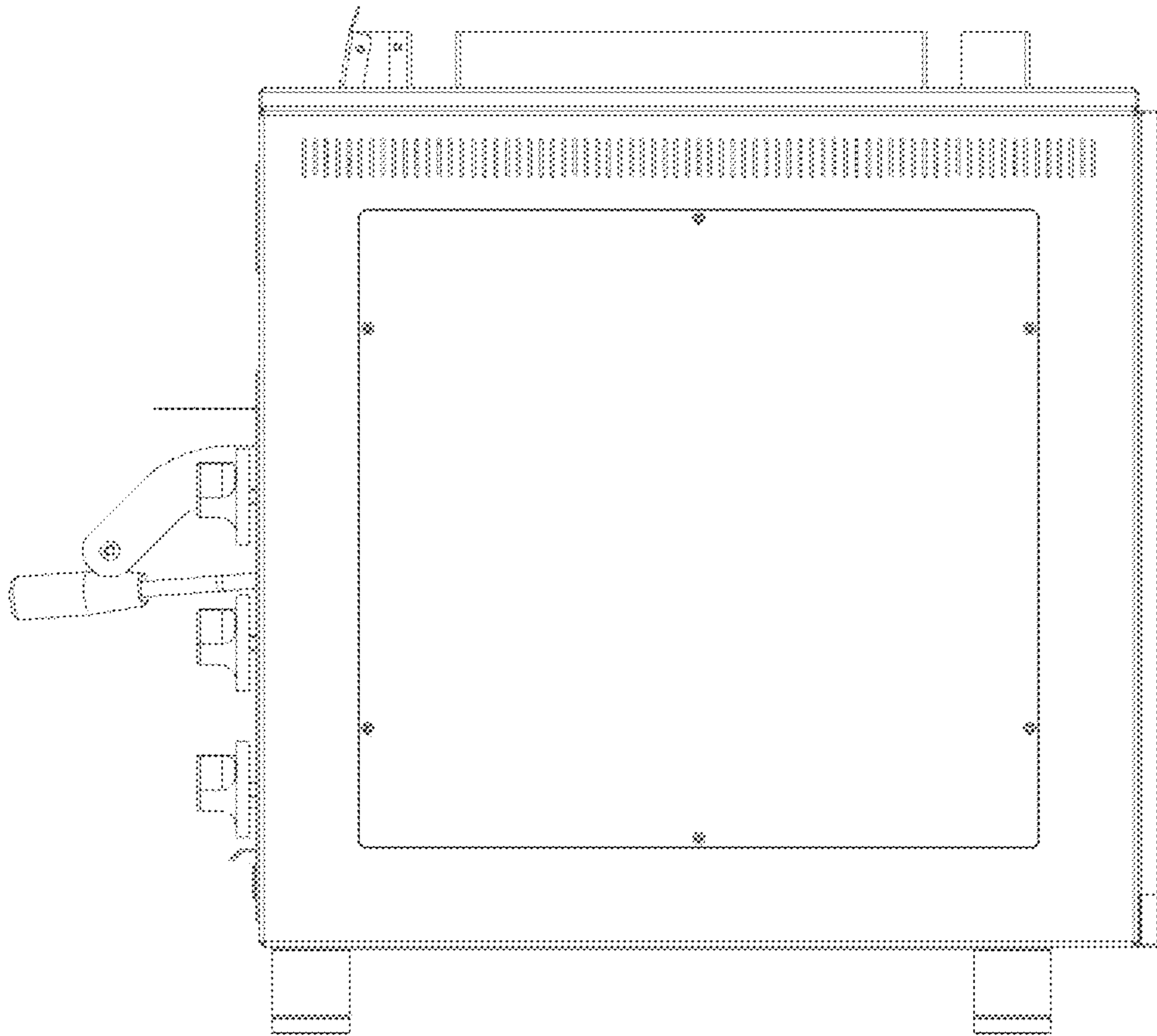
1.2



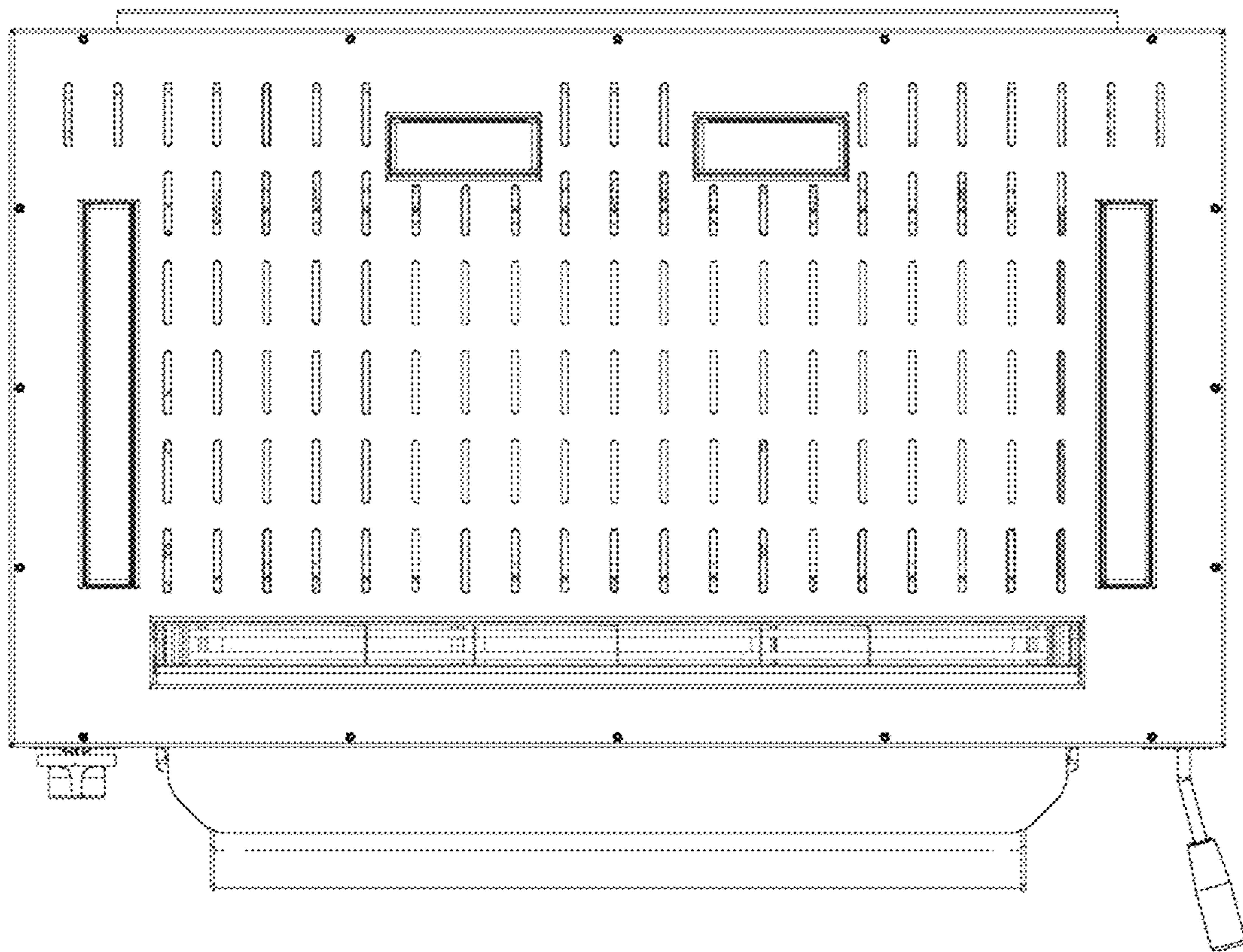
1.3



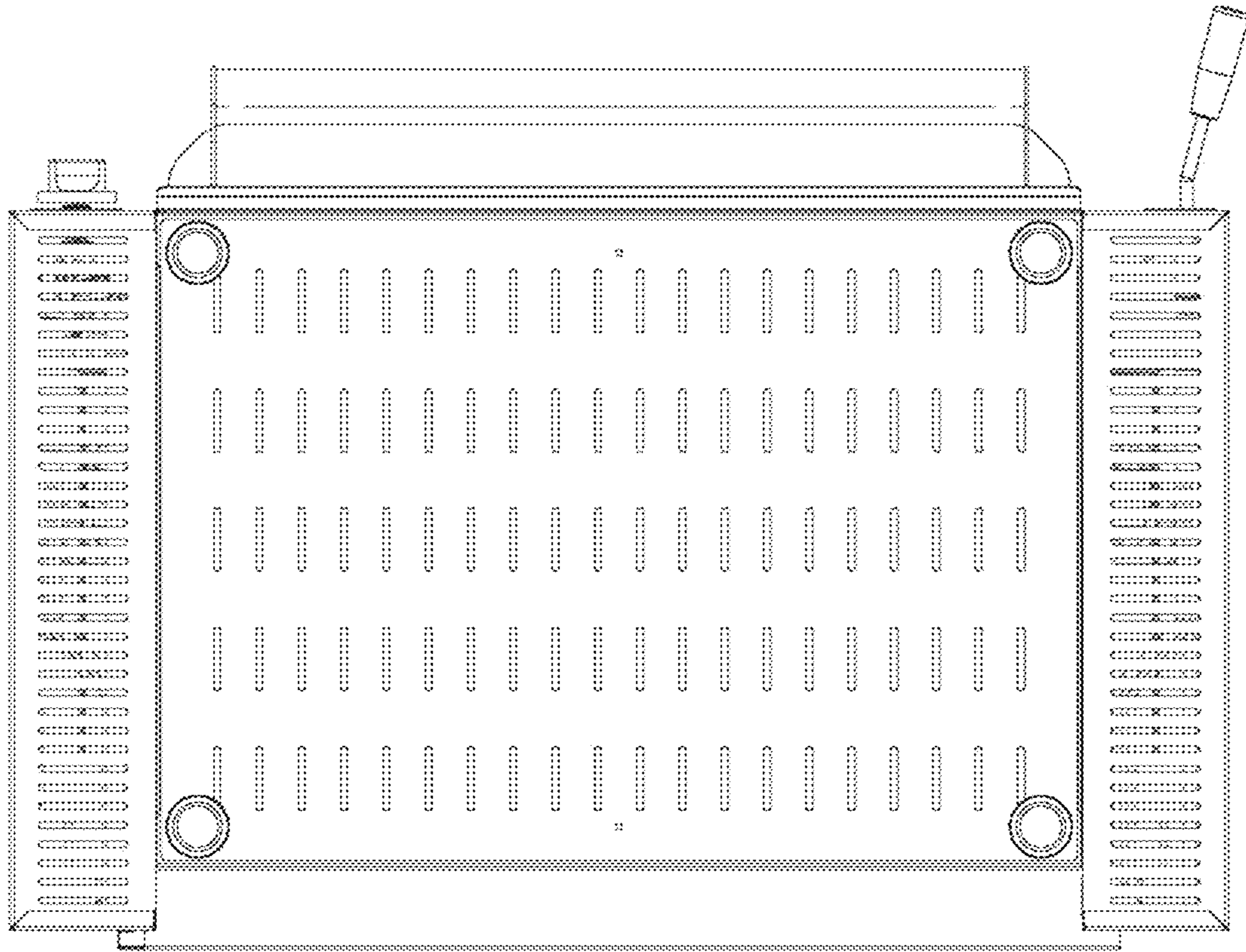
1.4



1.5



1.6



1.7