



US00D945208S

(12) **United States Design Patent**
Duan et al.

(10) **Patent No.:** **US D945,208 S**
(45) **Date of Patent:** **** Mar. 8, 2022**

(54) **PELLET STOVE**

(71) Applicant: **Aukey Technology Co., Ltd**, Shenzhen (CN)

(72) Inventors: **Bingkun Duan**, Shenzhen (CN); **Mingkai Li**, Shenzhen (CN); **Bo Du**, Shenzhen (CN); **Huiyue Ze**, Shenzhen (CN)

(73) Assignee: **Aukey Technology Co., Ltd**, Shenzhen (CN)

(**) Term: **15 Years**

(21) Appl. No.: **29/729,044**

(22) Filed: **Mar. 24, 2020**

(51) **LOC (13) Cl.** **07-02**

(52) **U.S. Cl.**
USPC **D7/338; D7/334**

(58) **Field of Classification Search**
USPC 126/25 R; D7/323, 331, 332, 334, 336, D7/402, 403, 337, 338
CPC A47J 33/00; A47J 37/07; A47J 37/0704; A47J 37/0709; A47J 37/0713; A47J 37/0718; A47J 37/0722; A47J 37/0727; A47J 37/0786

See application file for complete search history.

(56) **References Cited**

U.S. PATENT DOCUMENTS

- D165,998 S * 2/1952 Pollard D7/334
- D179,345 S * 12/1956 Henry et al. D7/334
- 2,902,026 A * 9/1959 Hathorn, Jr. A47J 37/0704
126/25 R
- D196,553 S * 10/1963 Mayer D7/334
- 4,664,026 A * 5/1987 Milloy A47J 37/0704
99/352
- 4,665,891 A * 5/1987 Nemec A47J 37/0704
126/25 R
- D295,136 S * 4/1988 Cox, Jr. D7/334

(Continued)

FOREIGN PATENT DOCUMENTS

CN 306538358 * 5/2021
EM 001963703-0001 * 1/2012

(Continued)

OTHER PUBLICATIONS

Camp Chef [online] URL: <https://www.campchef.com/pellet-grill-smoker-dlx.html?bvstate=pg:10/ct:q> (site visited: Nov. 20, 2021) (Year: 2018).*

(Continued)

Primary Examiner — Michael C Stout

Assistant Examiner — Tia Ruth-Renee Polidori

(74) *Attorney, Agent, or Firm* — Westbridge IP LLC

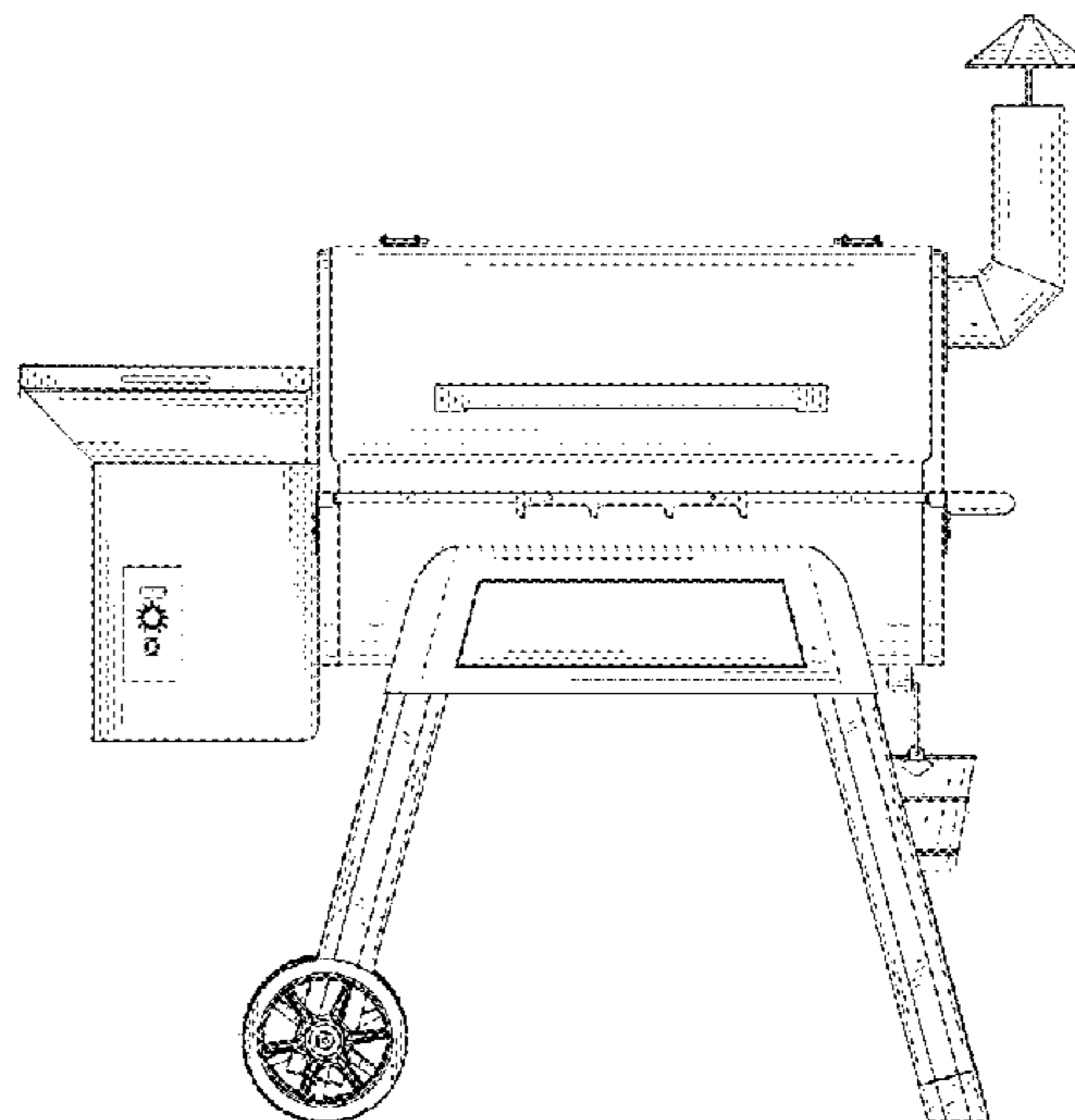
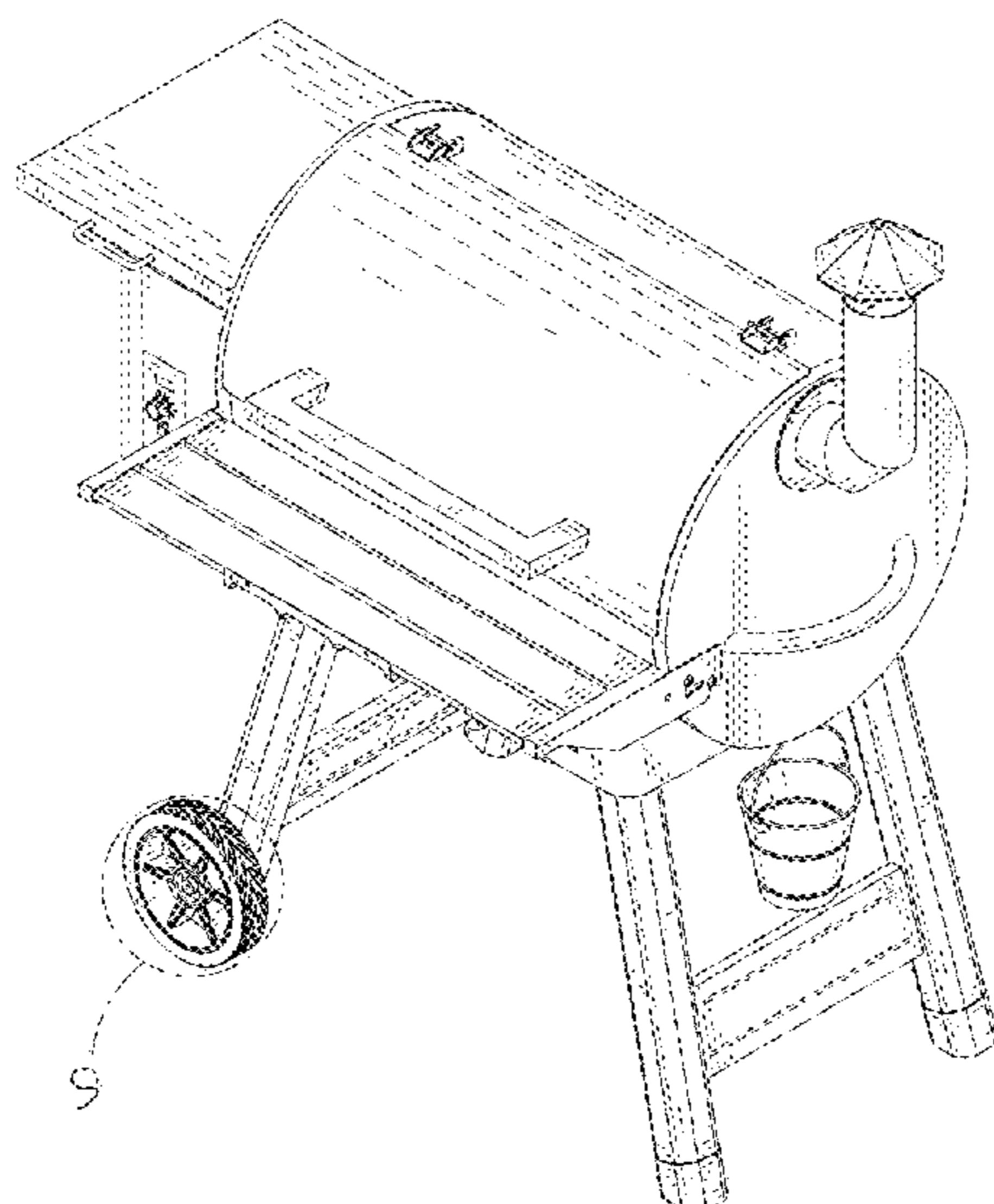
(57) **CLAIM**

The ornamental design for a pellet stove, as shown and described.

DESCRIPTION

FIG. 1 is a front, right, top perspective view of a pellet stove showing our new design;
 FIG. 2 is a rear, left, bottom perspective view thereof;
 FIG. 3 is a front elevational view thereof;
 FIG. 4 is a rear elevational view thereof;
 FIG. 5 is a left side view thereof;
 FIG. 6 is a right side view thereof;
 FIG. 7 is a top plan view thereof;
 FIG. 8 is a bottom plan view thereof;
 FIG. 9 is an enlarged view of portion 9 in FIG. 1; and,
 FIG. 10 is an enlarged view of portion 10 in FIG. 2.
 The dot-dash broken lines in FIGS. 1, 2, 9, and 10 depict partial view indicia that forms no part of the claimed design. The portions of the pellet stove shown in dash-dash broken lines form no part of the claimed design.

1 Claim, 10 Drawing Sheets



(56)

References Cited

U.S. PATENT DOCUMENTS

4,867,051 A * 9/1989 Schalk A47J 37/042
99/443 C
D406,490 S * 3/1999 Daniels D7/334
D426,101 S * 6/2000 Pai D7/334
6,125,836 A * 10/2000 Felton, Jr. A47J 37/0704
126/25 A
6,209,533 B1 * 4/2001 Ganard A47J 37/0704
126/25 R
6,223,737 B1 * 5/2001 Buckner A47J 37/0704
126/25 R
D491,410 S * 6/2004 Saunders D7/334
D708,002 S * 7/2014 Cruccolini D7/334
D738,155 S * 9/2015 Chung D7/334
9,186,020 B1 * 11/2015 Phillips A47J 37/0709
D760,539 S * 7/2016 Colston D7/402
D769,667 S * 10/2016 Ting D7/332
D820,023 S * 6/2018 Zhou D7/334
D820,628 S * 6/2018 Zhou D7/334
D827,371 S * 9/2018 Colston D7/408
D839,047 S * 1/2019 Colston A47J 37/0704
D7/402
10,292,531 B1 * 5/2019 Hancock A23B 4/0523
10,495,317 B1 * 12/2019 Hancock F24C 11/00
D871,821 S * 1/2020 Boltz D7/334
D896,561 S * 9/2020 Measom D7/334
10,806,301 B2 * 10/2020 Hancock A47J 37/0713
D914,428 S * 3/2021 Bennion D7/334
D915,139 S * 4/2021 Bennion D7/402
D915,812 S * 4/2021 Bennion D7/334
D915,824 S * 4/2021 Bennion D7/402
D920,740 S * 6/2021 Bennion D7/402
D921,413 S * 6/2021 Fitzpatrick D7/334
D927,917 S * 8/2021 Yueh D7/334
11,162,684 B2 * 11/2021 Colston F24B 1/199
11,181,276 B2 * 11/2021 Colston F24B 13/006
11,206,948 * 12/2021 Measom A47J 37/0713
2004/0237801 A1 * 12/2004 Starkey F24B 1/202
99/482
2005/0155498 A1 * 7/2005 Killion A47J 37/0704
99/482
2005/0217659 A1 * 10/2005 McClenahan F24B 1/202
126/25 R
2008/0098906 A1 * 5/2008 Davis A23B 4/044
99/482
2013/0298894 A1 * 11/2013 Kleinsasser A47J 37/0704
126/25 R
2015/0136113 A1 * 5/2015 Polter A47J 37/07
126/25 R
2015/0144238 A1 * 5/2015 Traeger A47J 37/0786
150/165
2017/0020336 A1 * 1/2017 Cole A47J 37/0704
2017/0065124 A1 * 3/2017 Colston A47J 37/067

2017/0067649 A1 * 3/2017 Colston A47J 37/0704
2017/0164783 A1 * 6/2017 Sauerwein A47J 37/0786
2017/0196400 A1 * 7/2017 Colston A47J 37/0754
2018/0098661 A1 * 4/2018 Dodds A23B 4/0523
2018/0168395 A1 * 6/2018 Colston A47J 37/0754
2018/0168397 A1 * 6/2018 Colston A47J 36/38
2018/0235401 A1 * 8/2018 Johnston A47J 37/0786
2018/0296031 A1 * 10/2018 Terrell, Jr. A47J 37/0704
2018/0368618 A1 * 12/2018 Measom A23B 4/052
2019/0277507 A1 * 9/2019 Colston A47J 37/0786
2019/0282032 A1 * 9/2019 Colston A47J 36/2477
2019/0290069 A1 * 9/2019 Colston A47J 37/0786
2019/0293295 A1 * 9/2019 Colston F24B 1/16
2019/0313848 A1 * 10/2019 Sanchez A47J 37/0786
2019/0374065 A1 * 12/2019 Hancock A47J 37/0704
2020/0040926 A1 * 2/2020 Colston F16B 12/52
2020/0116349 A1 * 4/2020 Rahmani F24B 1/024
2020/0158337 A1 * 5/2020 Baker F23B 40/08
2020/0170448 A1 * 6/2020 Baker A47J 37/0786
2020/0214501 A1 * 7/2020 Gafford A23B 4/052
2020/0281402 A1 * 9/2020 Witzel A47J 37/0704
2020/0305642 A1 * 10/2020 Hancock F24C 1/04
2020/0370752 A1 * 11/2020 Ahmed F24B 13/04
2021/0177200 A1 * 6/2021 James A47J 37/0704
2021/0180793 A1 * 6/2021 James A47J 37/0704
2021/0267413 A1 * 9/2021 Roberts F24B 13/04
2021/0341144 A1 * 11/2021 Parsons A47J 37/0704
2021/0352923 A1 * 11/2021 Li A47J 37/0786
2021/0356130 A1 * 11/2021 Li A47J 36/321
2021/0361115 A1 * 11/2021 Colston A47J 37/0704

FOREIGN PATENT DOCUMENTS

EM 007666714-0006 * 2/2020
EM 007974985-0013 * 6/2020
EM 008203806-0001 * 12/2020
IL 58273 * 3/2018
WO WOD087576-001 * 12/2015
WO WOD090098-001 * 9/2016

OTHER PUBLICATIONS

Traeger [online] URL: <https://www.traeger.com/pellet-grills/pro/renegade> (site visited: Nov. 20, 2021) (Year: 2018).*
Traeger [online] URL: <https://www.amazon.com/Traeger-TFB57PZBO-Bronze-Pellet-Grill/dp/B07GLK1NC2> (site visited: Nov. 20, 2021) (Year: 2019).*
Big Horn Outdoors [online] URL: <https://www.amazon.com/BIG-HORN-OUTDOORS-Cooking-Temperature/dp/B08DFG3QFV> (site visited: Nov. 20, 2021) (Year: 2020).*
Z Grills [online] URL: <https://www.walmart.com/ip/Z-Grills-10002B-Smart-Wood-Pellet-Grill-8-in-1-Outdoor-BBQ-Smoker-1-000-SQ-Inches-Cooking-Area/212156324> (site visited: Nov. 20, 2021) (Year: 2021).*

* cited by examiner

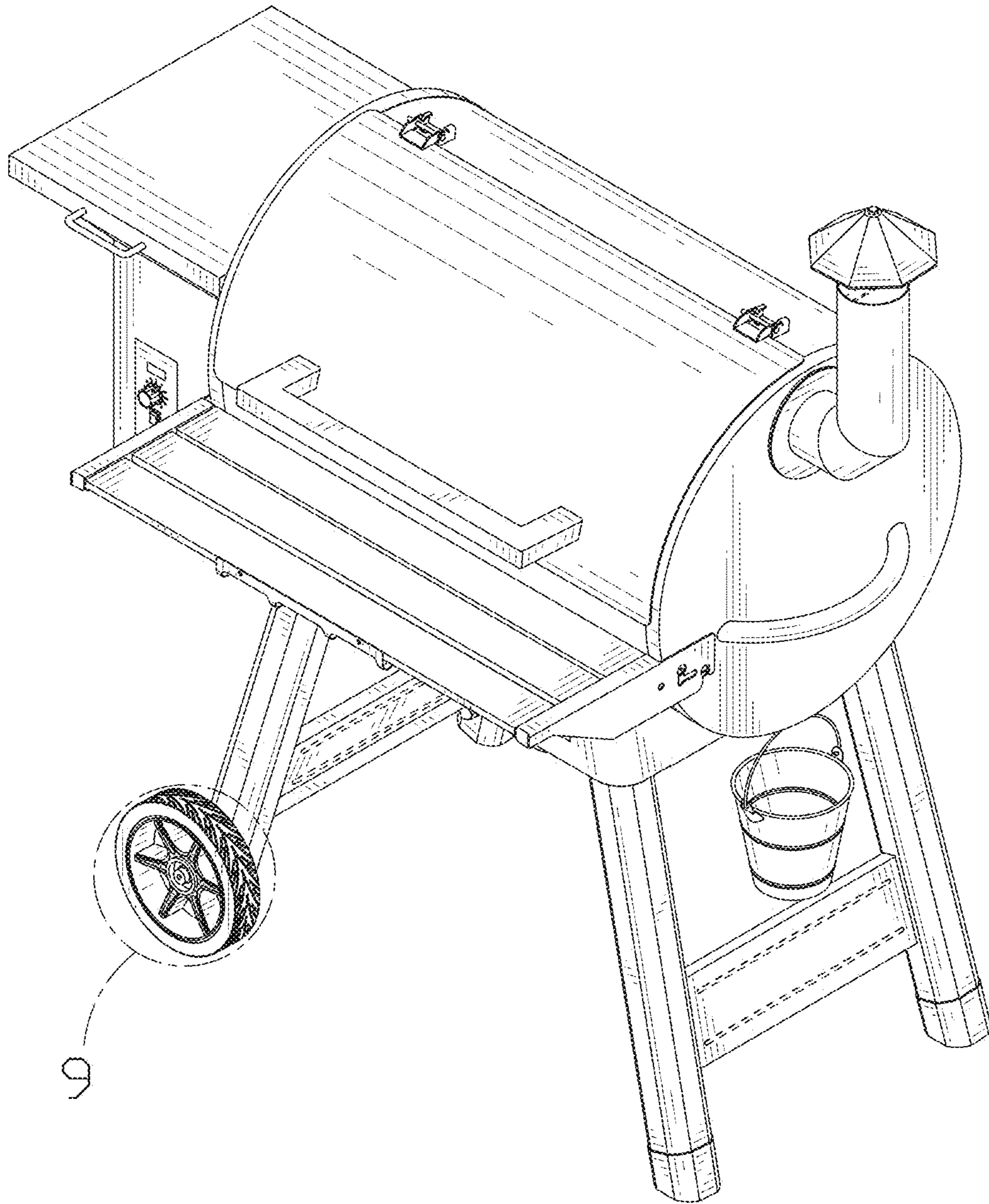
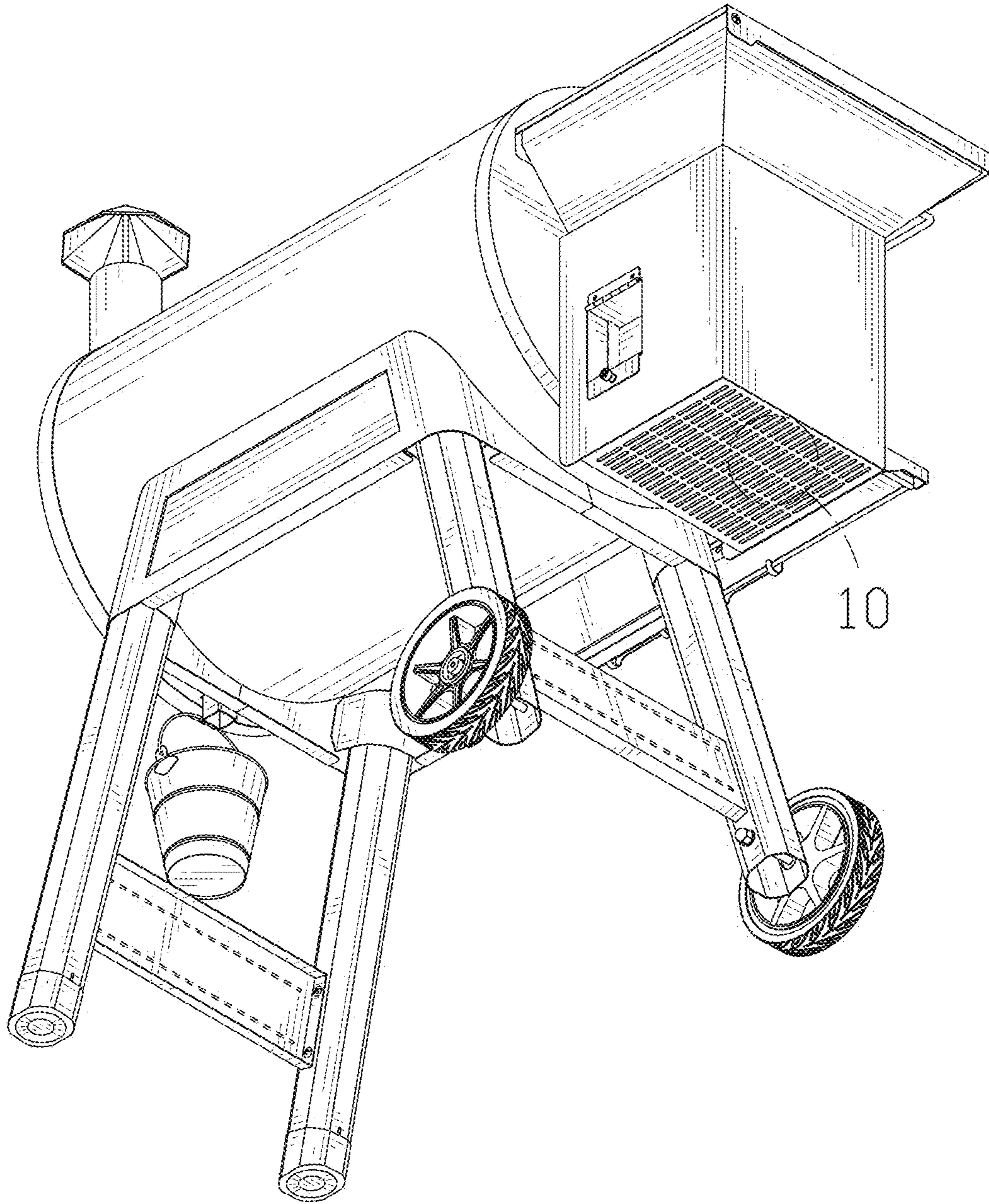


FIG. 1



10

FIG. 2

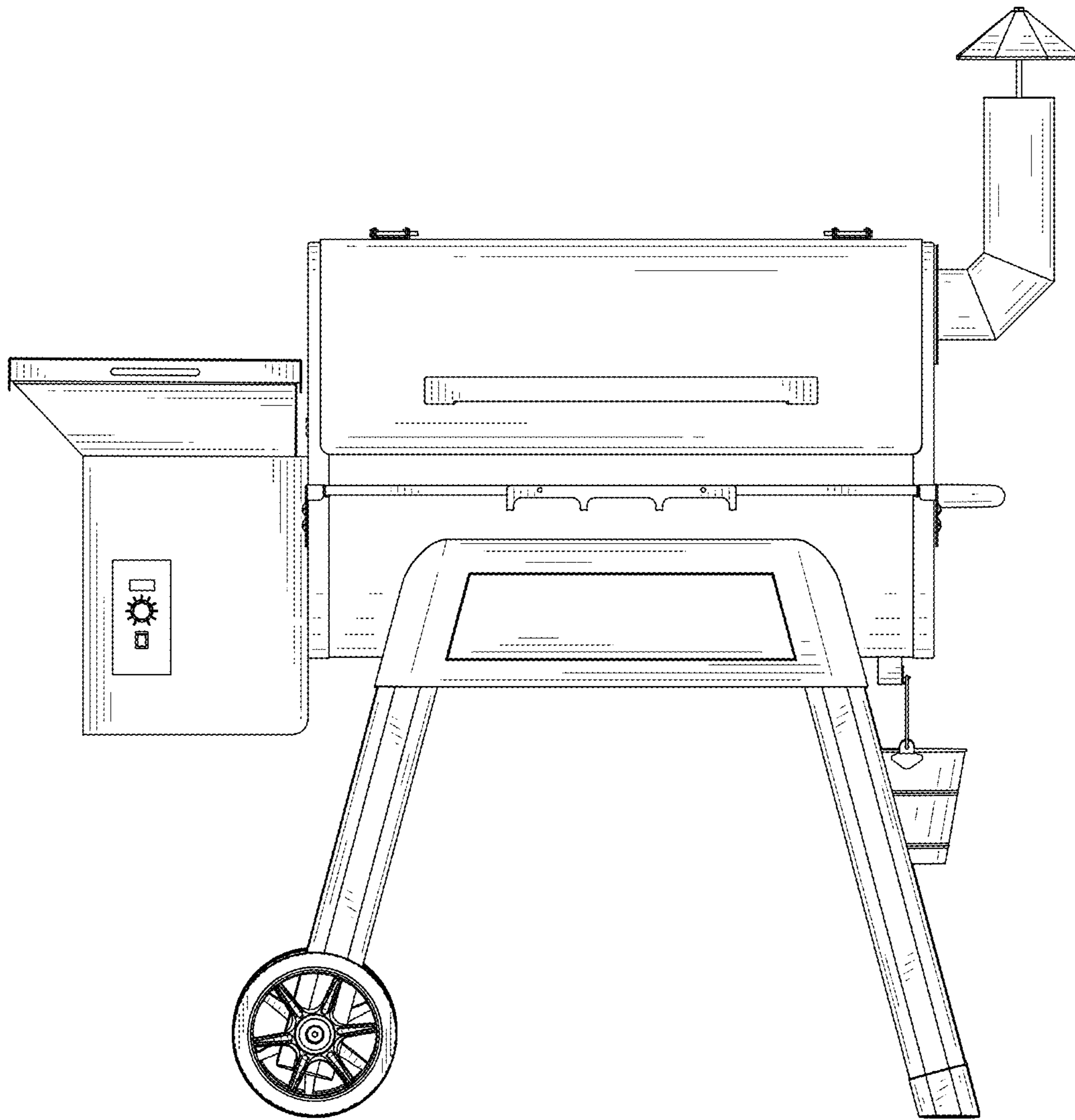


FIG. 3

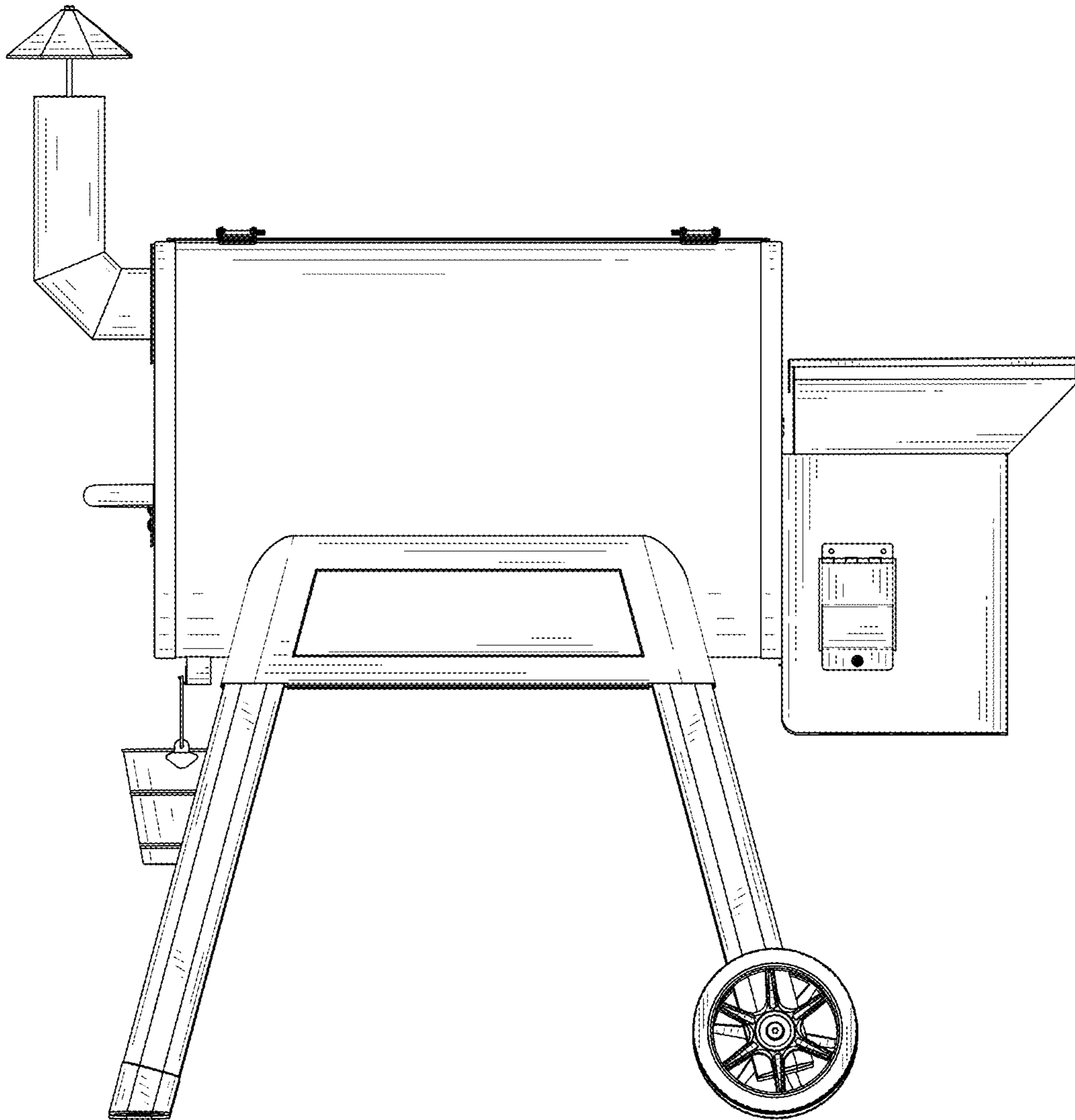


FIG. 4

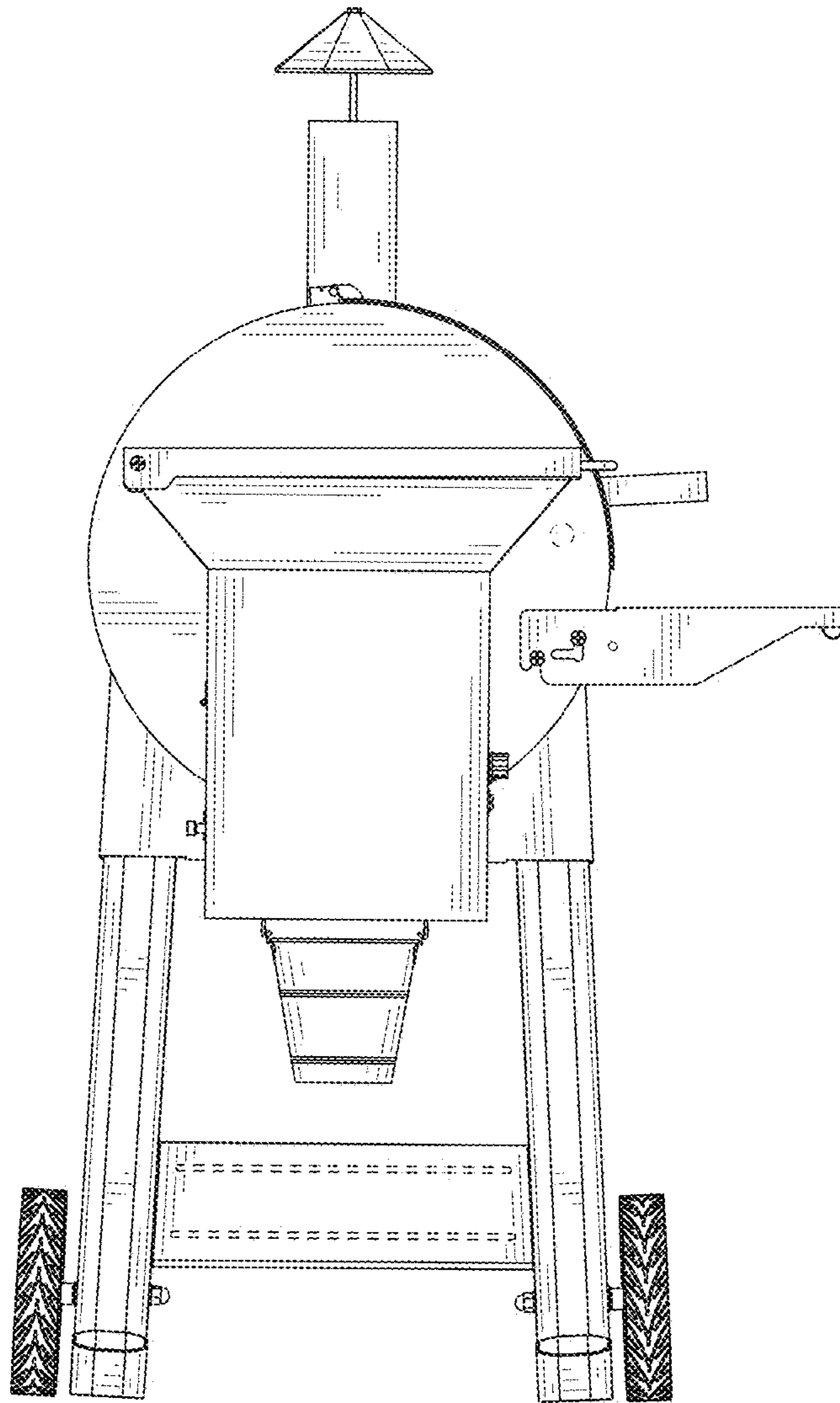


FIG. 5

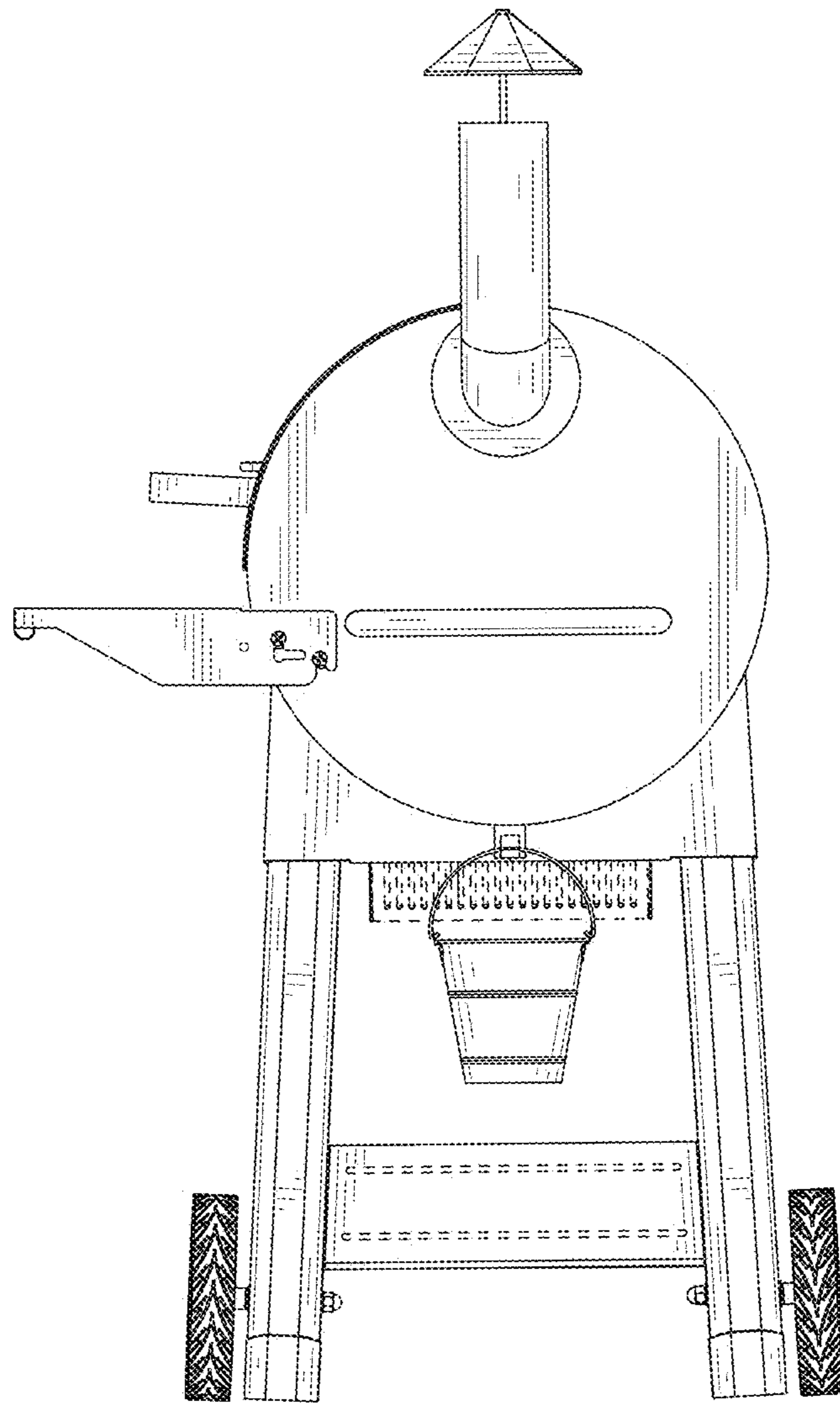


FIG. 6

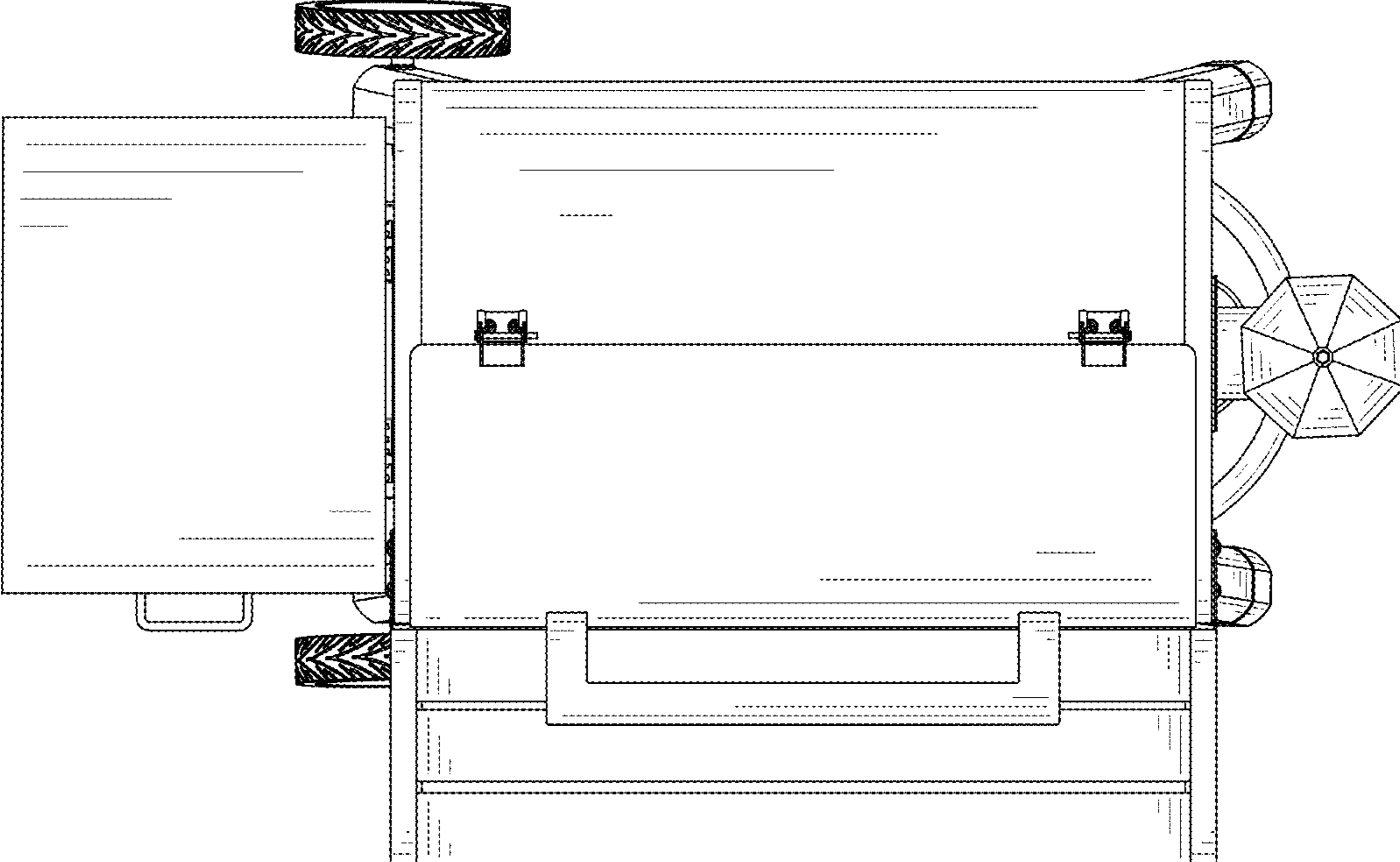


FIG. 7

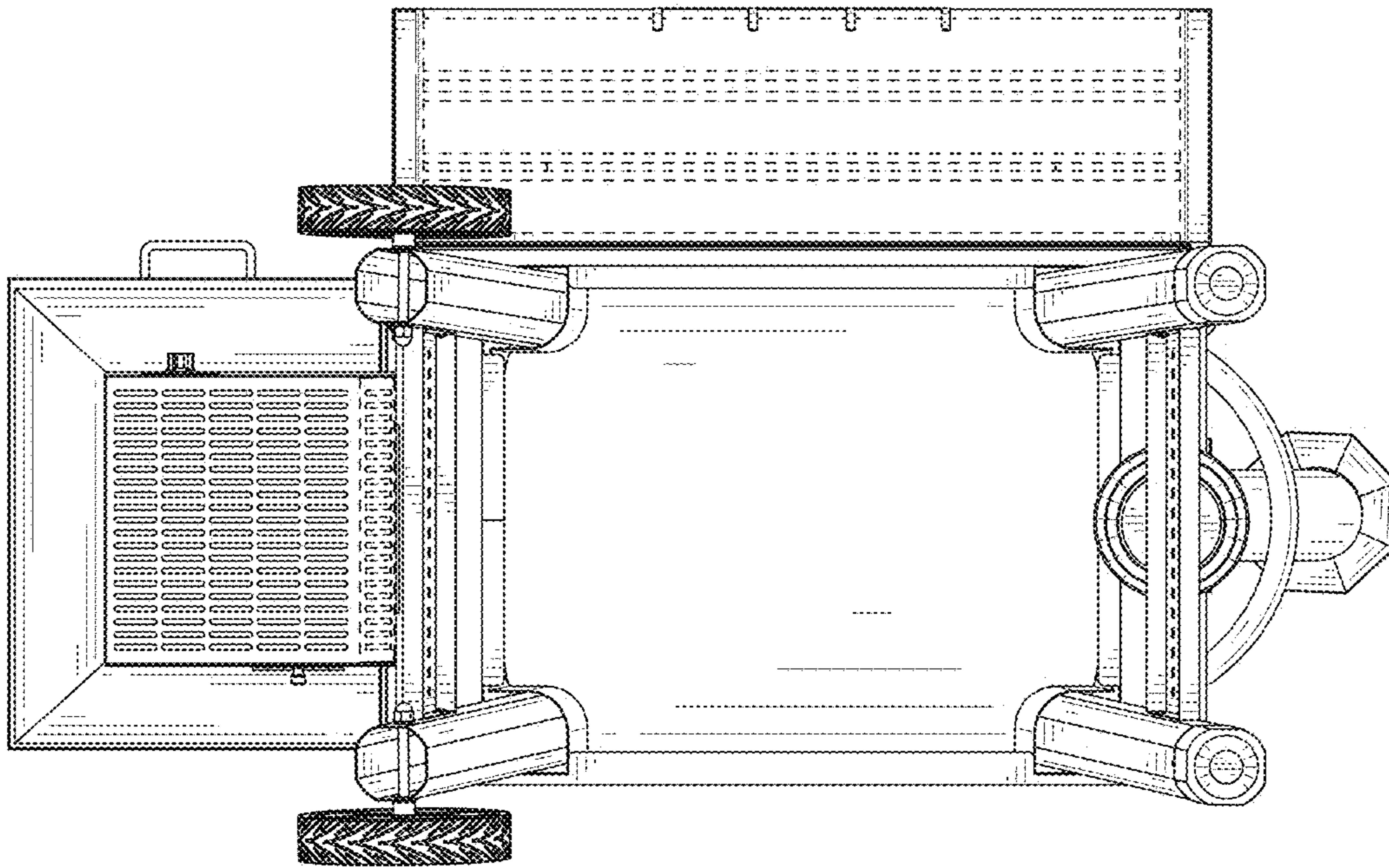


FIG. 8



FIG. 9

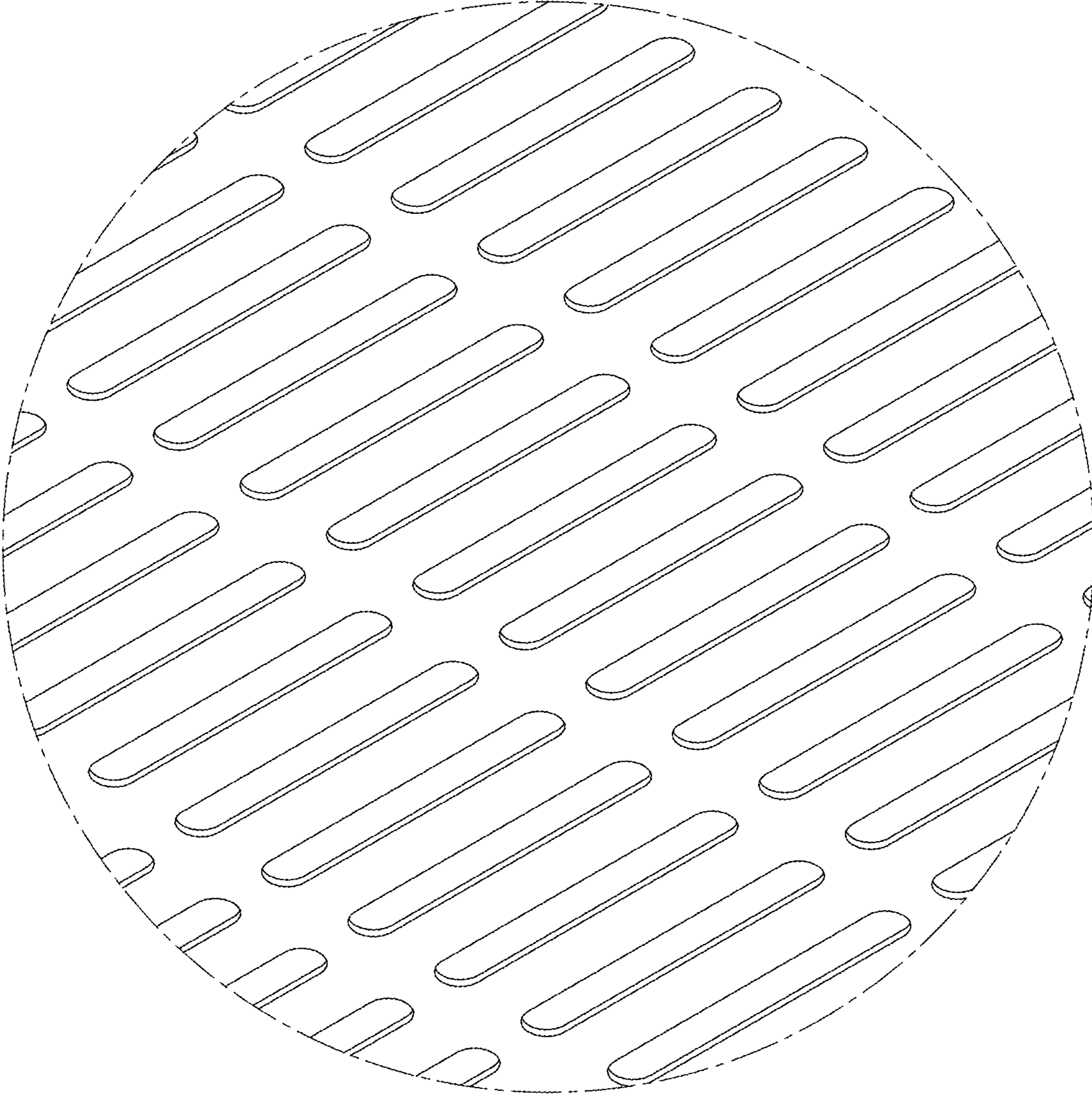


FIG. 10