



US00D945207S

(12) **United States Design Patent**
Rothenberger

(10) **Patent No.:** **US D945,207 S**
(45) **Date of Patent:** **** Mar. 8, 2022**

(54) **UPPER HEAT GRILL**

(71) Applicant: **Walter Werkzeuge Salzburg GmbH,**
Anif (AT)

(72) Inventor: **Helmut Rothenberger,** Frankfurt (DE)

(73) Assignee: **Walter Werkzeuge Salzburg GmbH,**
Anif (AT)

(**) Term: **15 Years**

(21) Appl. No.: **29/713,008**

(22) Filed: **Nov. 13, 2019**

(30) **Foreign Application Priority Data**

May 13, 2019 (EM) 006446159-0002

(51) **LOC (13) Cl.** **07-02**

(52) **U.S. Cl.**
USPC **D7/330**

(58) **Field of Classification Search**
USPC D7/350.1, 337, 402, 405, 351, 323, 338,
D7/346-348, 303, 308, 328, 329, 330,
D7/339, 390; D23/341
CPC ... A21B 2/00; A47J 37/00; A47J 37/06; A47J
37/0611; A47J 37/044; A47J 37/08; A47J
37/0807; A47J 37/0814; A47J 37/0835;
A47J 37/0842; A47J 37/085; A47J
37/0857; A47J 37/0864; A47J 37/0871;
A47J 37/0878; A47J 37/0885; A47J
37/0892; F24C 15/10; F24C 15/102

See application file for complete search history.

(56) **References Cited**

U.S. PATENT DOCUMENTS

2,798,930	A *	7/1957	Frost	F24C 15/102 219/392
5,588,354	A *	12/1996	Stuck	A47J 37/044 99/349
D470,356	S *	2/2003	Kipps	D7/332
D594,691	S *	6/2009	Baacke	D7/348
D748,941	S *	2/2016	Konzen	D7/350.1
D752,557	S *	3/2016	Jakowski	D14/221
D842,635	S *	3/2019	Synowiec	D7/330
D858,173	S *	9/2019	Hecker	D7/350.1
D899,842	S *	10/2020	Pai	D7/330
2015/0164275	A1 *	6/2015	Molnar	A23L 3/0055 426/523
2016/0298858	A1 *	10/2016	Ciccacci	A47J 37/06
2019/0282029	A1 *	9/2019	Goldberg	A47J 36/32

* cited by examiner

Primary Examiner — Ania Aman

(74) *Attorney, Agent, or Firm* — Merchant & Gould P.C.

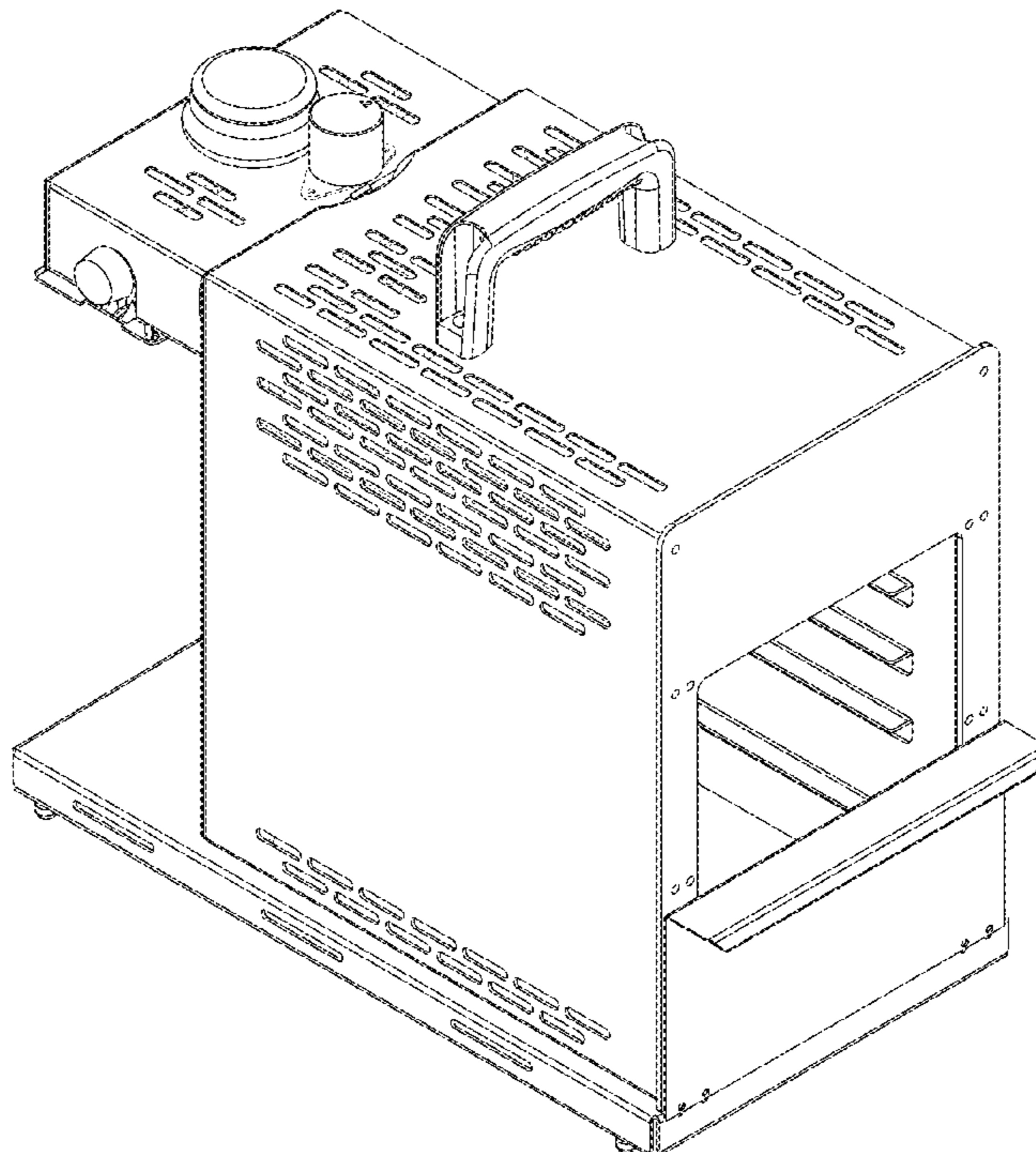
(57) **CLAIM**

The ornamental design for an upper heat grill, as shown and described.

DESCRIPTION

FIG. 1 is a top view of a upper heat grill showing my new design;
FIG. 2 is a left side view thereof;
FIG. 3 is is a front view thereof; and,
FIG. 4 is is perspective view thereof.
The broken lines in the drawings are included for the purpose of illustrating portions of the upper heat grill that form no part of the claimed design.

1 Claim, 4 Drawing Sheets



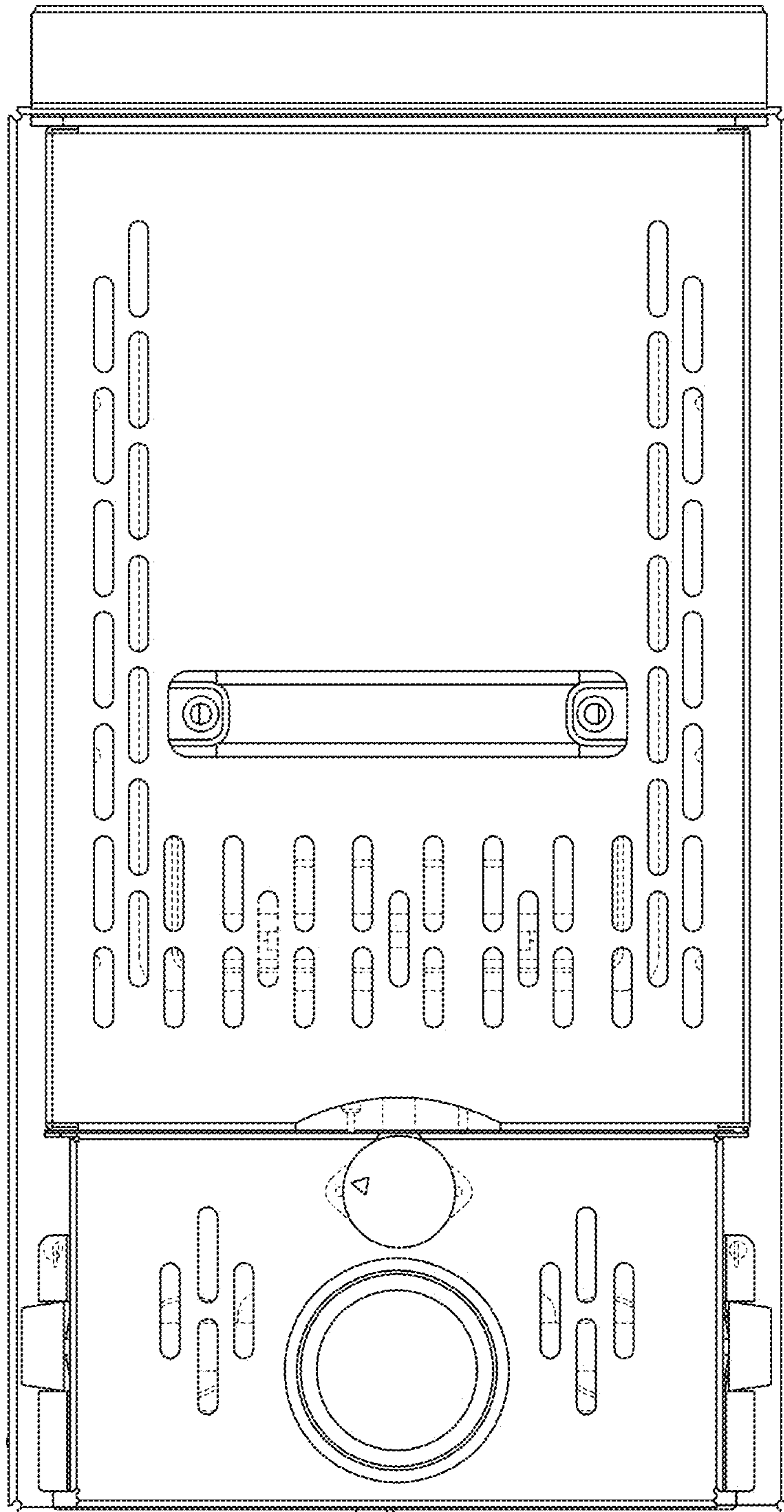


Figure 1

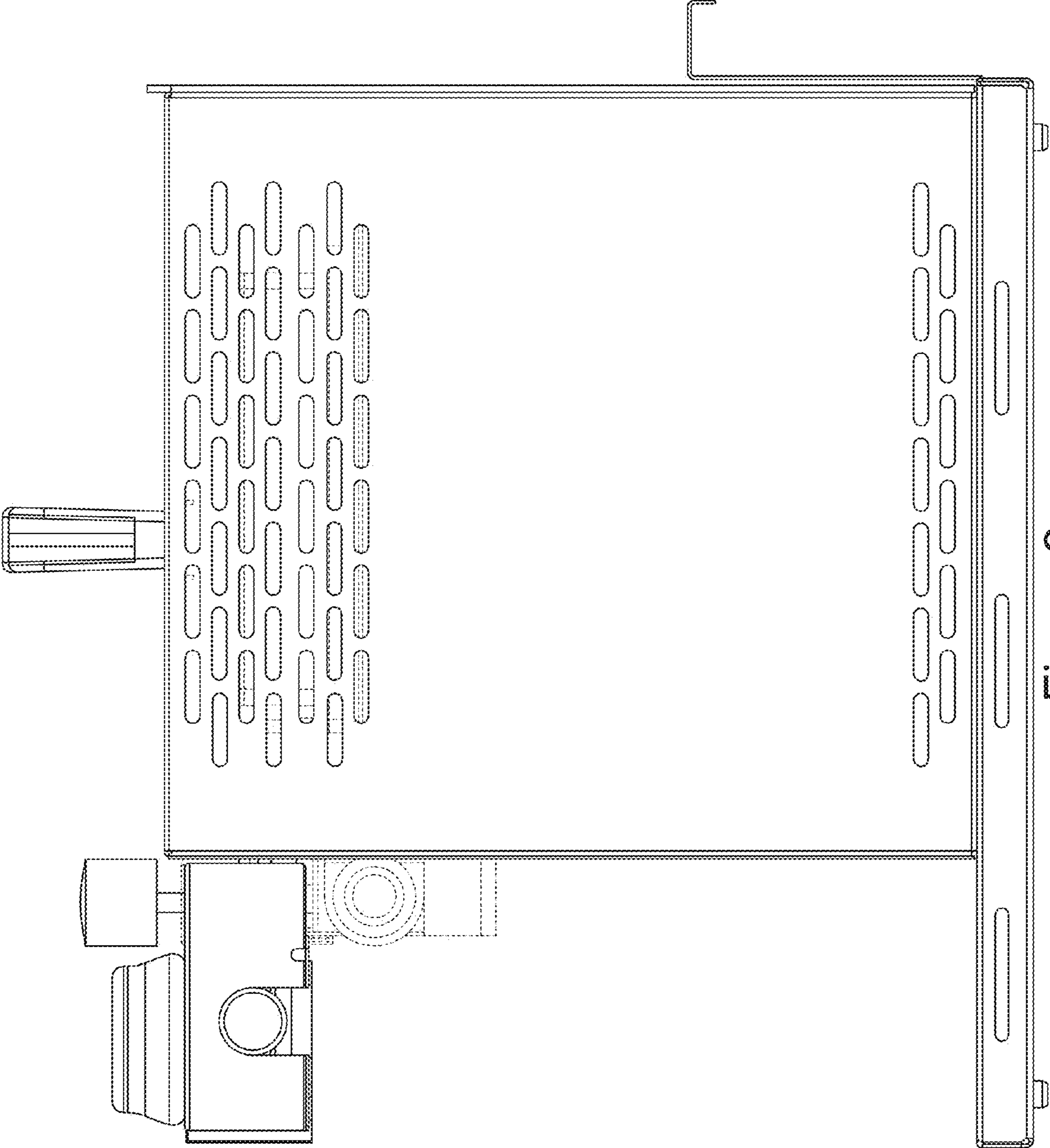


Figure 2

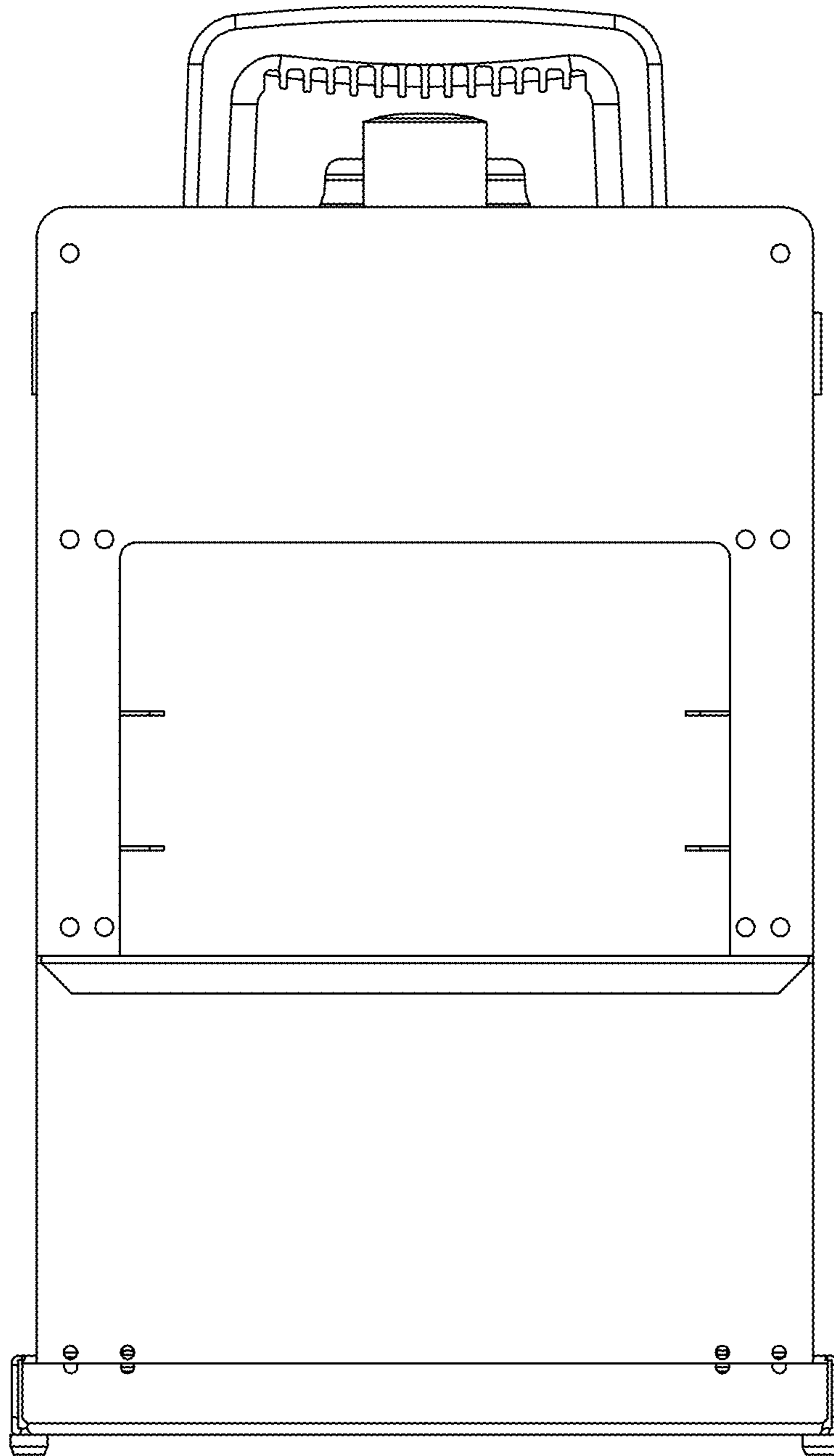


Figure 3

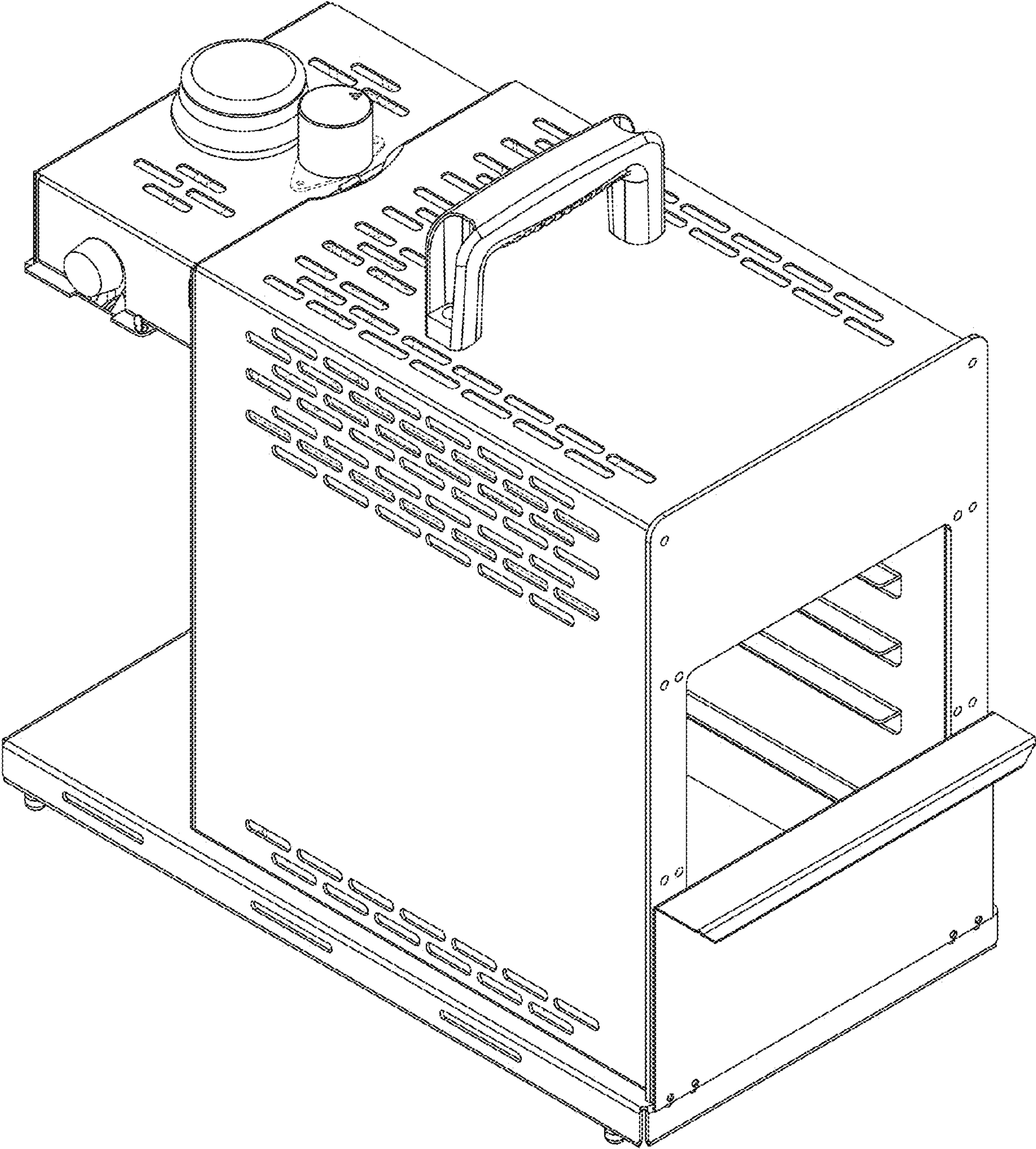


Figure 4