



US00D945203S

(12) **United States Design Patent**
Dou et al.

(10) **Patent No.:** **US D945,203 S**
(45) **Date of Patent:** **** Mar. 8, 2022**

- (54) **WATER COLLECTION BOX FOR WATER DISPENSER**
- (71) Applicant: **BEIJING XIAOMI MOBILE SOFTWARE CO., LTD.**, Beijing (CN)
- (72) Inventors: **Wenbo Dou**, Beijing (CN); **Ningning Li**, Beijing (CN); **Lei Zhang**, Beijing (CN); **Yao Xi**, Beijing (CN)
- (73) Assignee: **BEIJING XIAOMI MOBILE SOFTWARE CO., LTD.**, Beijing (CN)
- (**) Term: **15 Years**
- (21) Appl. No.: **35/510,293**
- (22) Filed: **Mar. 10, 2020**
- (80) **Hague Agreement Data**
 Int. Filing Date: **Mar. 10, 2020**
 Int. Reg. No.: **DM/209434**
 Int. Reg. Date: **Mar. 10, 2020**
 Int. Reg. Pub. Date: **Sep. 18, 2020**

- (30) **Foreign Application Priority Data**
 Sep. 16, 2019 (CN) 201930507956.4
- (51) **LOC (13) Cl.** **07-01**
- (52) **U.S. Cl.**
 USPC **D7/311**
- (58) **Field of Classification Search**
 USPC D7/300, 306, 309, 311, 399; D23/202, D23/209
 CPC A47J 31/00; A47J 31/005; A47J 31/02
 See application file for complete search history.

- (56) **References Cited**
U.S. PATENT DOCUMENTS
 4,879,889 A * 11/1989 DeForrest, Sr. E05B 67/38 70/56
 D315,493 S * 3/1991 Cleland D6/574
 5,391,156 A * 2/1995 Hildwein A61B 17/29 604/174
 D550,042 S * 9/2007 Chapple D7/397
 (Continued)

FOREIGN PATENT DOCUMENTS

JP D1679630 * 2/2021

OTHER PUBLICATIONS

Giz China.it website, The new Xiaomi water dispenser is also a purifier, Publication date May 11, 2020, [site visited Oct. 22, 2021], Available on the Internet URL <https://en.gizchina.it/2020/11/xiaomi-mi-desktop-water-dispenser/> (Year: 2020).*

Primary Examiner — S. Bryan Reinholdt, Jr.
(74) *Attorney, Agent, or Firm* — Amster, Rothstein & Ebenstein LLP

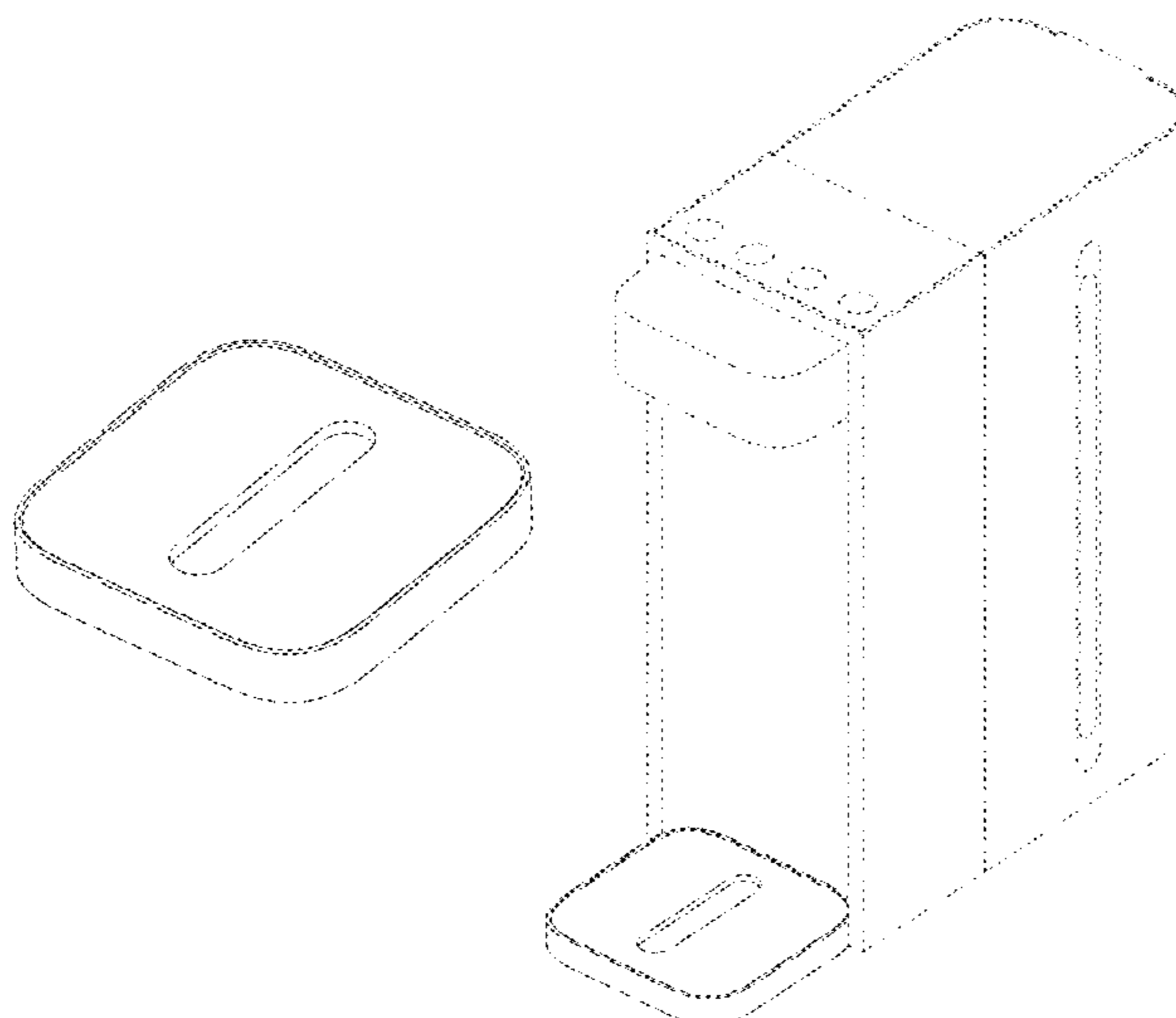
(57) **CLAIM**

The ornamental design for a water collection box for water dispenser, as shown and described.

DESCRIPTION

1. Water collection box for water dispenser
1.1 is a front view of a water collection box for water dispenser showing our new design;
1.2. is a back view thereof;
1.3 is a left view thereof, while the right view thereof is identical to the left view and is thereby omitted;
1.4 is a top view thereof;
1.5 is a bottom view thereof;
1.6 is a perspective view thereof; and
1.7 is a perspective view of the water collection box for water dispenser shown in a use configuration with environment.
 The broken lines in FIGs. **1.2** and **1.4** depict portions of the water collection box for water dispenser that form no part of the claimed design.
 The broken lines in FIG. **1.7** depict the environment of a water dispenser and form no part of the claimed design.

1 Claim, 7 Drawing Sheets



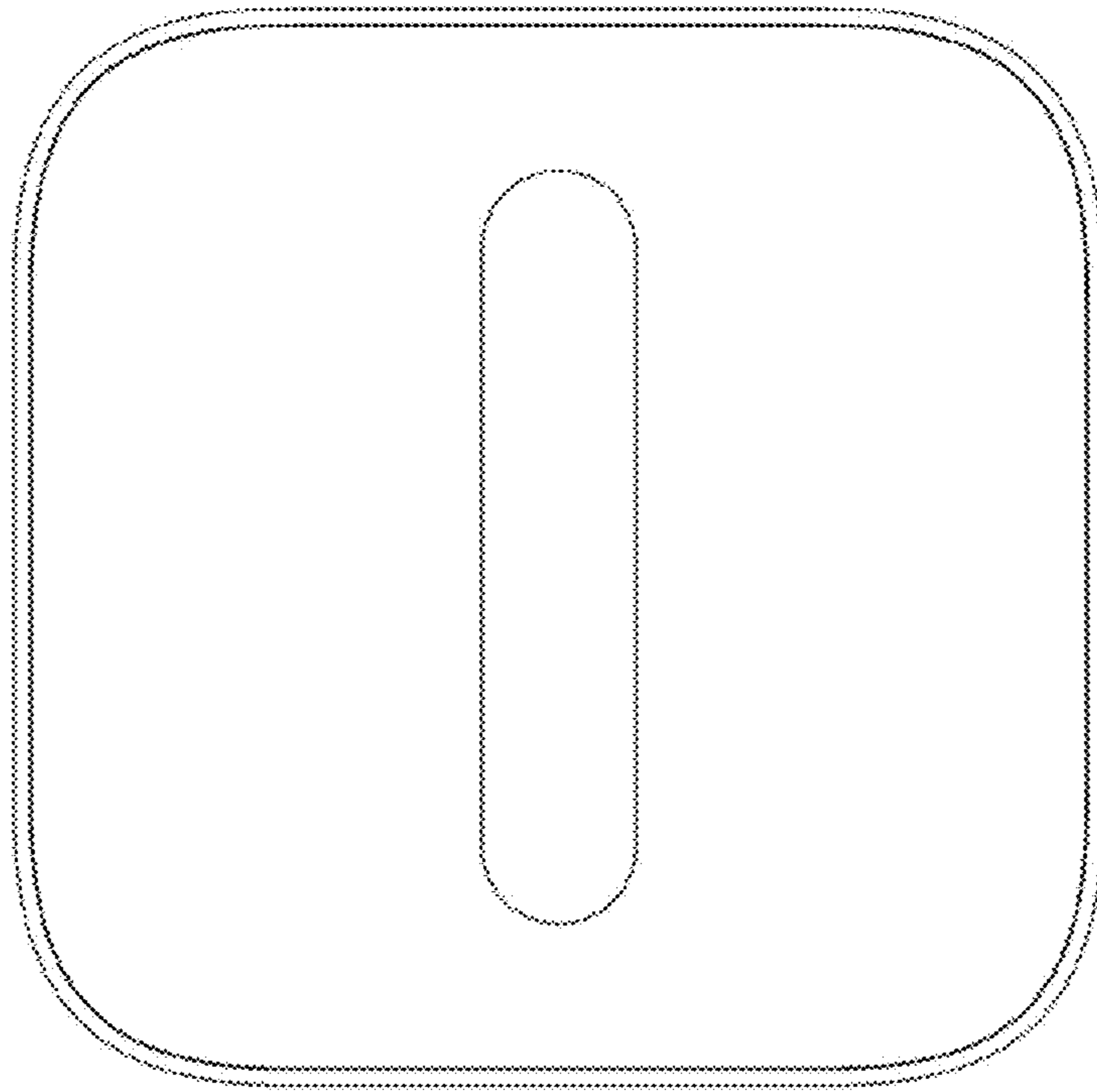
(56)

References Cited

U.S. PATENT DOCUMENTS

| | | | |
|--------------|--------|-----------------|---------|
| D639,899 S * | 6/2011 | Reid | D23/209 |
| D643,507 S * | 8/2011 | Lee | D23/207 |
| D711,500 S * | 8/2014 | Marchetti | D23/209 |

* cited by examiner



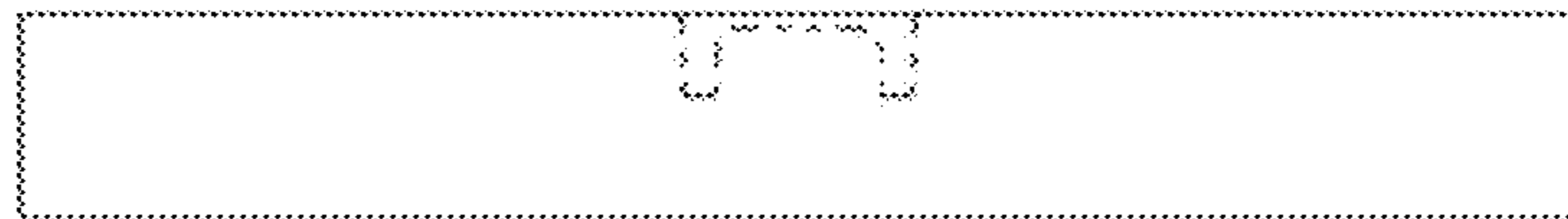
1.1



1.2



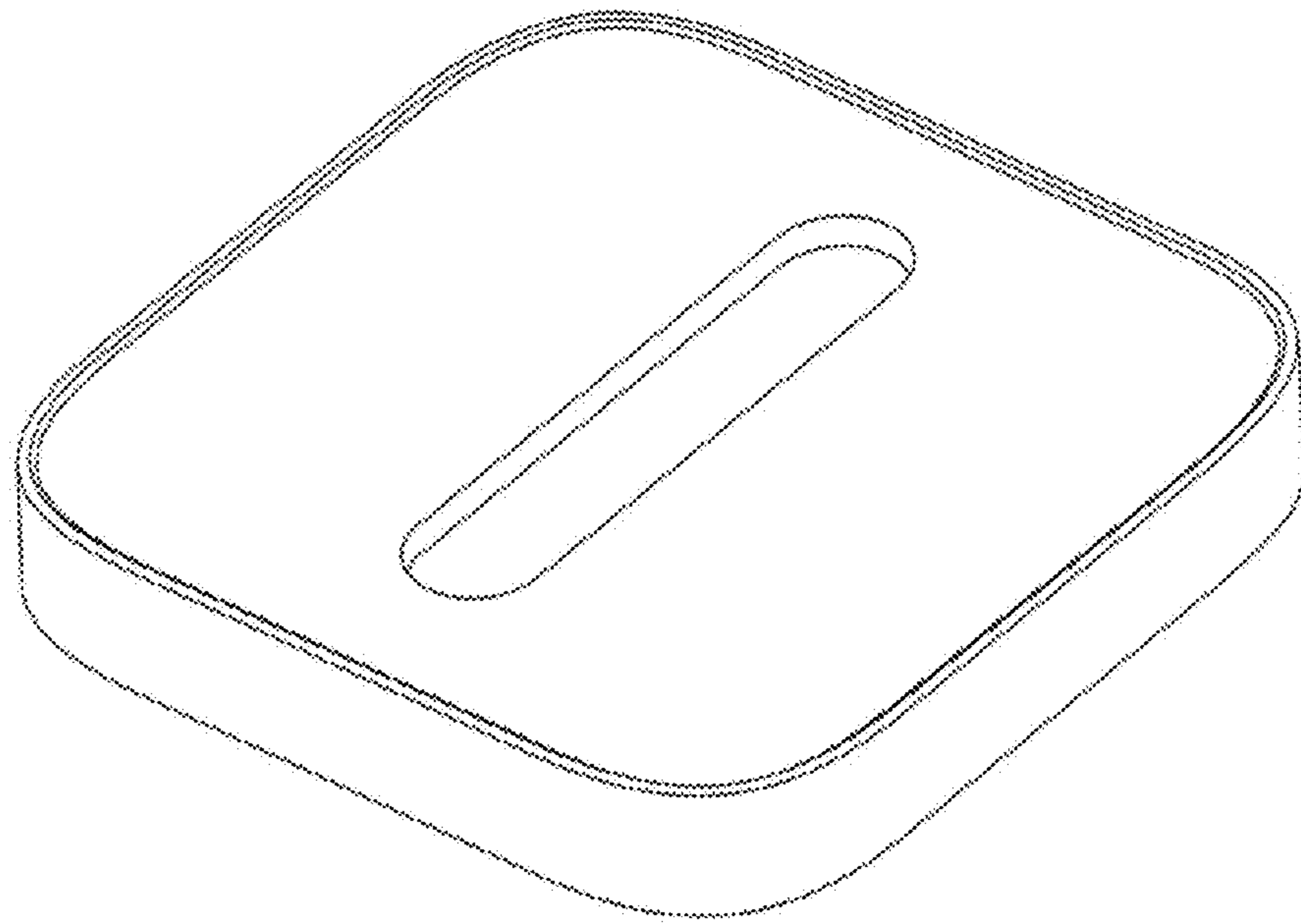
1.3



1.4



1.5



1.6

