



US00D945201S

(12) **United States Design Patent** (10) **Patent No.:** **US D945,201 S**
Nalen et al. (45) **Date of Patent:** **** Mar. 8, 2022**

(54) **BEVERAGE MACHINE**

D356,923 S 4/1995 Reinardy et al.
D389,694 S 1/1998 Vinson
D481,902 S 11/2003 O'Connor et al.
(Continued)

(71) Applicant: **Keurig Green Mountain, Inc.**,
Burlington, MA (US)

(72) Inventors: **Steve James Nalen**, Winthrop, MA
(US); **Sam Murray Chud**, Waban, MA
(US); **Peter David Cauwood**,
Cambridge (GB); **Iain James
Sabberton**, Cambridge (GB); **Keir S.
Jackson**, Cambridge (GB)

FOREIGN PATENT DOCUMENTS

CH 144565-0001 S 4/2019
CN 301555306 S 5/2011
(Continued)

(73) Assignee: **Keurig Green Mountain, Inc.**,
Burlington, MA (US)

(**) Term: **15 Years**

(21) Appl. No.: **29/687,966**

(22) Filed: **Apr. 17, 2019**

(51) **LOC (13) Cl.** **07-01**

(52) **U.S. Cl.**
USPC **D7/309; D7/311**

(58) **Field of Classification Search**
USPC D7/300, 305-313, 367, 397-399, 665;
D20/1, 4; D15/80, 82; D23/207
CPC B67D 3/00; B67D 1/04; B67D 1/0021;
B67D 1/0085; B67D 1/0086; B67D
1/0089; B67D 1/0857; B67D 2001/0087;
B67D 1/0894; B67D 1/0888; B67D
2001/0091; A47J 31/00; A47J 31/18;
A47J 31/36; A47J 31/3633; A47J 31/407;
A47J 31/44; A47J 31/4403; A47J 31/46;
A47J 31/50; A47J 27/04; B65D 83/0055;
B65D 35/14; B65D 35/36; B65D 35/46;
C12G 3/06; G07F 13/06
See application file for complete search history.

(56) **References Cited**

U.S. PATENT DOCUMENTS

D300,596 S 4/1989 Eugster
D343,758 S 2/1994 Beeren

OTHER PUBLICATIONS

Davies, Chris, "Starbucks Verismo V Brewer Review: Can pods
converts coffee snob?", Oct. 19, 2016, SlashGear, www.slashgear.
com/starbucks-verismo-v-brewer-review-can-pods-convert-a-coffee-
snob-19460572/ (Year: 2016).*

(Continued)

Primary Examiner — Shannon W Morgan

Assistant Examiner — Arva P Adams

(74) *Attorney, Agent, or Firm* — Wolf, Greenfield &
Sacks, P.C.

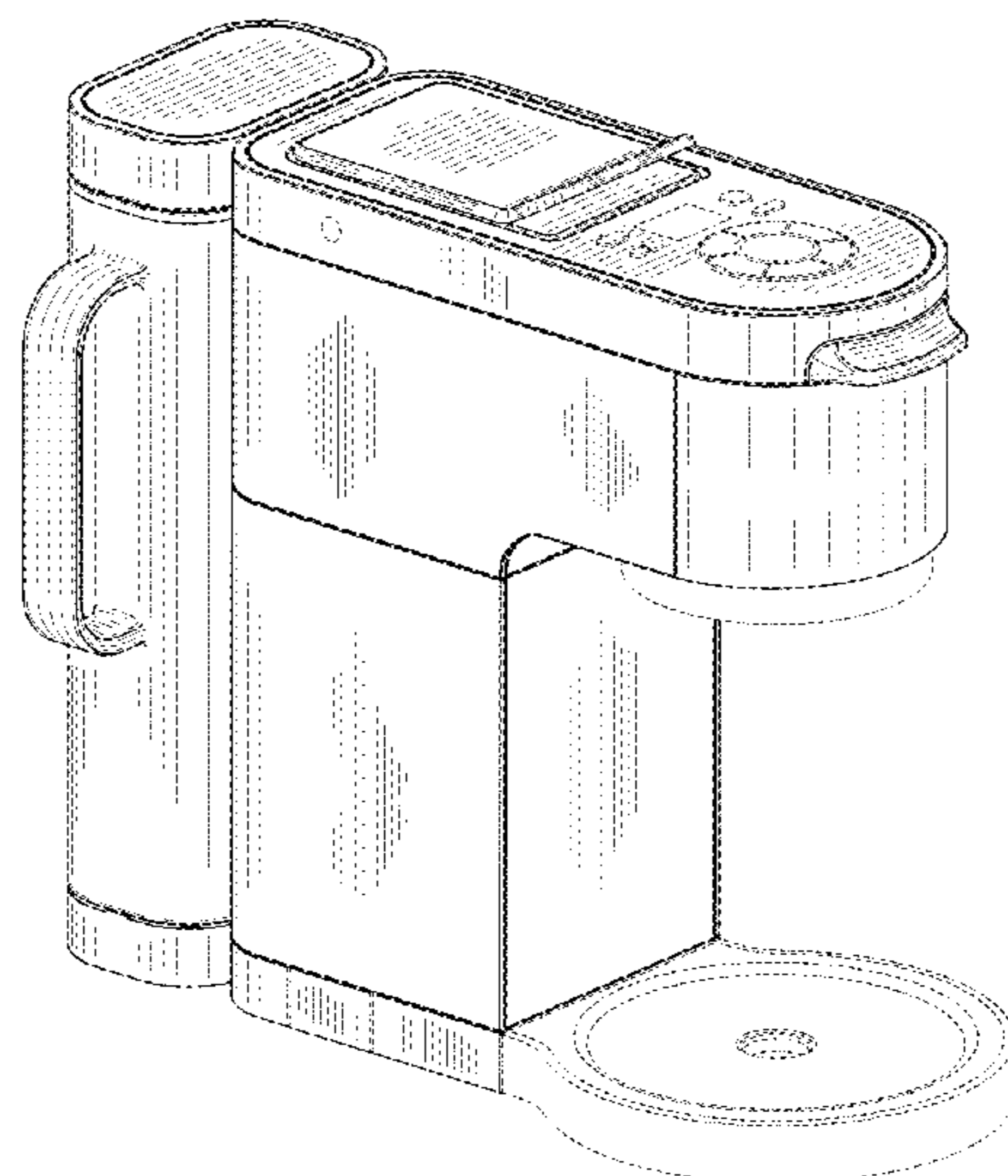
(57) **CLAIM**

The ornamental design for a beverage machine, as shown
and described.

DESCRIPTION

FIG. 1 is a top, front, left side perspective view of a beverage
machine according to our new design;
FIG. 2 is a top plan view thereof;
FIG. 3 is a front elevation view thereof;
FIG. 4 is a right side elevation view thereof;
FIG. 5 is a rear elevation view thereof;
FIG. 6 is a left side elevation view thereof;
FIG. 7 is a bottom plan view thereof; and,
FIG. 8 is a top, front, right side perspective view thereof.
The broken lines illustrate portions of the beverage machine
that form no part of the claimed design.

1 Claim, 4 Drawing Sheets



(56)

References Cited

U.S. PATENT DOCUMENTS

D497,278 S 10/2004 Picozza et al.
D498,110 S 11/2004 Picozza et al.
D511,066 S 11/2005 Garner
D546,112 S 7/2007 Rorke et al.
D585,229 S 1/2009 de Visser
D590,652 S 4/2009 Cesaroni et al.
D600,492 S 9/2009 Hammad et al.
8,210,095 B2* 7/2012 Brezovnik A47J 31/369
99/295
D666,051 S * 8/2012 de Pra D7/309
D666,451 S * 9/2012 Cheng D7/309
D672,187 S 12/2012 Milewski et al.
D677,510 S 3/2013 Tetreault
D695,054 S * 12/2013 De Pra D7/309
8,609,170 B2 12/2013 Tinkler et al.
D718,414 S 11/2014 Lo et al.
D718,565 S * 12/2014 Spagnolo D7/309
D721,531 S 1/2015 Krasne
D728,986 S * 5/2015 De'Longhi D7/309
D728,988 S * 5/2015 Warburton D7/309
D730,674 S * 6/2015 De'Longhi A47J 31/4482
D730,674 S * 6/2015 De'Longhi D7/309
D755,000 S * 5/2016 Lovati D7/306
D755,001 S 5/2016 Lintner
D758,120 S 6/2016 Garman et al.
9,516,969 B2 12/2016 Weflen
D777,498 S * 1/2017 Bandixen D7/306
D796,885 S * 9/2017 Wang D7/309
D812,952 S 3/2018 Fedorak et al.
D817,061 S * 5/2018 Lissoni B67D 1/0888
D817,061 S * 5/2018 Lissoni D7/309
D830,756 S 10/2018 Cahen
D831,398 S * 10/2018 Cahen D7/306
D836,371 S * 12/2018 Cahen D7/306
D838,532 S * 1/2019 Seidl D7/311
D841,383 S * 2/2019 Warburton D7/306
D843,765 S 3/2019 Fedorak et al.
D860,706 S 9/2019 Koury et al.
D862,143 S * 10/2019 Stefanoni D7/309
D869,900 S 12/2019 Koury et al.
D872,513 S * 1/2020 Kaplan D7/306
D877,551 S * 3/2020 Nalen A47J 31/369
D877,551 S * 3/2020 Nalen D7/306
D877,563 S 3/2020 Cauwood et al.
D879,530 S * 3/2020 Cauwood D7/306
D879,531 S * 3/2020 Cauwood D7/306
D879,532 S 3/2020 Kaplan et al.
D882,336 S * 4/2020 Cauwood D7/397
D891,847 S * 8/2020 Seidl D7/309
D893,945 S 8/2020 Cauwood et al.
D894,661 S 9/2020 Yin et al.
2010/0263550 A1* 10/2010 Cahen A47J 31/5253
99/323.1
2015/0289713 A1 10/2015 Tahincioglu
2018/0002153 A1* 1/2018 Kim B67D 1/0888
2021/0002121 A1* 1/2021 Jang A47J 31/4482

FOREIGN PATENT DOCUMENTS

CN 301583310 * 6/2011
CN 301858331 S 3/2012
CN 302786863 S 4/2014
CN 303210251 * 5/2015
CN 304215551 * 7/2017
CN 305001840 S 1/2019
CN 306311147 * 2/2021
IN 285083-0001 S 8/2017
JP D1542100 S 1/2016
KR 300798889.0000 * 6/2015
RU 00103520 S 5/2017
RU 00116099 S 8/2019
WO D082273-001 S 5/2014
WO WO-D086548-001 * 11/2015

OTHER PUBLICATIONS

Keurig, "Keurig K-Mini Plus Coffee Maker," Aug. 10, 2018, Amazon.com, www.amazon.com/dp/B07DR89BR6 (Year: 2018).*

Espressotoria, "Espressotoria Caprista White Espresso Coffee Pod Machine," Feb. 20, 2018, Walmart.com, www.walmart.com/ip/Espressotoria-Caprista-White-Espresso-Coffee-Pod-Machine/755827387 (Year: 2018).*

Nature Of Art—Home Improvement, "ARISSTO Live Store in KL My Town," Jan. 20, 2018, Facebook.com, www.facebook.com/watch/?v=523100098058699 (Year: 2018).*

Gogola, Sebastian, "DeLonghi EC685 Dedicca review," May 9, 2018, Sebastian Gogola's Interests, <https://sebastiangogola773121735.wordpress.com/2018/05/09/delonghi-ec685-dedicca-review/> (Year: 2018).*

Keurig, "Keurig K-Duo Plus Coffee Maker," Aug. 15, 2019, Amazon.com, www.amazon.com/dp/B07P5W3J29 (Year: 2019).*

TopOffMyCoffeePlease, "Keurig's Multi-Position Water Reservoir on the K-Supreme & the K-Duo Plus: How To Move and Change It," Oct. 29, 2020, YouTube.com, www.youtube.com/watch?v=JVLOY5Y7ROc&t=99s (Year: 2020).*

Keurig, "Keurig K-Slim Coffee Maker," Apr. 2, 2020, Amazon.com, www.amazon.com/dp/B083248S3B (Year: 2020).*

[No Author Listed] Image of Breville BKC600XL, publicly available prior to Feb. 5, 2018, 1 page.

[No Author Listed] Images of Keurig K-Mini. Available Aug. 2018, 1 page.

[No Author Listed] Images of Keurig K-Mini Plus. Available Aug. 2, 2018, 1 page.

[No Author Listed] Keurig K-Mini Coffee Maker available Aug. 2018. Amazon.com, Available from internet URL: <https://www.amazon.com/Keurig-K-Mini-Single-Serve-Coffee/dp/B07GV2S1GS>. Site visited Sep. 14, 2021. 4 pages.

Denmead, Geek Daily Deals Dec. 21, 2017: Nespresso Essenza Mini by Breville, Darling 'Star Wars' Throw Pillow Covers. GeekDad.com. <https://geekdad.com/2017/12/geek-daily-deals-dec-21-2017-nespresso-star-wars-pillows-2/>. Dec. 21, 2017.

* cited by examiner

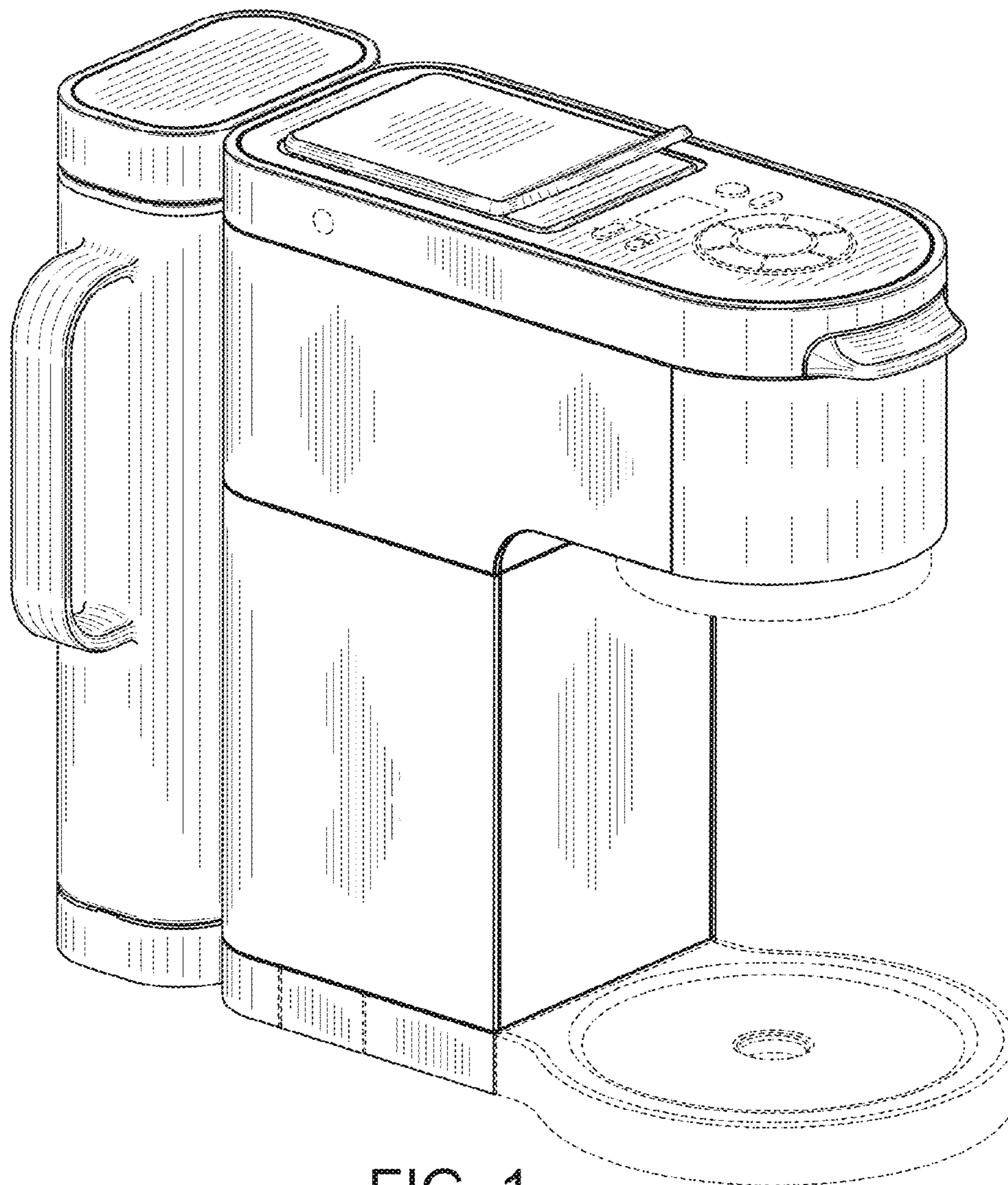


FIG. 1

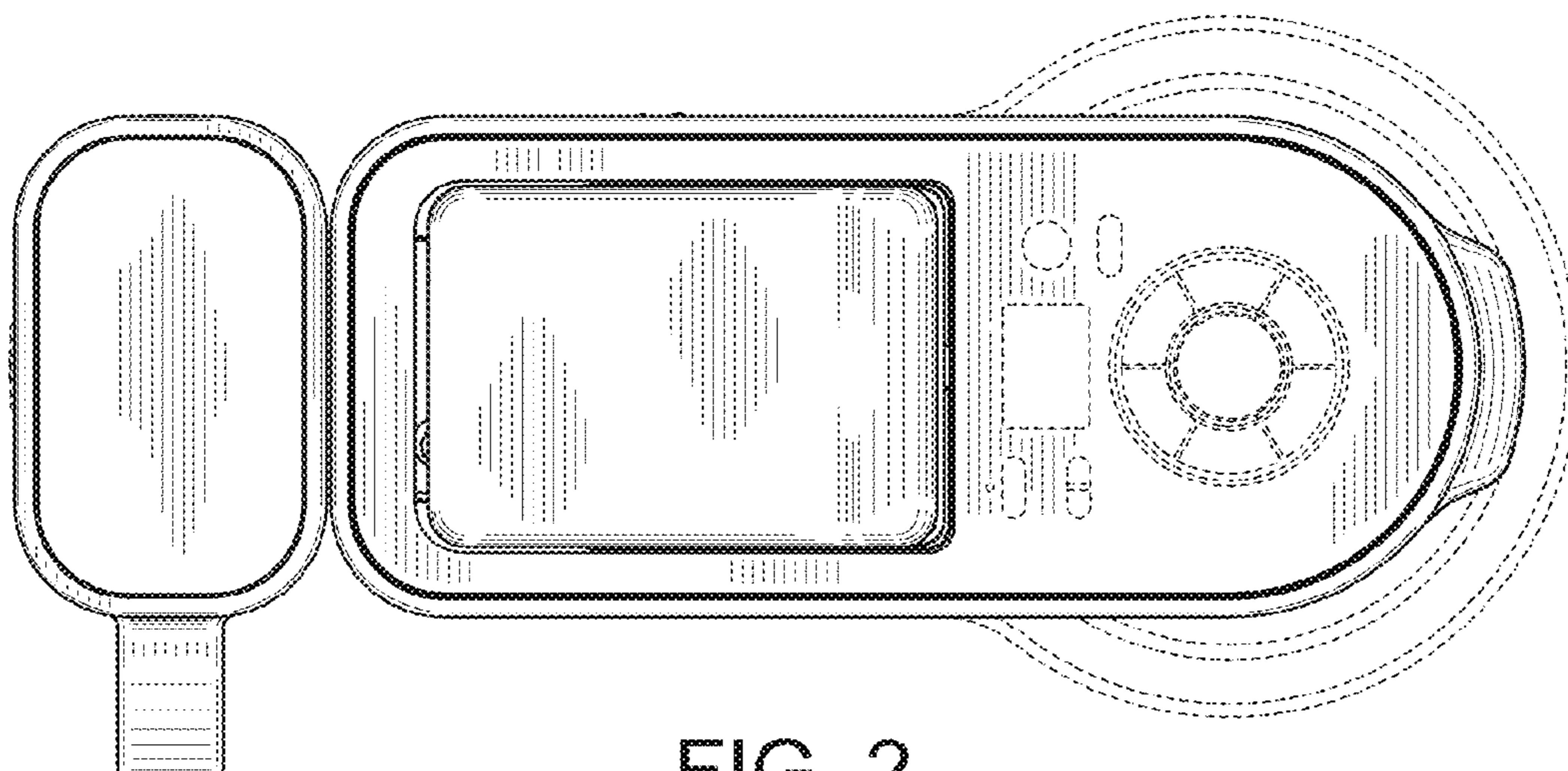


FIG. 2

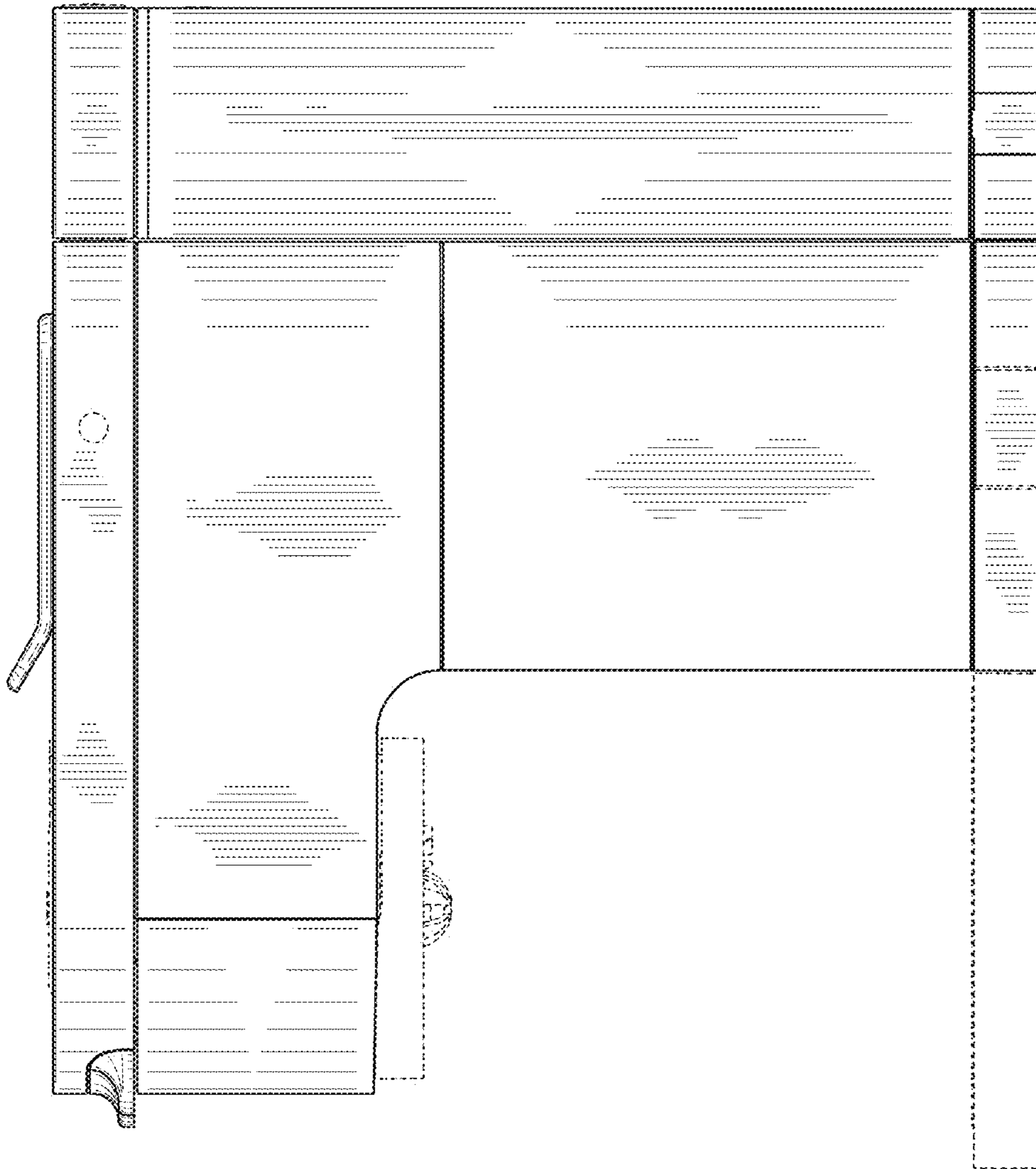


FIG. 3

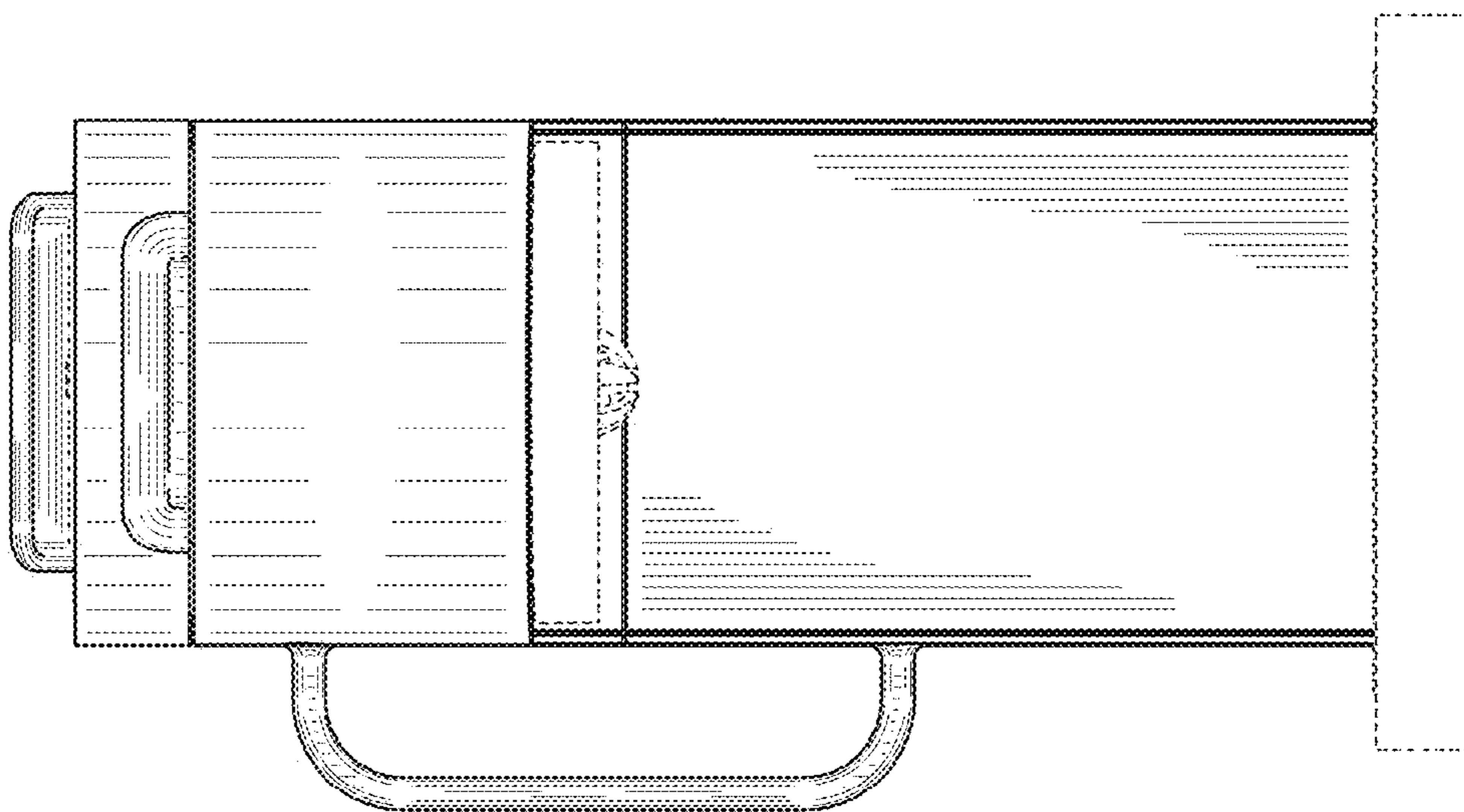


FIG. 4

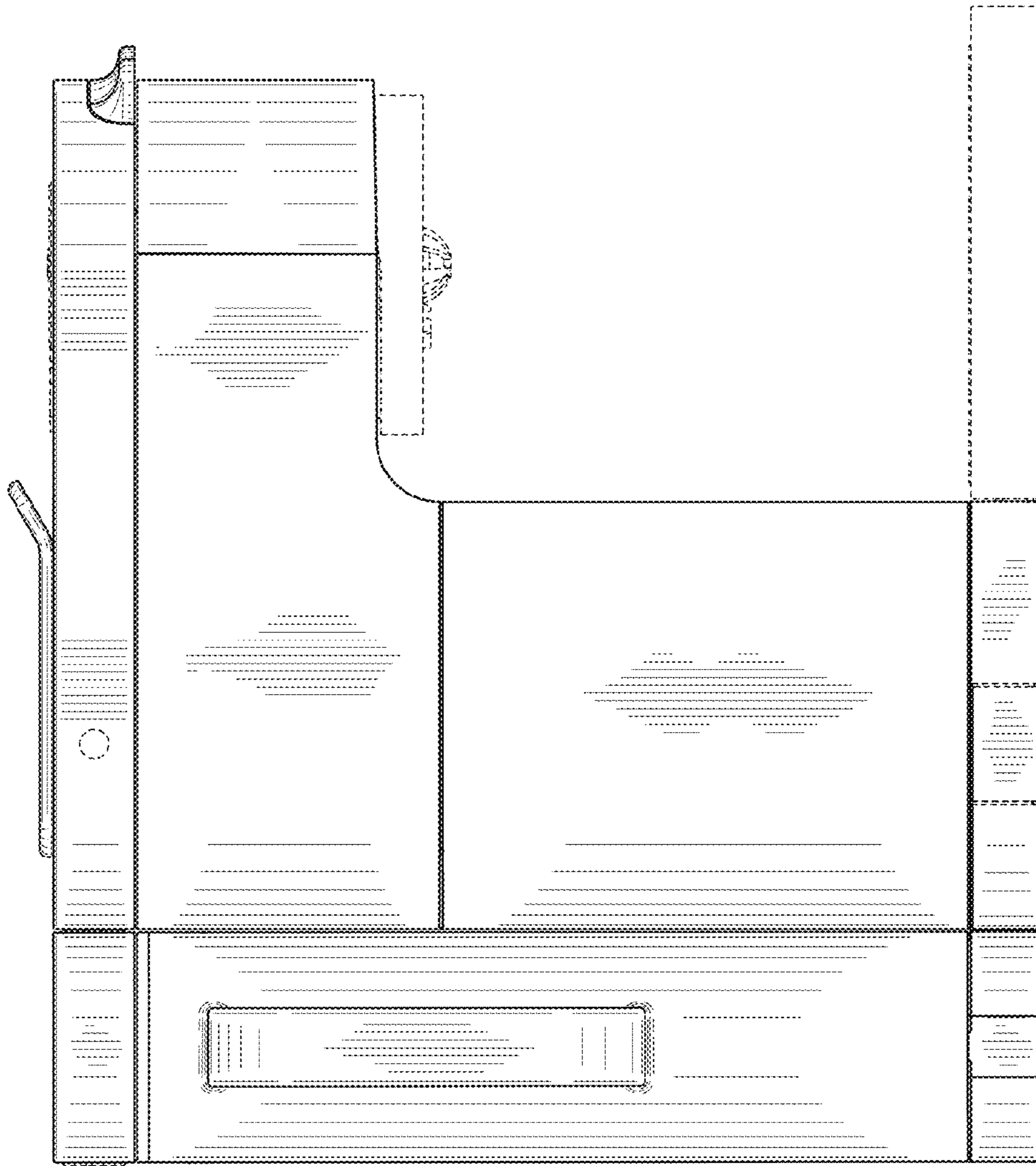


FIG. 6

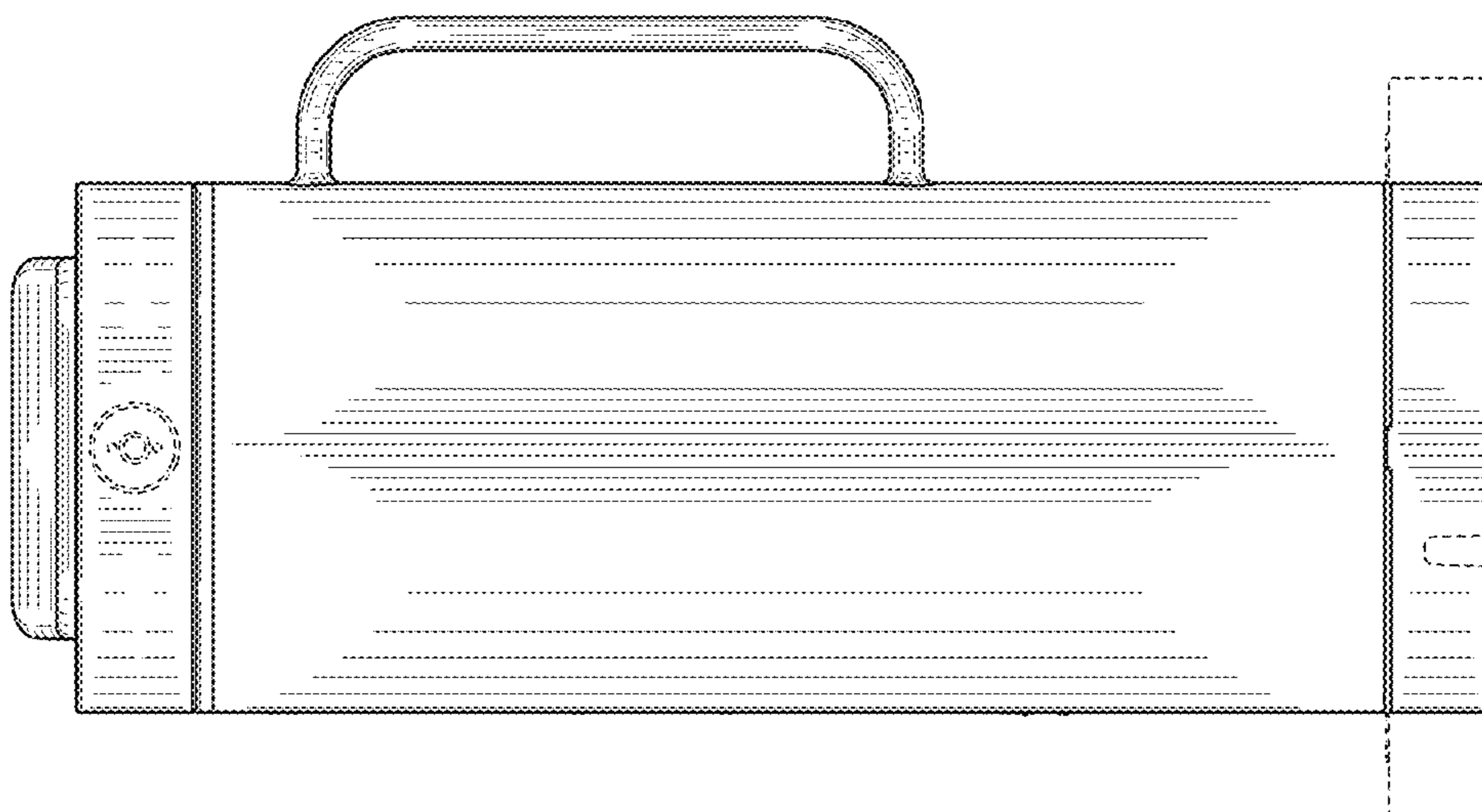


FIG. 5

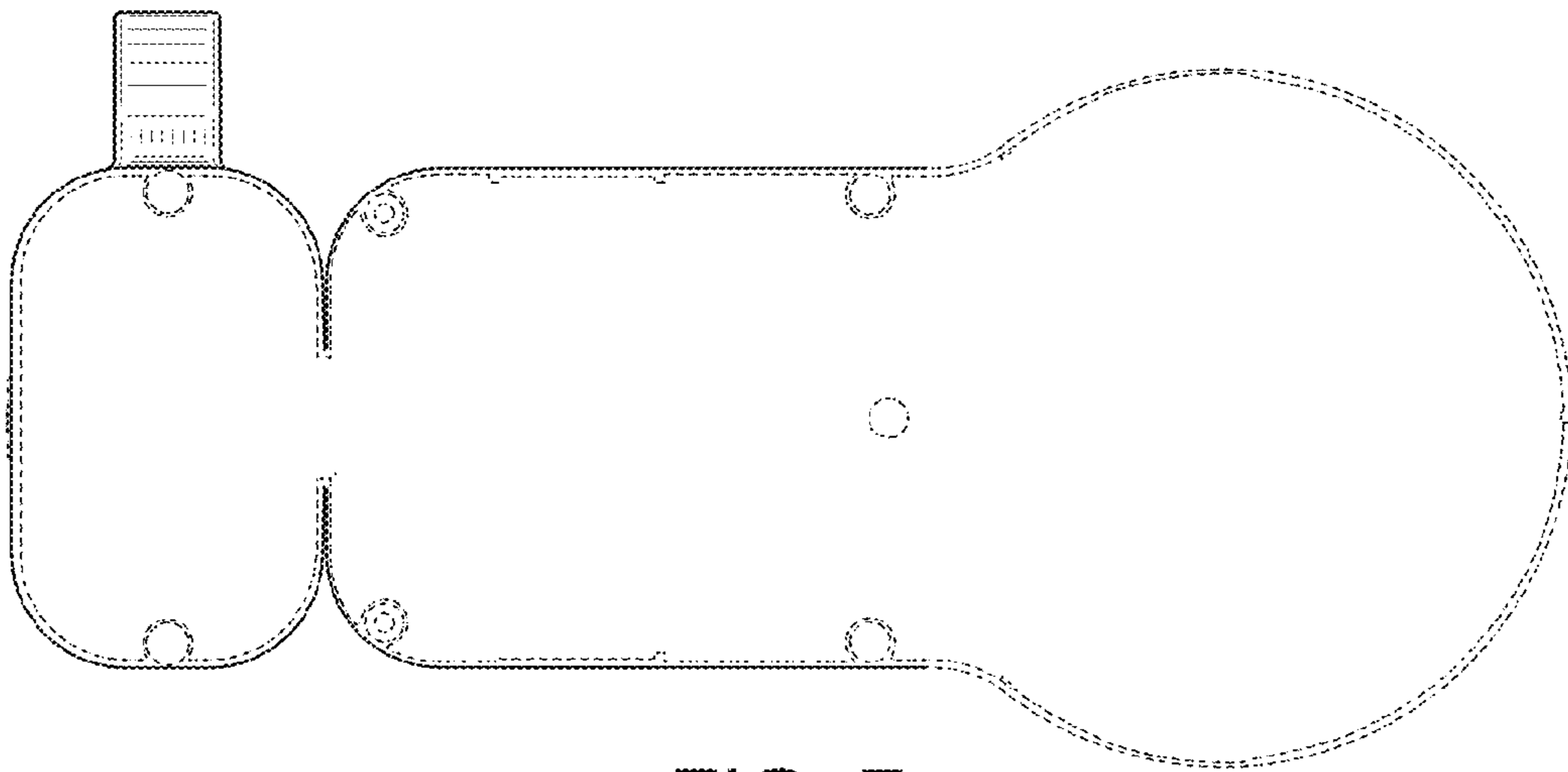


FIG. 7

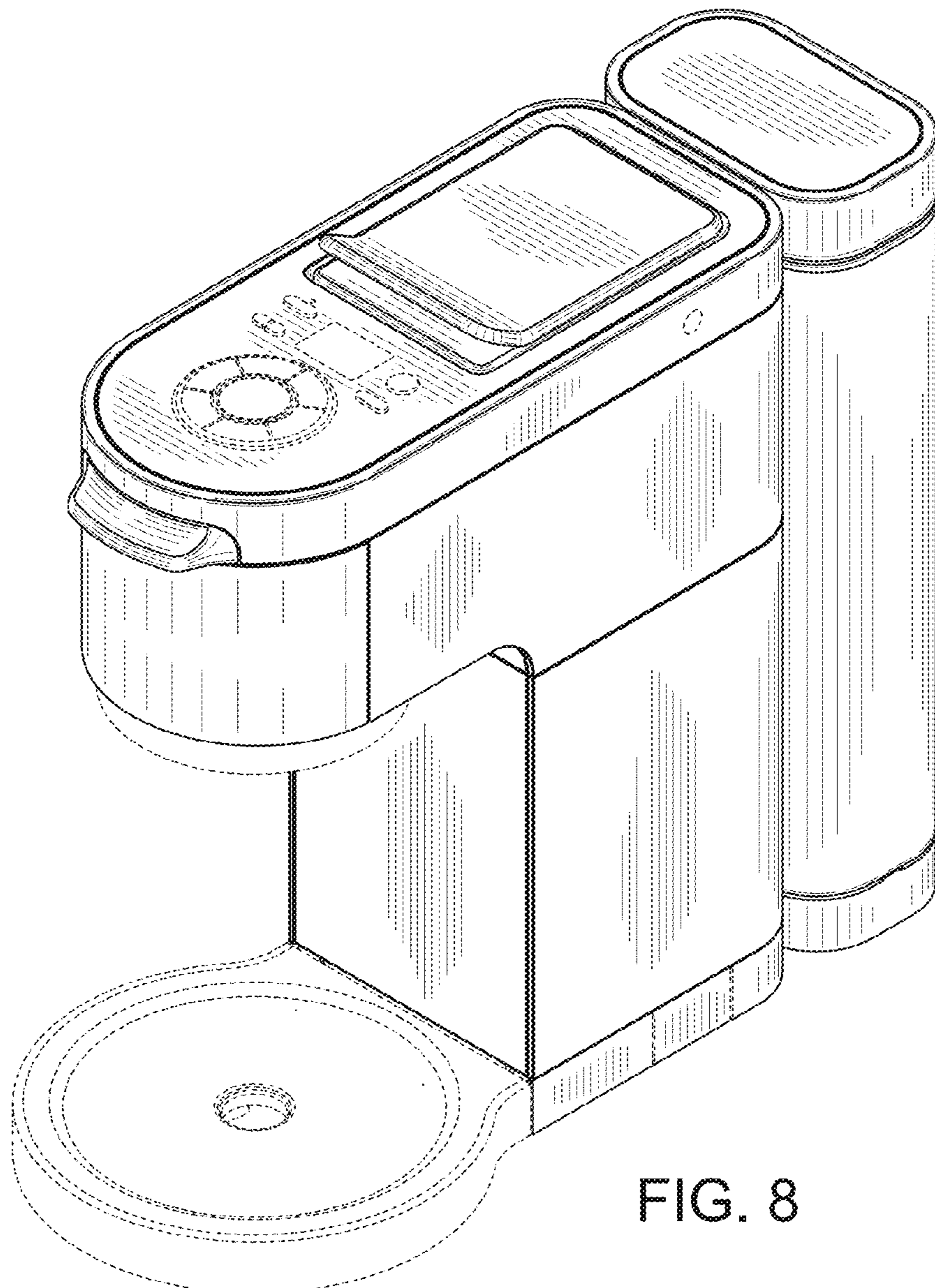


FIG. 8