



US00D945200S

(12) **United States Design Patent**
Kolberg

(10) **Patent No.:** **US D945,200 S**

(45) **Date of Patent:** **** Mar. 8, 2022**

(54) **OFFICE CHAIR PART**

(71) Applicant: **BOCK 1 GMBH & CO. KG,**
Postbauer-Heng (DE)

(72) Inventor: **Justus Kolberg,** Hamburg (DE)

(73) Assignee: **BOCK 1 GmbH & Co. KG,**
Postbauer-Heng (DE)

(**) Term: **15 Years**

(21) Appl. No.: **29/706,700**

(22) Filed: **Sep. 23, 2019**

(30) **Foreign Application Priority Data**

Mar. 26, 2019 (EM) 006336582-0012

(51) **LOC (13) Cl.** **06-06**

(52) **U.S. Cl.**
USPC **D6/716.7**

(58) **Field of Classification Search**
USPC D6/334-336, 364, 365, 366, 367, 374,
D6/375, 716, 716.1, 716.4, 716.7
CPC A47C 7/002; A47C 7/004; A47C 7/006;
A47C 7/18; A47C 7/24; A47C 7/40;
A47C 4/028; A47C 7/46; A47C 3/18;
A47C 3/20; A47C 1/031; A47C 1/03255

See application file for complete search history.

(56) **References Cited**

U.S. PATENT DOCUMENTS

D859,901 S * 9/2019 Costaglia D6/716.7
D905,988 S * 12/2020 Ephgrave D6/366
D918,635 S * 5/2021 Donati D6/716.7
D921,385 S * 6/2021 Li D6/366

* cited by examiner

Primary Examiner — Mimoso De

(74) *Attorney, Agent, or Firm* — Laurence A. Greenberg;
Werner H. Stemer; Ralph E. Locher

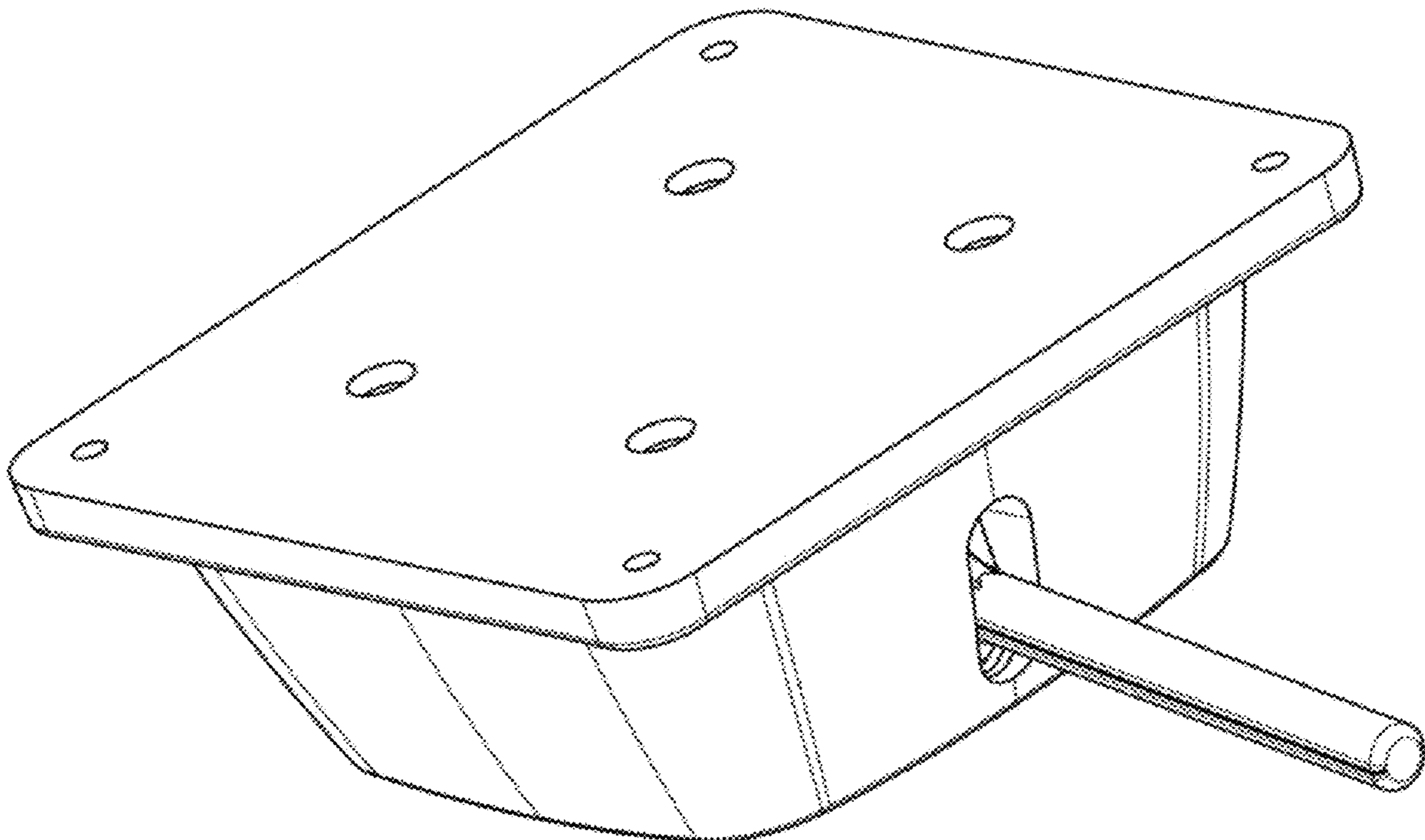
(57) **CLAIM**

The ornamental design for an office chair part, as shown and described.

DESCRIPTION

FIG. 1 is a front elevation view of the office chair part showing my new invention;
FIG. 2 is a rear elevation view thereof;
FIG. 3 is a left side elevation view thereof;
FIG. 4 is a right side elevation view thereof;
FIG. 5 is a top plan view thereof;
FIG. 6 is a bottom plan view thereof;
FIG. 7 is a front perspective view thereof; and,
FIG. 8 is a rear perspective plan view thereof.
The broken lines show environmental structure and form no part of the claimed design.

1 Claim, 8 Drawing Sheets



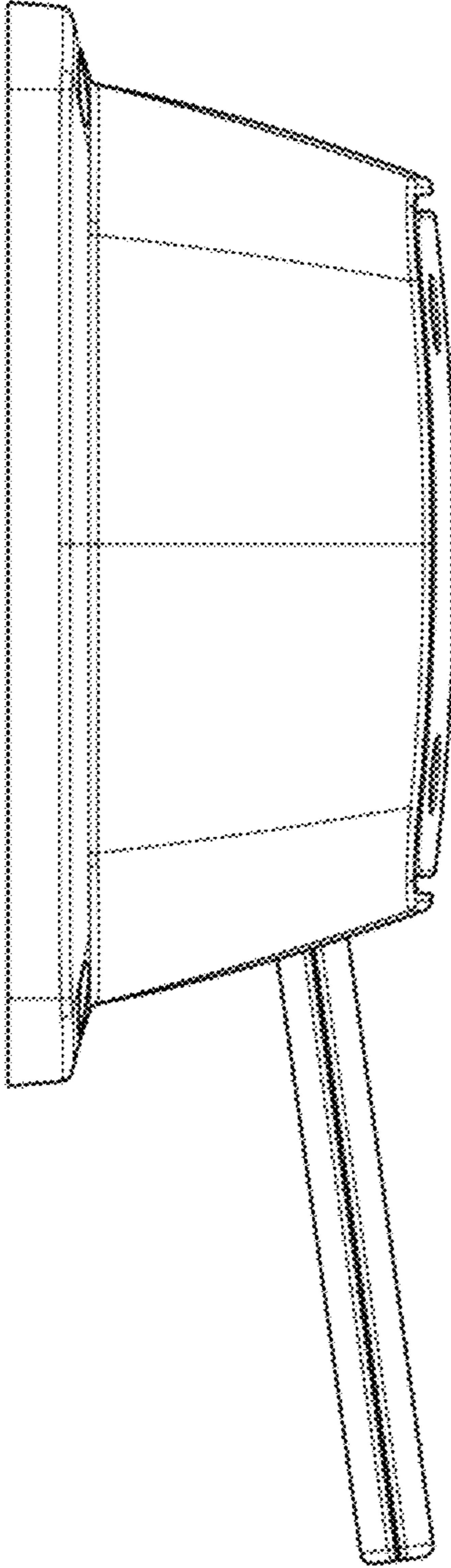


FIG. 1

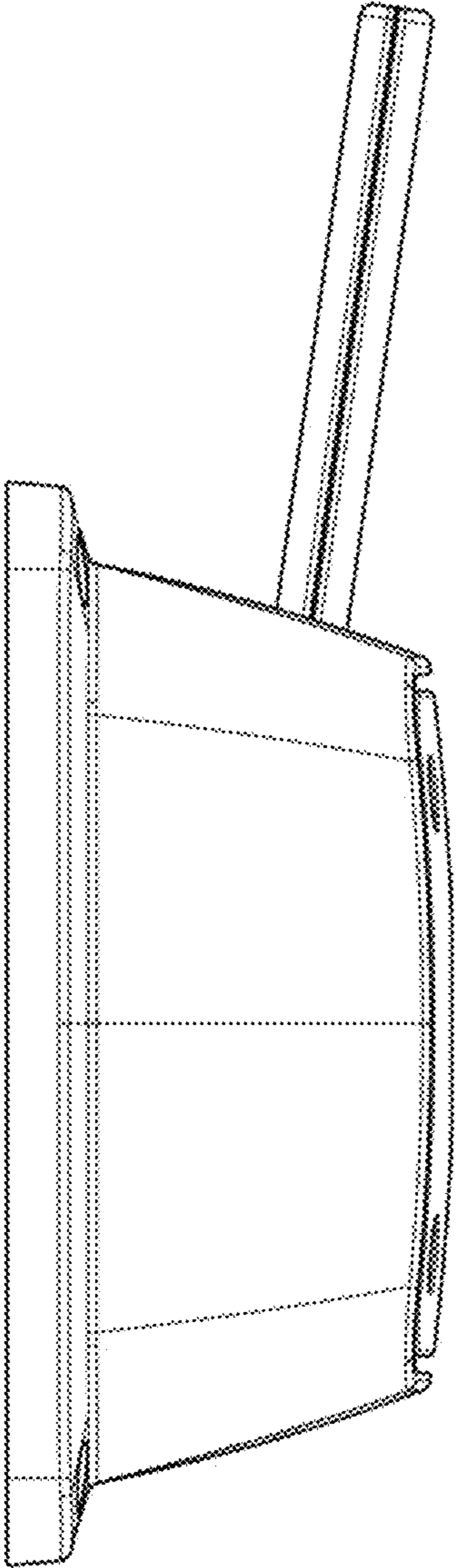


FIG. 2

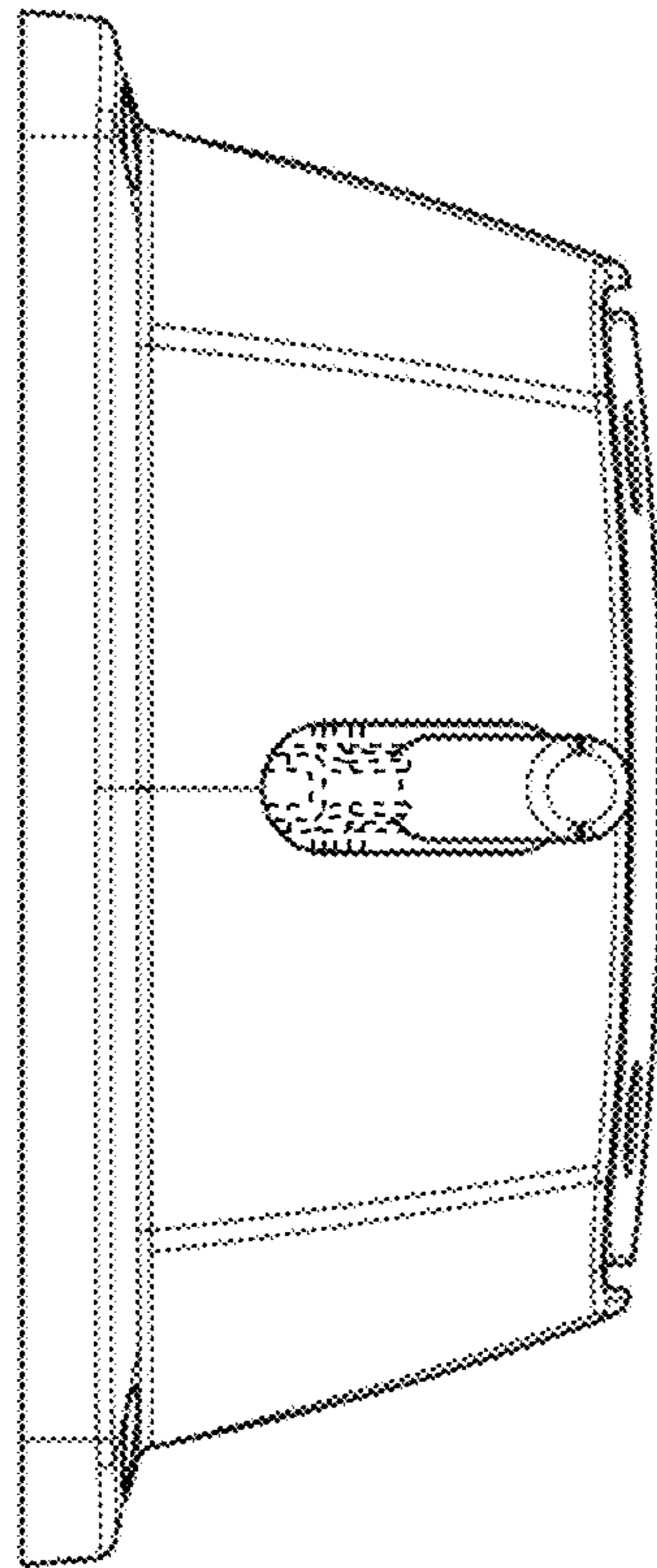


FIG. 3

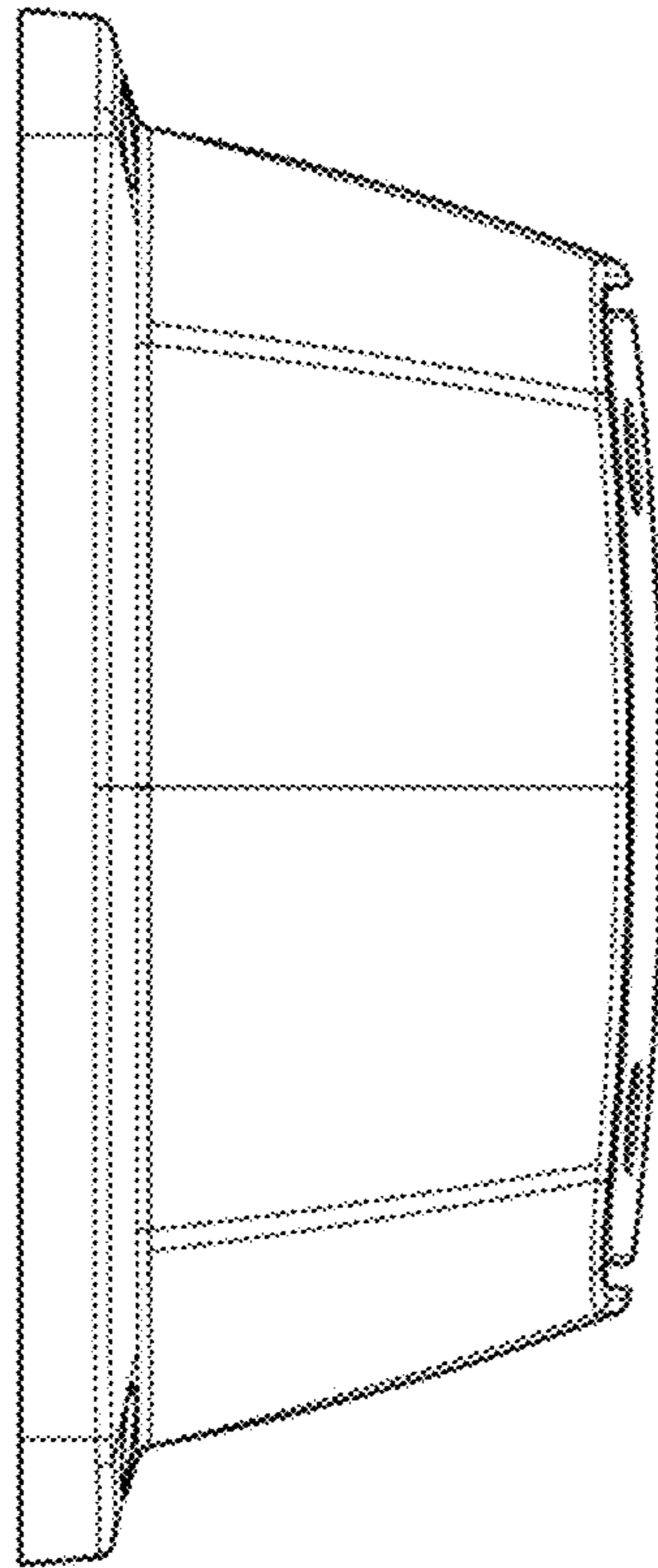


FIG. 4

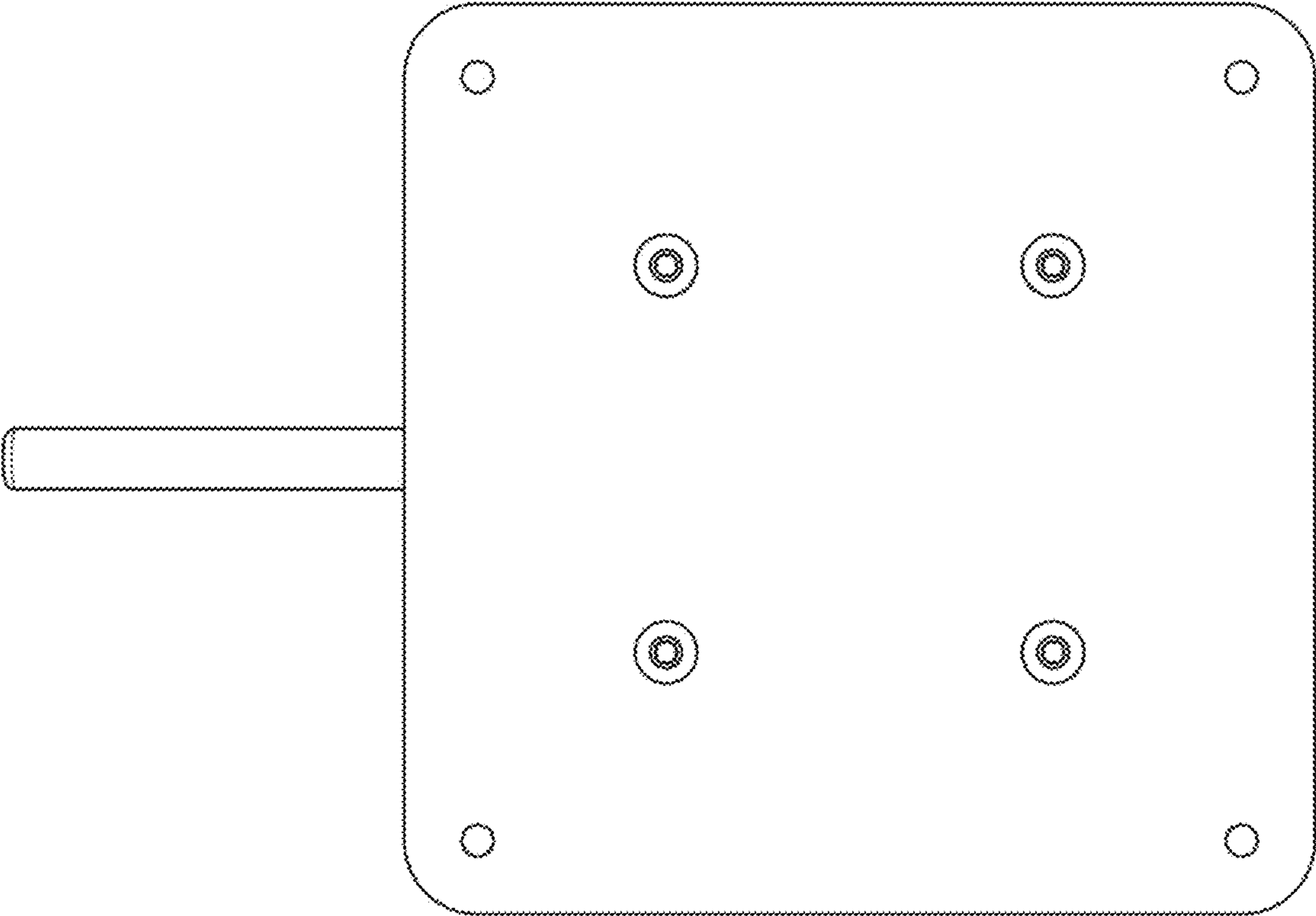


FIG. 5

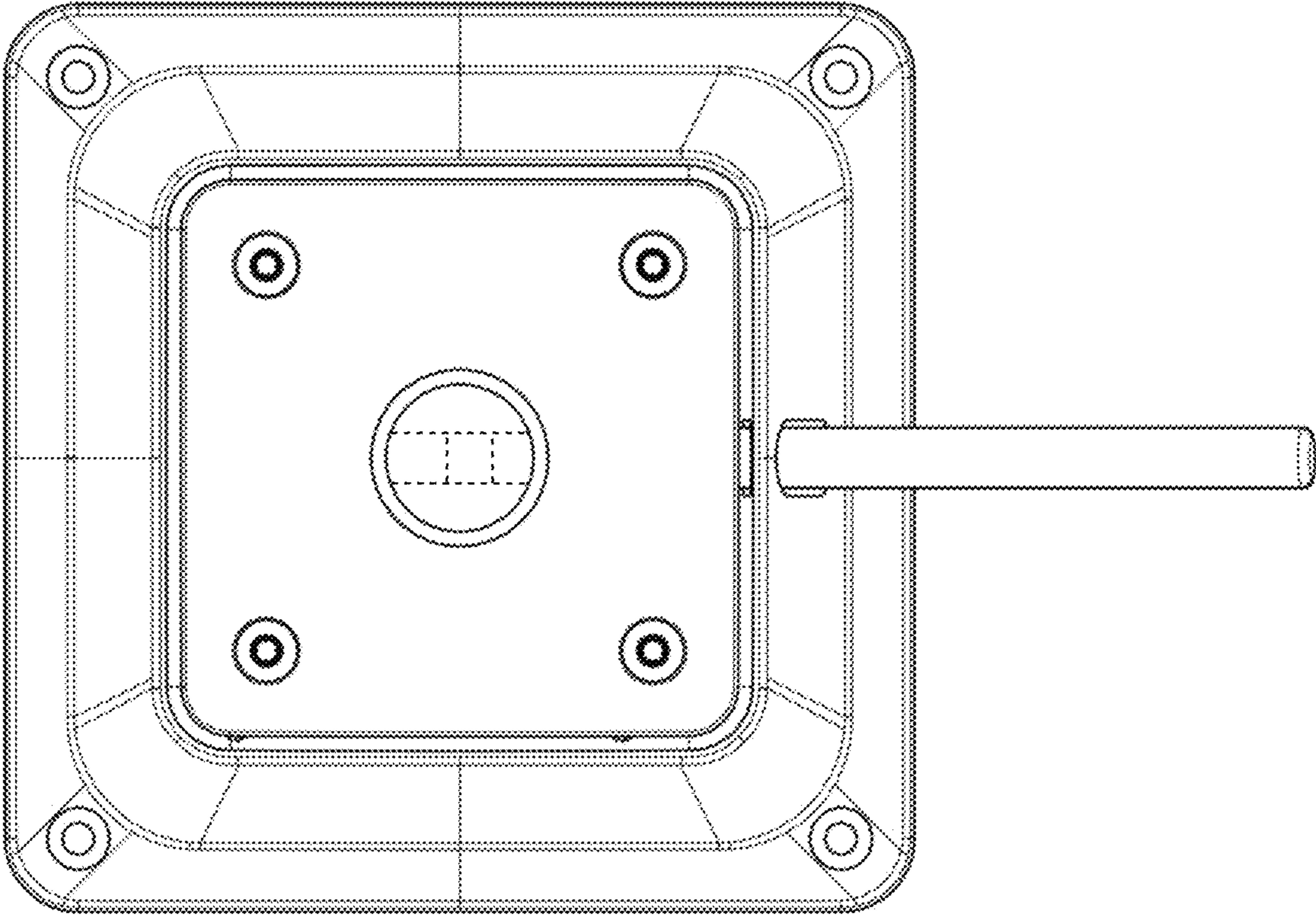


FIG. 6

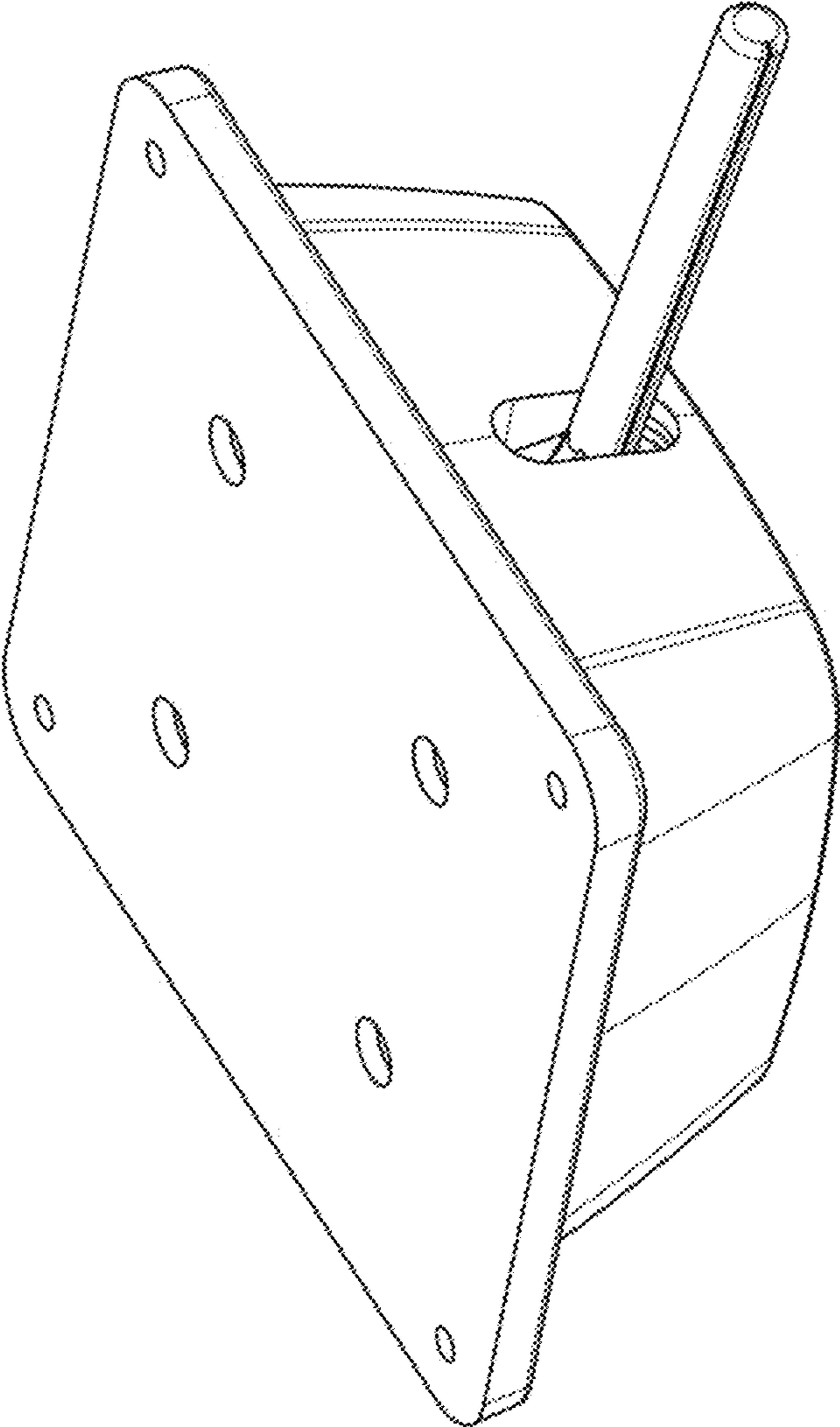


FIG. 7

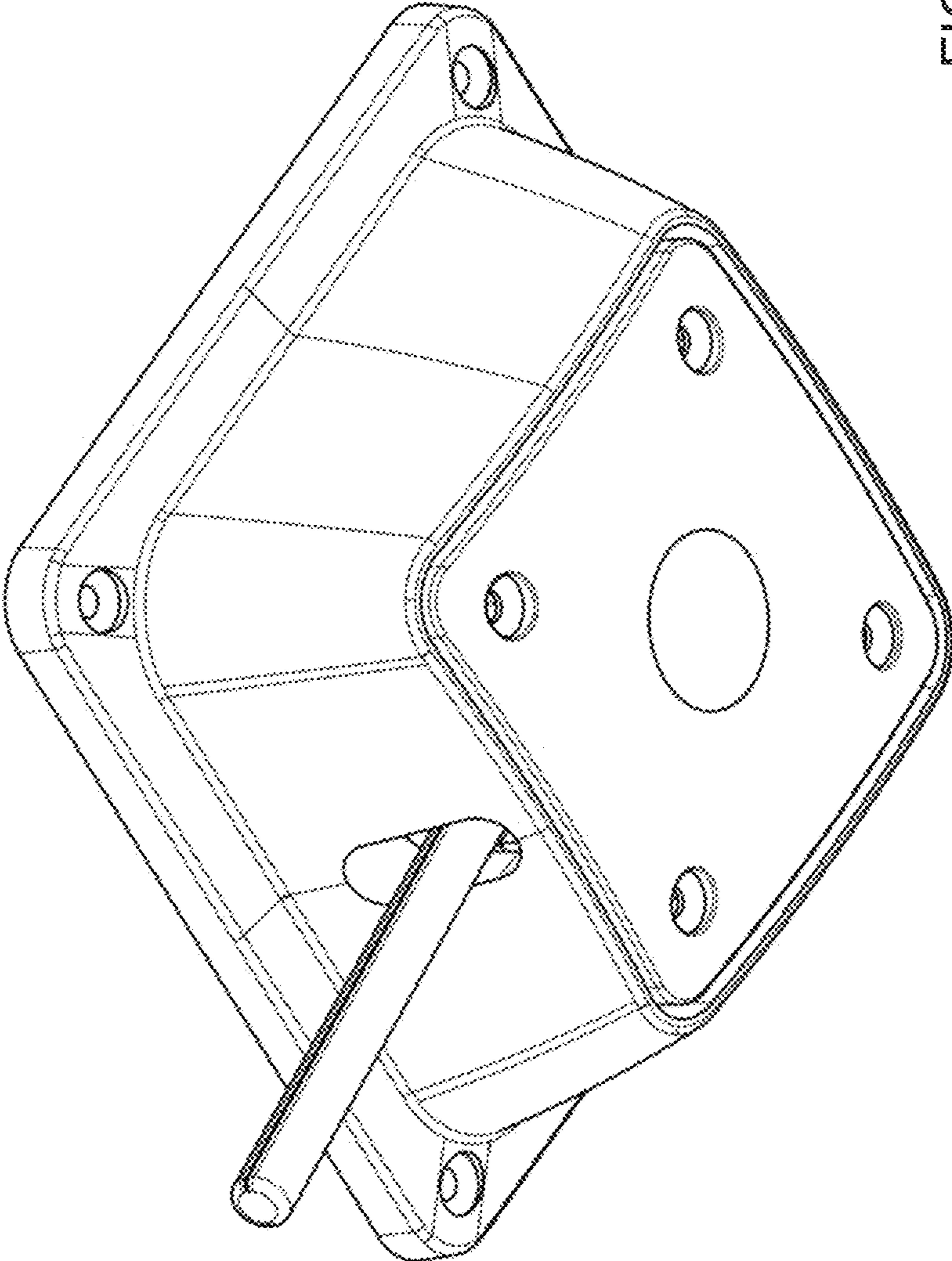


FIG. 8