



US00D945199S

(12) **United States Design Patent**
Dubgaard

(10) **Patent No.:** **US D945,199 S**
(45) **Date of Patent:** **** Mar. 8, 2022**

(54) **FOOTREST FOR CHAIR OR SEAT**

(56) **References Cited**

(71) Applicant: **Gonge Creative Learning ApS**, Them (DK)

(72) Inventor: **Peter Dubgaard**, Sydals (DK)

(**) Term: **15 Years**

(21) Appl. No.: **35/510,271**

(22) Filed: **Jun. 30, 2020**

(80) **Hague Agreement Data**

Int. Filing Date: **Jun. 30, 2020**

Int. Reg. No.: **DM/210043**

Int. Reg. Date: **Jun. 30, 2020**

Int. Reg. Pub. Date: **Sep. 4, 2020**

(30) **Foreign Application Priority Data**

Dec. 30, 2019 (EM) 007461819-0001

(51) **LOC (13) Cl.** **06-06**

(52) **U.S. Cl.**
USPC **D6/716.6**

(58) **Field of Classification Search**

USPC D6/334, 349, 702, 716, 716.1
CPC A47C 7/00; A47C 7/02; A47C 7/50; A47C
7/506; A47C 7/52; A47C 16/00; A47C
16/02; A47C 16/025; A47K 3/12; A47K
3/281

See application file for complete search history.

U.S. PATENT DOCUMENTS

2,473,947	A *	6/1949	Hamstrom	B60N 2/62 297/423.45
2,818,577	A *	1/1958	Kubik	A47K 3/125 4/611
3,161,435	A *	12/1964	Halverson	B60N 2/62 297/423.39
D596,417	S *	7/2009	Bowen	A45D 27/00 D6/353
10,172,468	B2 *	1/2019	Houghson	A47C 16/00
10,555,613	B1 *	2/2020	Harris	A47C 16/025
2016/0037972	A1 *	2/2016	Brown	A45D 27/00 4/611
2017/0354263	A1 *	12/2017	Houghson	F16M 11/28

* cited by examiner

Primary Examiner — Mary Ann Calabrese

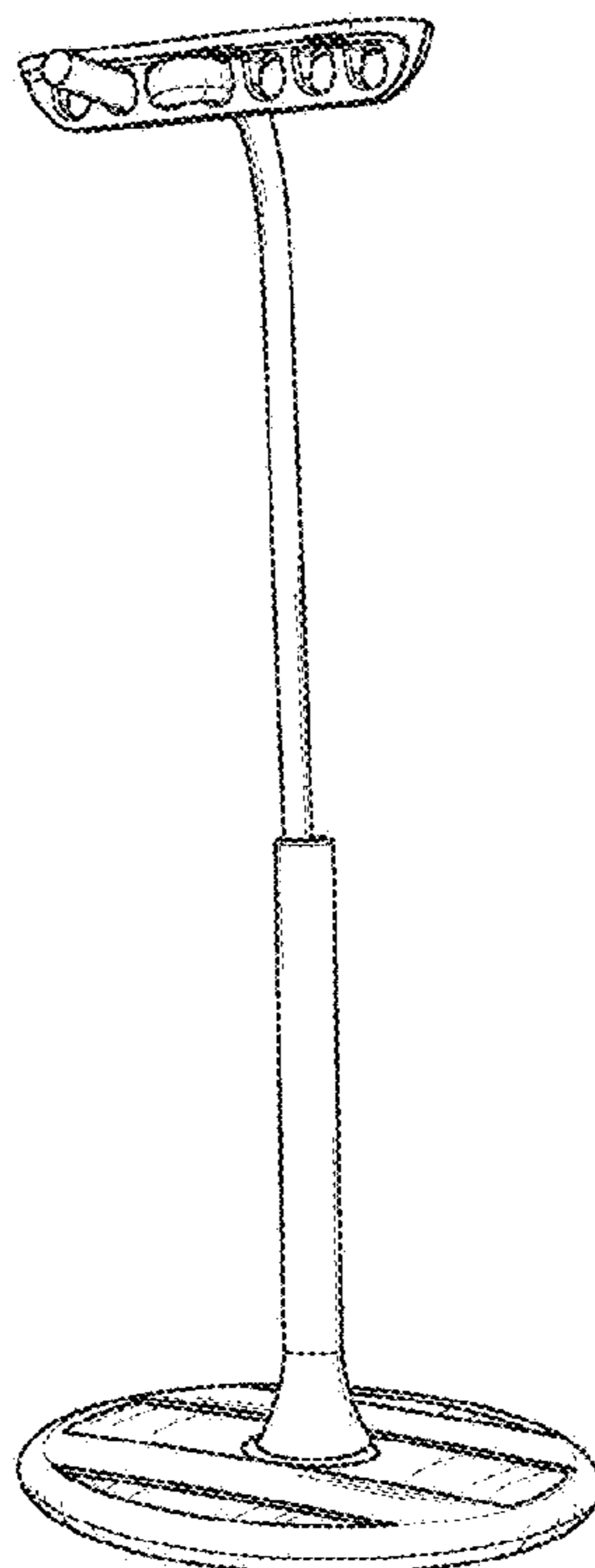
(57) **CLAIM**

The ornamental design for a footrest for chair or seat, as shown and described.

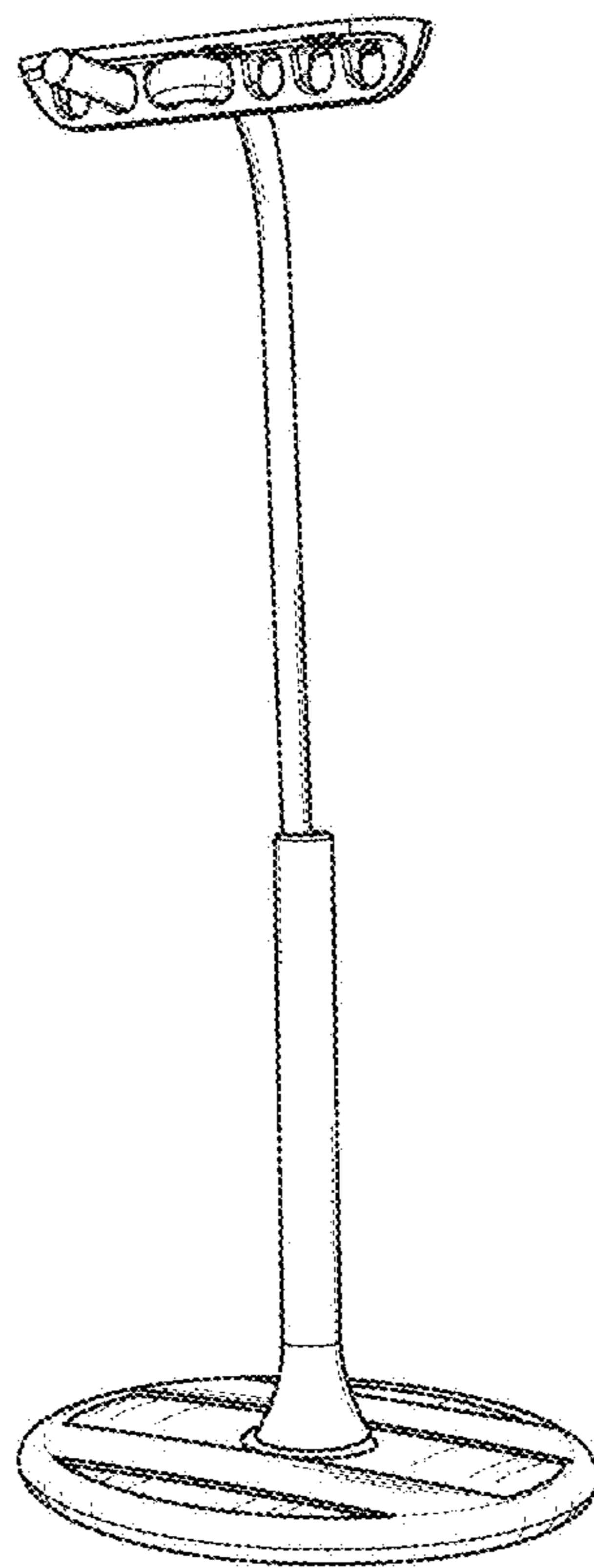
DESCRIPTION

1. Footrest for chair or seat
 - 1.1 is a front, right perspective view.
 - 1.2 is a right perspective view.
 - 1.3 is a left perspective view.
 - 1.4 is a rear perspective view.
 - 1.5 is a top view.
 - 1.6 is a front perspective view.
 - 1.7 is a bottom view.
- The broken lines in Fig. 1.7 depict portions of the footrest for chair or seat that form no part of the claimed design.

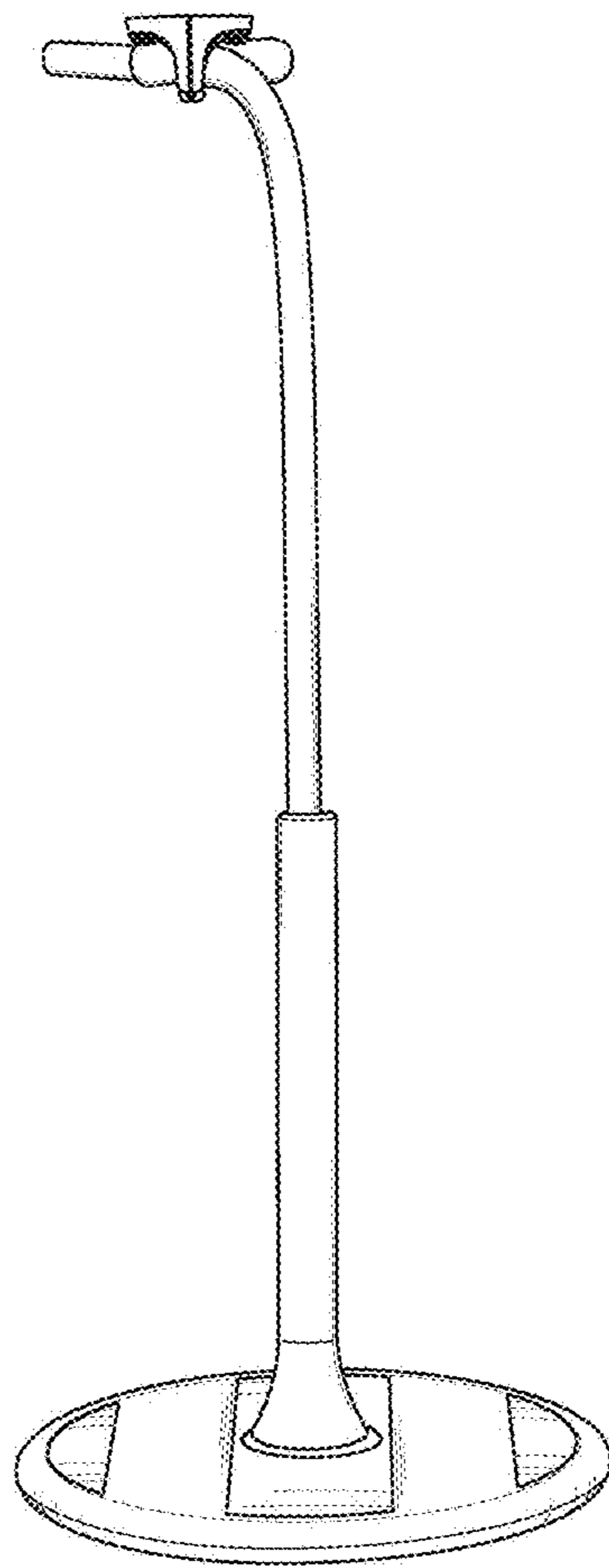
1 Claim, 7 Drawing Sheets



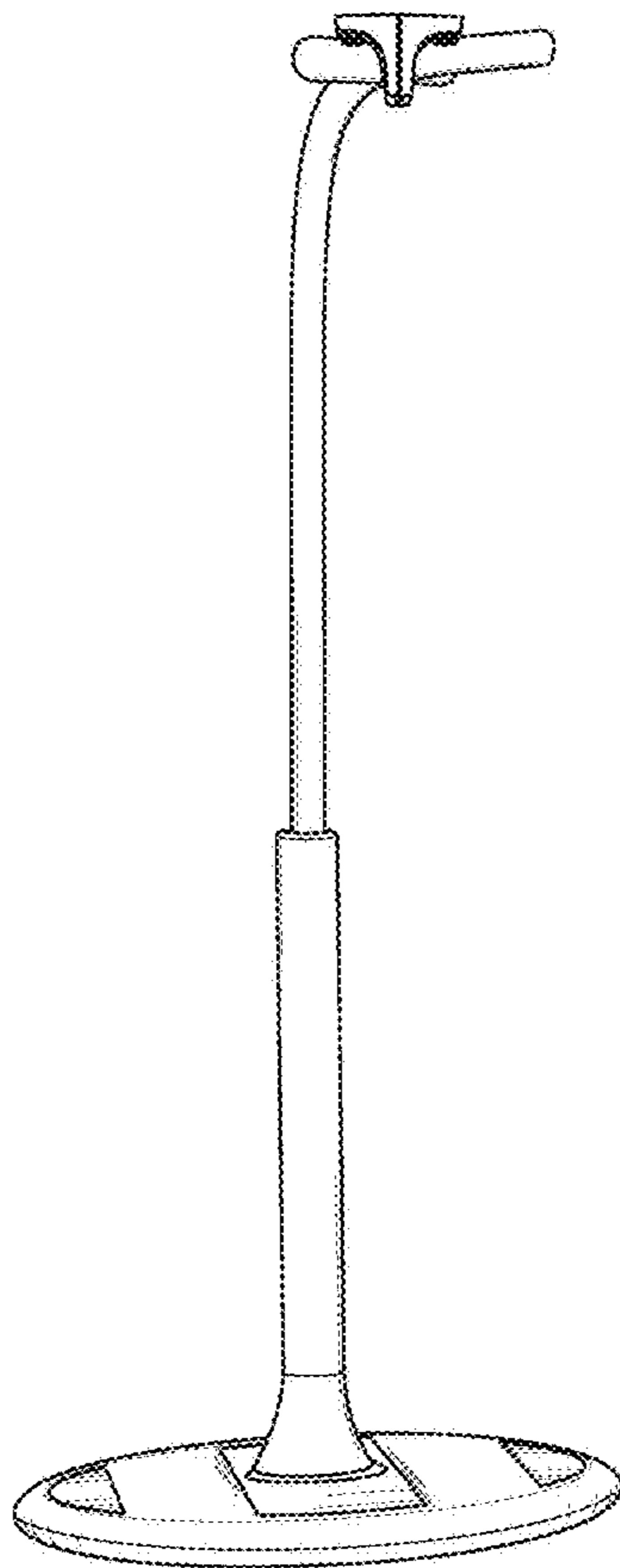
1.1



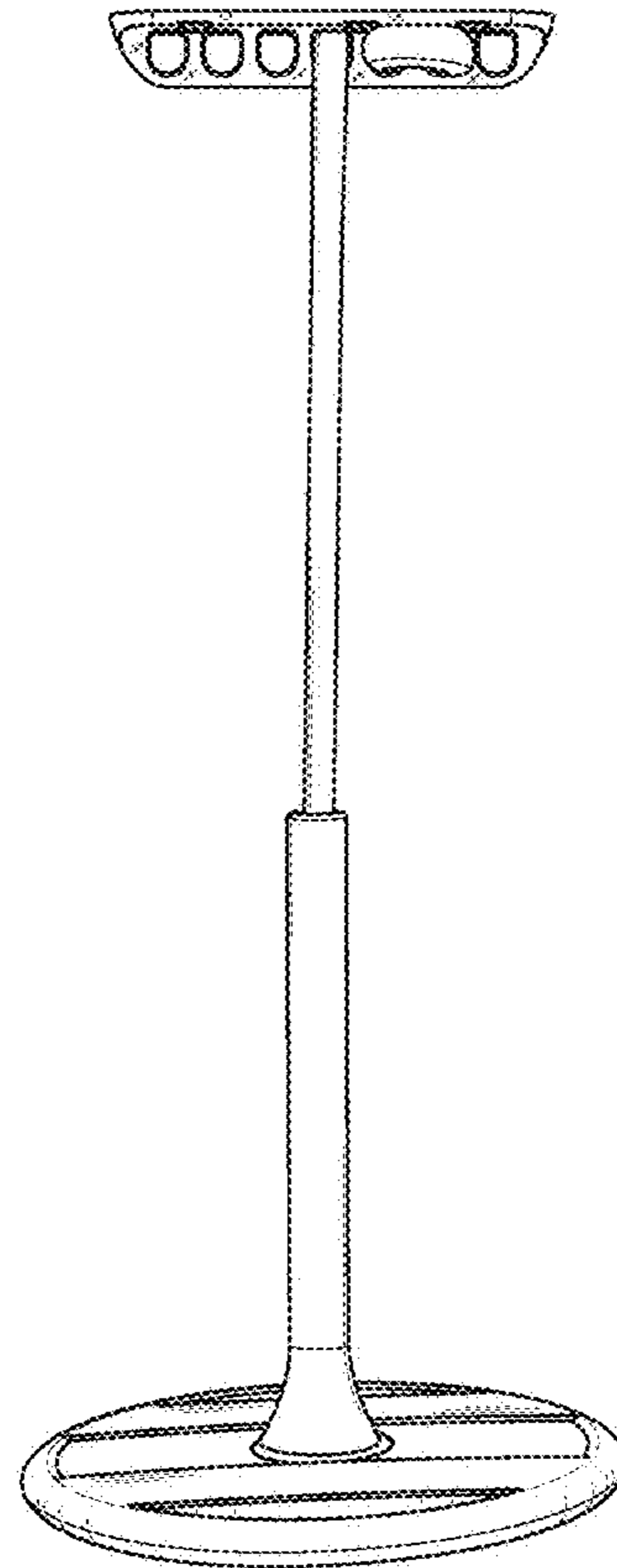
1.2

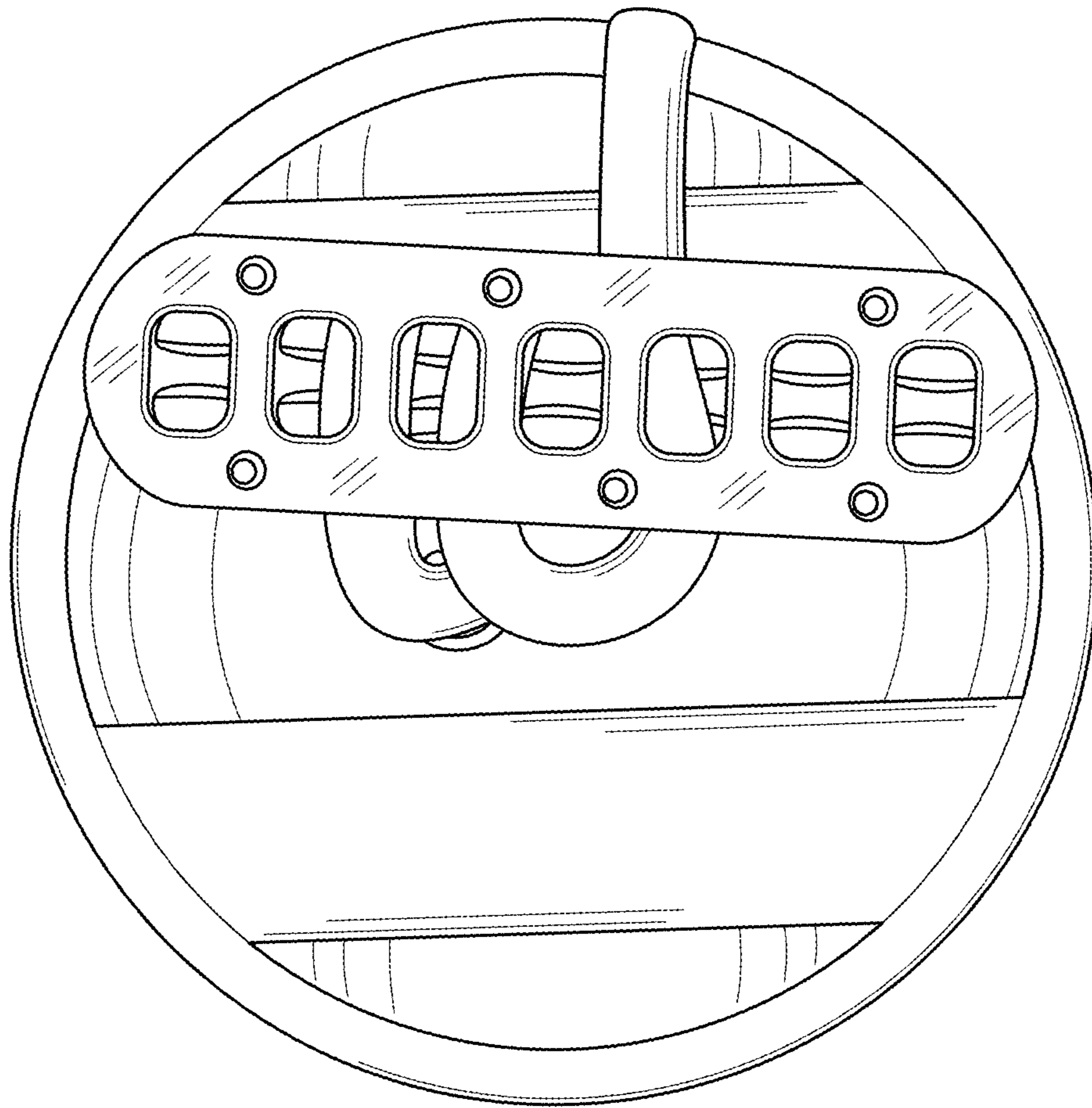


1.3



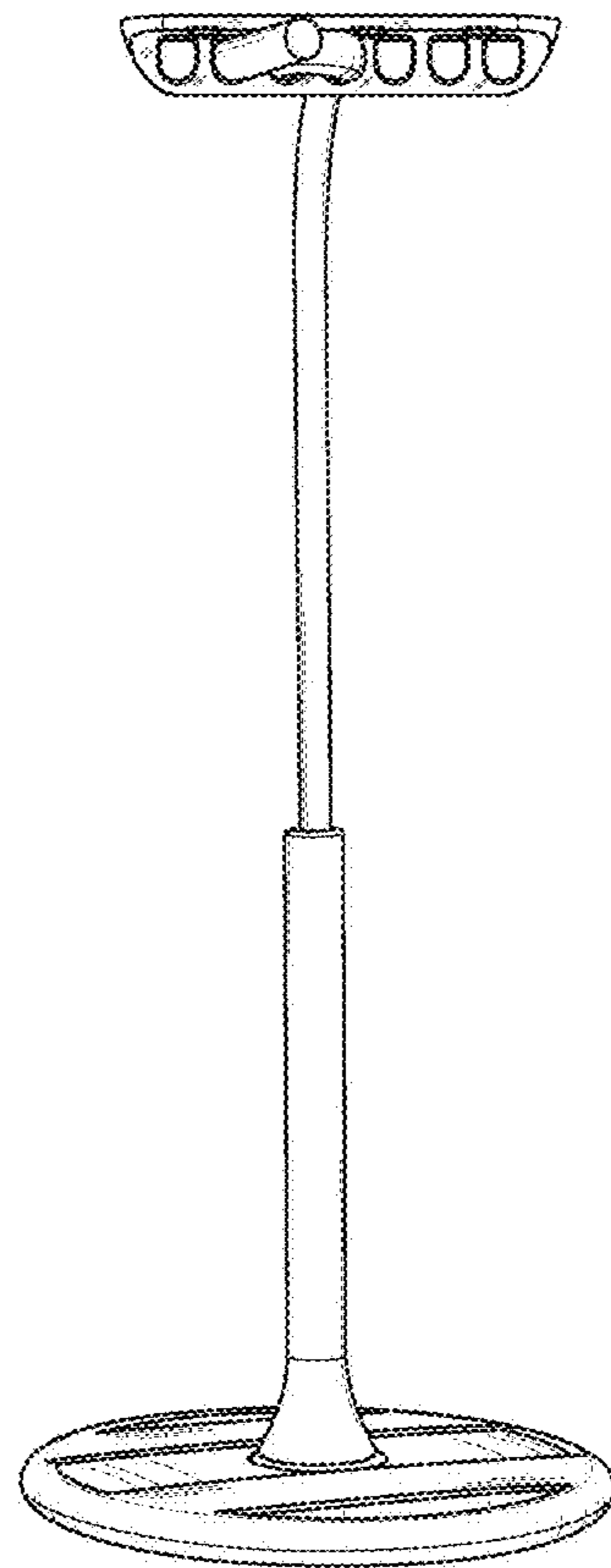
1.4

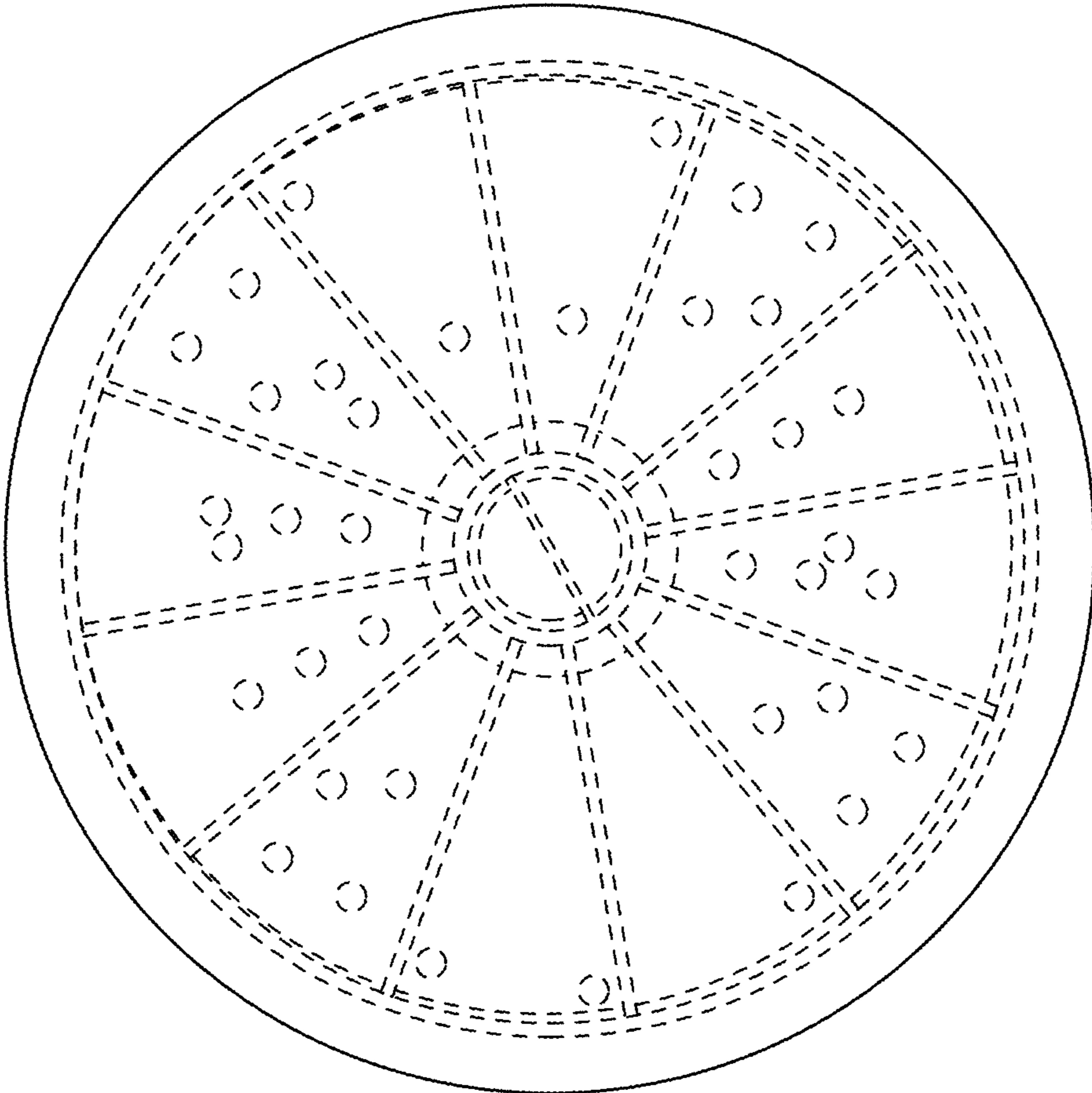




1.5

1.6





1.7