



US00D945198S

(12) **United States Design Patent**
Hughes

(10) **Patent No.:** **US D945,198 S**
(45) **Date of Patent:** **** Mar. 8, 2022**

(54) **COMBINATION DIGGING DEVICE AND HEAD REST**

(71) Applicant: **Sand Lounger LLC**, Salt Lake City, UT (US)

(72) Inventor: **Derek Hughes**, Salt Lake City, UT (US)

(73) Assignee: **Sand Lounger LLC**, Salt Lake City, UT (US)

(**) Term: **15 Years**

(21) Appl. No.: **29/732,184**

(22) Filed: **Apr. 22, 2020**

(51) **LOC (13) Cl.** **06-06**

(52) **U.S. Cl.**
USPC **D6/716.5; D8/354**

(58) **Field of Classification Search**
USPC D6/512, 716.5, 605, 601; D8/1, 10, 11, D8/354, 355

CPC A01B 1/022; A47C 16/00; A47G 9/1045; A47G 9/1081; A61G 13/121; A61G 7/072

See application file for complete search history.

(56) **References Cited**

U.S. PATENT DOCUMENTS

| | | | | | | |
|-----------|-----|---------|---------------|-------|-------------|------------|
| 407,776 | A * | 7/1889 | Harrison | | A47G 9/10 | 5/640 |
| 2,120,310 | A * | 6/1938 | Duncan | | A01N 1/00 | 27/13 |
| 2,663,029 | A * | 12/1953 | Whitley | | A47C 20/043 | 5/634 |
| 3,007,735 | A * | 11/1961 | Cohn | | A47G 9/1045 | 297/184.17 |
| D199,373 | S * | 10/1964 | Alissandratos | | D8/380 | |
| D200,935 | S * | 4/1965 | Alissandratos | | D34/6 | |
| 4,063,318 | A * | 12/1977 | Nicholson | | A47G 9/1045 | 5/656 |

(Continued)

FOREIGN PATENT DOCUMENTS

| | | | |
|----|-----------|---|--------|
| CN | 207612534 | U | 7/2018 |
| CN | 207820571 | U | 9/2018 |

OTHER PUBLICATIONS

Family Struggling—SandLounger, Video post date Jul. 14, 2021, Video retrieval date Oct. 18, 2021, <https://www.youtube.com/watch?v=7WLulw_Y1u8>.*

Primary Examiner — Sandra Snapp

Assistant Examiner — Ieisha N Price

(74) *Attorney, Agent, or Firm* — Thorpe North & Western LLP

(57) **CLAIM**

The ornamental design for the combination digging device and head rest, as shown and described herein.

DESCRIPTION

FIG. 1 is an elevated, perspective view of the combination digging device and head rest in a first configuration in accordance with my invention;

FIG. 2 is a front view thereof;

FIG. 3 is a back view of FIG. 1;

FIG. 4 is a side view of FIG. 1;

FIG. 5 is an opposite side view of FIG. 4;

FIG. 6 is a top view of FIG. 1;

FIG. 7 is a bottom view of FIG. 1;

FIG. 8 is an elevated, perspective view of the combination digging device and head rest in a second configuration;

FIG. 9 is a front view of FIG. 8;

FIG. 10 is a back view of FIG. 8;

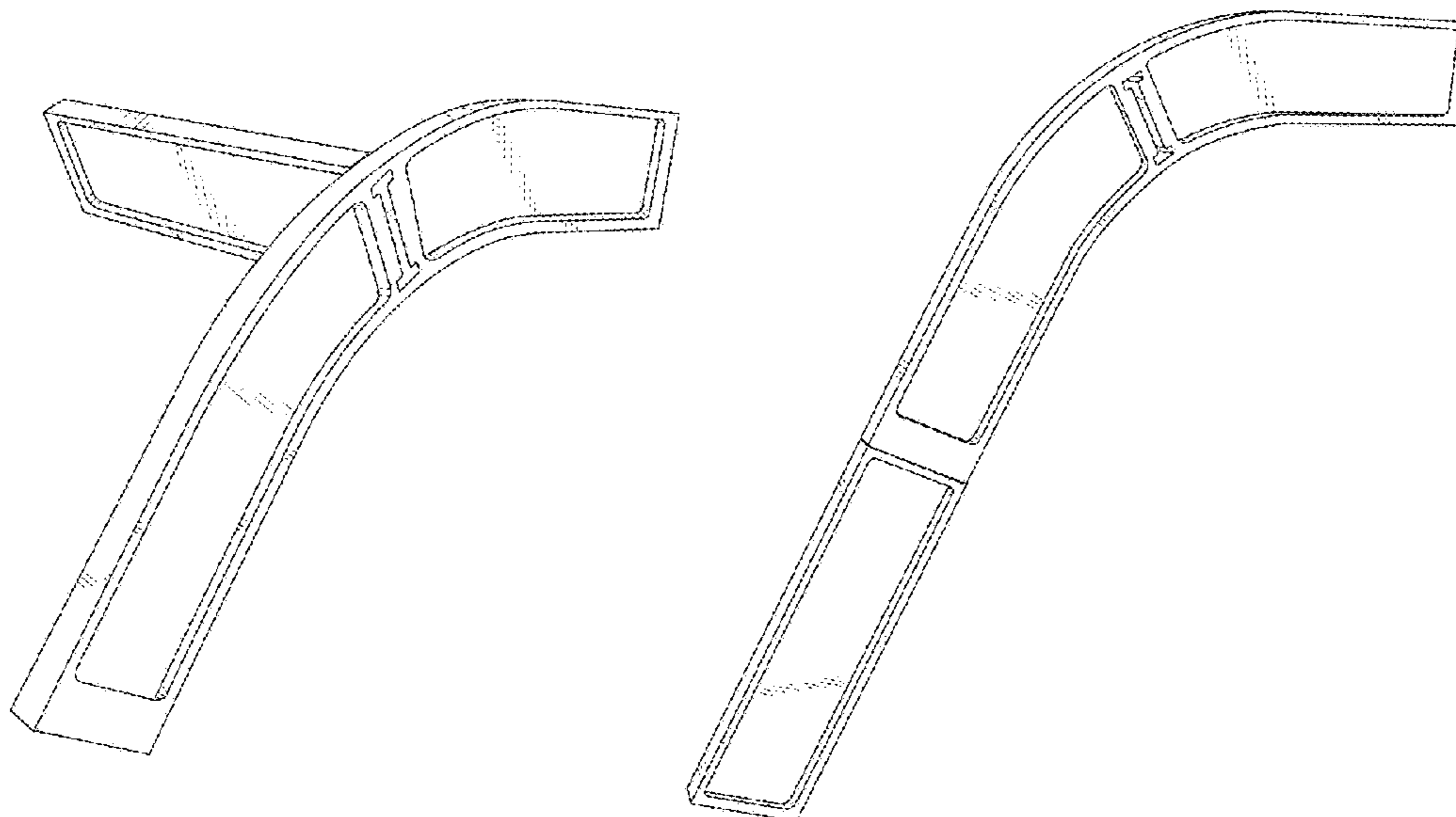
FIG. 11 is a side view of FIG. 8;

FIG. 12 is an opposite side view of FIG. 11;

FIG. 13 is a top view of FIG. 8; and,

FIG. 14 is a bottom view of FIG. 8.

1 Claim, 10 Drawing Sheets



(56)

References Cited

U.S. PATENT DOCUMENTS

4,498,704 A * 2/1985 Hildreth A47C 7/383
 297/397
 4,527,833 A * 7/1985 Parker A47C 7/383
 297/397
 4,544,203 A * 10/1985 Younger A47G 9/1009
 108/118
 D287,083 S * 12/1986 Macedonio D6/368
 4,865,372 A 9/1989 Gabriel
 D305,494 S * 1/1990 Jasperson D8/1
 4,914,765 A 4/1990 Smith
 D312,933 S * 12/1990 Lloyd D6/716.5
 5,165,137 A * 11/1992 Amrein A61G 13/121
 403/43
 5,551,110 A * 9/1996 Armstrong A47G 9/1009
 135/121
 5,791,708 A 8/1998 Capriotti
 6,044,914 A 4/2000 Johnson
 D434,638 S * 12/2000 McLauchlan D8/354
 6,594,839 B1 * 7/2003 Papay A61G 13/12
 297/405
 D518,691 S * 4/2006 Benson D8/11
 D536,225 S * 2/2007 Zinger D8/1
 D539,572 S * 4/2007 Nguyen D6/716.5
 7,658,422 B2 2/2010 Carr
 D614,423 S * 4/2010 Mohazzabi D6/716.5
 D615,387 S * 5/2010 Prichard D8/354

D617,175 S * 6/2010 Anderson D8/355
 8,769,744 B1 * 7/2014 Brown A61G 13/1215
 5/636
 D728,817 S * 5/2015 Markewitz D24/224
 D803,610 S * 11/2017 Jackow D6/716.5
 D810,528 S * 2/2018 Baker D8/11
 D856,056 S * 8/2019 Knecht D6/716.5
 D872,562 S * 1/2020 He D8/354
 D901,263 S * 11/2020 Citron D8/10
 10,905,266 B1 * 2/2021 Hsiao A47G 9/10
 D931,697 S * 9/2021 Weber D8/10
 D931,711 S * 9/2021 Sharma D8/354
 2002/0050009 A1 * 5/2002 Ley A47C 16/00
 5/657
 2004/0188110 A1 9/2004 Liao
 2005/0109346 A1 * 5/2005 Cohen A61G 13/12
 128/845
 2005/0160532 A1 * 7/2005 Froelich A61G 13/12
 5/637
 2009/0084564 A1 4/2009 Buck et al.
 2013/0232696 A1 * 9/2013 Halimi A47G 9/1054
 5/640
 2015/0208800 A1 * 7/2015 Yang A61F 5/00
 297/488
 2016/0242351 A1 8/2016 Richmond
 2016/0331126 A1 * 11/2016 Mills A47C 16/00
 2017/0071349 A1 * 3/2017 Wong A47C 7/383
 2019/0239668 A1 * 8/2019 Sabulao A47C 7/383
 2021/0015019 A1 * 1/2021 Hughes A47G 9/1045

* cited by examiner

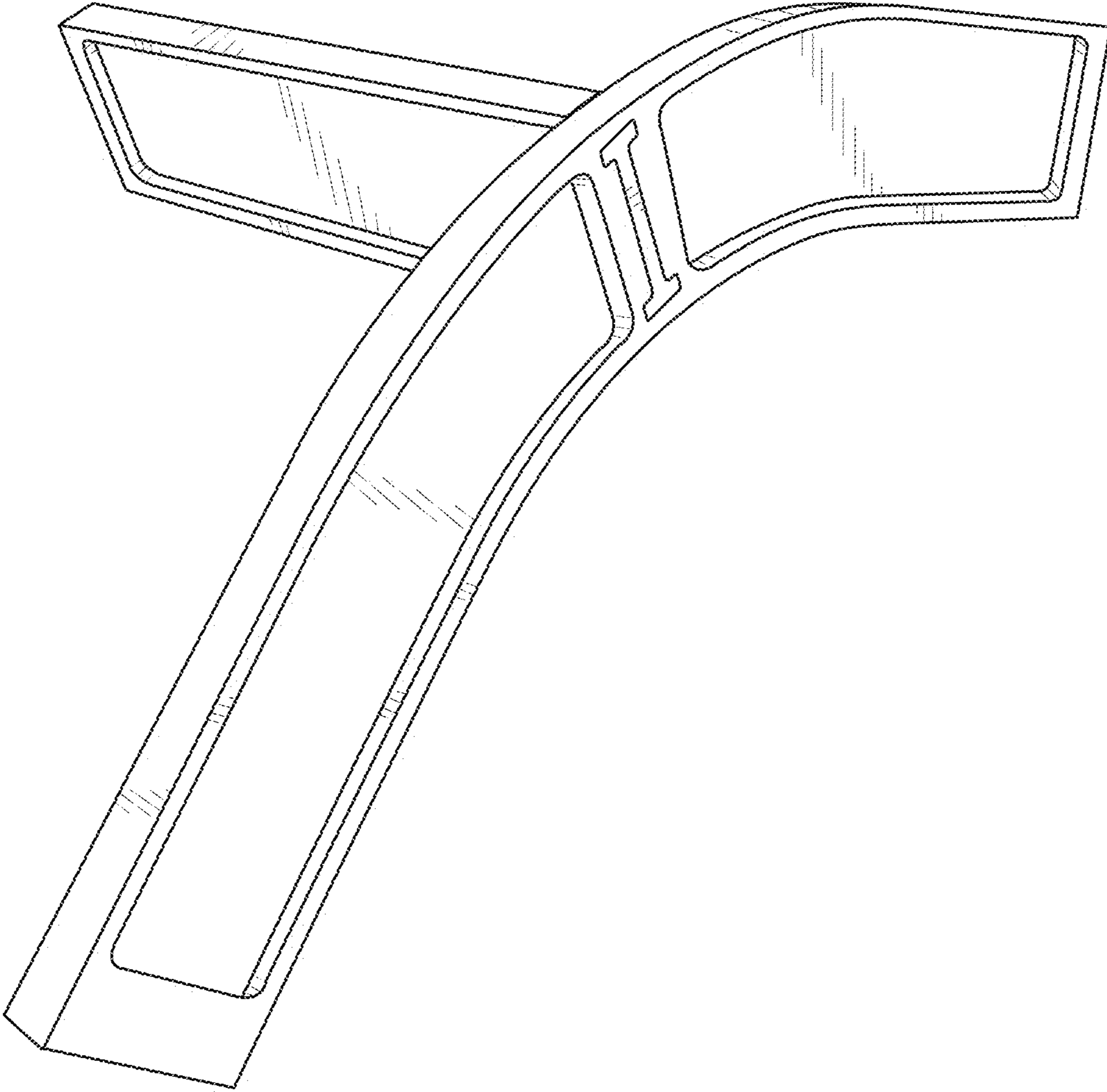


FIG. 1

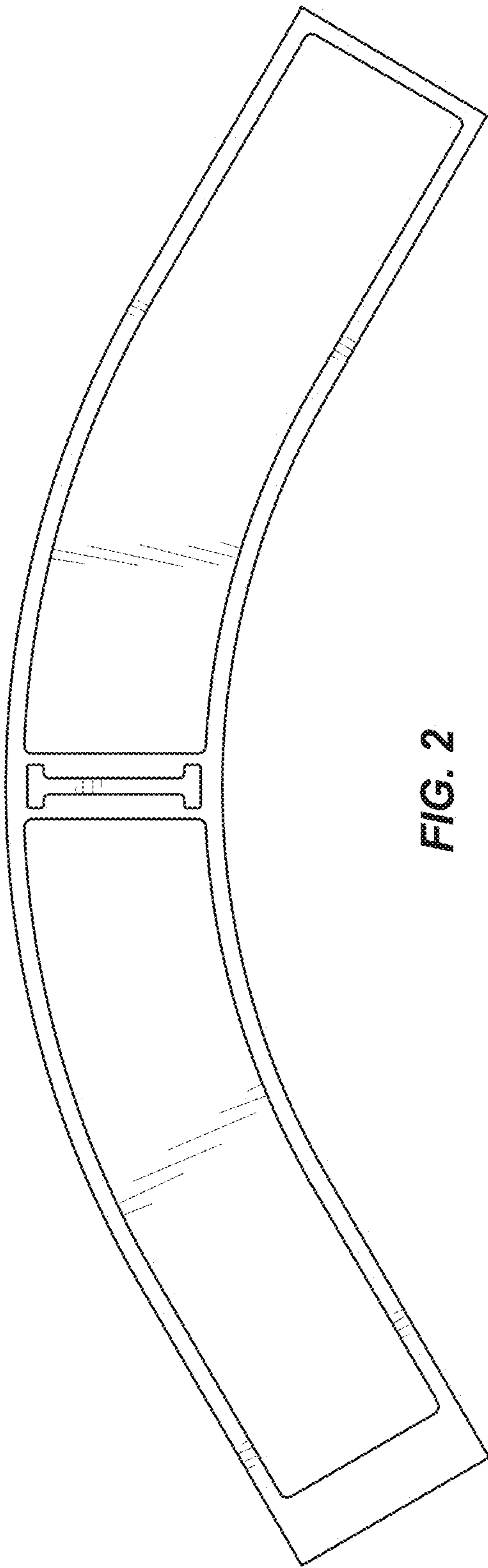


FIG. 2

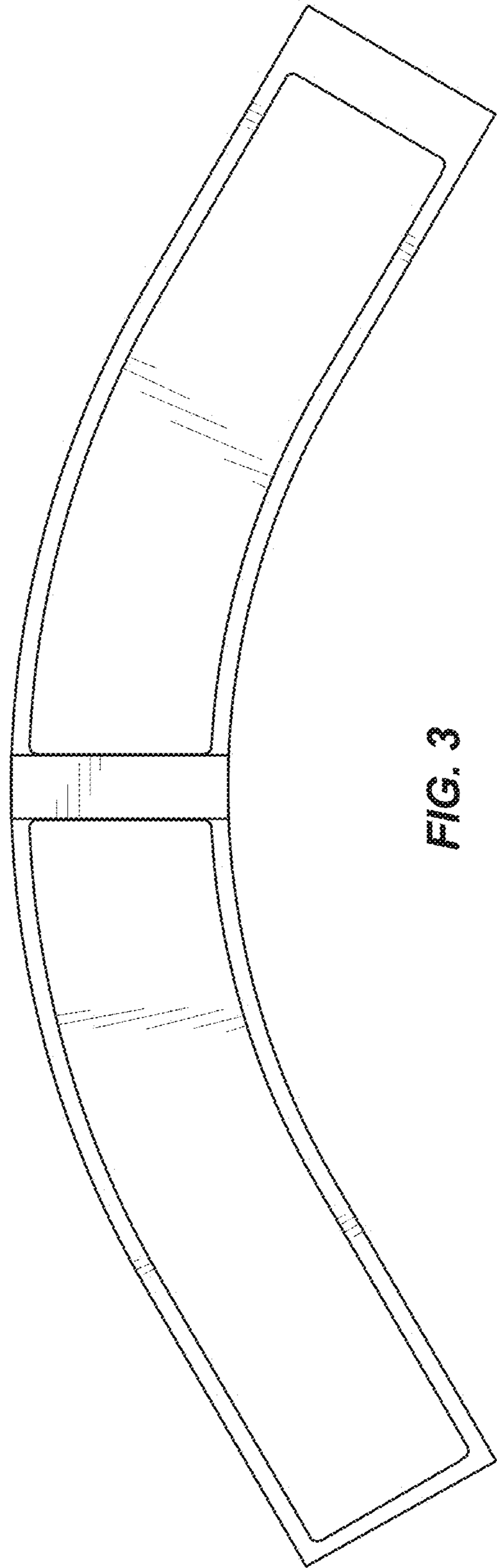


FIG. 3

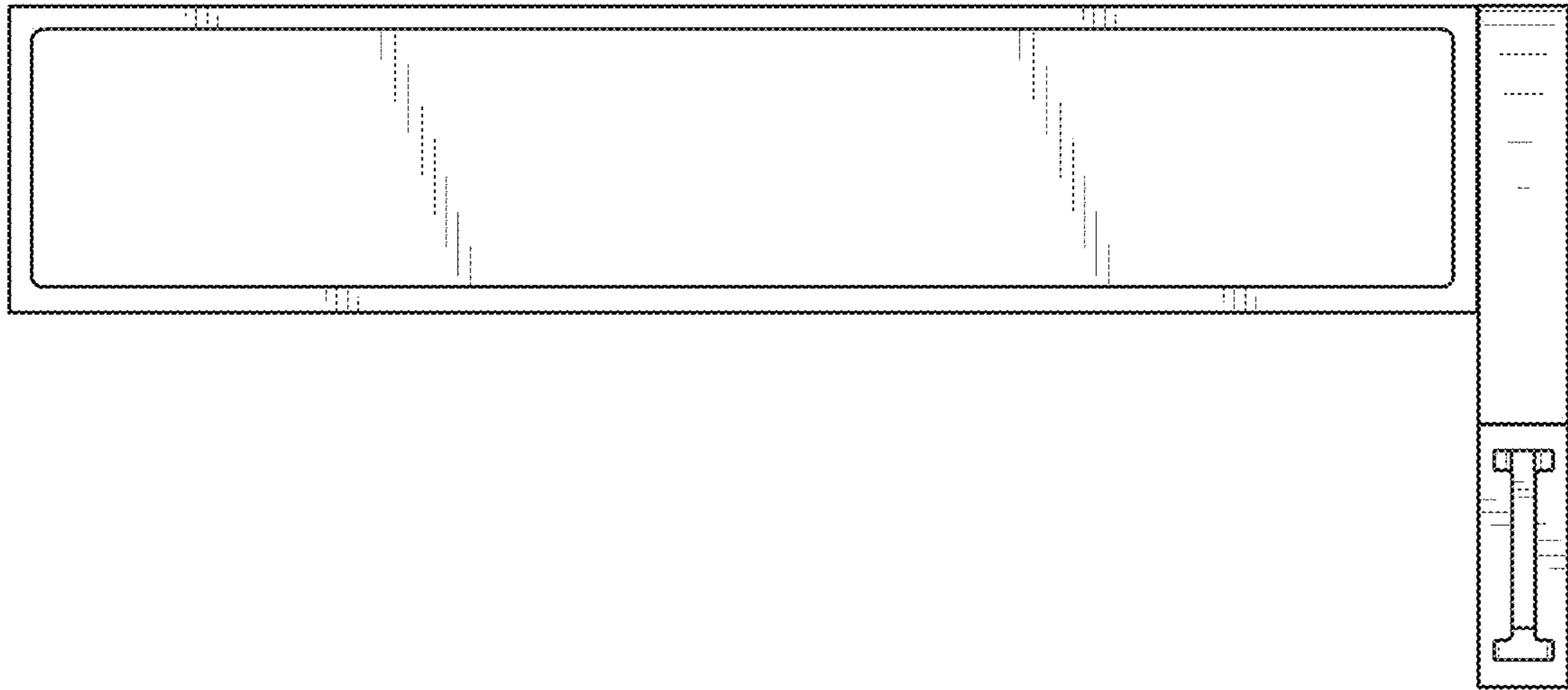


FIG. 4

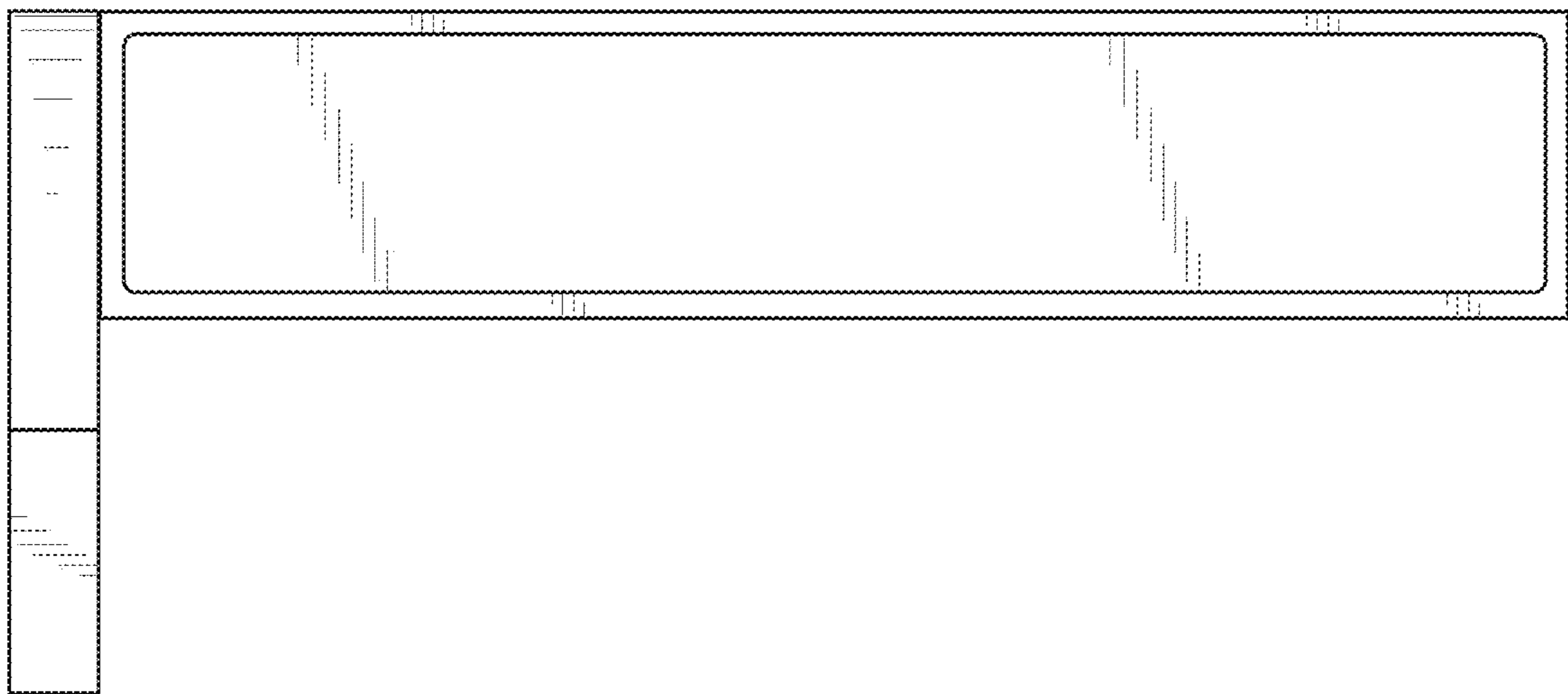


FIG. 5

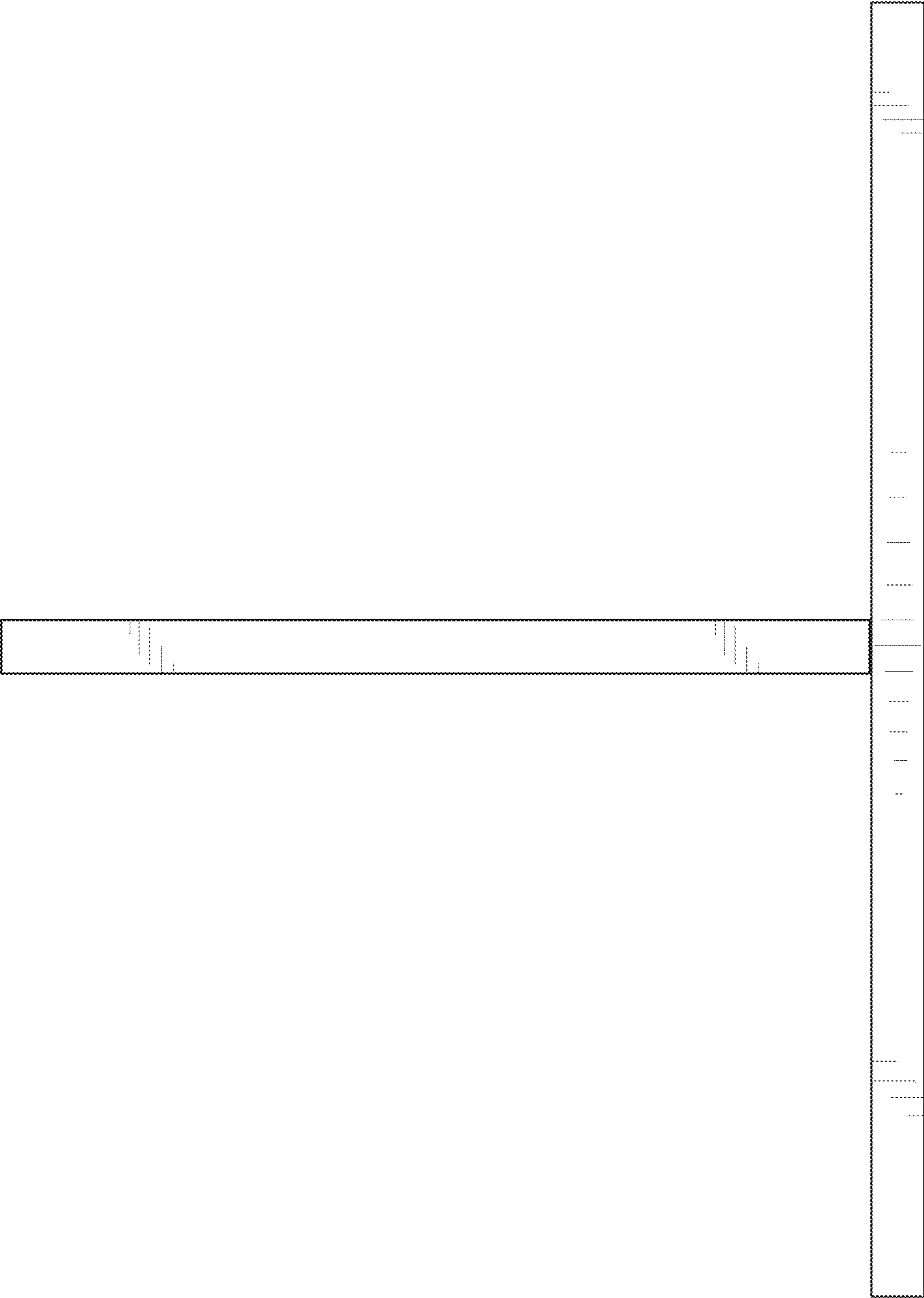


FIG. 6

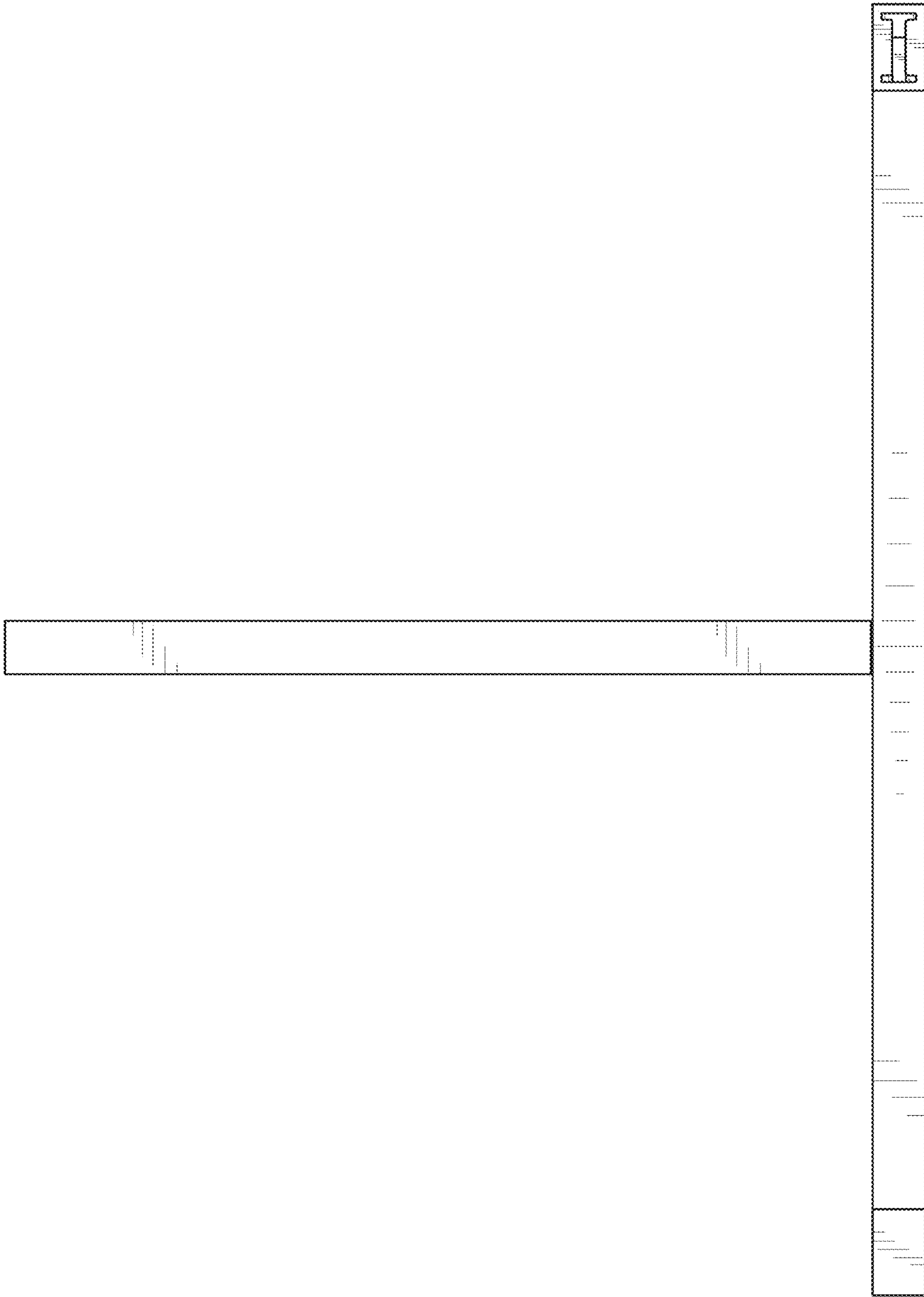


FIG. 7

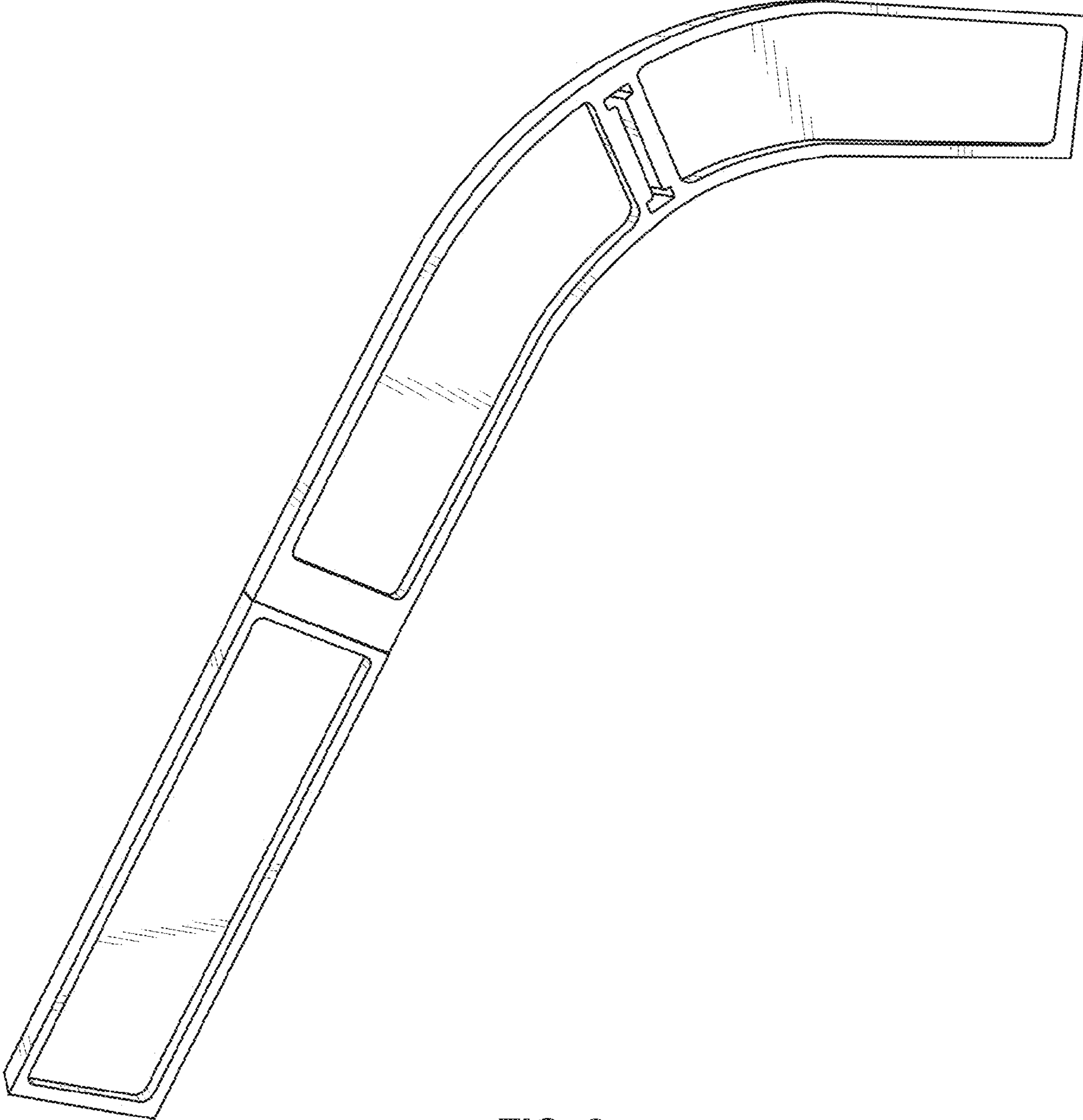


FIG. 8

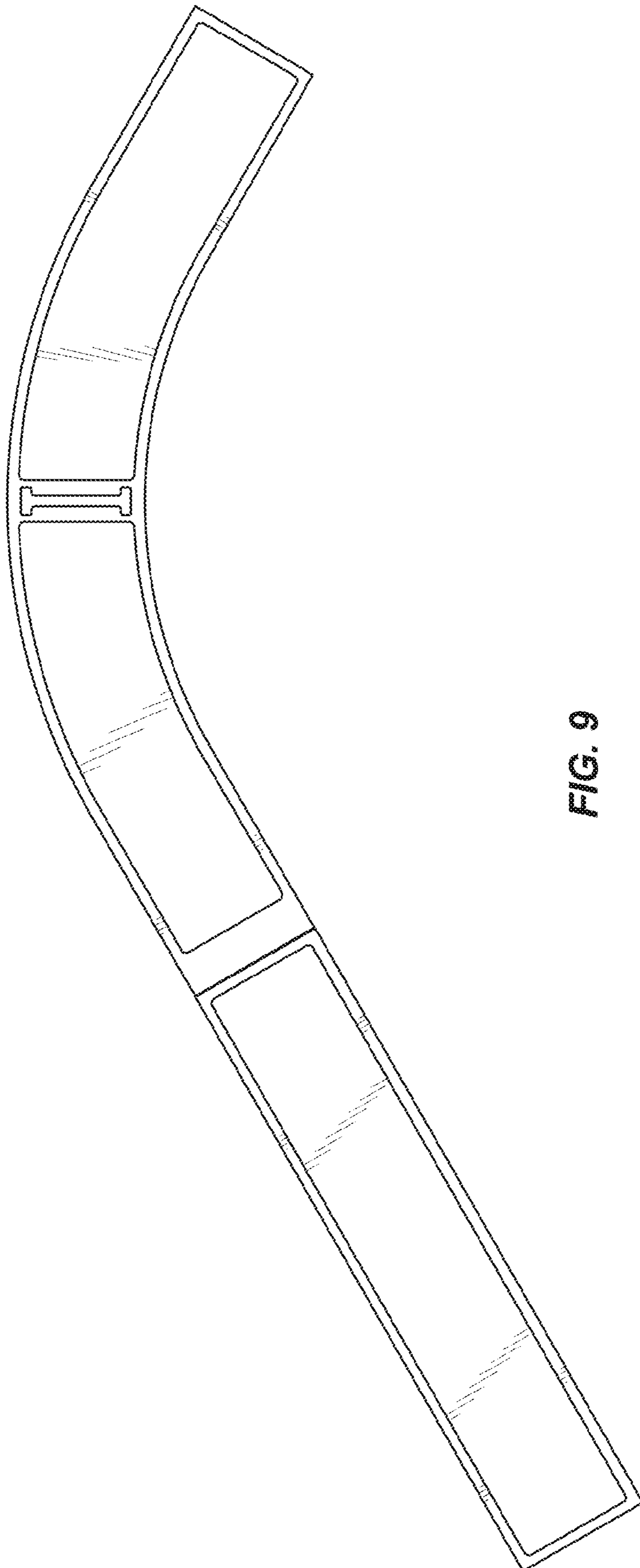


FIG. 9

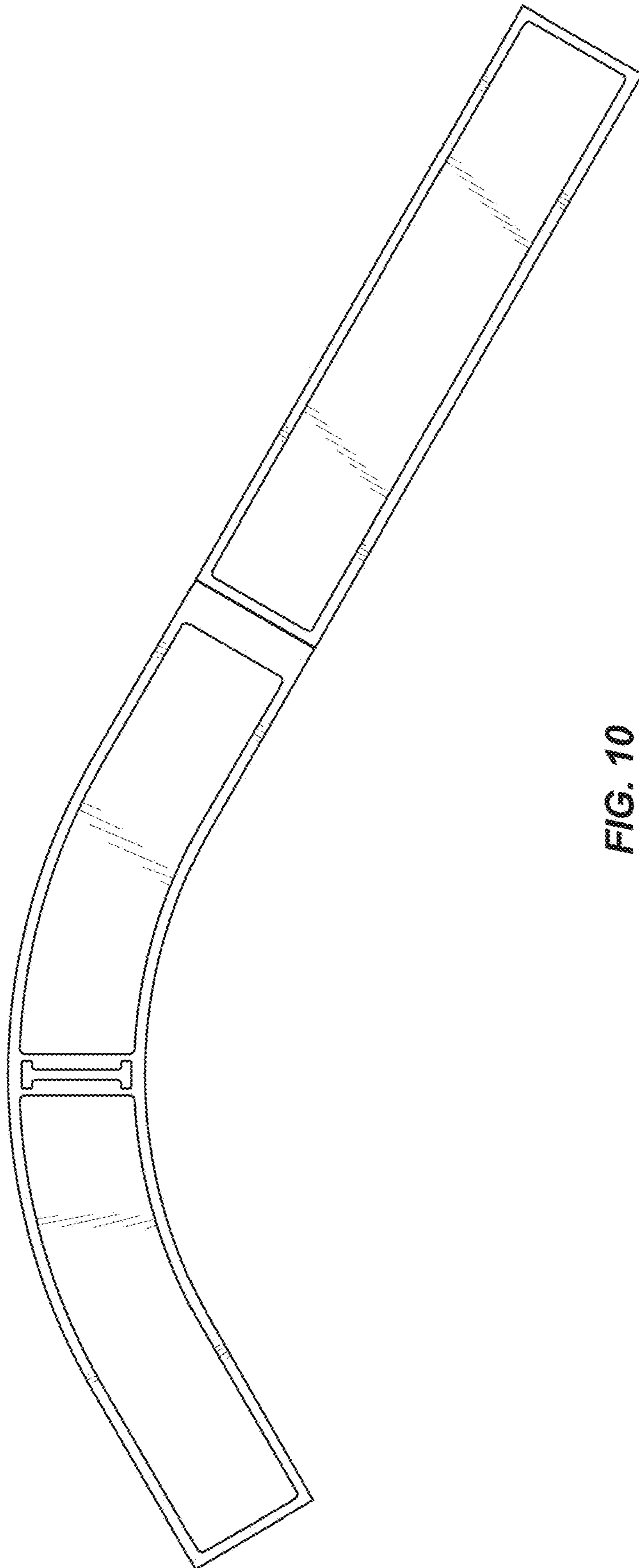


FIG. 10

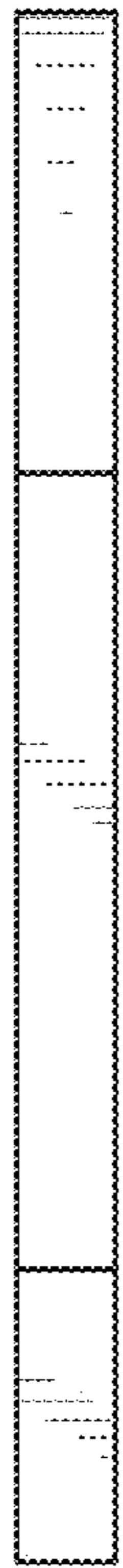


FIG. 11



FIG. 12



FIG. 13



FIG. 14