

US00D945196S

(12) **United States Design Patent** (10) **Patent No.:** **US D945,196 S**
Waller et al. (45) **Date of Patent:** **** Mar. 8, 2022**

- (54) **SEATING DEVICE**
- (71) Applicant: **Gary Platt Manufacturing, LLC**,
Reno, NV (US)
- (72) Inventors: **Daniel J. Waller**, Reno, NV (US);
Edmond Abadie, Reno, NV (US);
Wendell R. Davis, Jr., Reno, NV (US)
- (73) Assignee: **Gary Platt Manufacturing, LLC**,
Reno, NV (US)
- (**) Term: **15 Years**
- (21) Appl. No.: **29/772,370**
- (22) Filed: **Mar. 1, 2021**

- 4,109,959 A 8/1978 Barecki et al.
- 6,938,959 B1 9/2005 Borunda et al.
- D638,634 S 5/2011 Figueras Mitjans
- D812,921 S 3/2018 Vorwerk
- D832,015 S 10/2018 Deemer et al.
- D911,724 S * 3/2021 Waller D6/356
- D924,583 S * 7/2021 Kang D6/356

OTHER PUBLICATIONS

United States Patent and Trademark Office, "Non-Final Office action," issued in connection with U.S. Appl. No. 26/666,001, dated Jul. 10, 2020, 23 pages.
 United States Patent and Trademark Office, "Notice of Allowance," issued in connection with U.S. Appl. No. 26/666,001, dated Nov. 3, 2020, 6 pages.

* cited by examiner

Primary Examiner — Mimoso De

(74) *Attorney, Agent, or Firm* — Hanley, Flight and Zimmerman, LLC

Related U.S. Application Data

(63) Continuation of application No. 29/666,001, filed on Oct. 9, 2018, now Pat. No. Des. 911,724.

(51) **LOC (13) Cl.** **06-01**

(52) **U.S. Cl.**
USPC **D6/716; D6/356**

(58) **Field of Classification Search**
 USPC D6/334–336, 356, 364, 374, 375, 708.16,
 D6/716, 716.1, 716.2, 716.4; D12/16
 CPC .. B60N 2/00; B60N 2/005; B60N 2002/0055;
 B60N 2/01; B60N 2/012; B60N 2/015;
 B60N 2/24; B60N 2/242; B60N 2/245;
 B60N 2/64; B60N 2/646
 See application file for complete search history.

(56) **References Cited**

U.S. PATENT DOCUMENTS

- 2,104,818 A 1/1938 Schjolin
- 2,512,171 A 6/1950 Oom
- 2,630,158 A 3/1953 Davis
- D239,234 S 3/1976 Gamble et al.

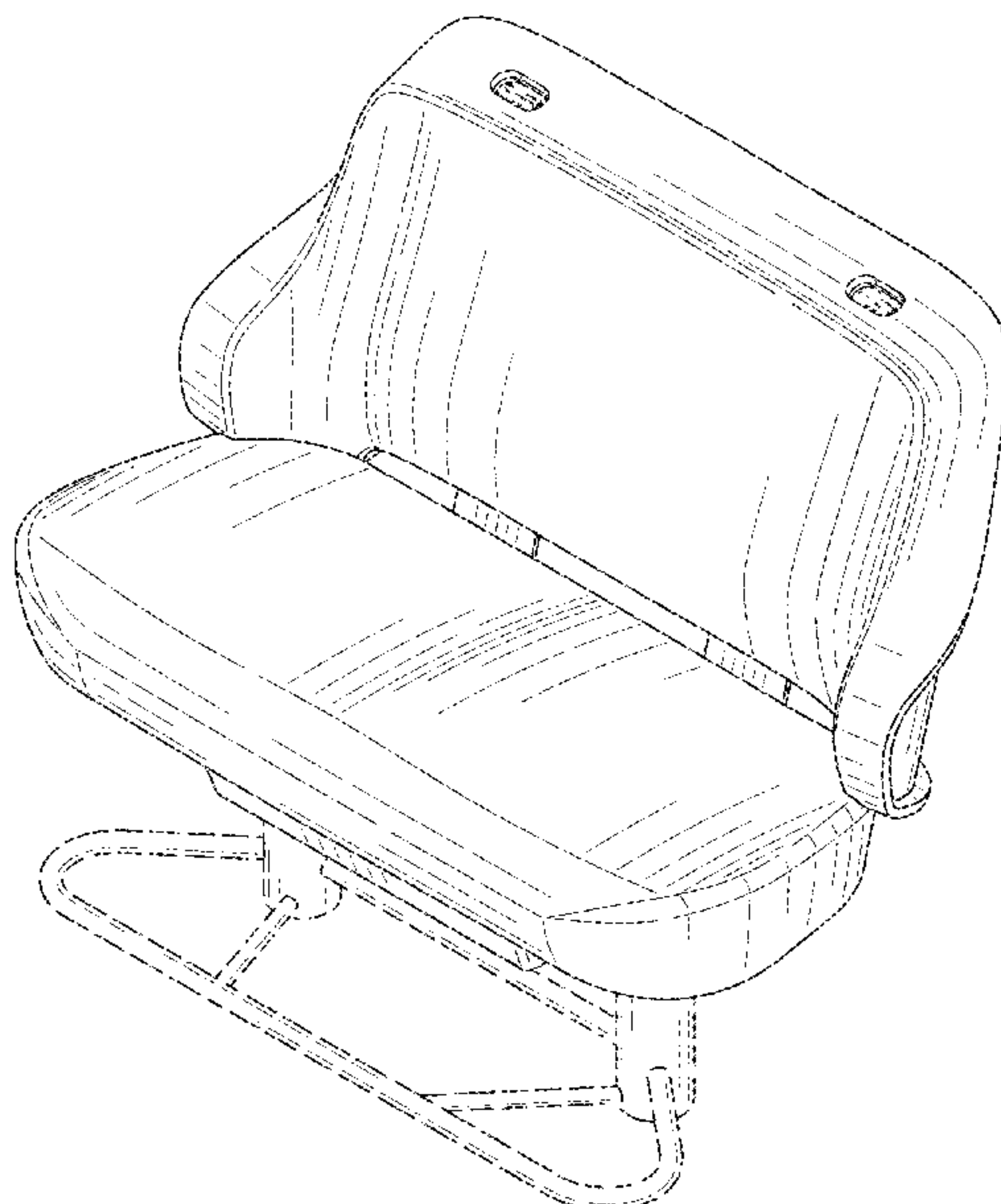
(57) **CLAIM**

The ornamental design for a seating device, substantially as shown and described.

DESCRIPTION

FIG. 1 is a front perspective view of an ornamental design for a seating device;
 FIG. 2 is a front view thereof;
 FIG. 3 is a rear view thereof;
 FIG. 4 is a left elevation view thereof;
 FIG. 5 is a right elevation view thereof;
 FIG. 6 is a top view thereof;
 FIG. 7 is a bottom view thereof; and,
 FIG. 8 is a rear perspective view thereof.
 In the drawings, the broken lines depict portions of the seating device that form no part of the claimed design.

1 Claim, 8 Drawing Sheets



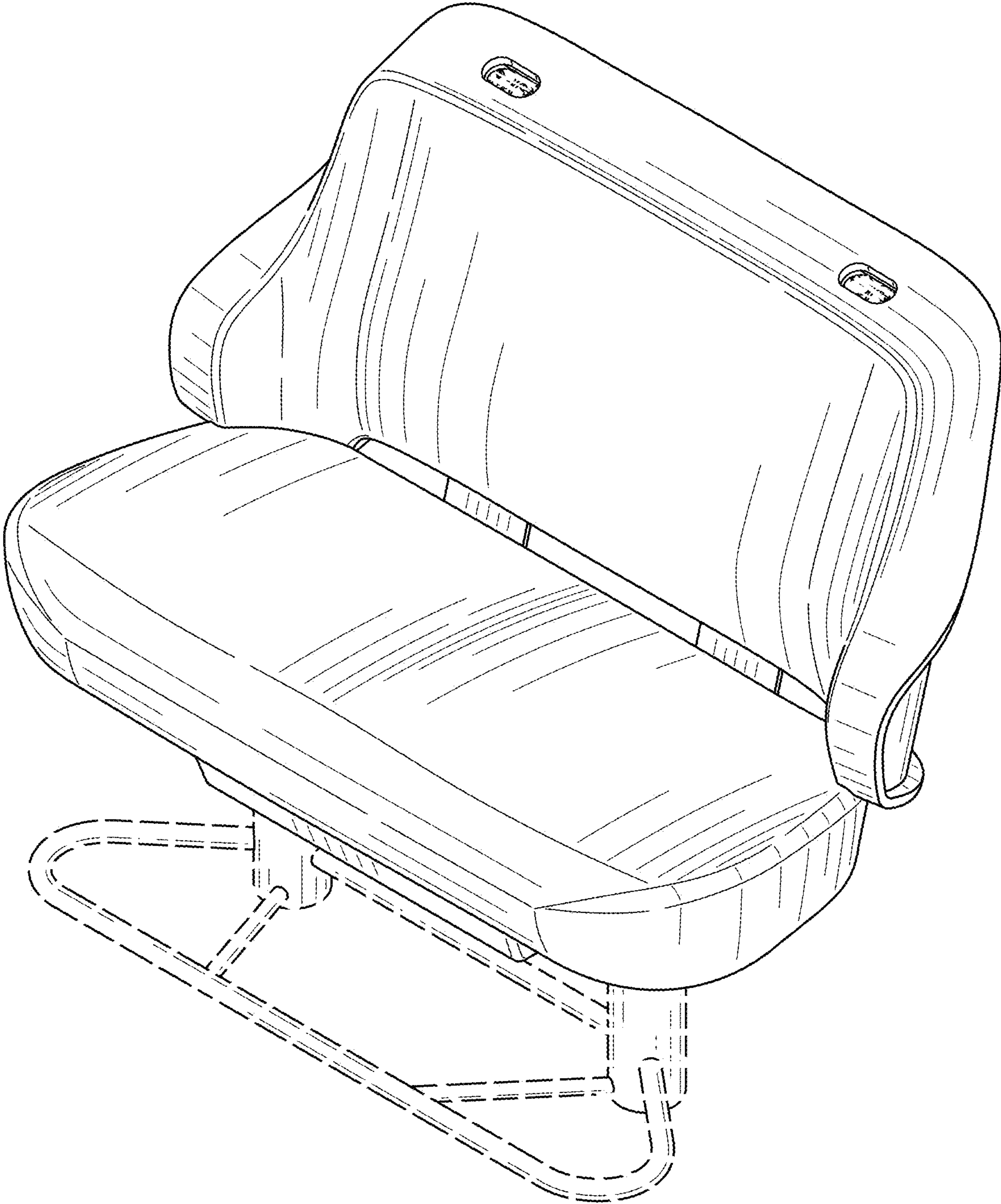


FIG. 1

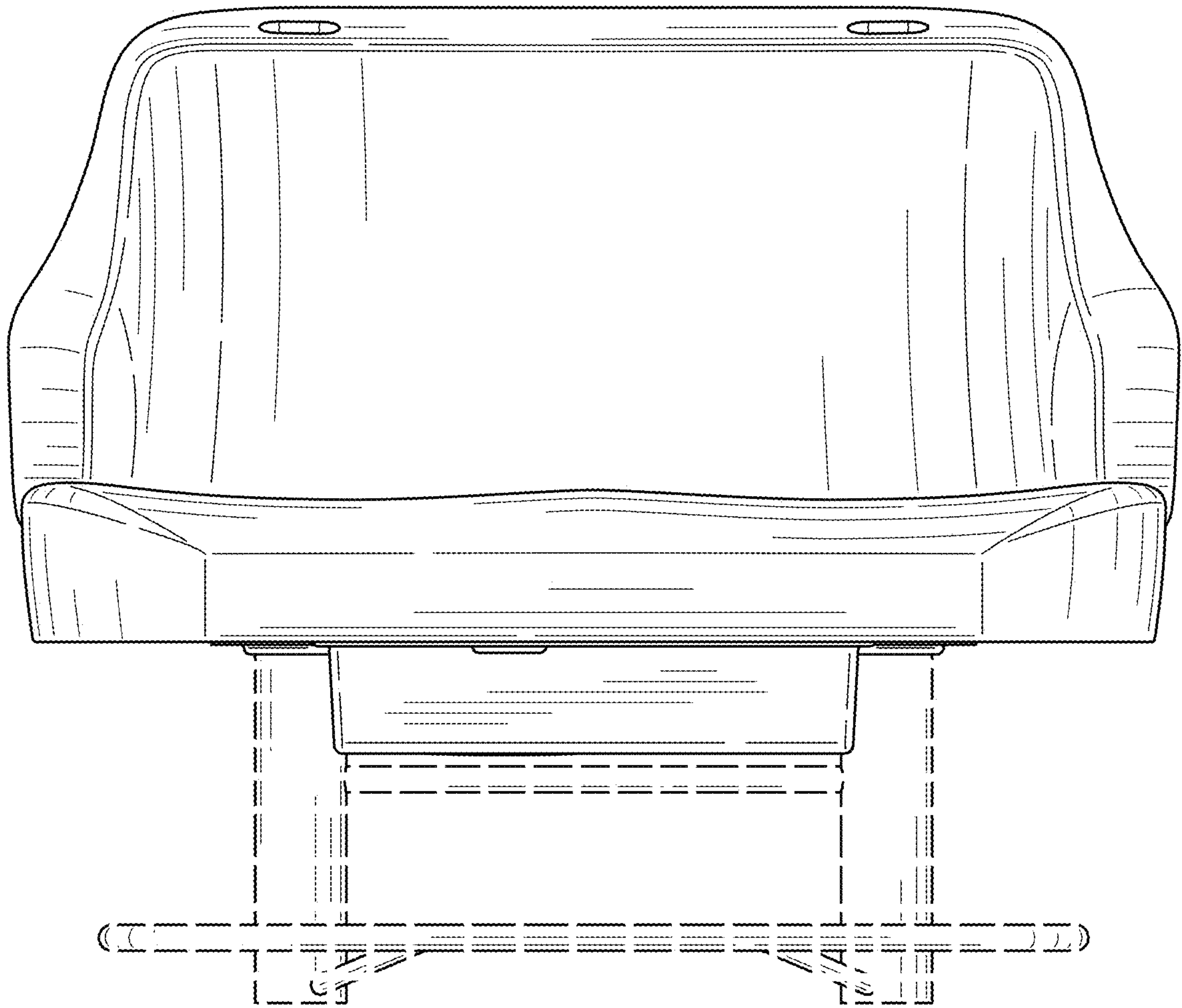


FIG. 2

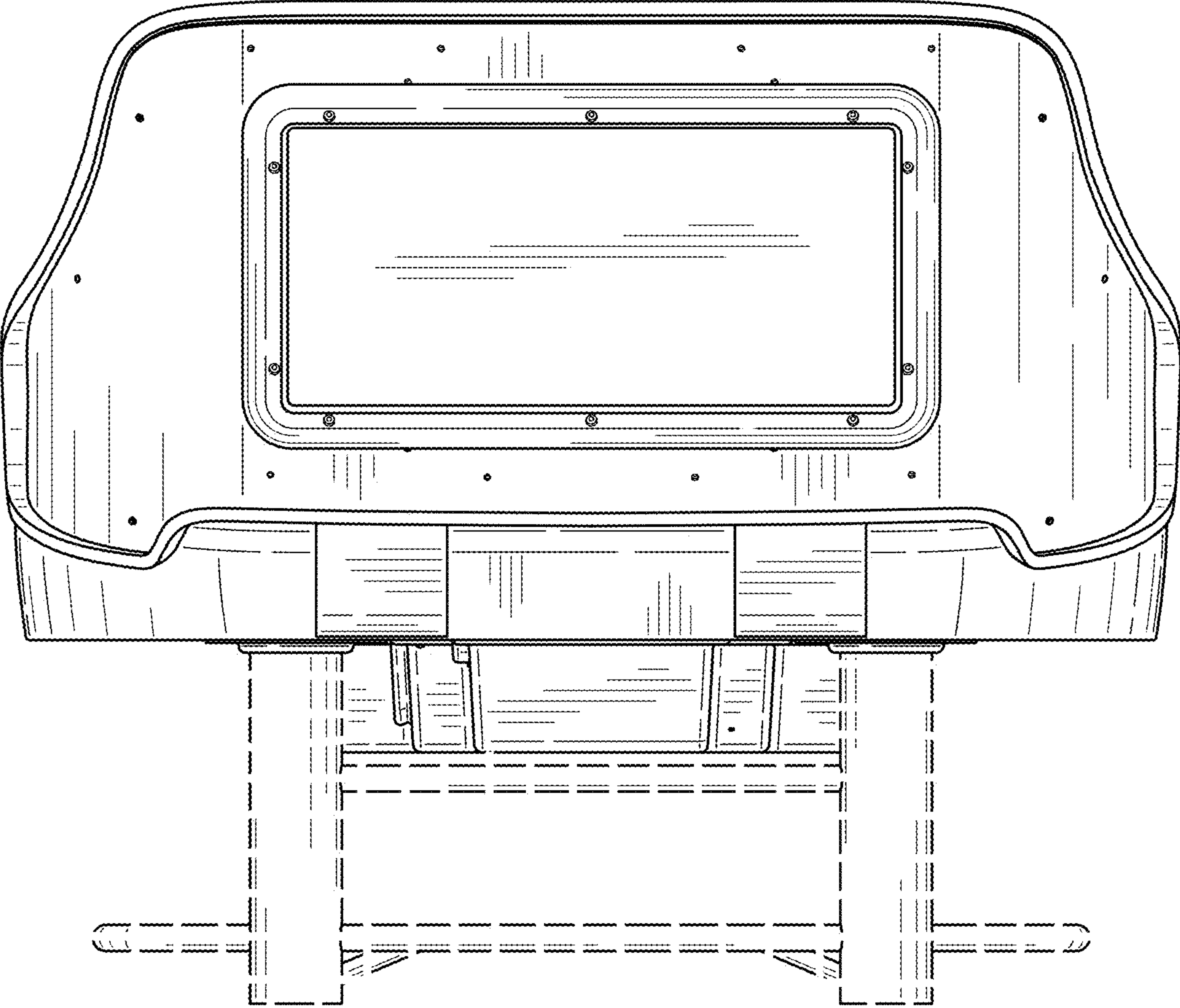


FIG. 3

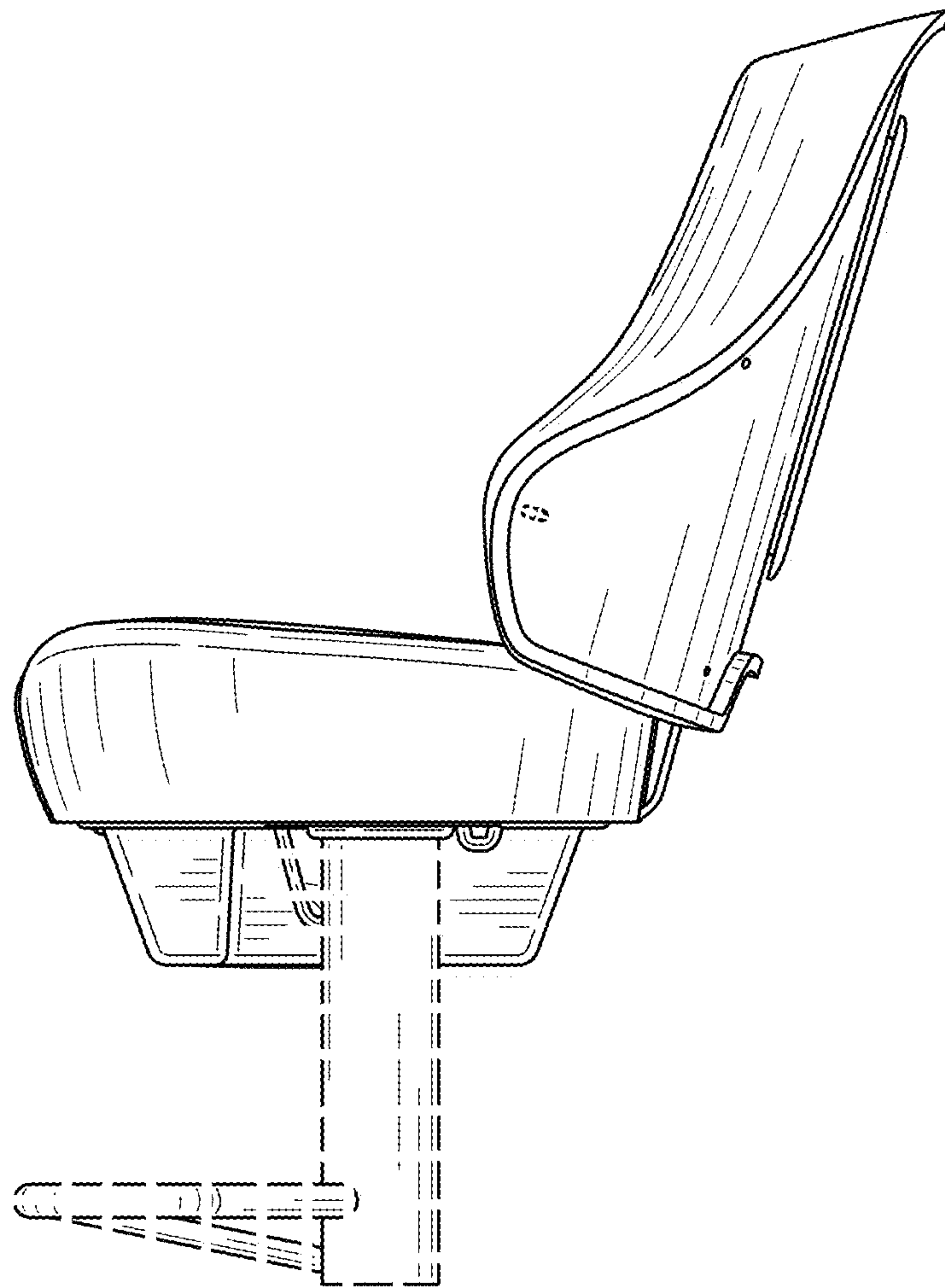


FIG. 4

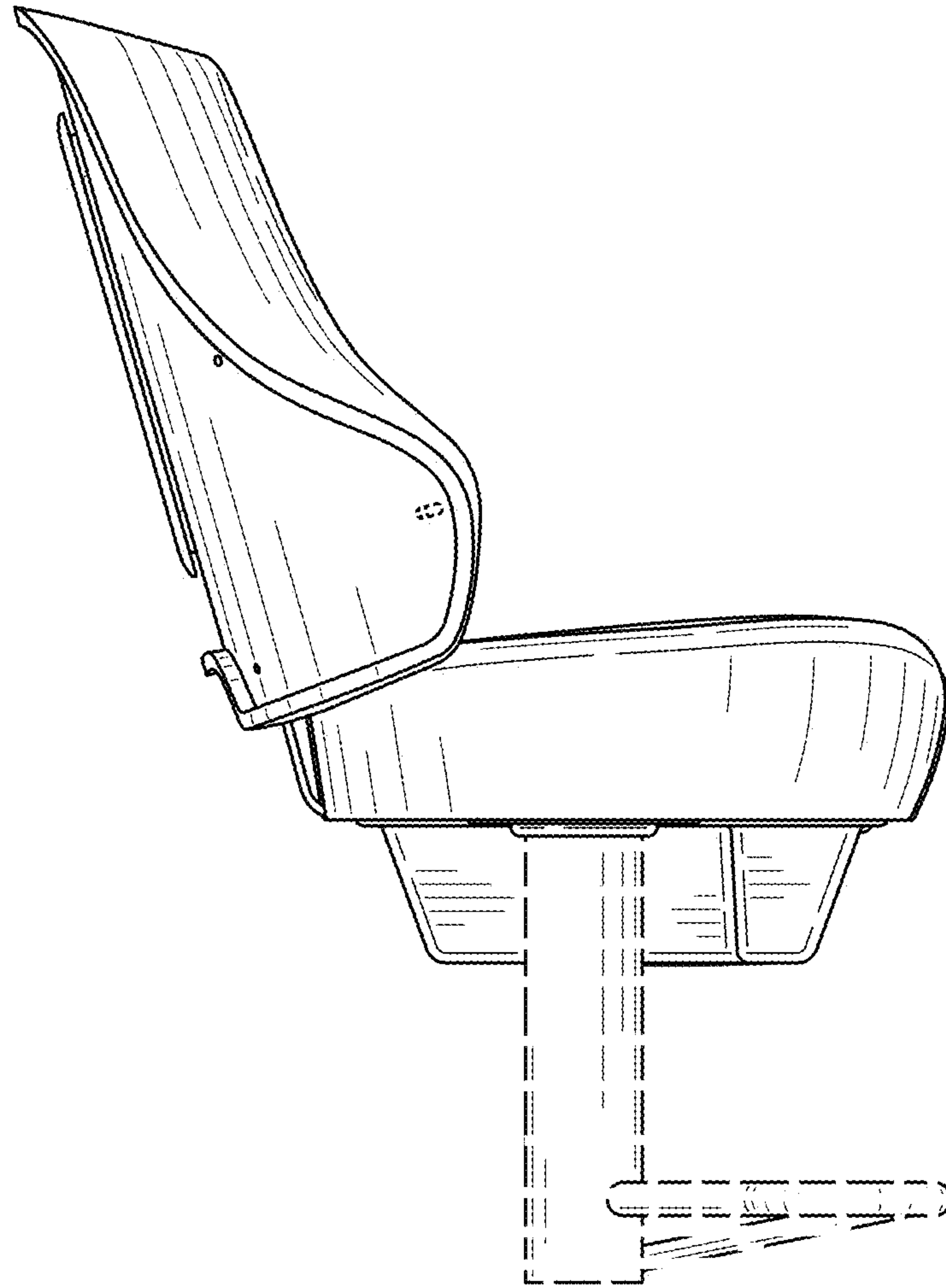


FIG. 5

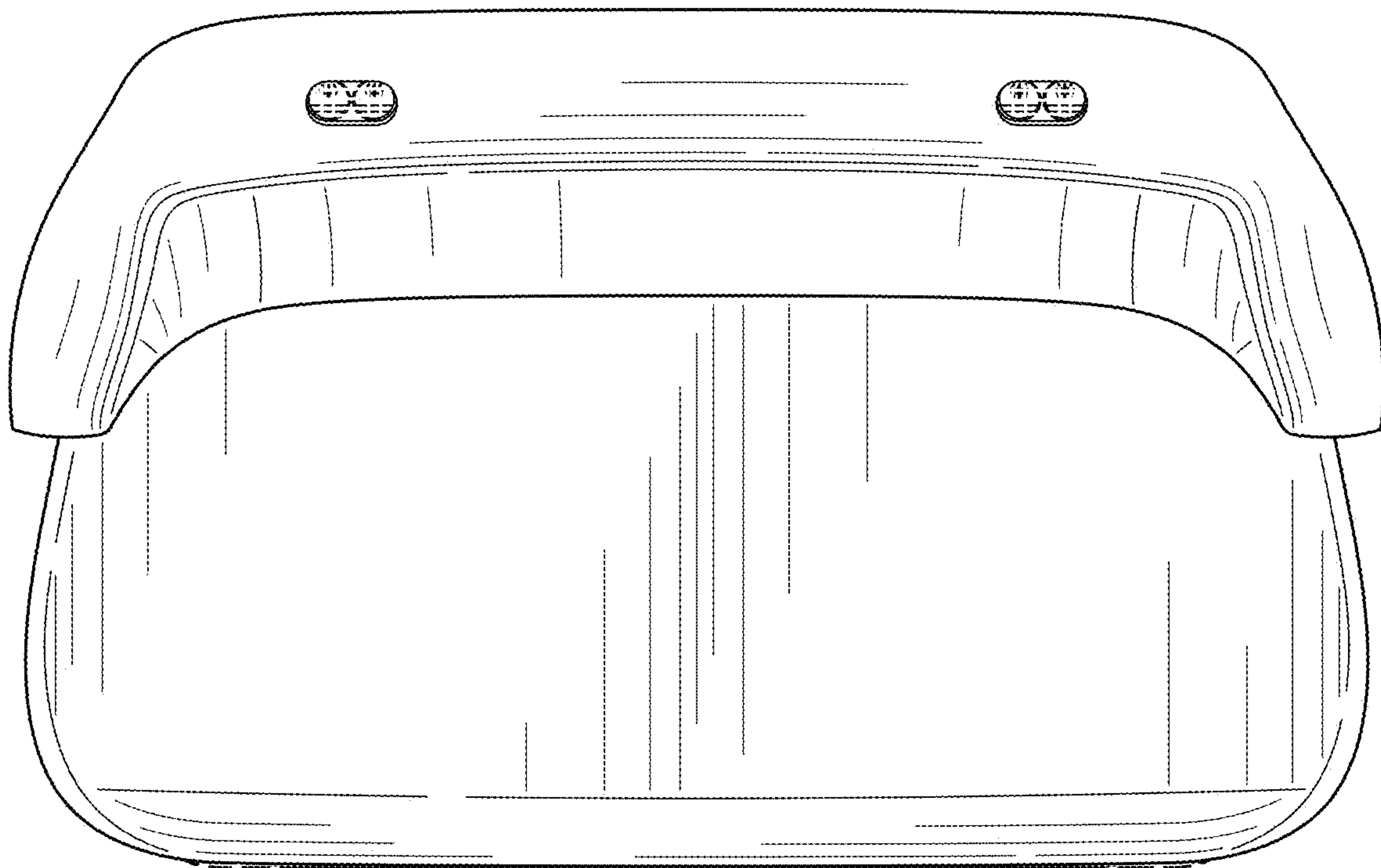


FIG. 6

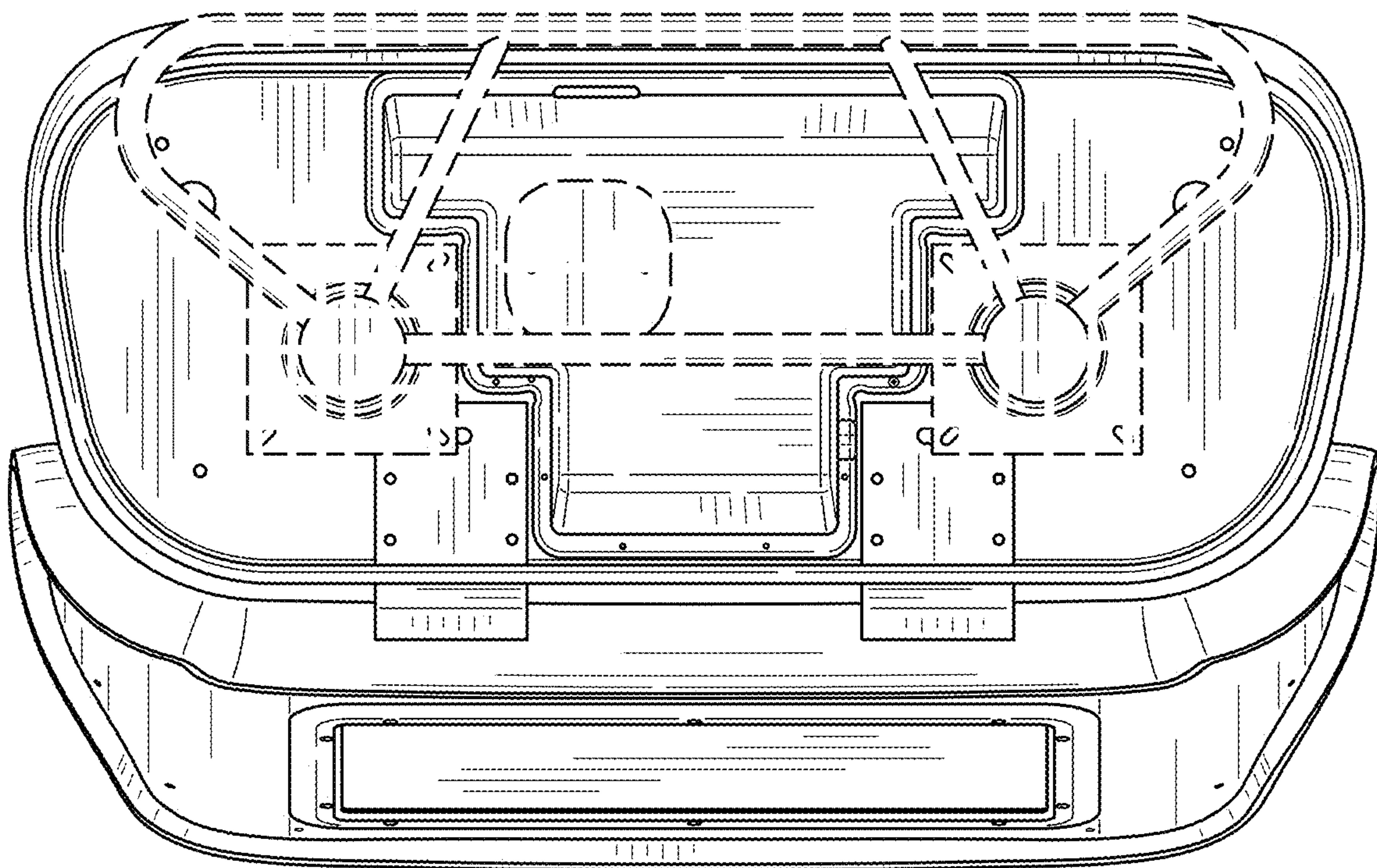


FIG. 7

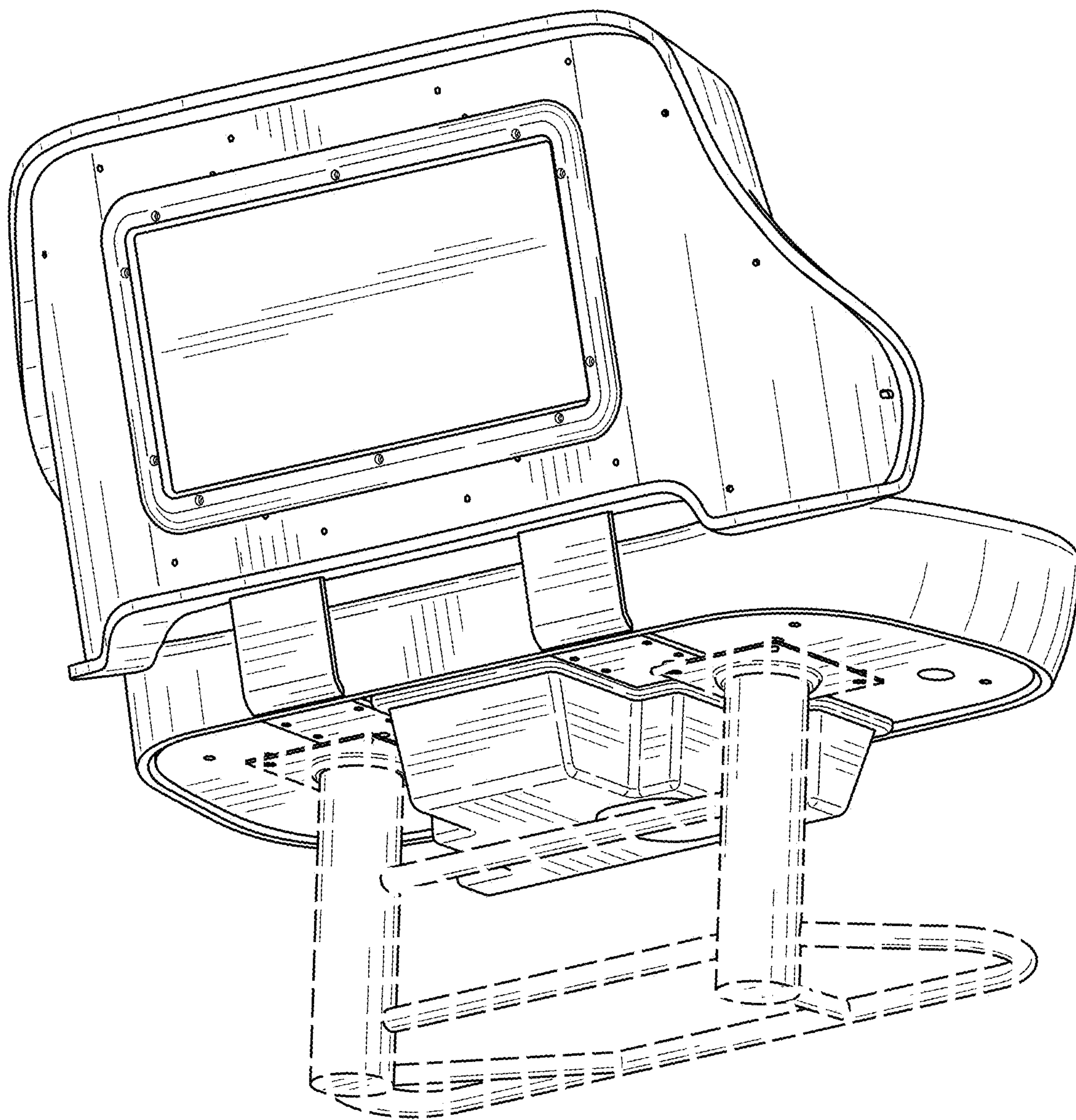


FIG. 8