



US00D945191S

(12) **United States Design Patent**
Teng

(10) **Patent No.:** **US D945,191 S**
(45) **Date of Patent:** **** Mar. 8, 2022**

- (54) **NIGHTSTAND ORGANIZER**
- (71) Applicant: **Siek Meng Teng**, Burnaby (CA)
- (72) Inventor: **Siek Meng Teng**, Burnaby (CA)
- (73) Assignee: **Siek Meng Teng**
- (**) Term: **15 Years**
- (21) Appl. No.: **29/756,038**
- (22) Filed: **Oct. 25, 2020**
- (51) **LOC (13) Cl.** **06-06**
- (52) **U.S. Cl.**
USPC **D6/682**; D14/252
- (58) **Field of Classification Search**
USPC D6/672, 678, 678.3, 682; D13/107-108,
D13/184, 199; D14/251, 252, 253, 432,
D14/434, 447, 451
CPC H02J 7/0044; H02J 7/0045; H02J 7/0027;
H02J 7/0003; H02J 50/00; H02J 50/10;
H02J 50/80
See application file for complete search history.

D822,031	S	*	7/2018	Ching	D14/451
D840,997	S	*	2/2019	Chen	D14/253
D855,566	S	*	8/2019	Chen	D13/108
D892,046	S	*	8/2020	Peng	D13/108
D900,736	S	*	11/2020	Oyler	D13/108
D926,683	S	*	8/2021	Liao	D13/108
D931,208	S	*	9/2021	Liao	D13/108
D933,005	S	*	10/2021	Yarbough	D13/108
D934,794	S	*	11/2021	Brisebras	D13/108
2015/0189781	A1	*	7/2015	Klepar	F16M 11/00 206/45.2
2017/0150812	A1	*	6/2017	Tomomatsu	G07G 1/0018
2017/0153667	A1	*	6/2017	Suckle	G06F 1/1632
2018/0358826	A1	*	12/2018	Allen	H02J 50/12
2020/0393079	A1	*	12/2020	Townsend	A47F 9/046

* cited by examiner

Primary Examiner — Kelley A Donnelly

(57) **CLAIM**

The ornamental design for a nightstand organizer, as shown.

DESCRIPTION

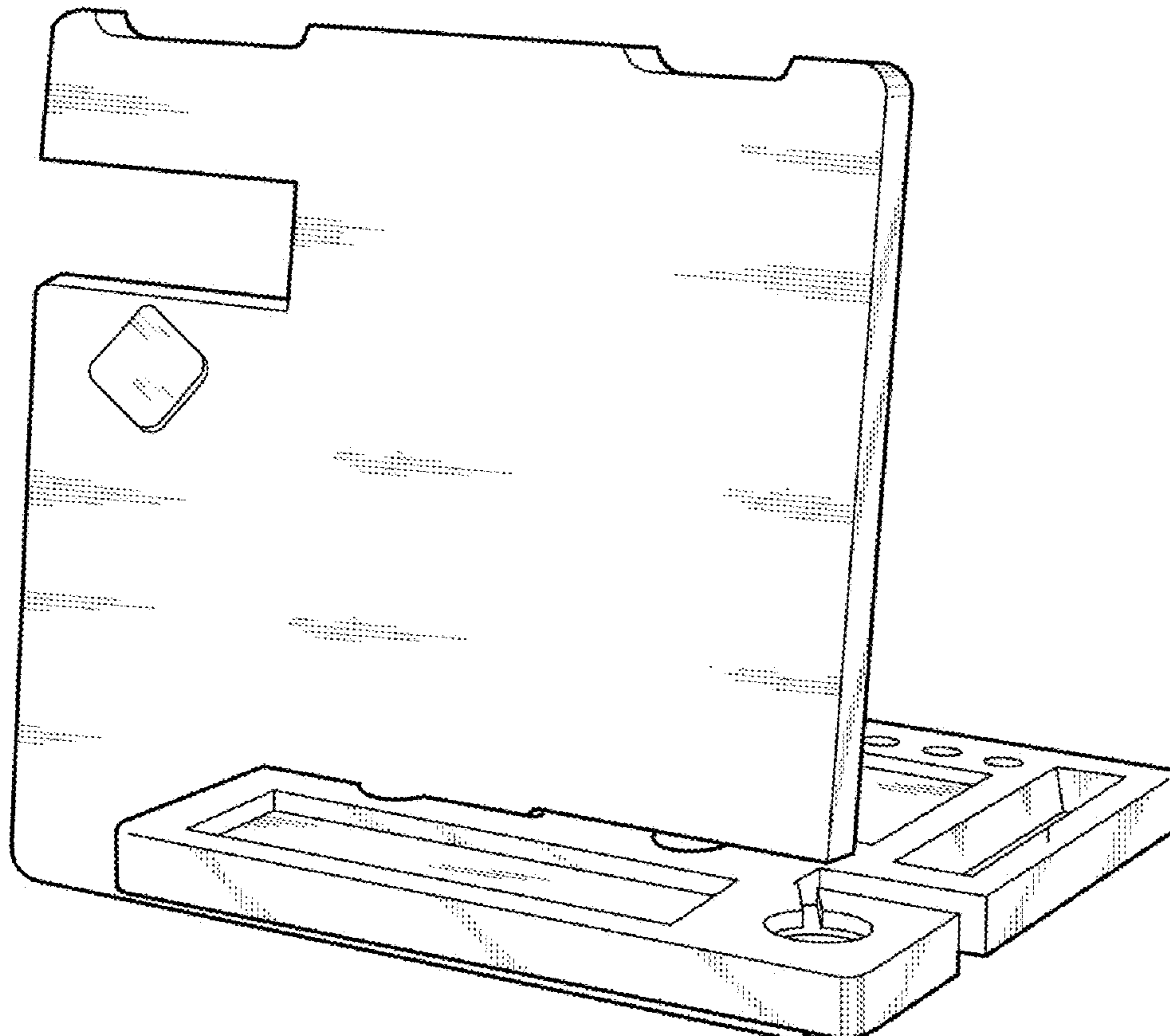
FIG. 1 is a perspective view of a nightstand organizer showing my new design;
 FIG. 2 is a right side elevational view thereof;
 FIG. 3 is a left view elevational view thereof;
 FIG. 4 is a top plan view thereof;
 FIG. 5 is a bottom plan view thereof; and
 FIG. 6 is a front elevational view thereof; and,
 FIG. 7 is a rear elevational view thereof.

1 Claim, 7 Drawing Sheets

(56) **References Cited**

U.S. PATENT DOCUMENTS

D712,369	S	*	9/2014	Yoshida	D14/142
D771,616	S	*	11/2016	Bo	D14/253



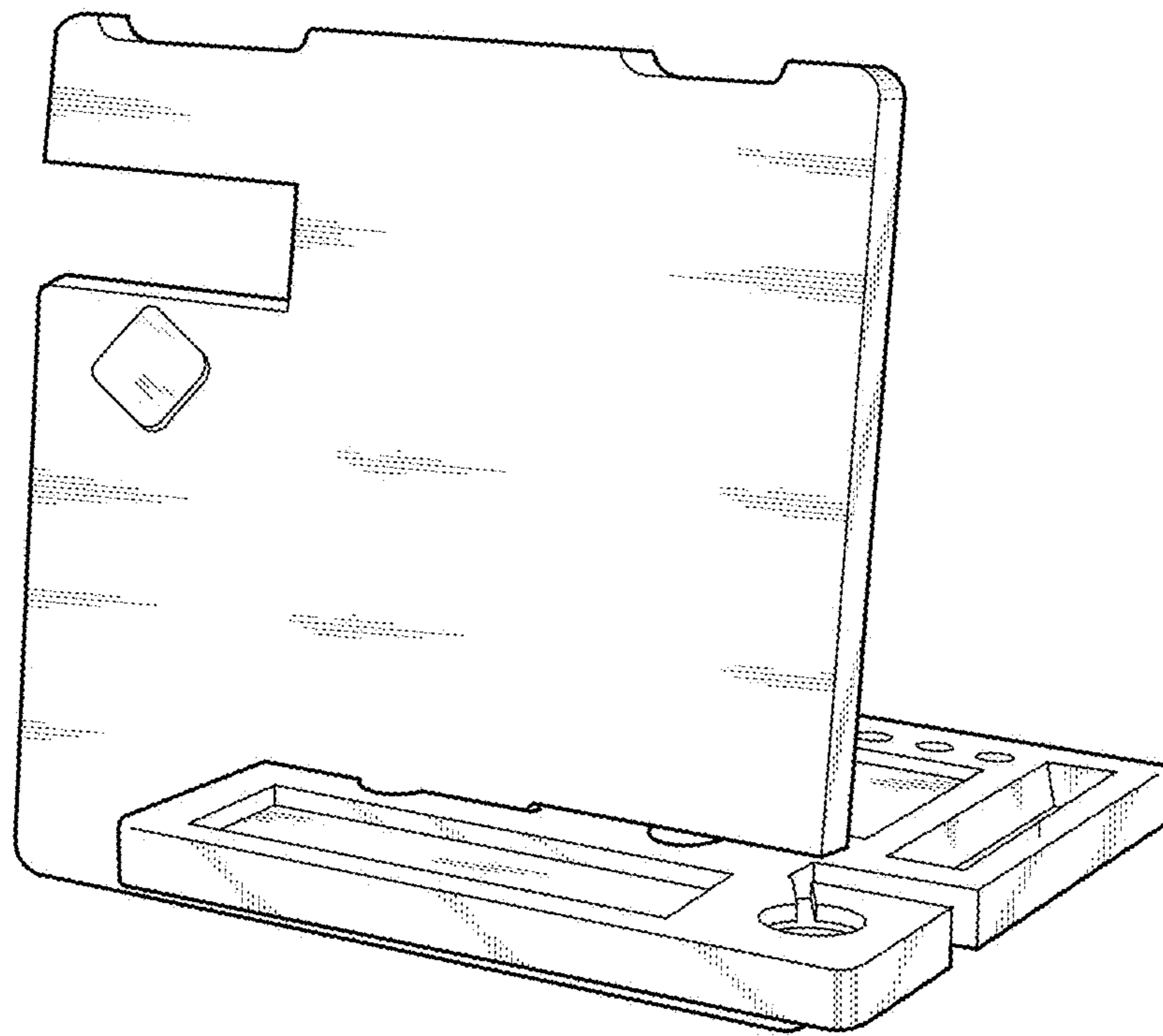


FIG. 1

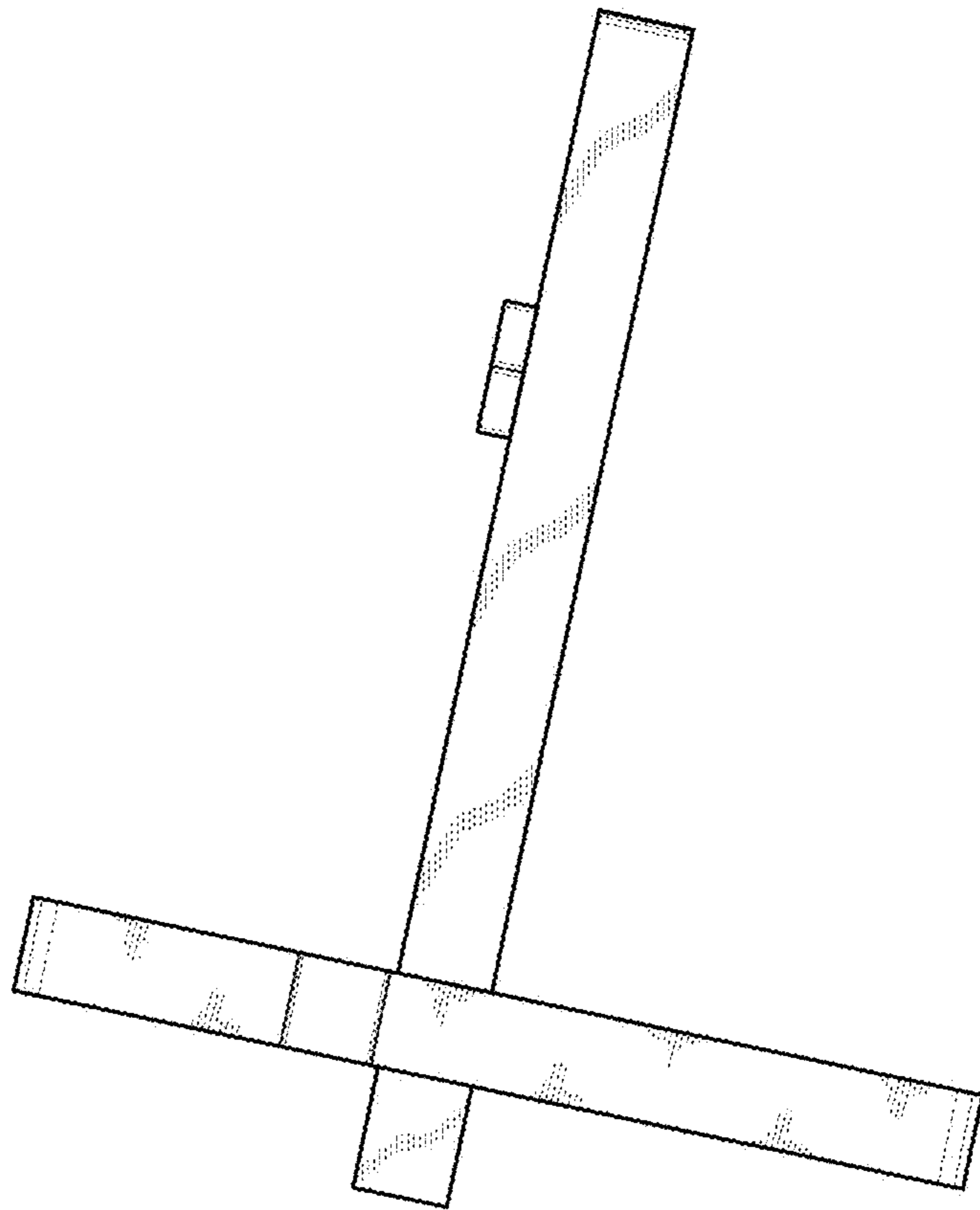


FIG. 2

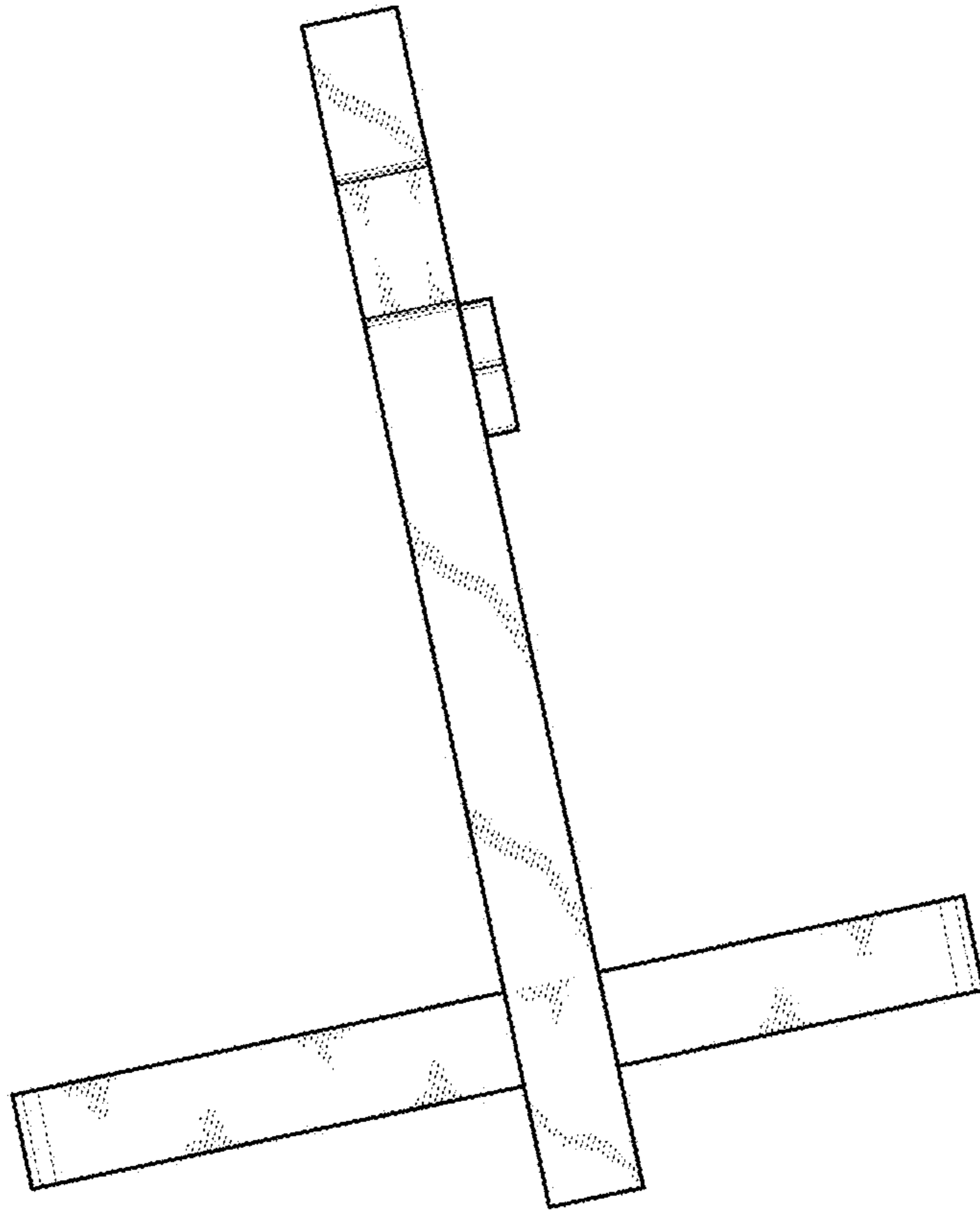


FIG. 3

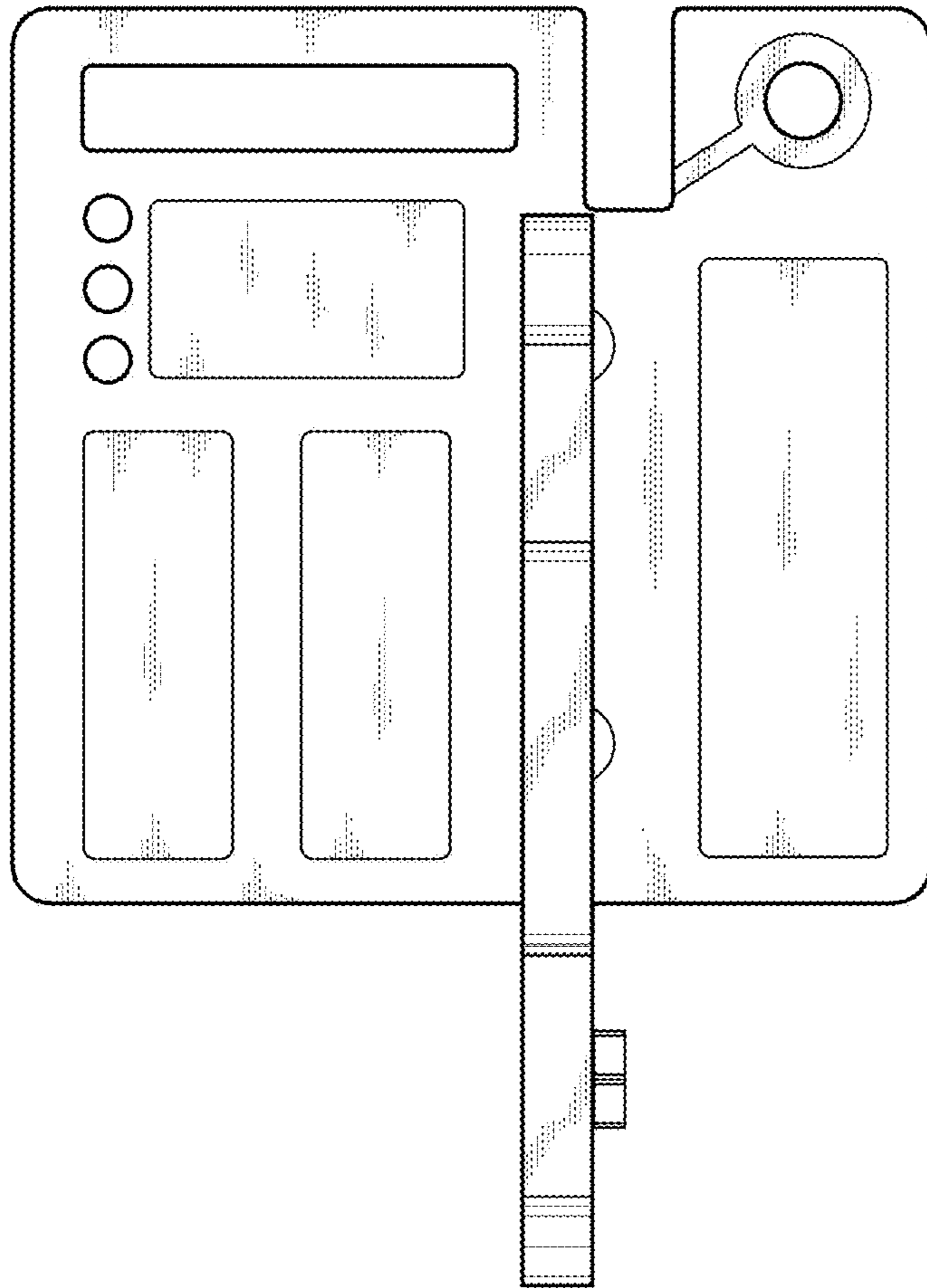


FIG. 4

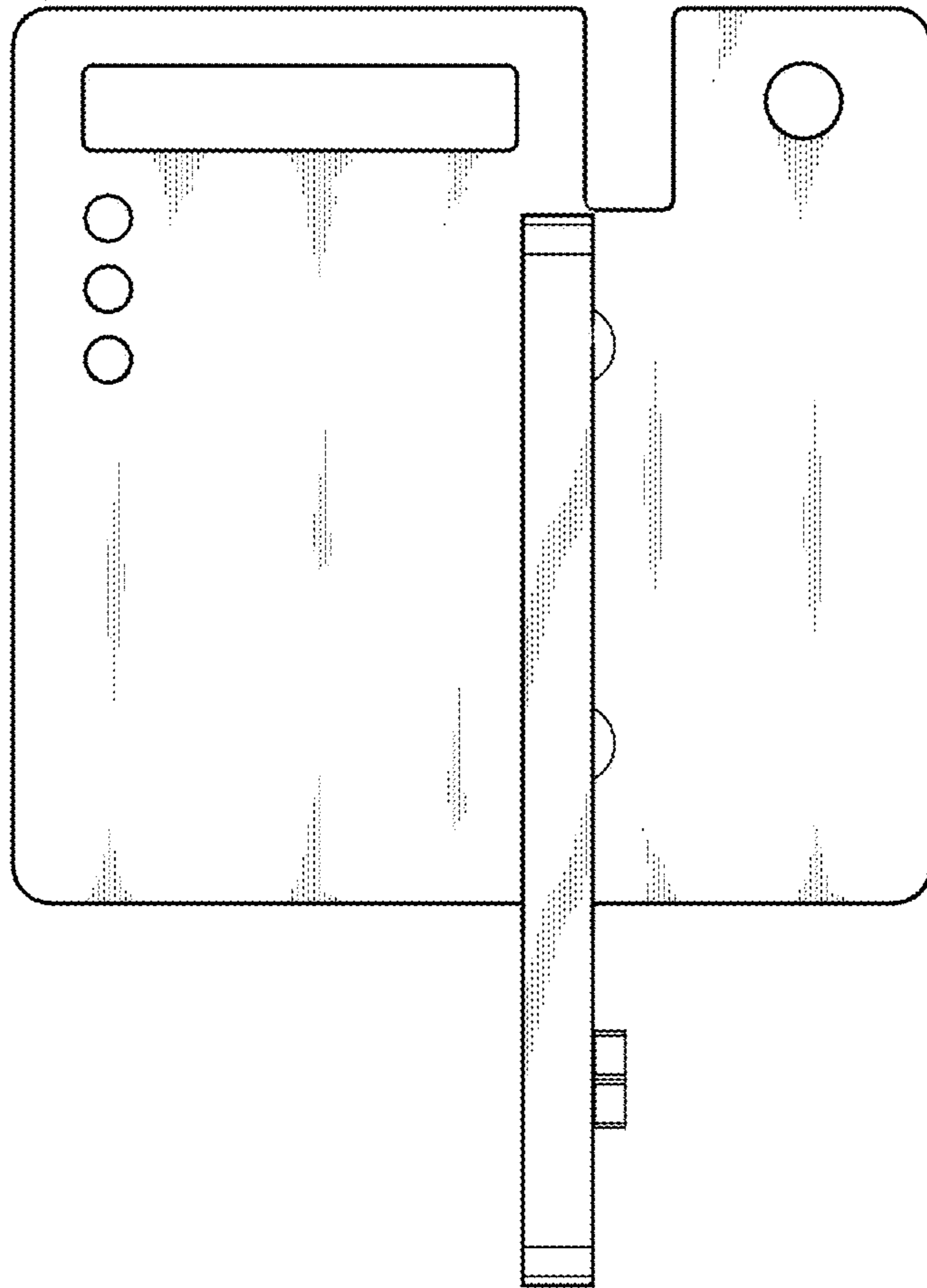


FIG. 5

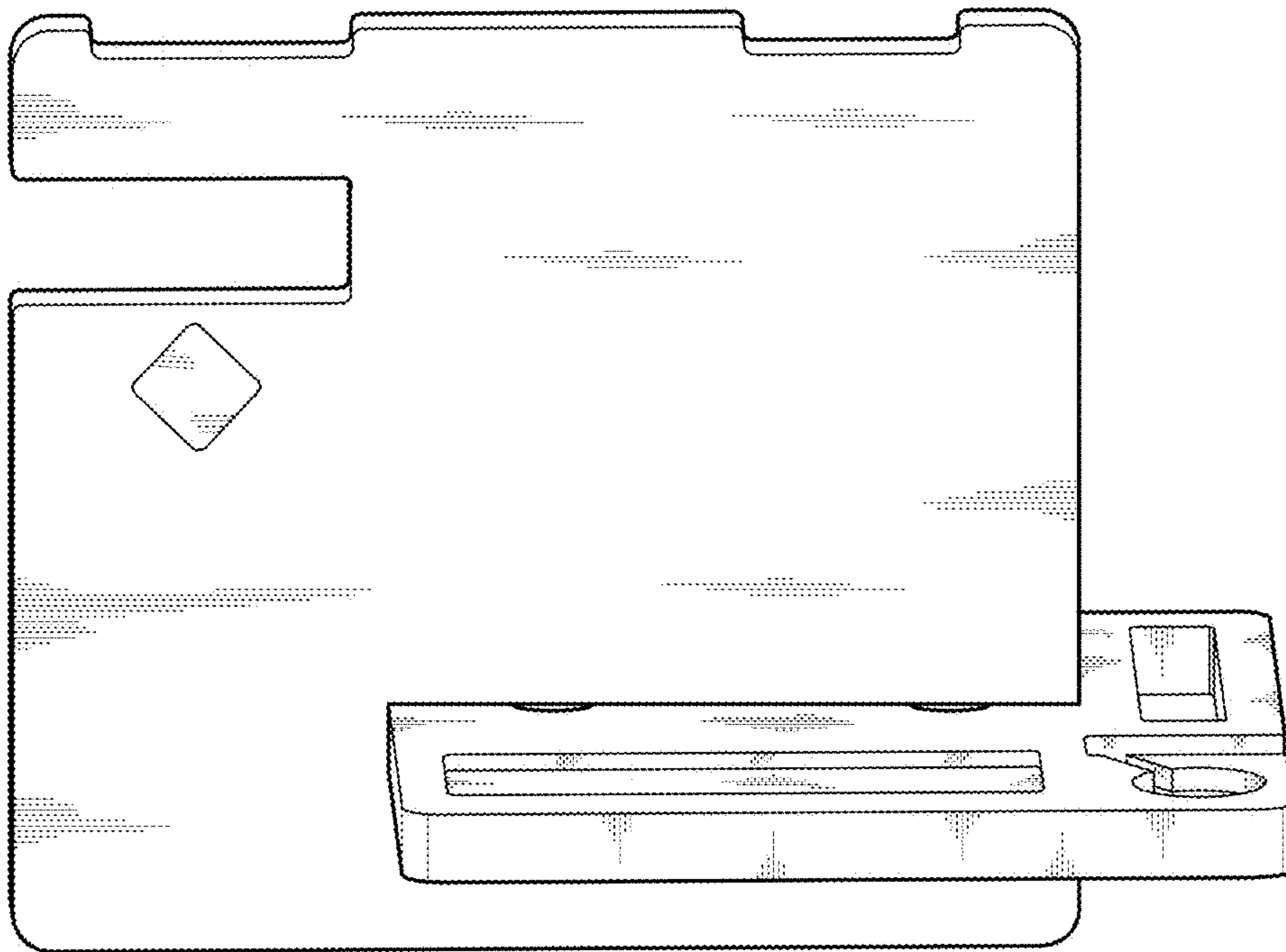


FIG. 6

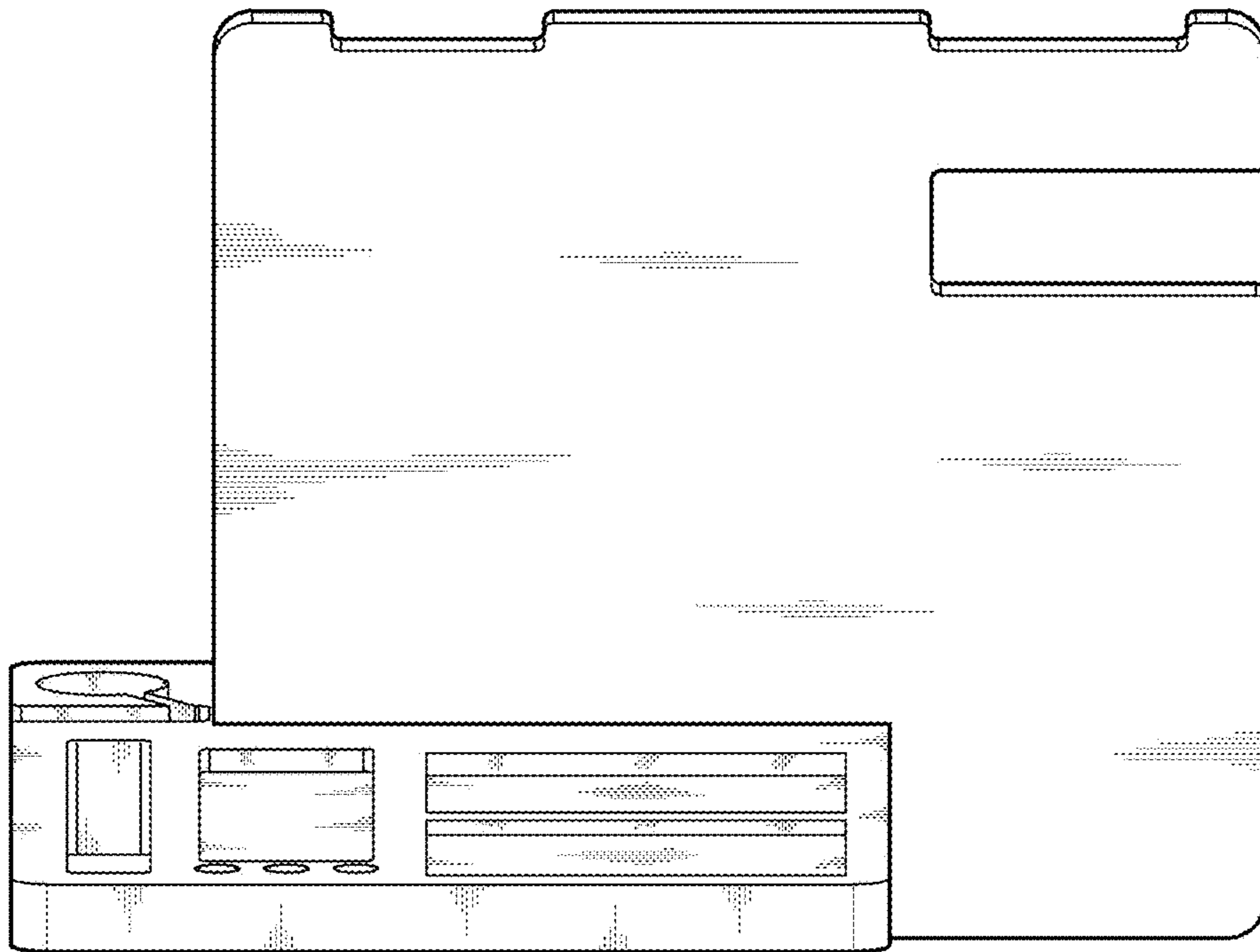


FIG. 7