



US00D945189S

(12) **United States Design Patent**
Lei

(10) **Patent No.:** **US D945,189 S**
(45) **Date of Patent:** **** Mar. 8, 2022**

- (54) **BOOKSHELF**
- (71) Applicant: **Maggie Jun Lei**, Los Angeles, CA (US)
- (72) Inventor: **Maggie Jun Lei**, Los Angeles, CA (US)
- (**) Term: **15 Years**
- (21) Appl. No.: **29/782,023**
- (22) Filed: **May 3, 2021**
- (51) **LOC (13) Cl.** **06-06**
- (52) **U.S. Cl.**
USPC **D6/675.1**
- (58) **Field of Classification Search**
USPC D6/672, 675, 675.1, 675.2, 675.3, 675.4,
D6/675.5
CPC A47F 1/00; A47F 5/0018; A47F 5/0043;
A47F 5/0081; A47F 7/0014; A47B 96/00;
A47B 96/02; A47B 47/00; A47B 47/021
See application file for complete search history.

D805,329 S *	12/2017	Rockwell	D6/675.3
D871,116 S *	12/2019	Li	D6/675.1
D907,414 S	1/2021	Li		
D920,013 S *	5/2021	Chu	D6/675.1
D926,503 S *	8/2021	Lin	D6/678.2
D932,816 S *	10/2021	Sun	D6/675.1
D938,204 S *	12/2021	Li	D6/675.1
2008/0023428 A1 *	1/2008	Mangano	A47B 96/061 211/193

* cited by examiner

Primary Examiner — Kelley A Donnelly

(74) *Attorney, Agent, or Firm* — Clement Cheng

(57) **CLAIM**

The ornamental design for a bookshelf, as shown and described.

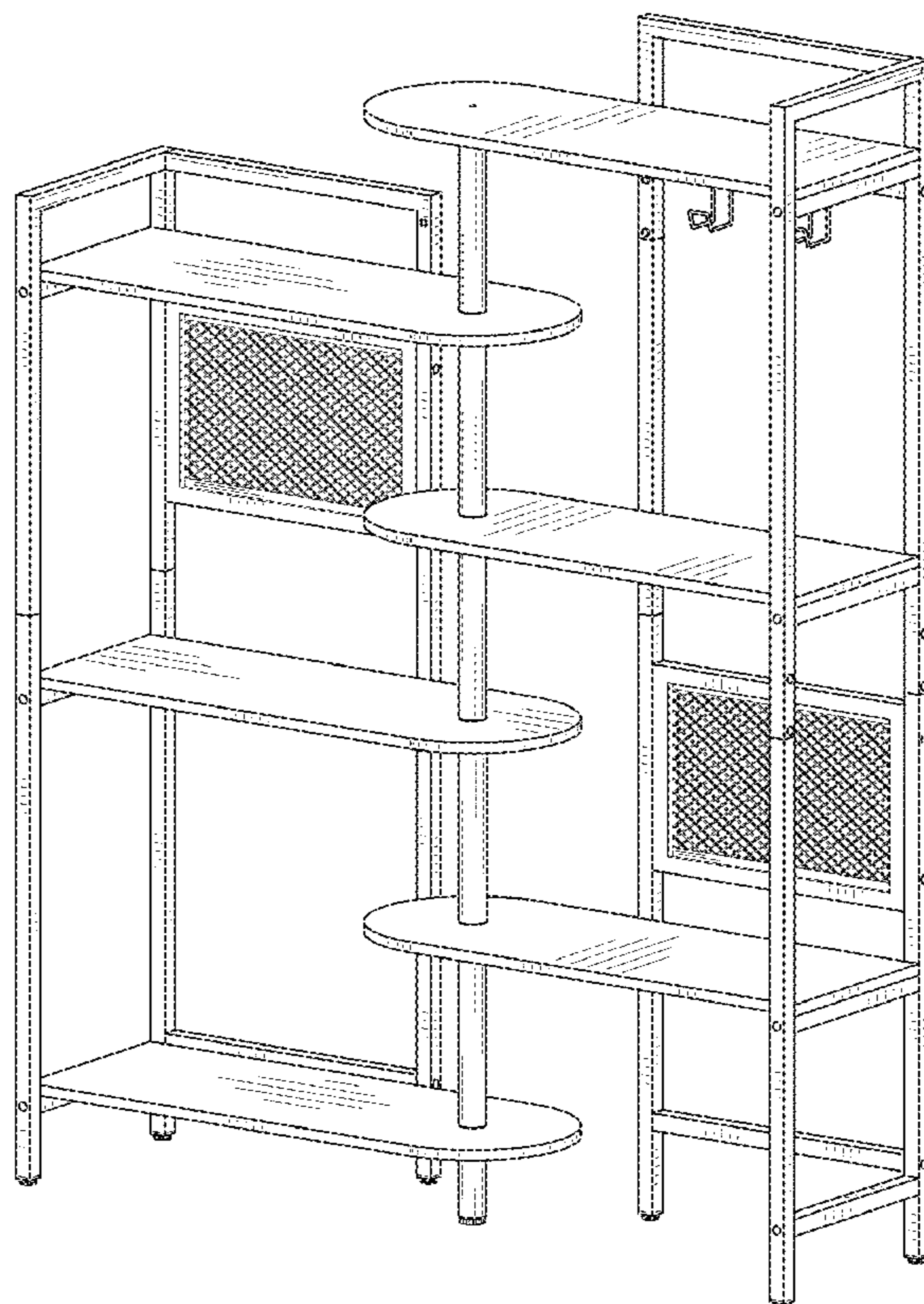
DESCRIPTION

FIG. 1 is a front perspective view of a bookshelf.
 FIG. 2 is a front view of the bookshelf shown in FIG. 1.
 FIG. 3 is a rear view of the bookshelf shown in FIG. 1.
 FIG. 4 is a left side view of the bookshelf shown in FIG. 1.
 FIG. 5 is a right side view of the bookshelf shown in FIG. 1.
 FIG. 6 is a top view of the bookshelf shown in FIG. 1.
 FIG. 7 is a bottom view of the bookshelf shown in FIG. 1.
 FIG. 8 is a first alternate configuration view of the bookshelf shown in FIG. 1; and,
 FIG. 9 is a second alternate configuration view of the bookshelf shown in FIG. 1.

(56) **References Cited**
U.S. PATENT DOCUMENTS

D320,896 S *	10/1991	Prevedello	D6/673
5,409,122 A *	4/1995	Lazarus	A47B 47/021 108/147.14
D497,738 S	11/2004	Sparkowski		
D499,583 S	12/2004	Anderson		
D562,594 S	2/2008	Thompson		
D744,773 S	12/2015	Yoon		
D777,489 S	1/2017	Stauss		

1 Claim, 8 Drawing Sheets



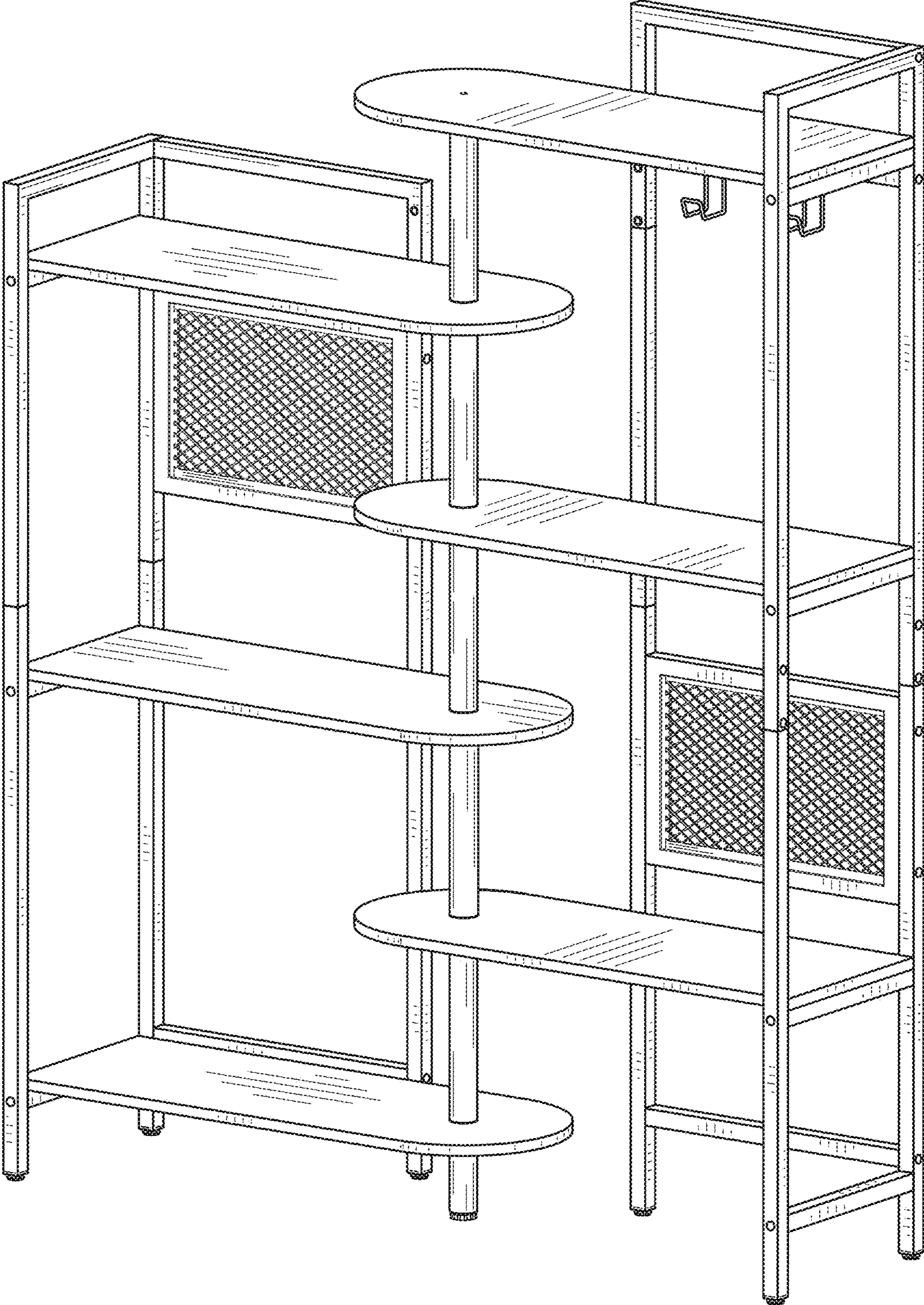


FIG. 1

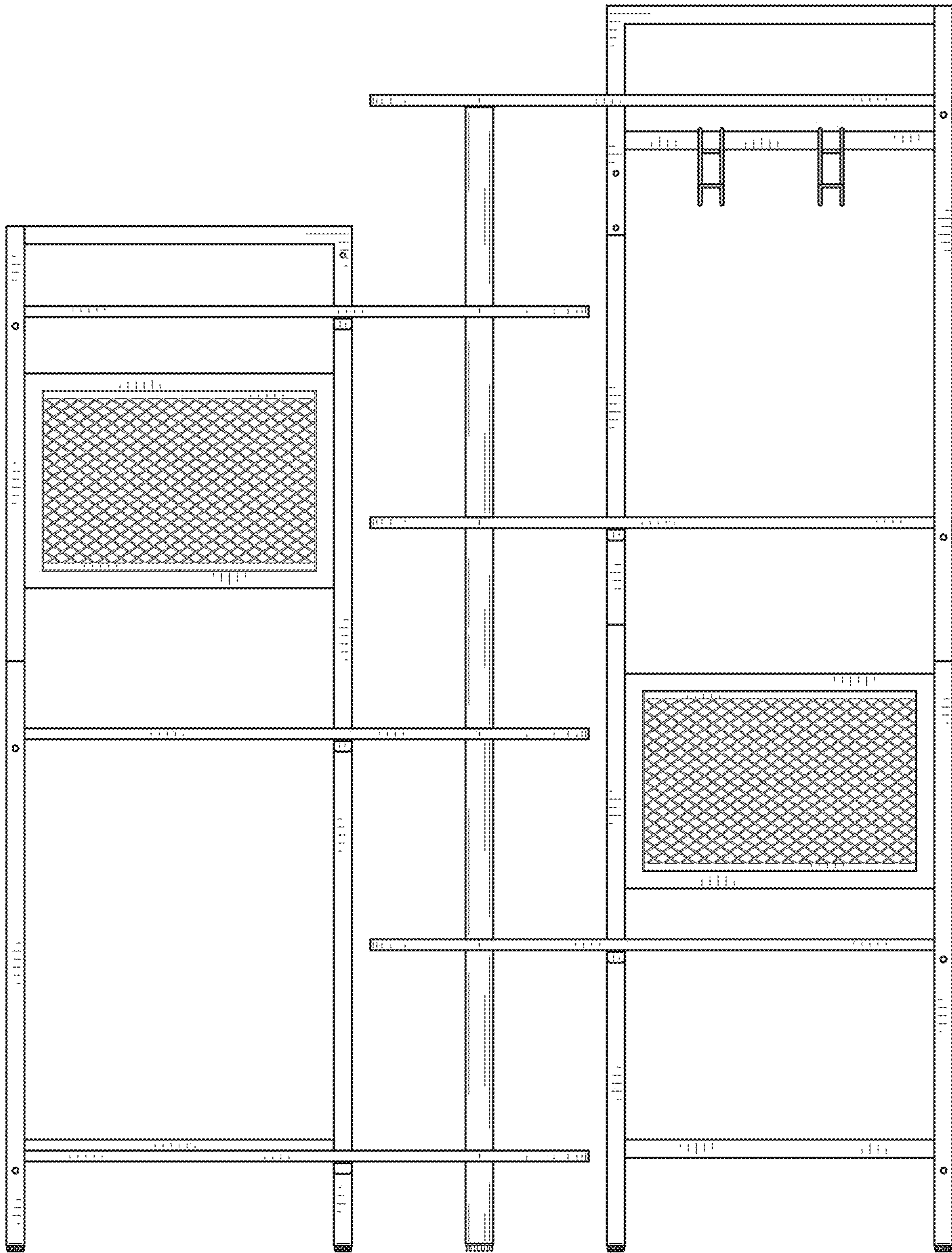


FIG. 2

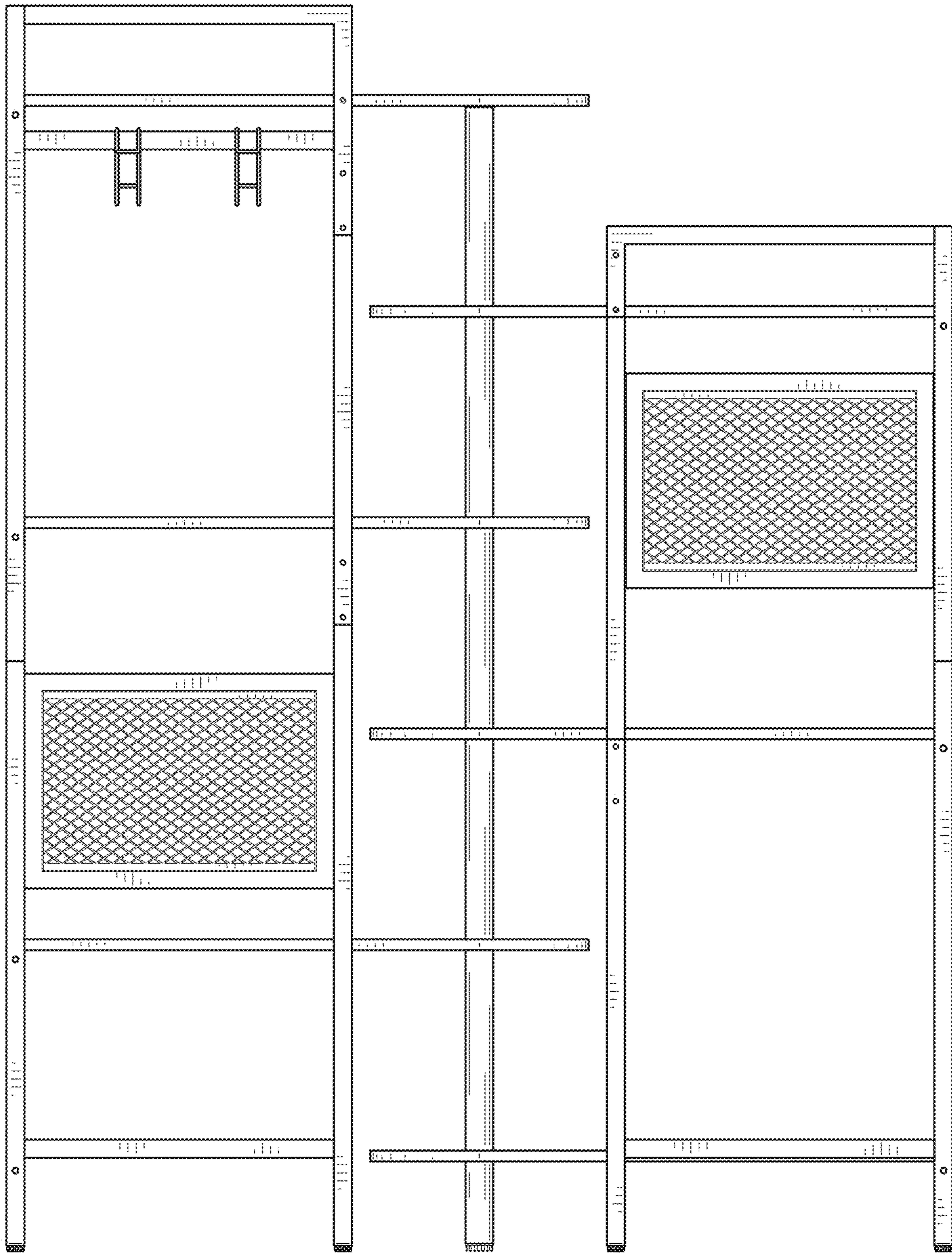


FIG. 3

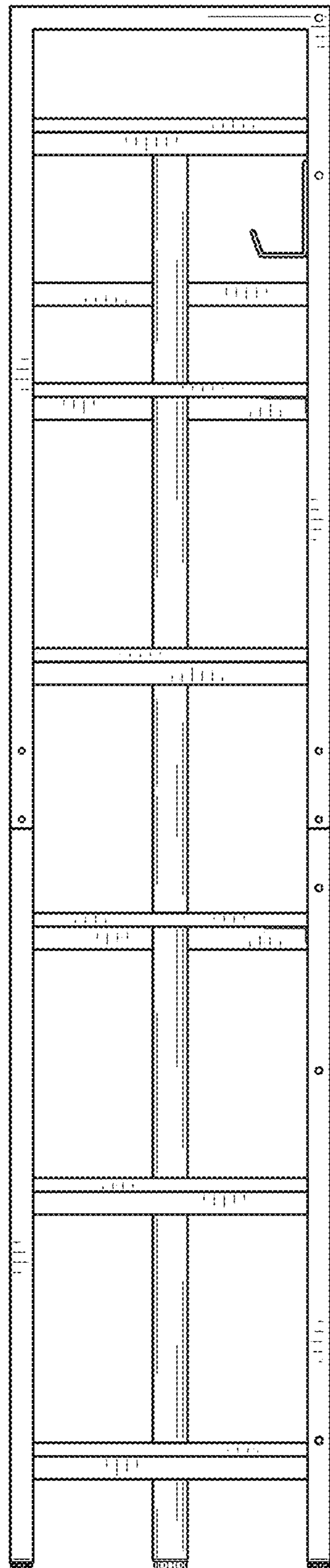


FIG. 4

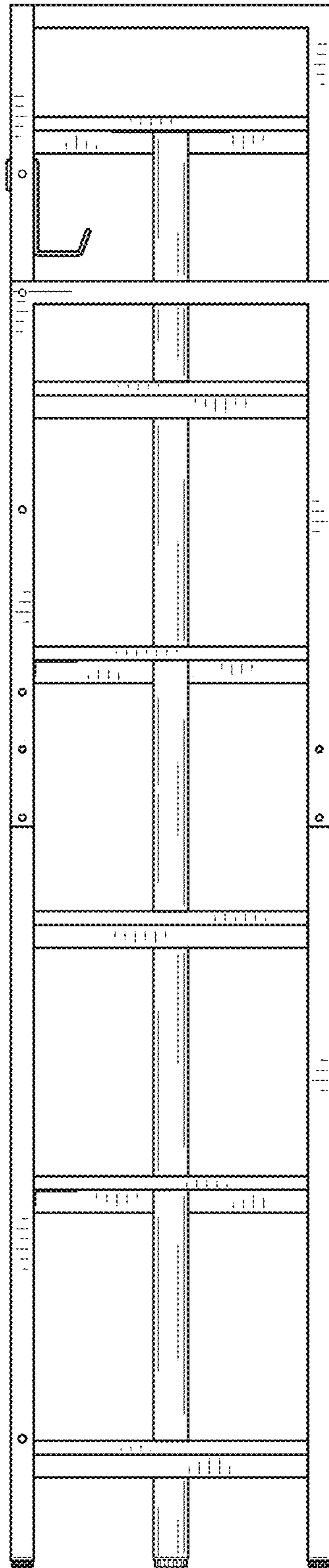


FIG. 5

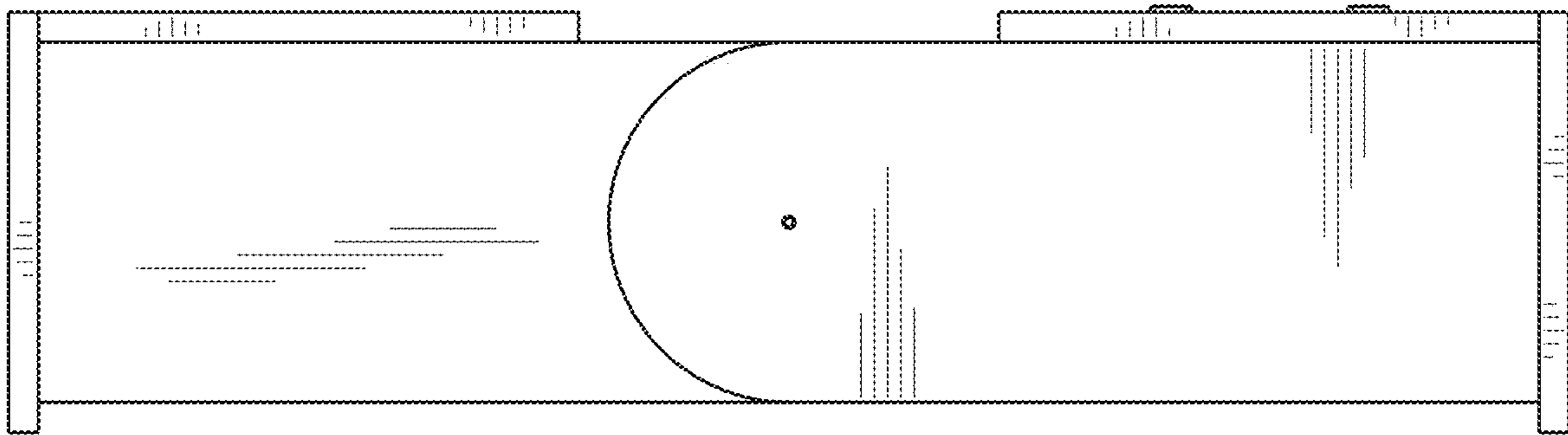


FIG. 6

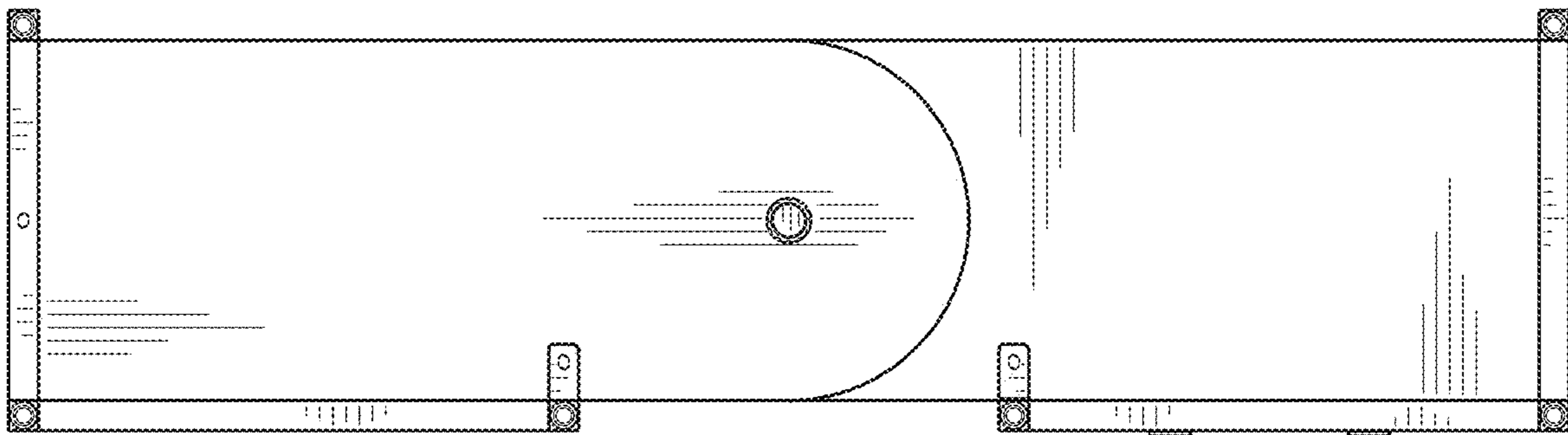


FIG. 7

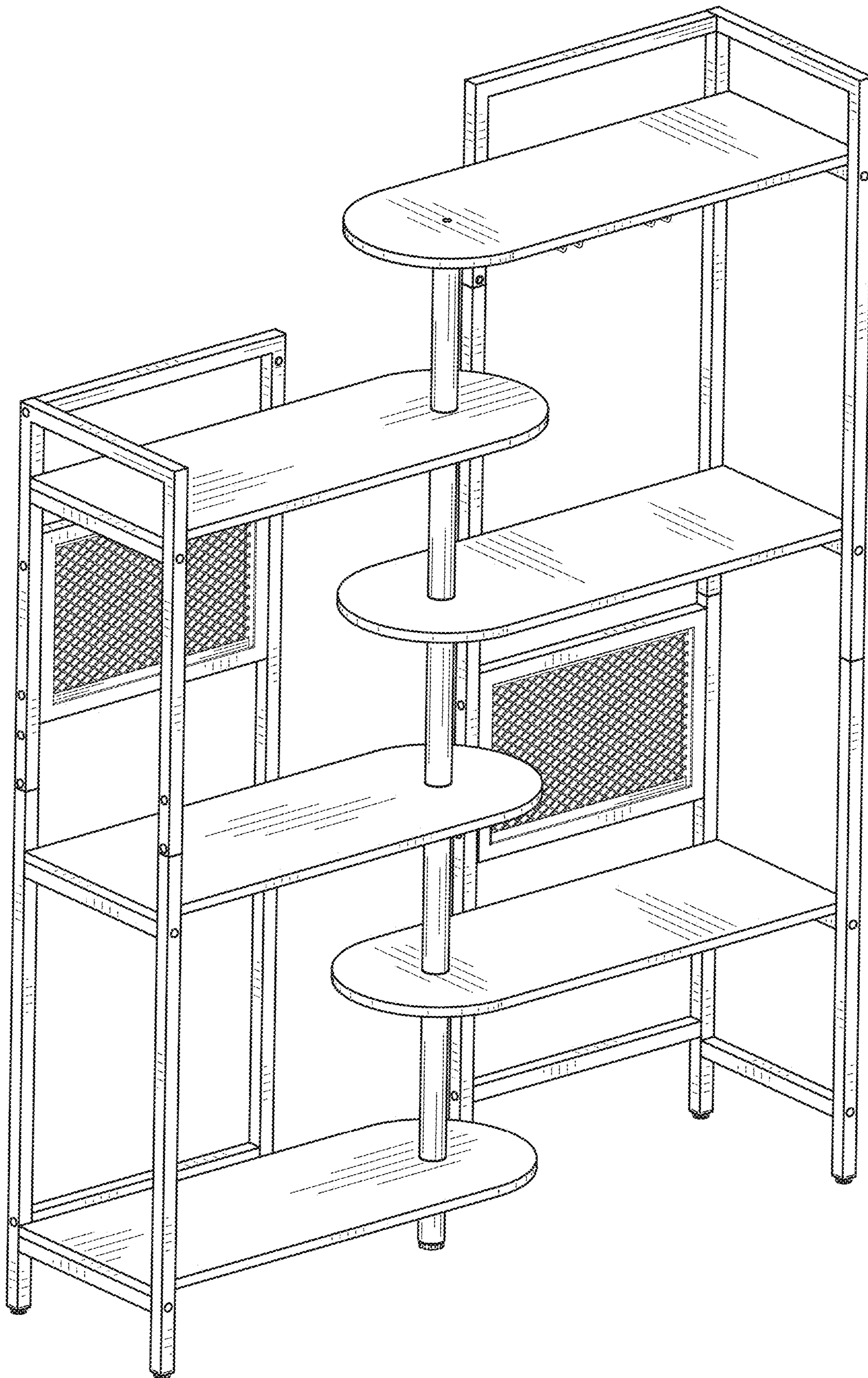


FIG. 8

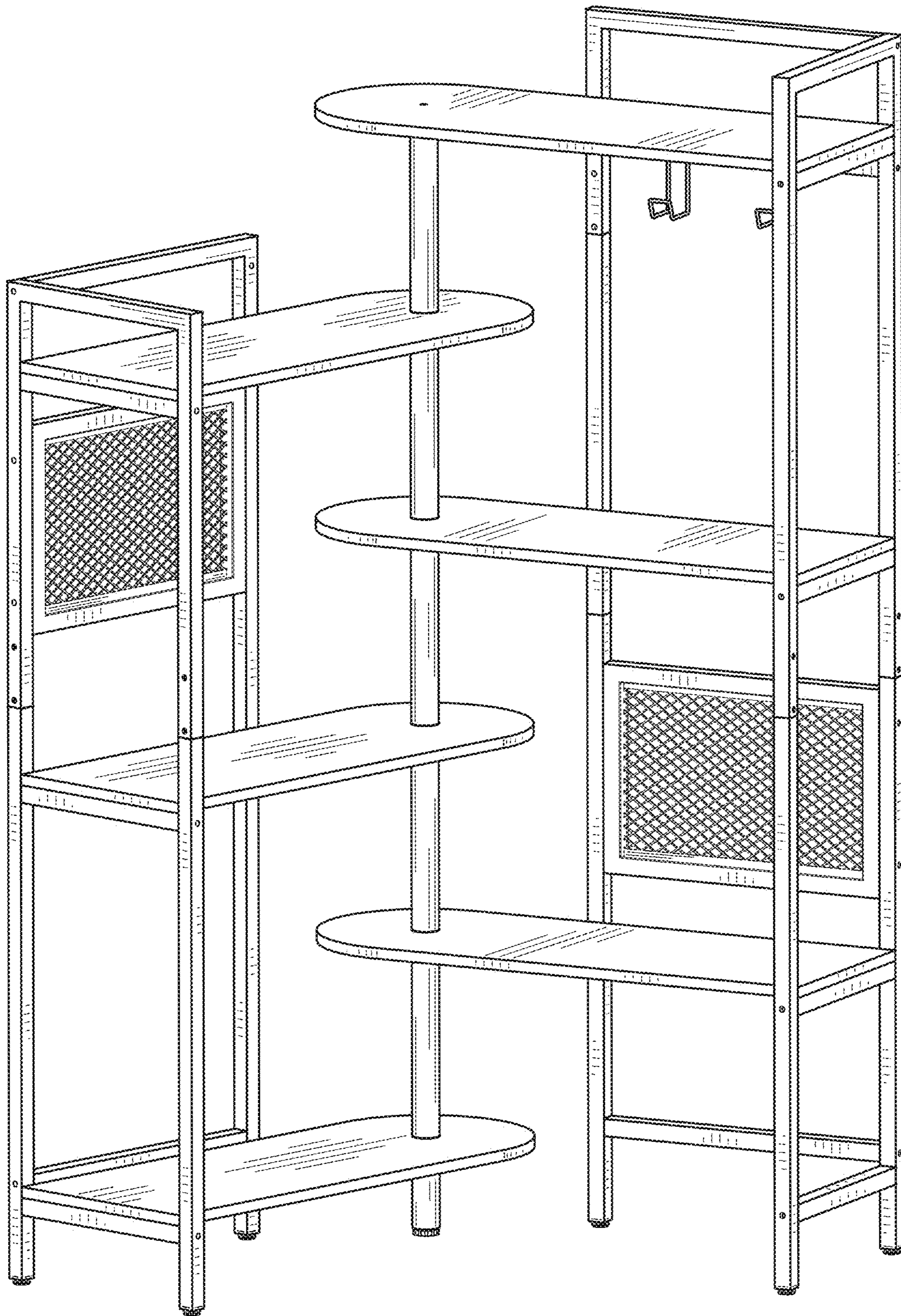


FIG. 9