



US00D945183S

(12) **United States Design Patent**  
**Theisen et al.**

(10) **Patent No.:** **US D945,183 S**  
(45) **Date of Patent:** **\*\* Mar. 8, 2022**

- (54) **CONTAINER UNIT**
- (71) Applicant: **Target Brands, Inc.**, Minneapolis, MN (US)
- (72) Inventors: **Jennifer A. Theisen**, Crystal, MN (US); **William Y. Stafford**, Minnetrista, MN (US); **Yin-Chie Huang**, Great Neck, NY (US); **Robert M. Gray**, Oceanside, NY (US)
- (73) Assignee: **Target Brands, Inc.**, Minneapolis, MN (US)
- (\*\*) Term: **15 Years**
- (21) Appl. No.: **29/723,690**
- (22) Filed: **Feb. 10, 2020**
- (51) **LOC (13) Cl.** ..... **06-04**
- (52) **U.S. Cl.**  
USPC ..... **D6/570**
- (58) **Field of Classification Search**  
USPC ..... D3/304-305, 307, 313, 318-319, 323, D3/328, 272; D6/702, 704-705, 512, D6/672, 675, 675.5, 681-681.2, D6/683-683.1, 570, 571  
CPC .... A47F 5/00; A47F 5/08; A47F 5/103; A47F 5/0807; A47F 5/0876; A47F 7/00; A47F 7/0021  
See application file for complete search history.

- 5,832,644 A \* 11/1998 Mason ..... G09F 7/22 40/642.02
- D403,175 S \* 12/1998 Dardashti ..... D6/681.2
- D437,719 S \* 2/2001 Dicellis ..... D6/571
- D445,274 S \* 7/2001 Gasmi ..... D6/553
- D446,051 S \* 8/2001 Gasmi ..... D6/675.4
- D465,372 S \* 11/2002 Shea ..... D6/567

(Continued)

**FOREIGN PATENT DOCUMENTS**

- GB 6080982 \* 1/2020
- KR 300973767.0000 \* 9/2018

**OTHER PUBLICATIONS**

Can Wine Retail Rack In The Aisle Display, unknown first available date, midwaydisplays.com [online] [site visited Dec. 14, 2021], Available at URL: <https://www.midwaydisplays.com/Can-Wine-Retail-Rack-In-The-Aisle-Display.html> (Year: 2021).\*

*Primary Examiner* — Michelle E. Wilson  
*Assistant Examiner* — Caitlin A Laverty  
(74) *Attorney, Agent, or Firm* — Leanne Taveggia Farrell; Westman, Champlin & Koehler, P.A.

(57) **CLAIM**

The ornamental design for a container unit, as shown and described.

**DESCRIPTION**

FIG. 1 is a perspective view of a container unit showing our new design;  
FIG. 2 is a front view thereof;  
FIG. 3 is a back view thereof;  
FIG. 4 is a left side view thereof;  
FIG. 5 is a top view thereof; and,  
FIG. 6 is a bottom view thereof.

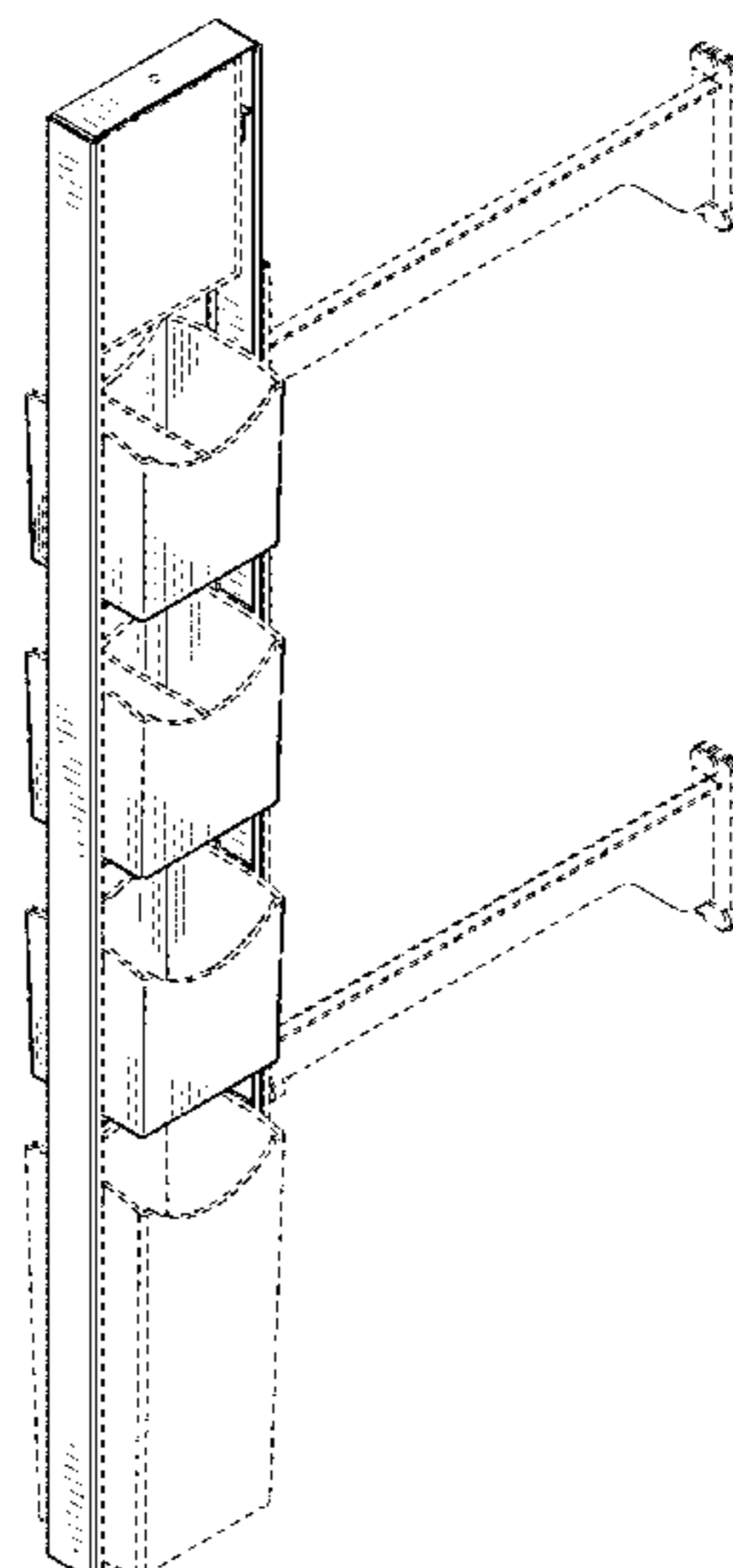
The broken lines shown in the drawings are included for purposes of illustrating portions of the container unit and form no part of the claimed design.

**1 Claim, 5 Drawing Sheets**

(56) **References Cited**

**U.S. PATENT DOCUMENTS**

- D39,882 S \* 3/1909 Wortley ..... D20/42
- 1,446,036 A \* 2/1923 Dodd ..... A47F 5/08 211/85.17
- D103,046 S \* 2/1937 Ellis ..... D20/42
- 2,916,161 A \* 12/1959 Schaefer ..... B65D 21/0215 211/126.2
- D250,560 S \* 12/1978 Gordon ..... D6/570
- D276,009 S \* 10/1984 Ousley ..... D6/525



(56)

**References Cited**

U.S. PATENT DOCUMENTS

D590,448	S	*	4/2009	Dukes	.....	D20/42
D609,753	S	*	2/2010	Dukes	.....	D20/43
D634,946	S	*	3/2011	Gillespie	.....	D6/672
D715,072	S	*	10/2014	Simonetti	.....	D6/571
D716,552	S	*	11/2014	Theisen	.....	D3/304
D727,068	S	*	4/2015	Theisen	.....	D6/559
D735,493	S	*	8/2015	Theisen	.....	D6/559
D745,333	S	*	12/2015	Greenwood	.....	D7/600.1
D745,794	S	*	12/2015	Knoll	.....	D6/681
D751,650	S	*	3/2016	Landwehr	.....	D20/43
D849,458	S	*	5/2019	Nichols	.....	D6/672
D882,308	S	*	4/2020	Erebia	.....	D6/681.1
D894,647	S	*	9/2020	Erebia	.....	D6/681.1
D906,741	S	*	1/2021	Pedersen	.....	D6/682.3
D914,418	S	*	3/2021	Kilburn	.....	D6/702
D923,367	S	*	6/2021	Hornbacher	.....	D6/672

\* cited by examiner

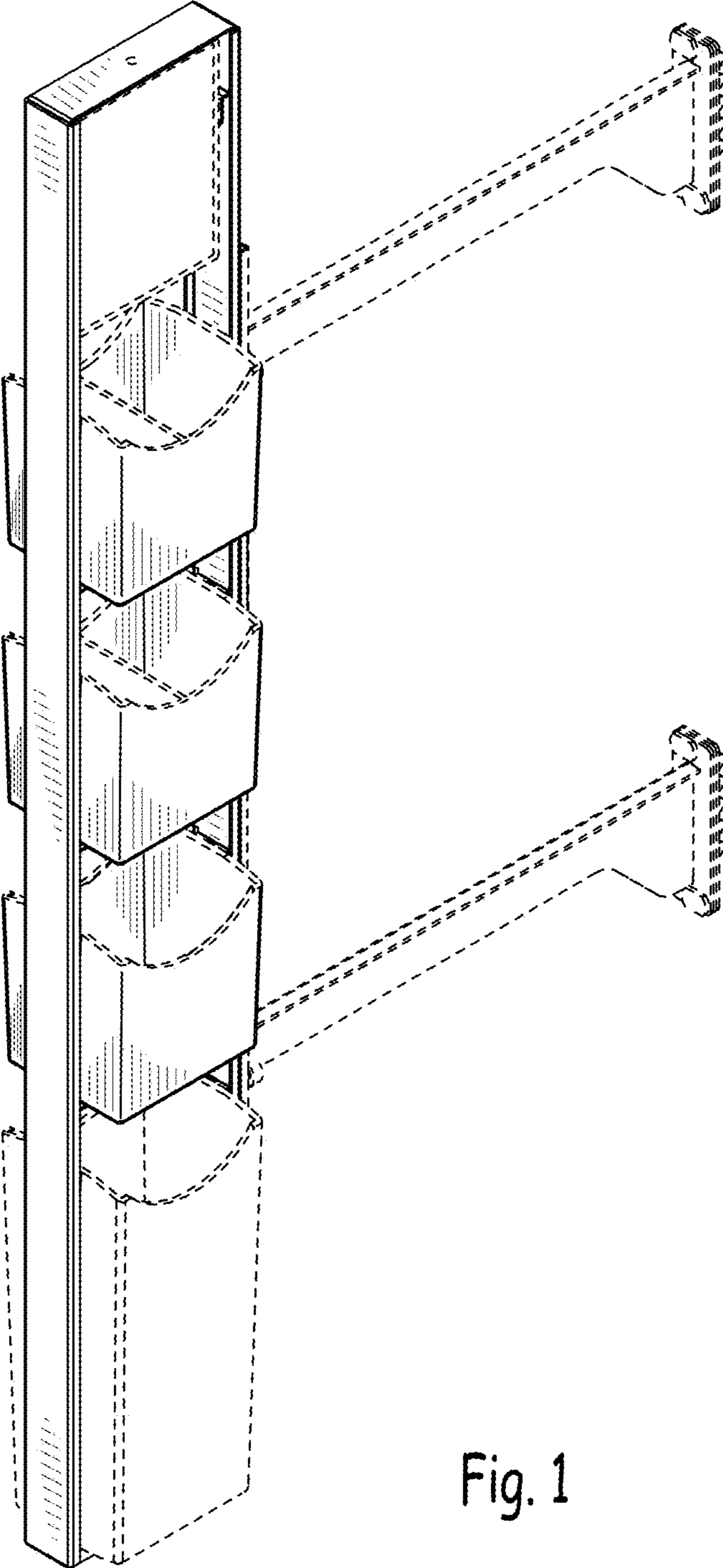


Fig. 1

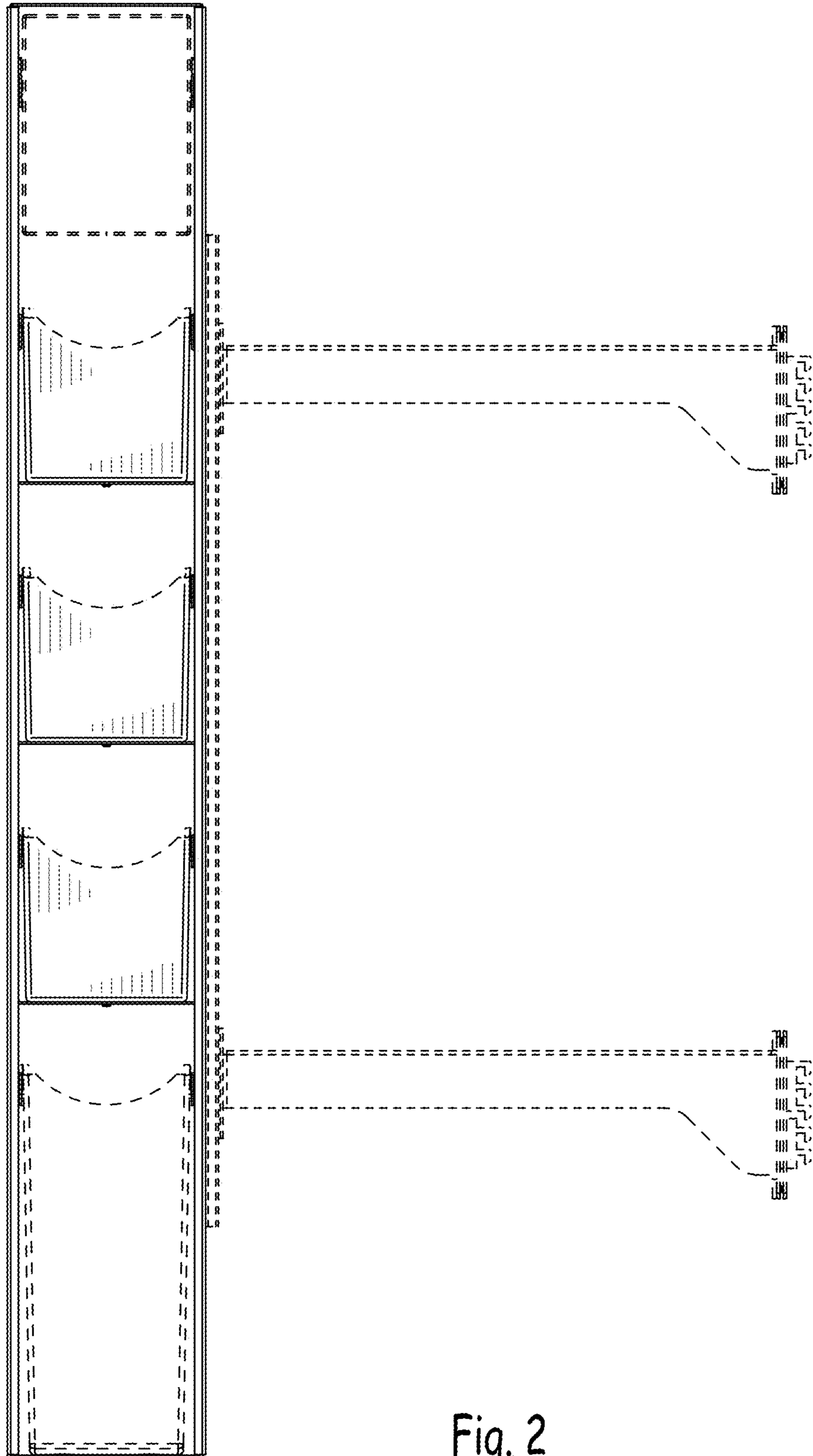


Fig. 2

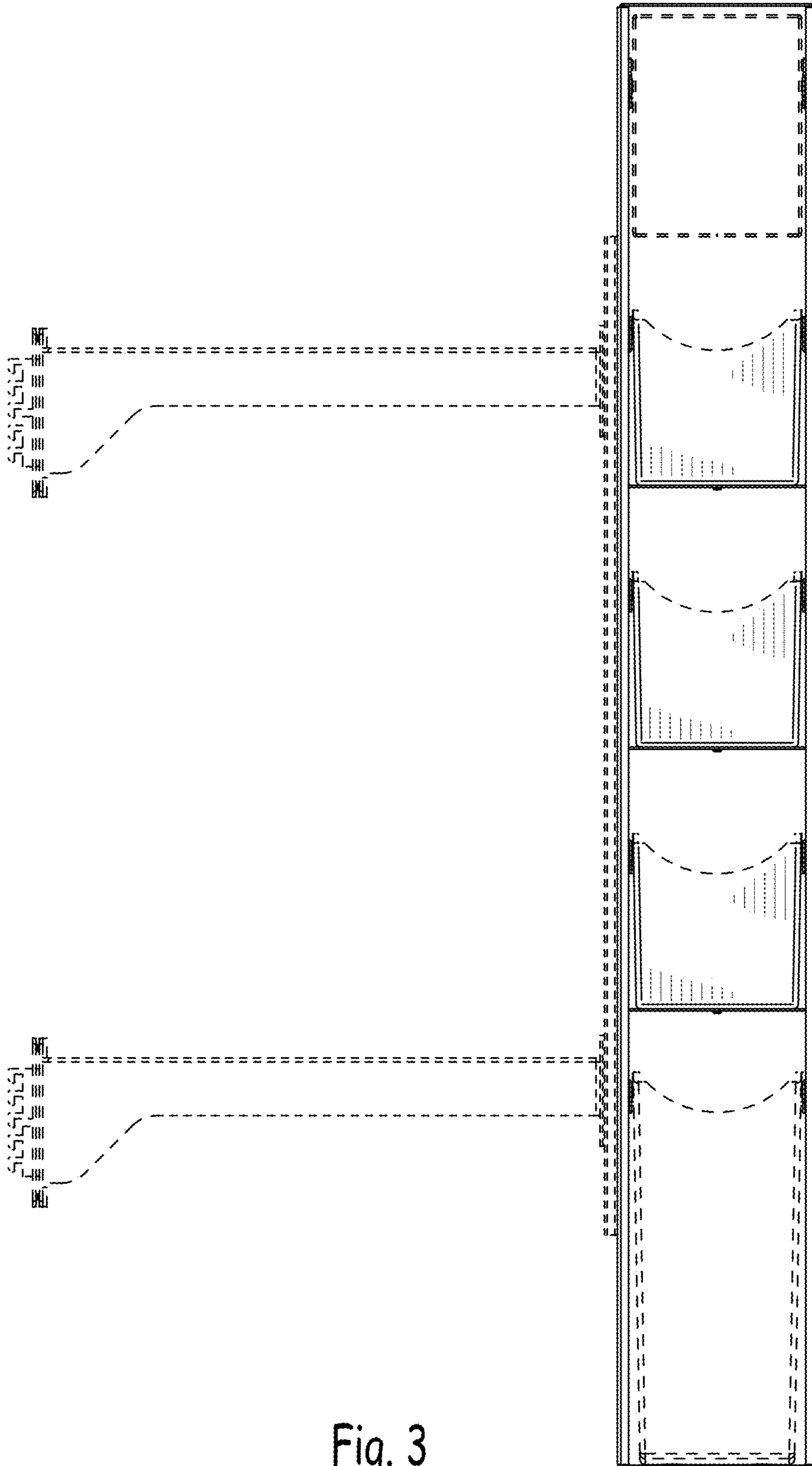


Fig. 3



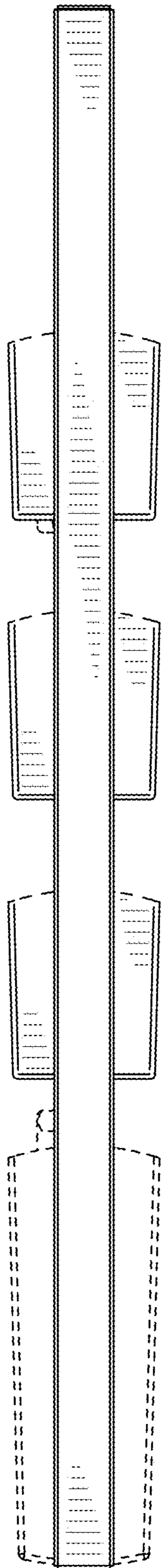


Fig. 4

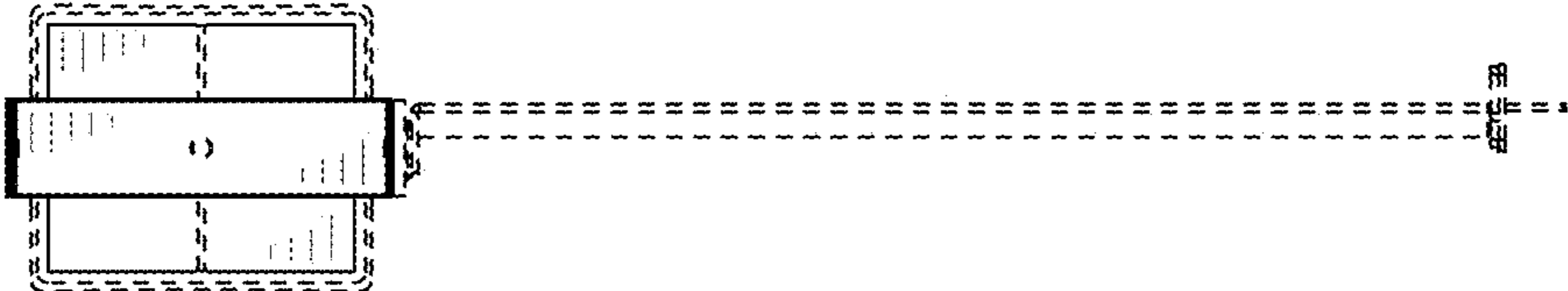


Fig. 5

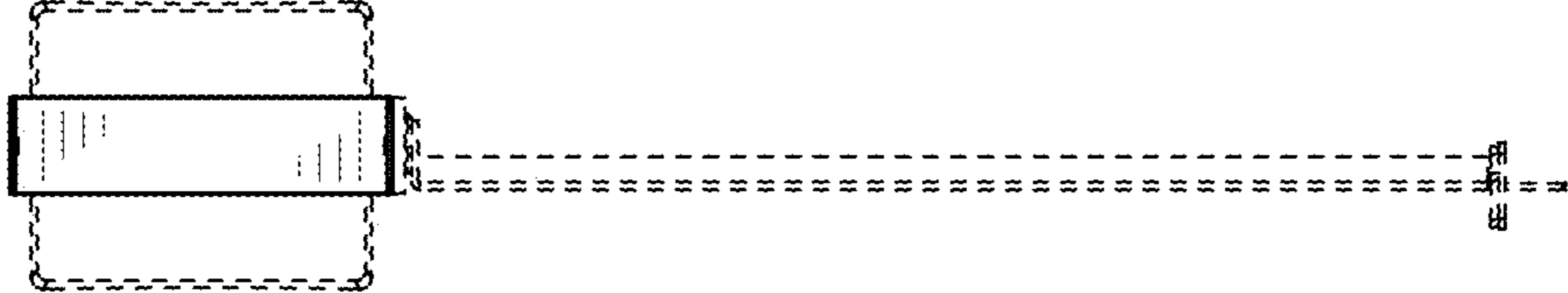


Fig. 6