



US00D945182S

(12) **United States Design Patent**
Schüle

(10) **Patent No.:** **US D945,182 S**
(45) **Date of Patent:** **** Mar. 8, 2022**

(54) **HOLDER FOR SOAP DISPENSER**
(71) Applicant: **Bode Chemie GmbH**, Hamburg (DE)
(72) Inventor: **Sandra Schüle**, Hamburg (DE)
(73) Assignee: **Bode Chemie GmbH**, Hamburg (DE)
(**) Term: **15 Years**
(21) Appl. No.: **35/510,533**
(22) Filed: **Apr. 3, 2020**
(80) **Hague Agreement Data**
Int. Filing Date: **Apr. 3, 2020**
Int. Reg. No.: **DM/207809**
Int. Reg. Date: **Apr. 3, 2020**
Int. Reg. Pub. Date: **Oct. 9, 2020**

2,682,705 A * 7/1954 Johnson A47G 21/04
30/324
D305,852 S * 2/1990 Clement D7/681
5,735,050 A * 4/1998 Hsieh A47G 21/04
30/322
D424,888 S * 5/2000 Shane-Schuldt D7/653
D554,951 S * 11/2007 McGrath D7/653
D575,593 S * 8/2008 Svartstrom D7/644
D629,660 S * 12/2010 Holcomb D7/653
D651,481 S * 1/2012 Orr D7/653
D692,324 S * 10/2013 Wong D10/46.3
10,004,349 B2 * 6/2018 Vidal A47G 21/02
D905,551 S * 12/2020 Baird Loya D9/436
D906,007 S * 12/2020 Rossi D6/545
D914,469 S * 3/2021 Xie D7/691
D915,846 S * 4/2021 Xie D7/691
D923,354 S * 6/2021 Rossi D6/540
2020/0022515 A1 * 1/2020 Park A47G 21/02

* cited by examiner

Primary Examiner — Mary Ann Calabrese

Assistant Examiner — Catherine Ho

(74) *Attorney, Agent, or Firm* — Burr & Brown, PLLC

(51) **LOC (13) Cl.** **06-04**
(52) **U.S. Cl.**
USPC **D6/542**
(58) **Field of Classification Search**
USPC D6/512, 515, 518, 522, 523, 524, 536,
D6/542, 545
CPC .. A47G 21/04; A47G 21/06; A47G 2021/002;
A61J 7/0053; A61J 7/0023
See application file for complete search history.

(57) **CLAIM**

The ornamental design for a holder for soap dispenser, as shown and described.

DESCRIPTION

- 1. Holder for soap dispenser
- 1.1 : Perspective
- 1.2 : Front
- 1.3 : Top
- 1.4 : Back
- 1.5 : Left
- 1.6 : Right
- 1.7 : Bottom

(56) **References Cited**
U.S. PATENT DOCUMENTS
1,337,174 A * 4/1920 Whyte A47G 21/06
30/150
1,425,456 A * 8/1922 Dial B65D 51/246
215/228
2,291,981 A * 8/1942 Leoneururer A47G 21/04
30/324

1 Claim, 7 Drawing Sheets

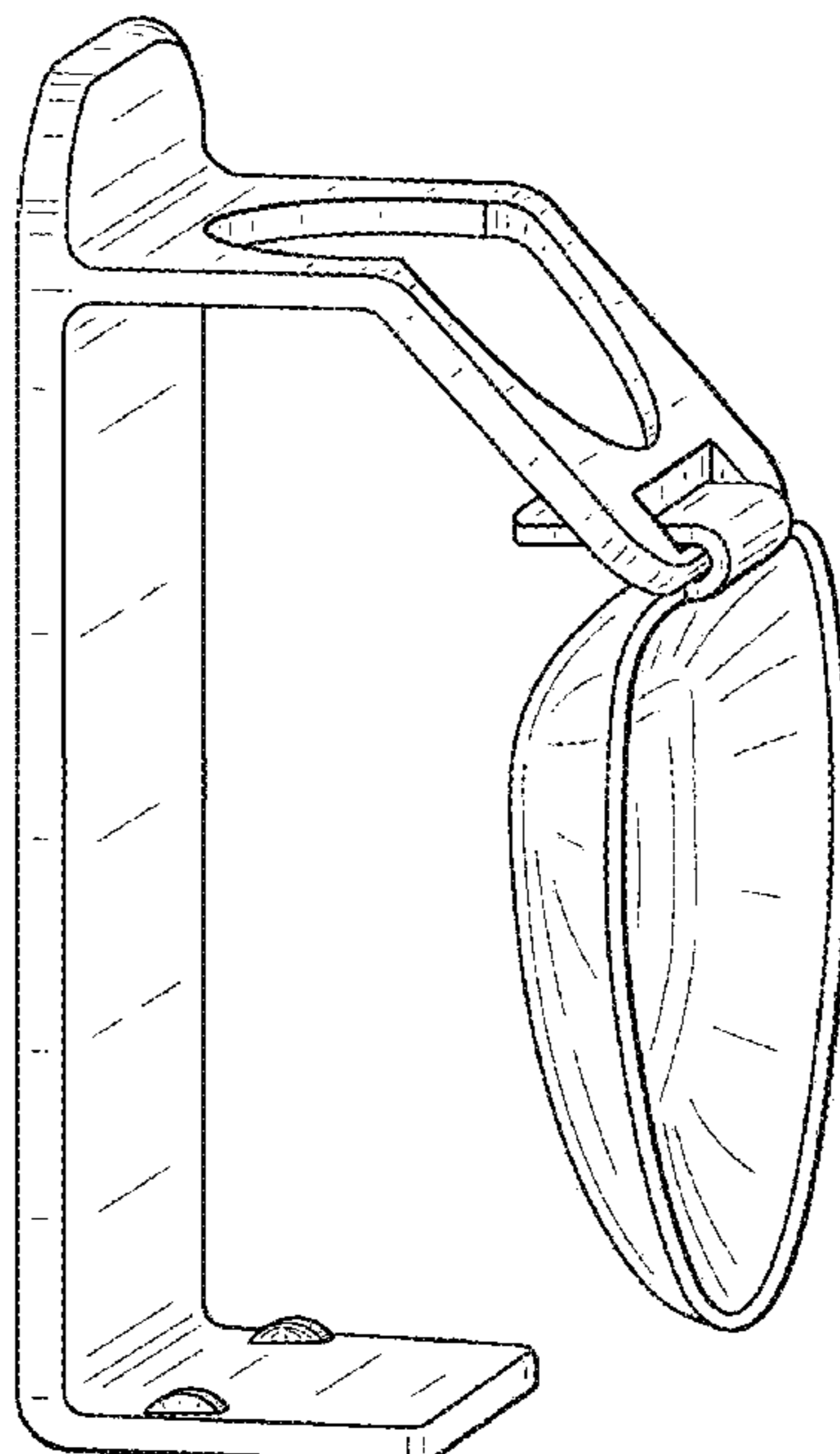


FIG. 1.1

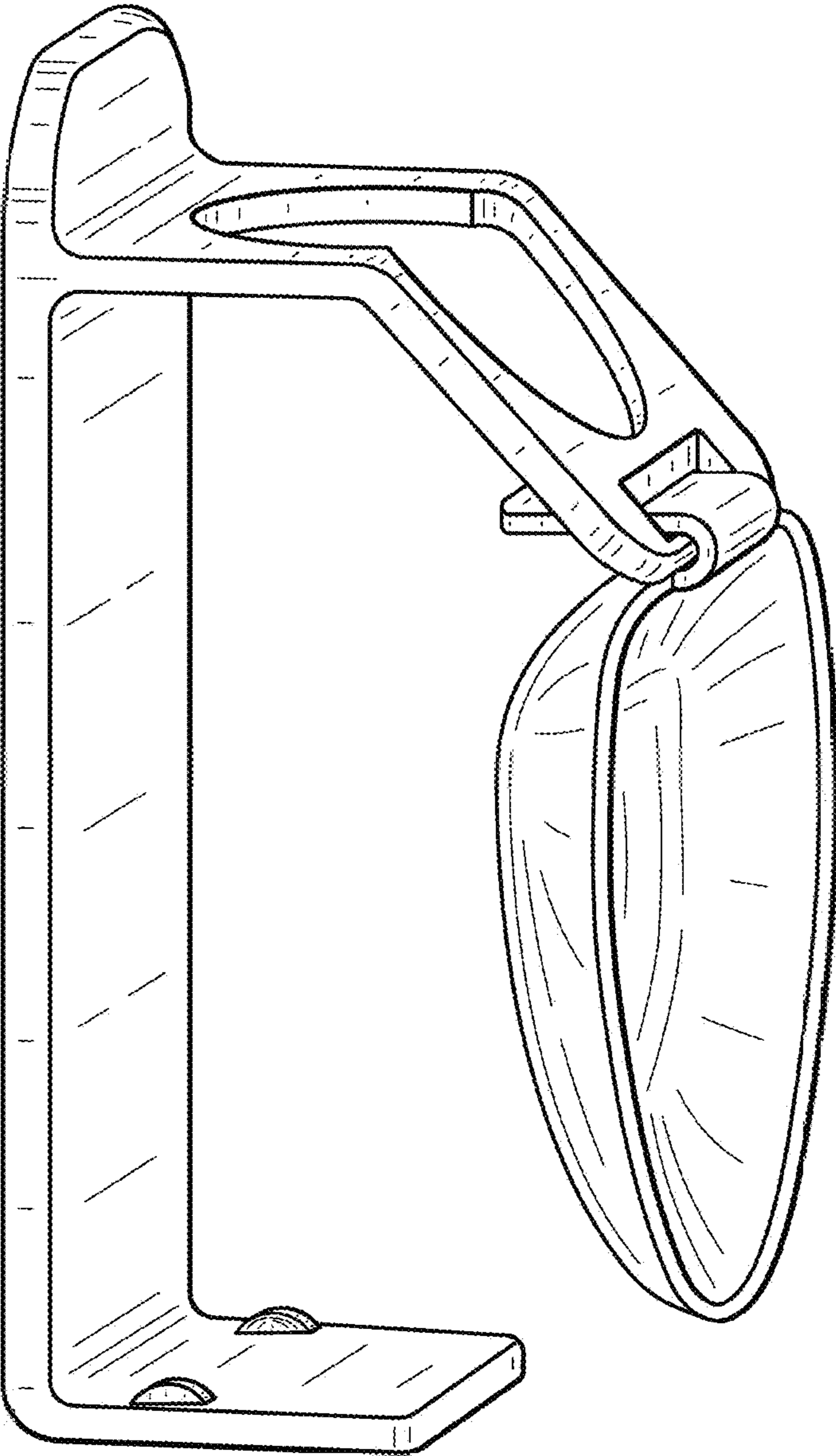


FIG. 1.2

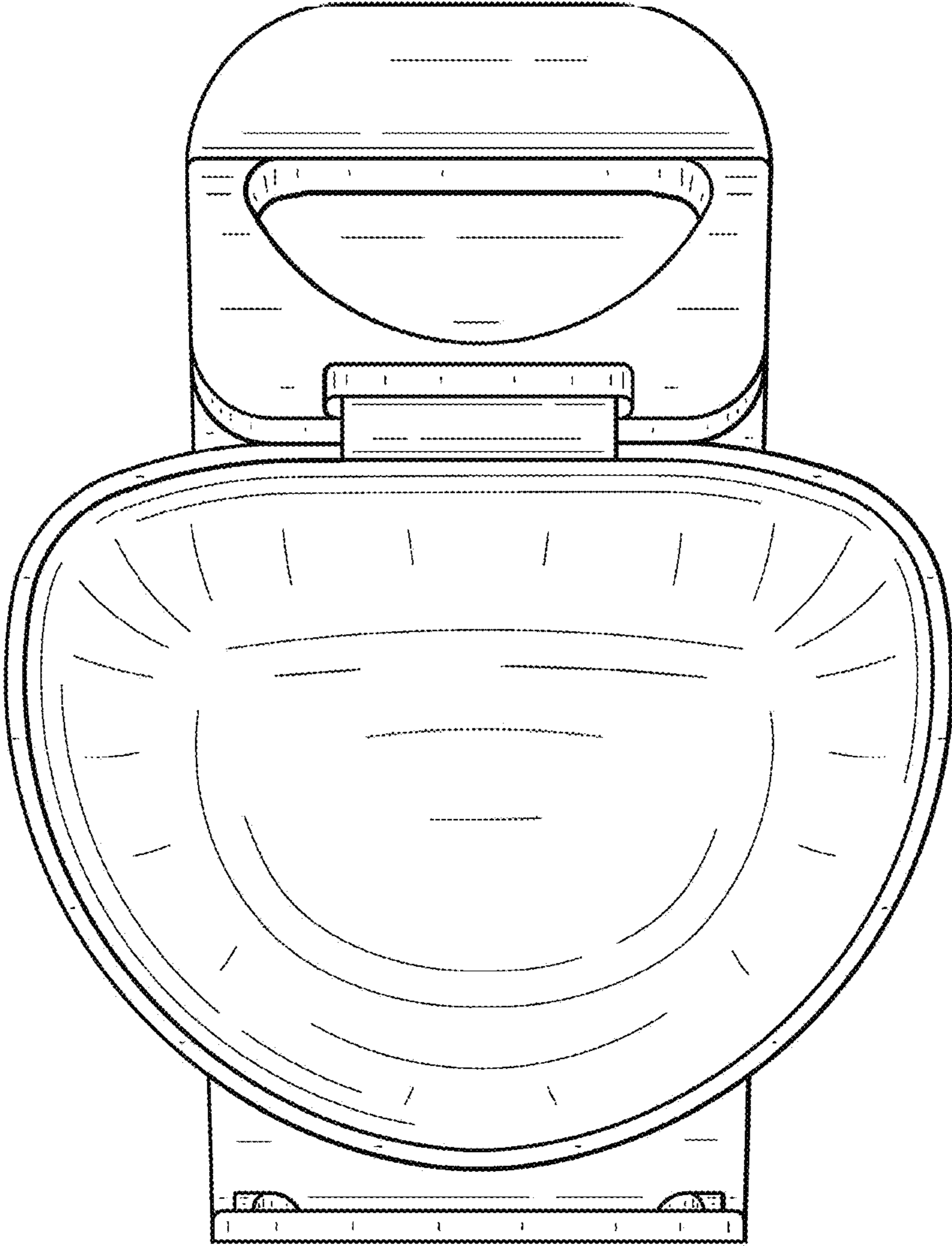


FIG. 1.3

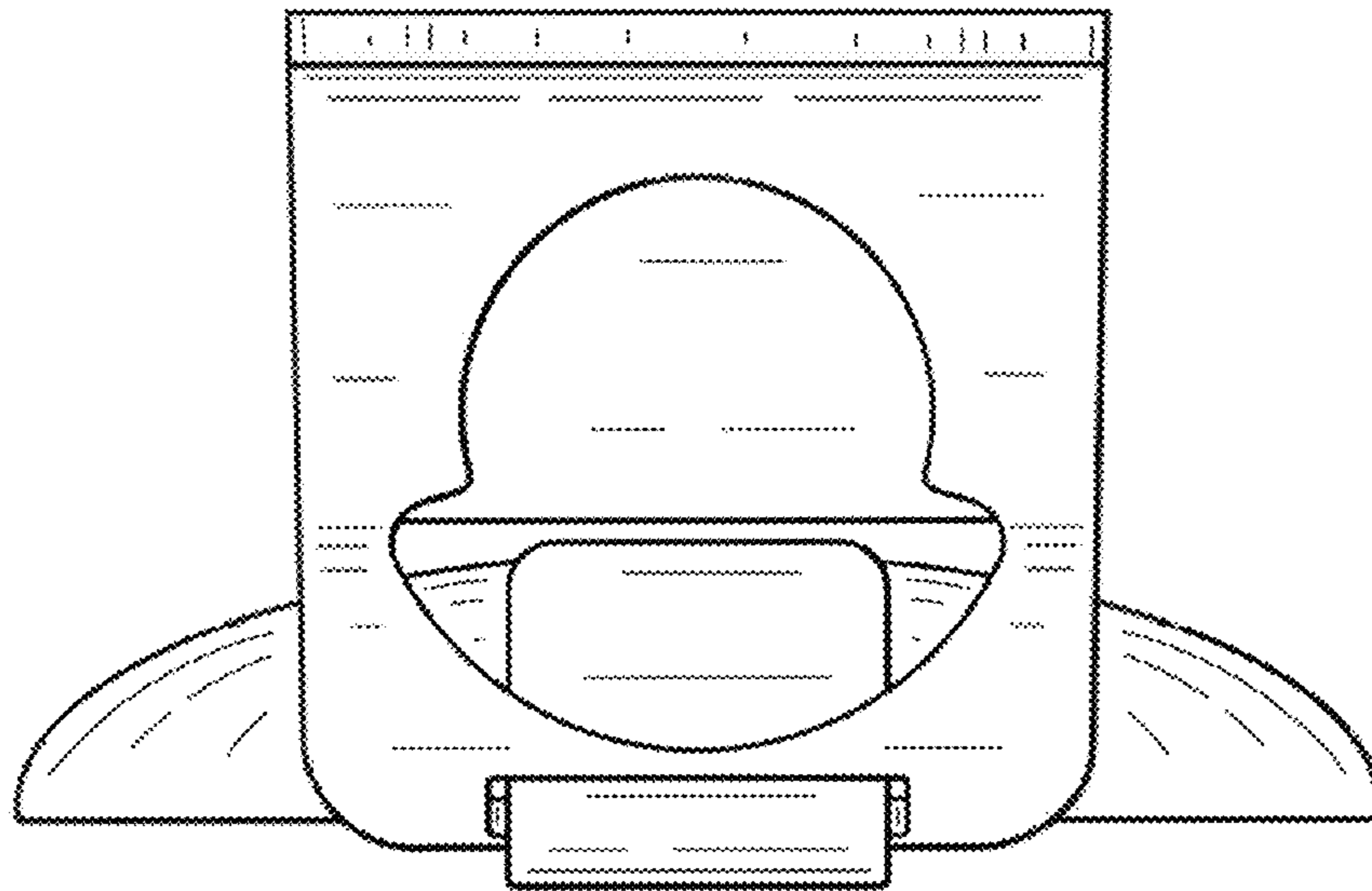


FIG. 1.4

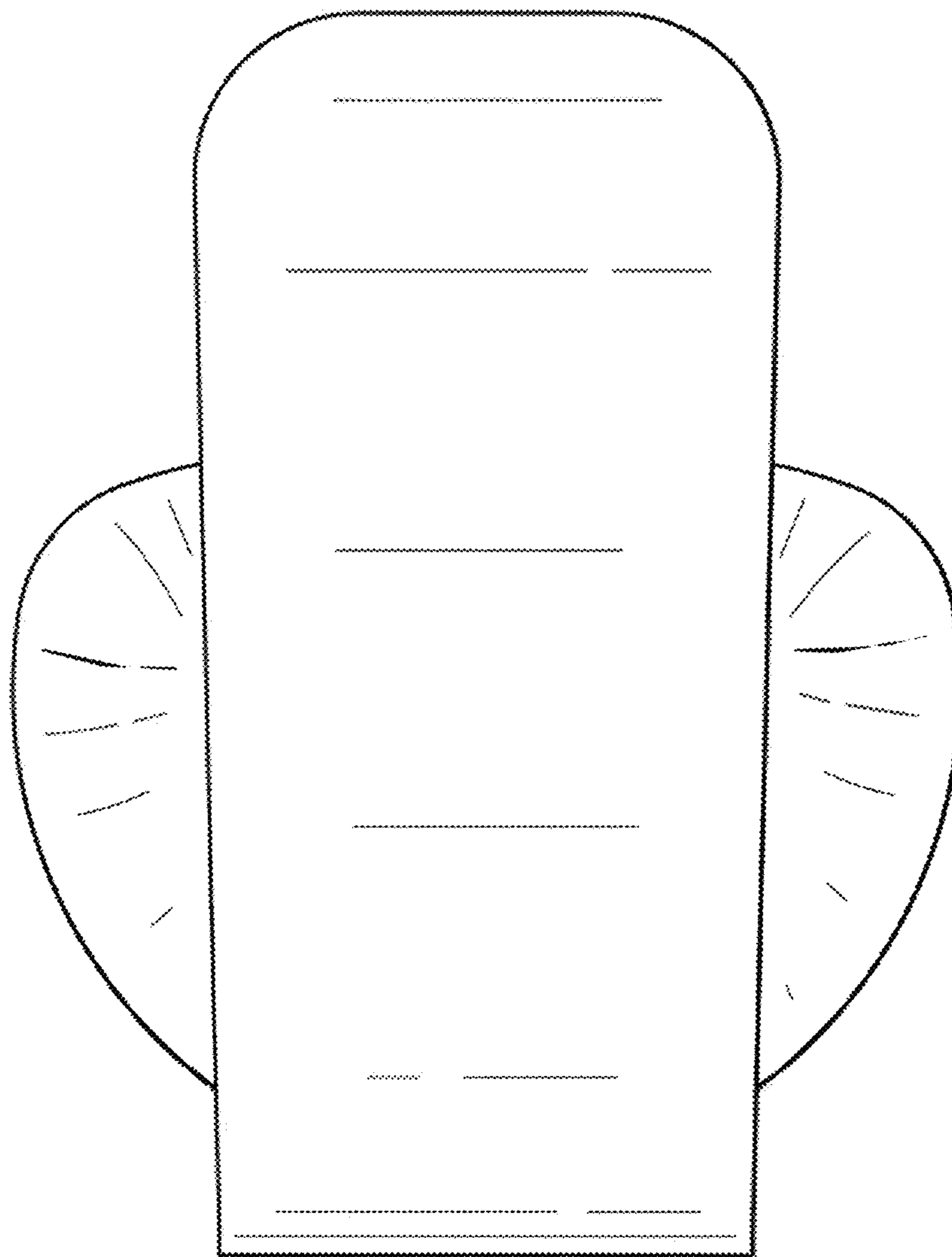


FIG. 1.5

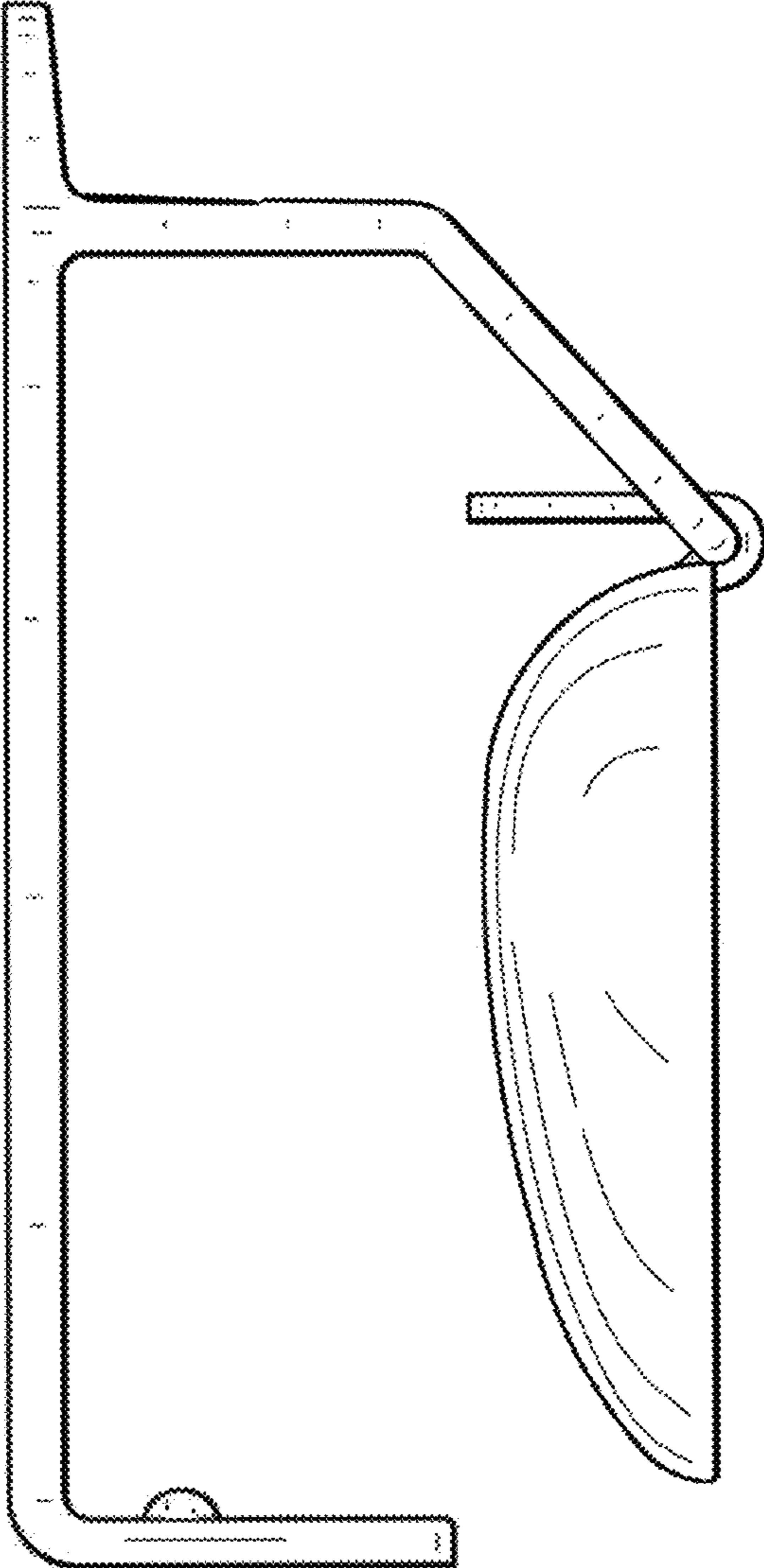


FIG. 1.6

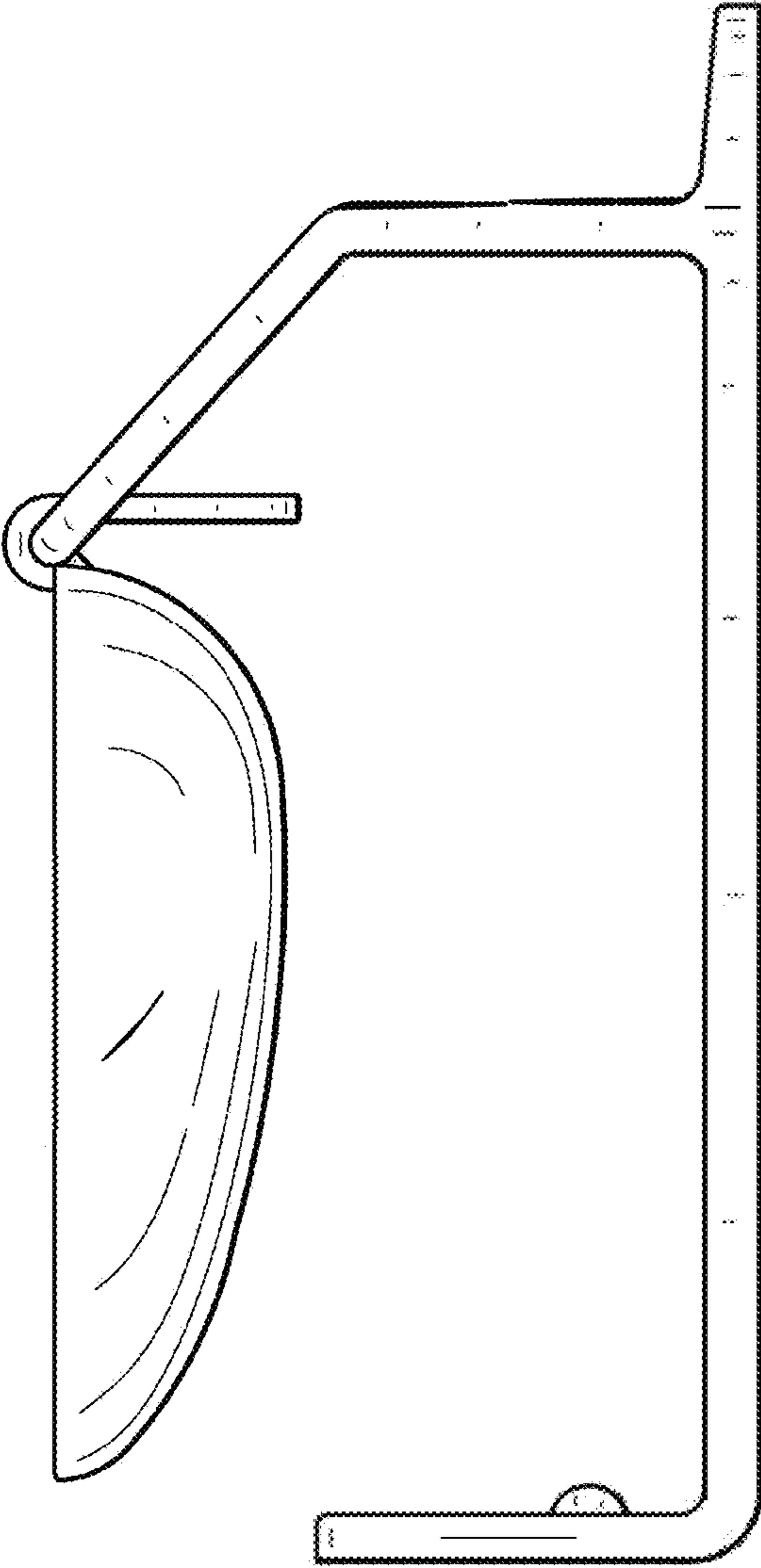
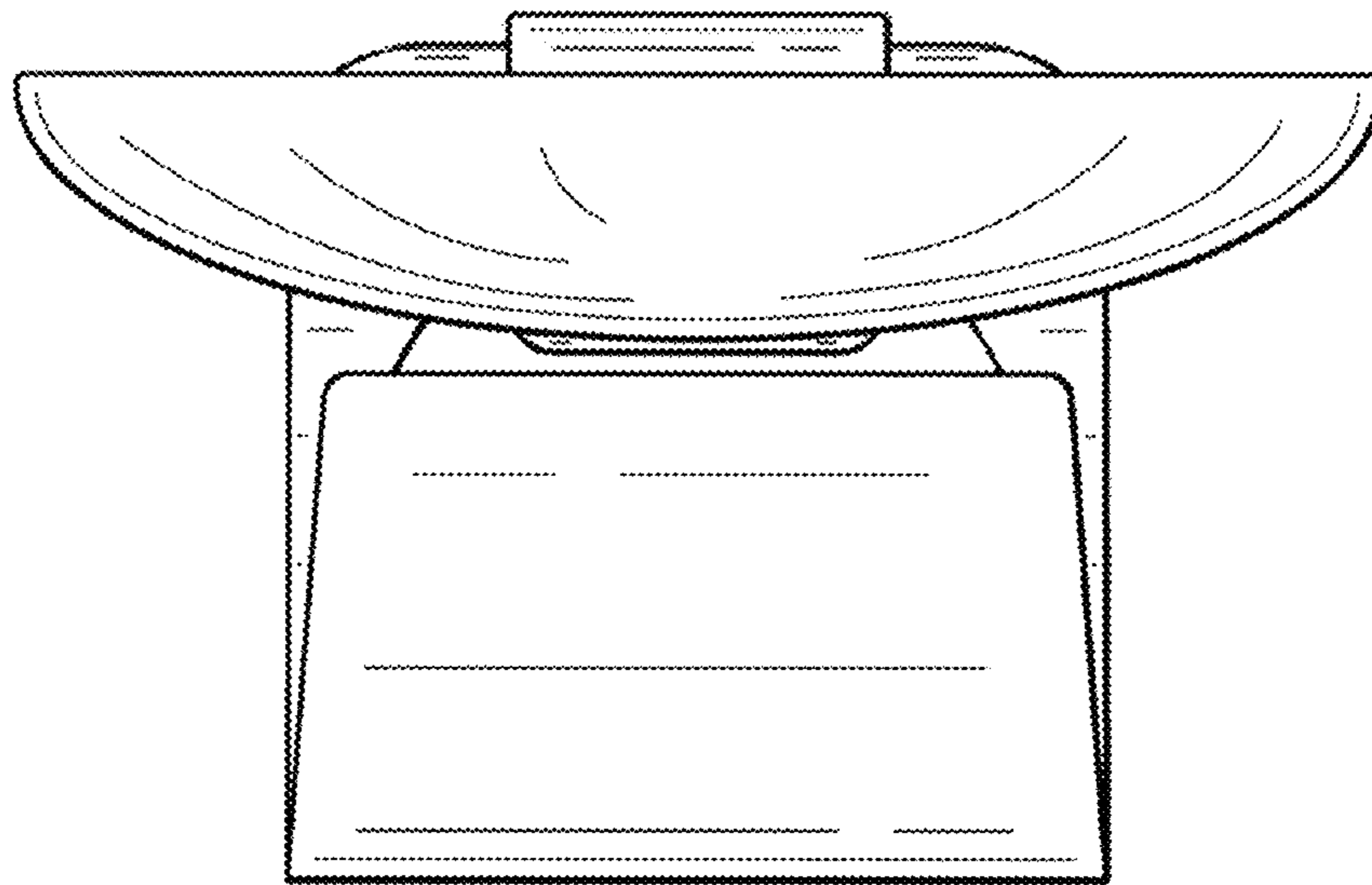


FIG. 1.7



UNITED STATES PATENT AND TRADEMARK OFFICE
CERTIFICATE OF CORRECTION

PATENT NO. : D945,182 S
APPLICATION NO. : 35/510533
DATED : March 8, 2022
INVENTOR(S) : Langlotz

Page 1 of 1

It is certified that error appears in the above-identified patent and that said Letters Patent is hereby corrected as shown below:

On the Title Page

Under item (12), "Schule" should read --Langlotz--

Item (72), Inventor:

Please change "Sandra Schuele, Hamburg (DE)" to --Christian Langlotz, Hamburg (DE)--

Signed and Sealed this
Eighteenth Day of October, 2022



Katherine Kelly Vidal
Director of the United States Patent and Trademark Office