



US00D945181S

(12) **United States Design Patent** (10) **Patent No.:** **US D945,181 S**  
**Elliott** (45) **Date of Patent:** **\*\* Mar. 8, 2022**

(54) **HANG CADDY**  
(71) Applicant: **Kenney Manufacturing Company**,  
Warwick, RI (US)  
(72) Inventor: **Timothy Elliott**, Attleboro, MA (US)  
(73) Assignee: **Kenney Manufacturing Company**,  
Warwick, RI (US)

(\*\*) Term: **15 Years**

(21) Appl. No.: **29/753,268**

(22) Filed: **Sep. 30, 2020**

(51) **LOC (13) Cl.** ..... **06-04**

(52) **U.S. Cl.**  
USPC ..... **D6/525**

(58) **Field of Classification Search**  
USPC ..... D6/563, 564, 525, 513, 567, 553, 514,  
D6/570; D3/201, 304, 306, 310, 313,  
D3/318; 211/12, 13.1, 85.3, 85.9, 30, 32,  
211/85.31, 86.01, 87.01, 88.04, 90.03,  
211/94.02, 106, 106.1, 119.009  
CPC ..... A47K 3/281; A47K 5/03; A47K 10/08;  
A47K 5/04; A47K 5/02; A47K 3/286;  
A47K 17/00; A47K 2201/00; A47K  
3/001; A47K 5/00; A47K 5/18; A47K  
1/09; A47K 2201/025

See application file for complete search history.

(56) **References Cited**

**U.S. PATENT DOCUMENTS**

D278,288 S \* 4/1985 Talocci ..... D6/525  
4,573,591 A \* 3/1986 Chap ..... A47K 3/281  
211/113  
D292,256 S \* 10/1987 Chap ..... D6/525  
D298,990 S \* 12/1988 Chap ..... D6/525  
D309,225 S \* 7/1990 Scarbro ..... D6/525  
D310,457 S \* 9/1990 Heap ..... D6/525  
D382,750 S \* 8/1997 Andrus ..... D6/525  
D392,484 S \* 3/1998 Yemini ..... D6/525

D413,467 S \* 9/1999 Patel ..... D6/525  
D415,916 S \* 11/1999 Hofman ..... D6/525  
D632,515 S \* 2/2011 Cittadino ..... A47K 3/281  
D6/525  
D644,050 S \* 8/2011 Cittadino ..... D6/525  
D661,928 S \* 6/2012 Sedwick ..... D6/525

(Continued)

**OTHER PUBLICATIONS**

Frosted Hanging Shower Caddy. Kenney. (Online) 3 pgs. Available  
2021. [Retrieved Dec. 1, 2021] <https://www.biglots.com/product/frosted-hanging-shower-caddy/p810504132> (Year: 2021).\*

*Primary Examiner* — Marie D. Fast Horse

*Assistant Examiner* — Jennifer Sierra Yosinski

(74) *Attorney, Agent, or Firm* — Adler Pollock &  
Sheehan P.C

(57) **CLAIM**

The ornamental design for a hang caddy, as shown and  
described.

**DESCRIPTION**

FIG. 1 is a perspective view of a hang caddy according to my  
new design;

FIG. 2 is a front view of the embodiment illustrated in FIG.  
1;

FIG. 3 is a back view of the embodiment illustrated in FIG.  
1;

FIG. 4 is a side view of the embodiment illustrated in FIG.  
1;

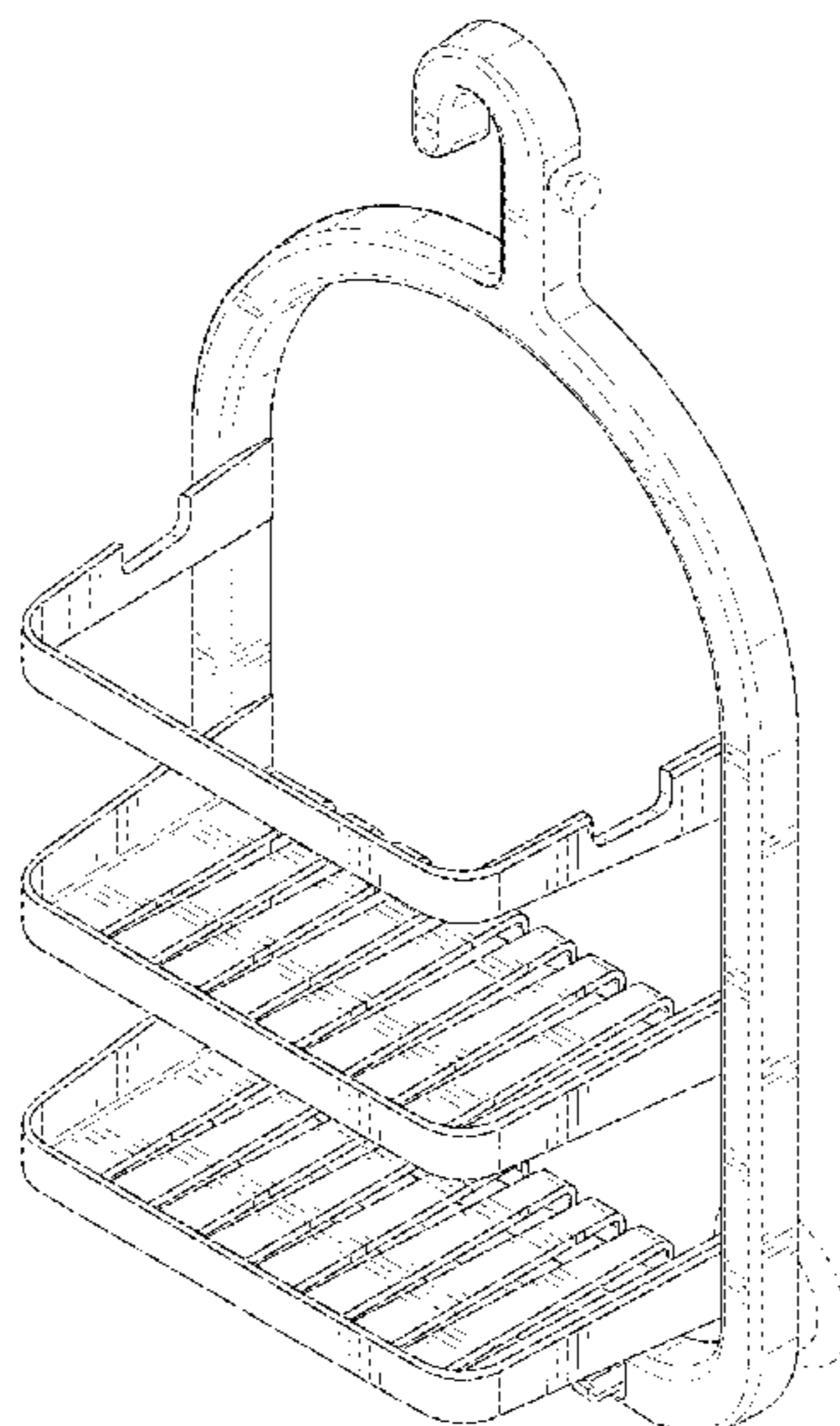
FIG. 5 is an opposite side view of the embodiment illustrated  
in FIG. 1;

FIG. 6 is a top view of the embodiment illustrated in FIG.  
1; and,

FIG. 7 is a bottom view of the embodiment illustrated in  
FIG. 1.

The broken lines shown in the drawings depict portions of  
the hang caddy that form no part of the claimed design.

**1 Claim, 7 Drawing Sheets**



(56)

**References Cited**

U.S. PATENT DOCUMENTS

D677,089 S \* 3/2013 Tawil ..... D6/525  
D875,424 S \* 2/2020 Chien ..... D6/525  
D895,319 S \* 9/2020 Stelmarski ..... D6/525  
2017/0360261 A1\* 12/2017 Coratolo ..... A47K 3/281

\* cited by examiner

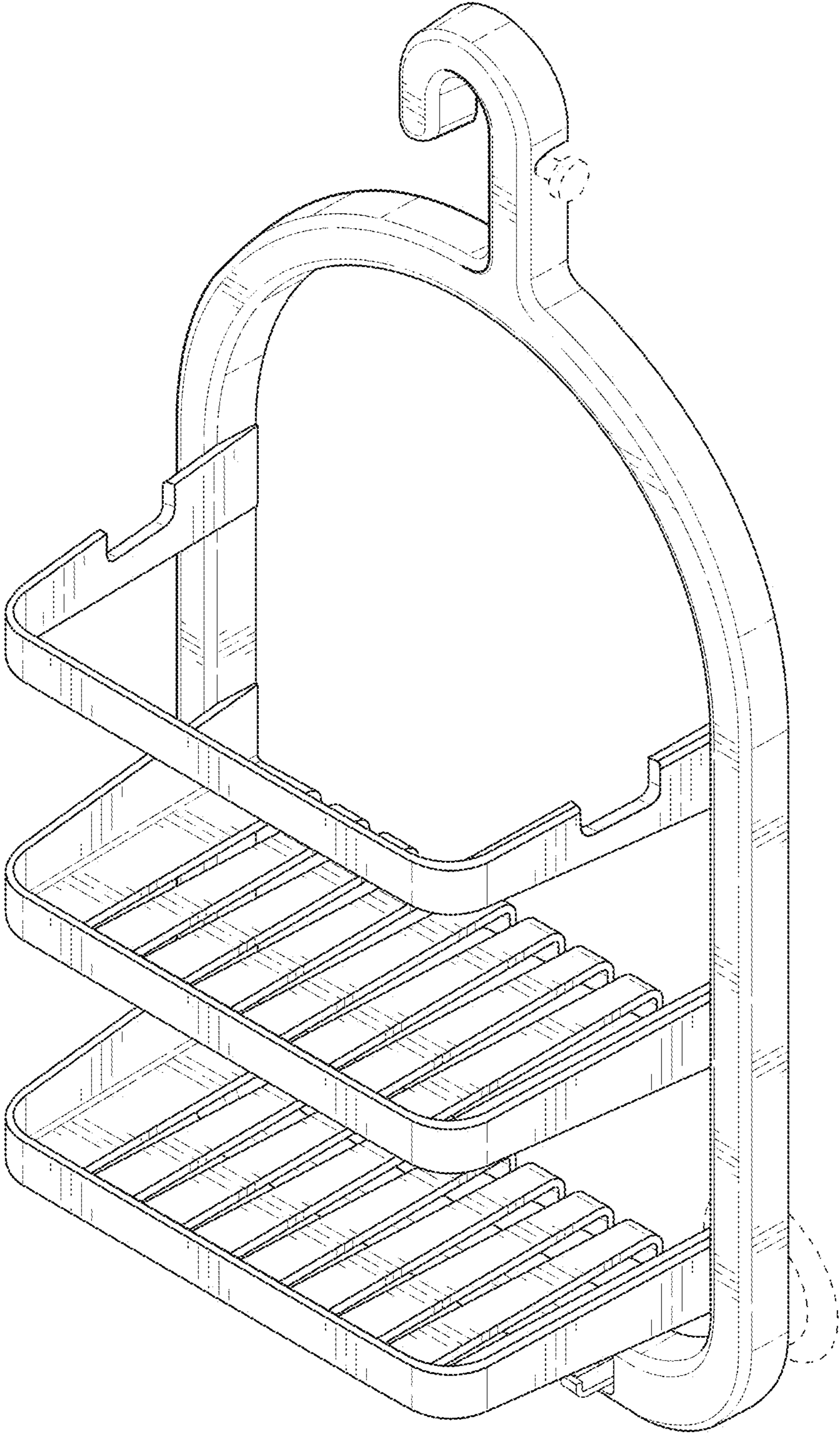


FIG. 1

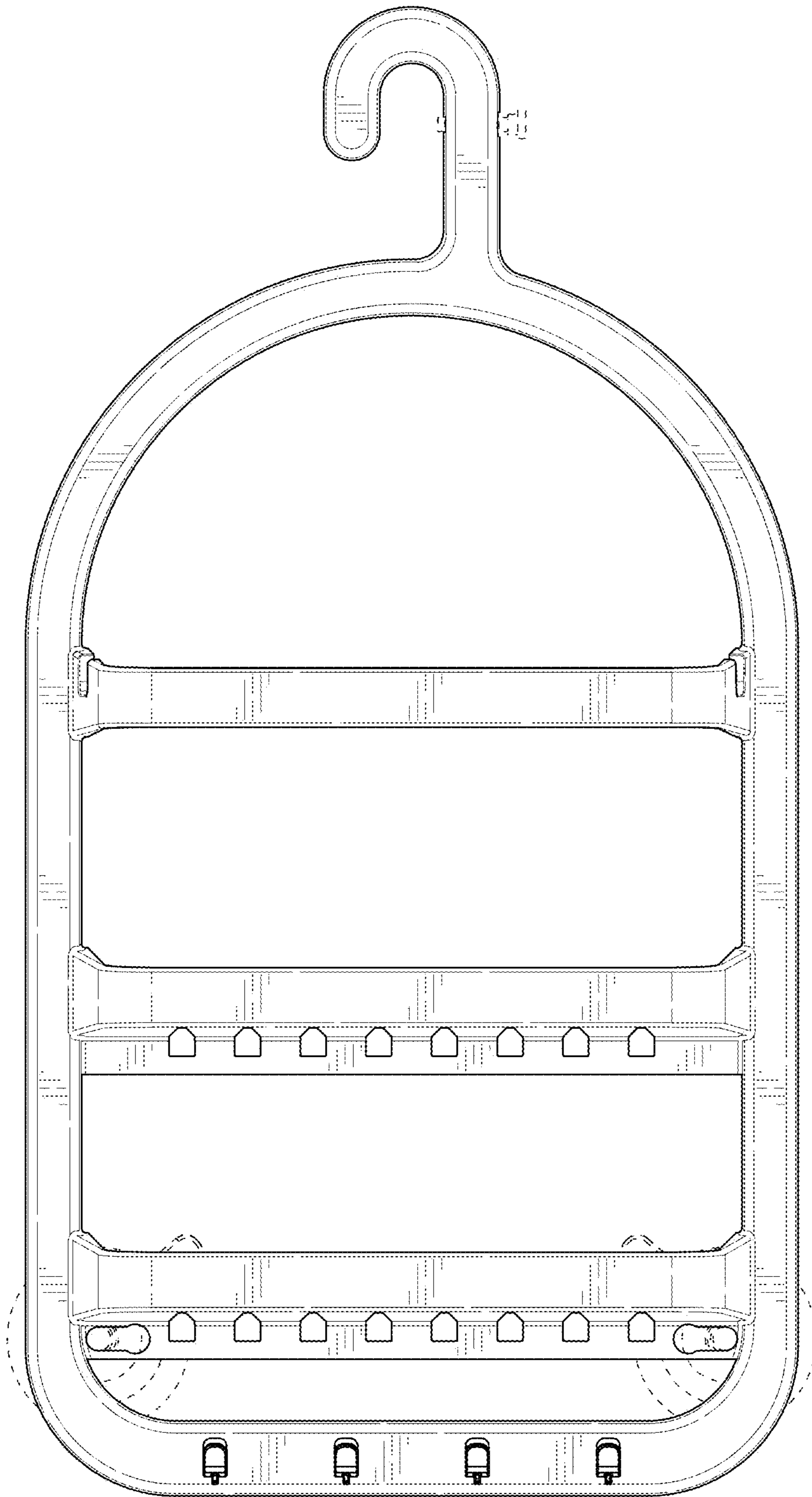


FIG. 2

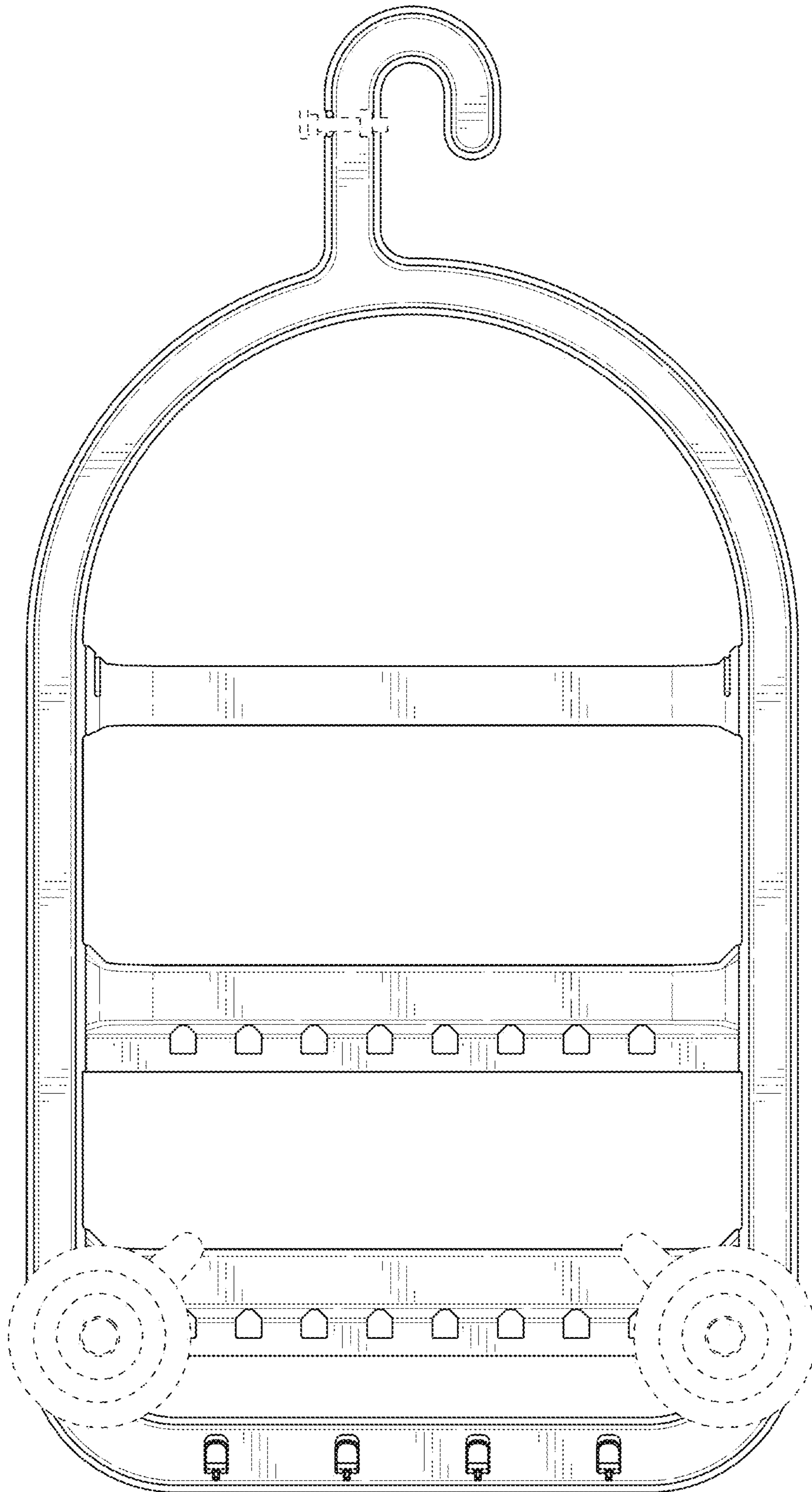


FIG. 3

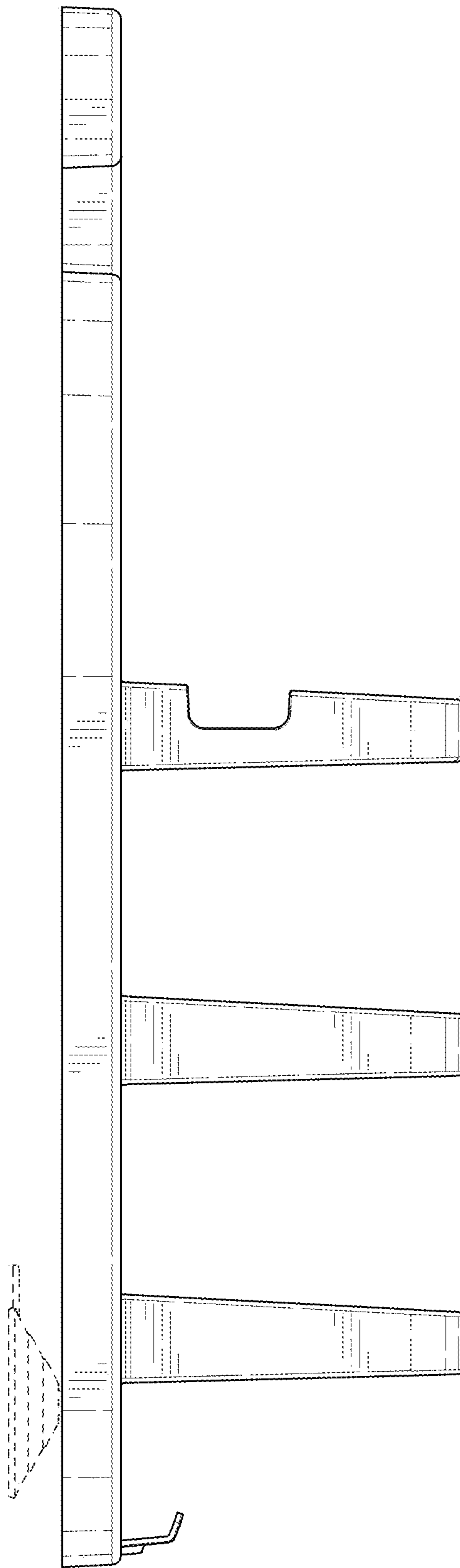


FIG. 4

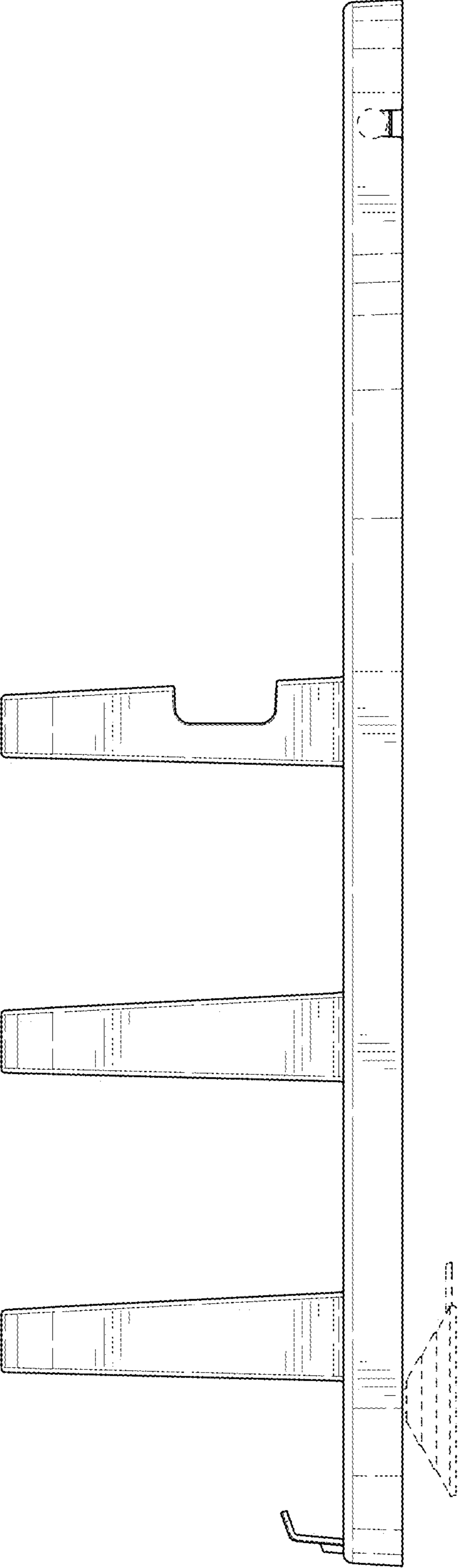


FIG. 5

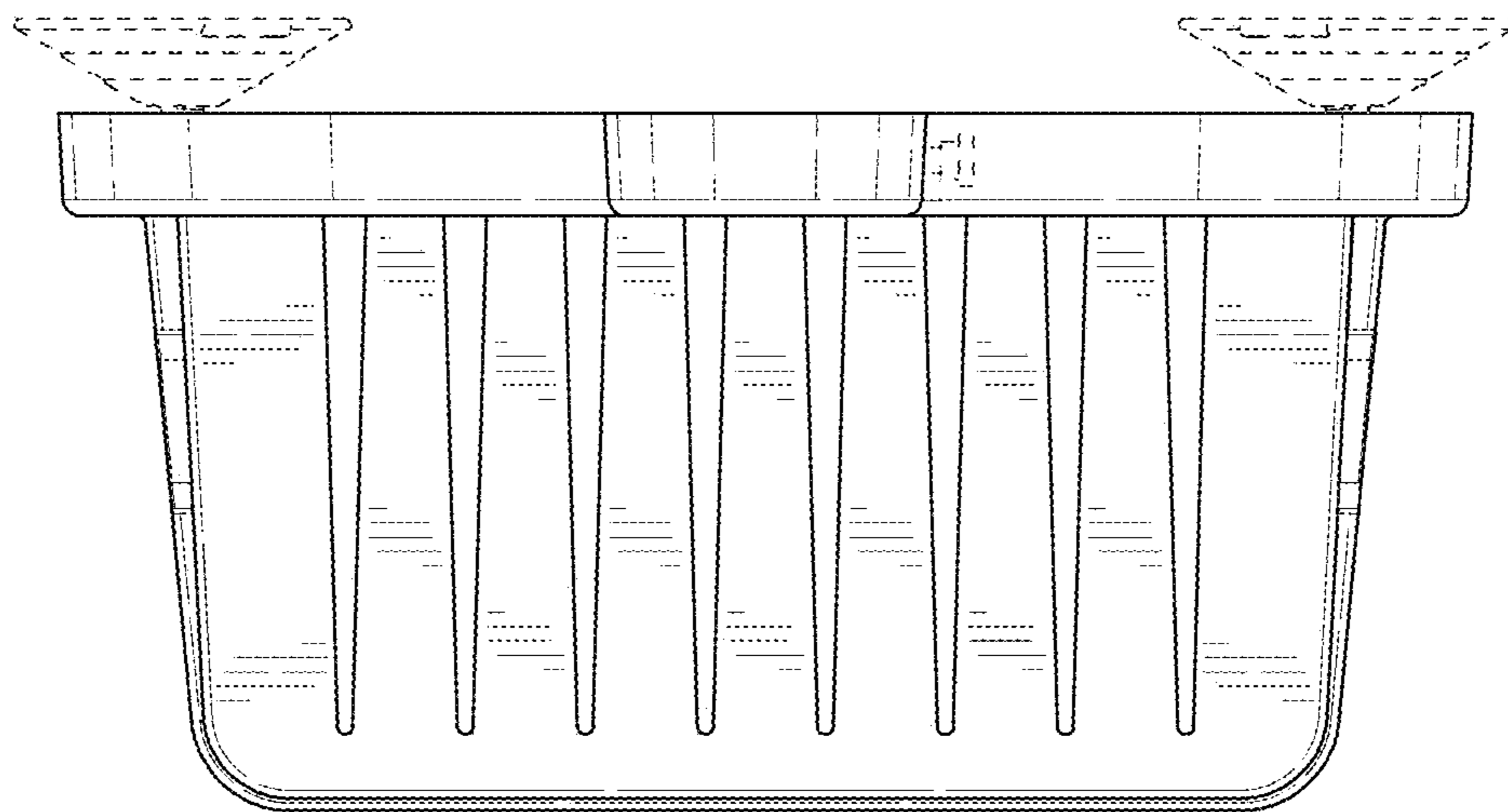


FIG. 6



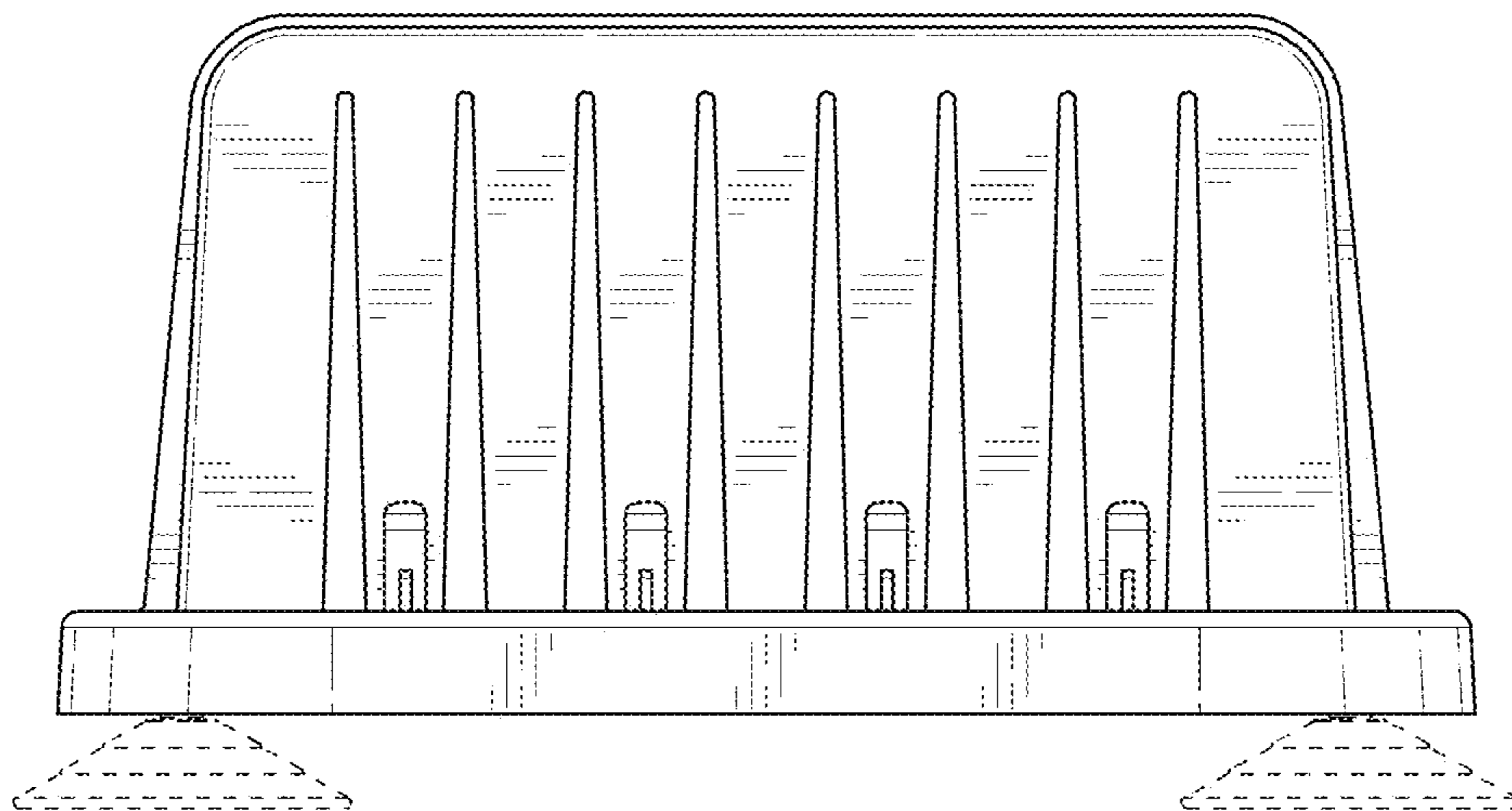


FIG. 7