



US00D945176S

(12) **United States Design Patent**
Ingels

(10) **Patent No.:** **US D945,176 S**

(45) **Date of Patent:** **** *Mar. 8, 2022**

(54) **LOUNGE CHAIR**

(71) Applicant: **Skagerak Denmark A/S**, Aalborg (DK)

(72) Inventor: **Bjarke Ingels**, Valby (DK)

(73) Assignee: **Skagerak Denmark A/S**, Aalborg (DK)

(*) Notice: This patent is subject to a terminal disclaimer.

(**) Term: **15 Years**

(21) Appl. No.: **29/733,436**

(22) Filed: **May 1, 2020**

(30) **Foreign Application Priority Data**

Nov. 1, 2019 (EM) 007162615-0008

(51) **LOC (13) Cl.** **06-01**

(52) **U.S. Cl.**
USPC **D6/370**

(58) **Field of Classification Search**

USPC D6/334, 364, 365, 366, 370, 371, 374,
D6/379, 380, 716.1, 716.4

CPC A47C 3/00; A47C 3/04; A47C 3/12; A47C
3/18; A47C 3/20; A47C 1/143; A47C
1/12; A47C 1/121; A47C 1/124; A47C
7/24; A47C 7/36; A47C 7/46; A47C 7/18;
A47C 7/40; A47C 7/54

See application file for complete search history.

(56) **References Cited**

U.S. PATENT DOCUMENTS

2,139,028 A * 12/1938 Mensendicck A47C 7/46
297/284.1

D280,474 S * 9/1985 Vanderminden D6/370

D288,994 S * 3/1987 Winters D6/370
D291,161 S * 8/1987 Hubert D6/370
D393,955 S * 5/1998 Piretti D6/373
D479,774 S * 9/2003 Wimberger D6/370
D779,224 S * 2/2017 Duvigneau D6/379
D825,214 S * 8/2018 Mila Sagnier D6/370
D854,346 S * 7/2019 Lawrence A47C 1/143
D6/370
D857,416 S * 8/2019 Tran D6/380
D863,805 S * 10/2019 Jones D6/374
D871,094 S * 12/2019 Coirier D6/370

* cited by examiner

Primary Examiner — R. Johnson

(74) *Attorney, Agent, or Firm* — Dykema Gossett PLLC

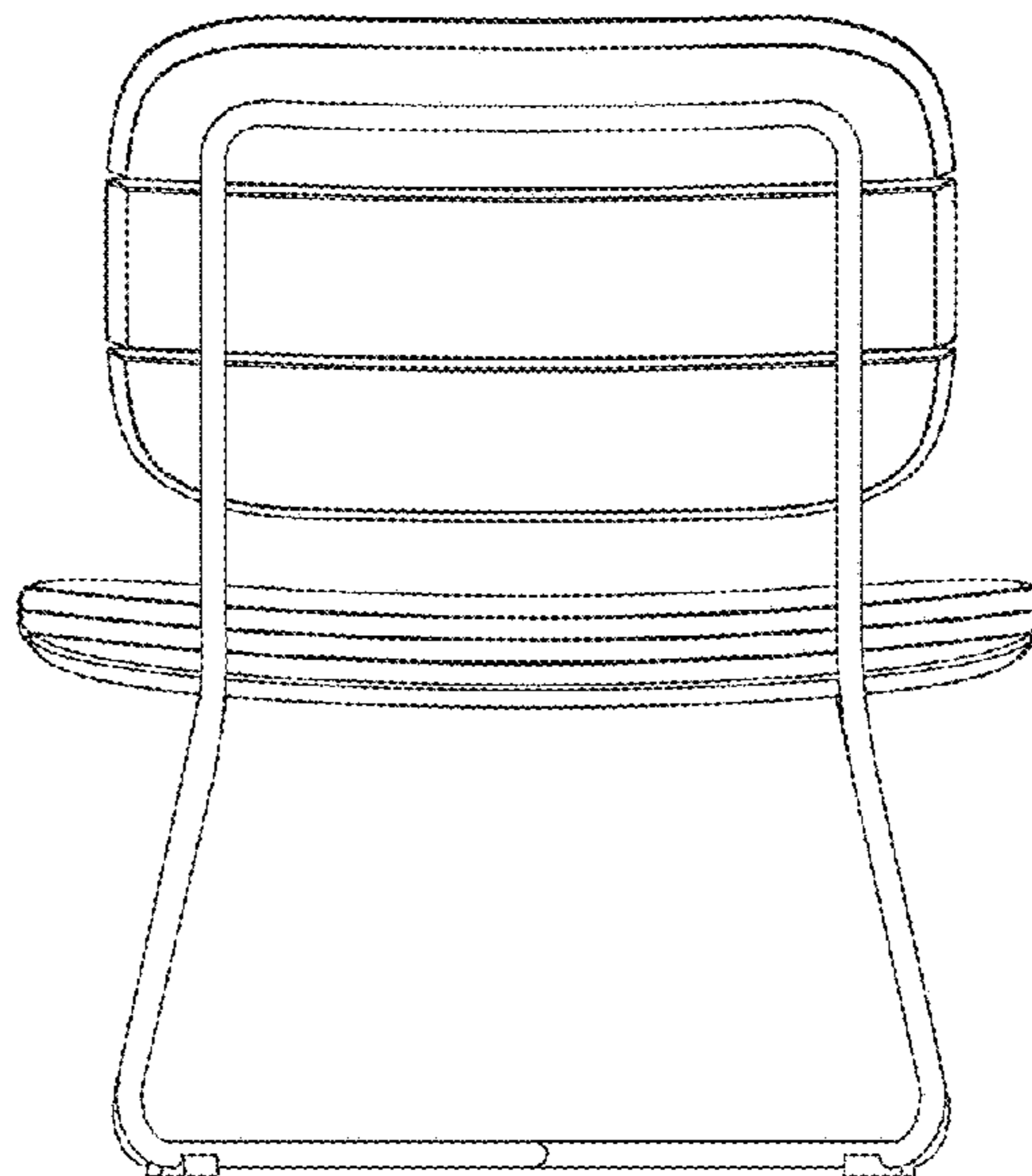
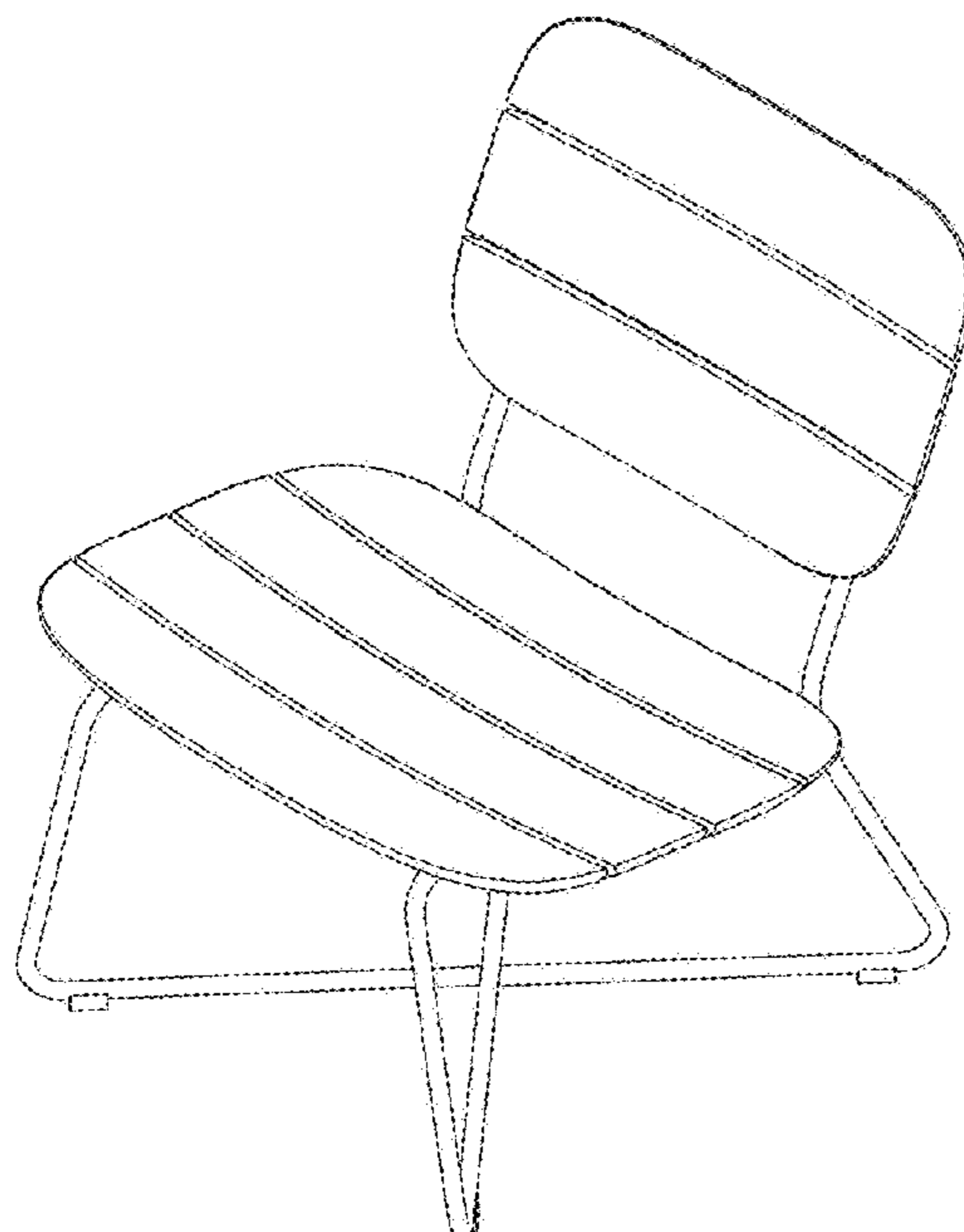
(57) **CLAIM**

The ornamental design for a lounge chair, as shown and described.

DESCRIPTION

FIG. 1 is a perspective side view of a lounge chair;
FIG. 2 is a bottom view of the lounge chair depicted in FIG. 1;
FIG. 3 is a back view of the lounge chair depicted in FIG. 1;
FIG. 4 is a right side elevation view of the lounge chair depicted in FIG. 1, the opposite side view being a mirror image thereof;
FIG. 5 is a front elevation view of the lounge chair depicted in FIG. 1;
FIG. 6 is top view of the lounge chair depicted in FIG. 1; and,
FIG. 7 is bottom perspective of the lounge chair depicted in FIG. 1.

1 Claim, 7 Drawing Sheets



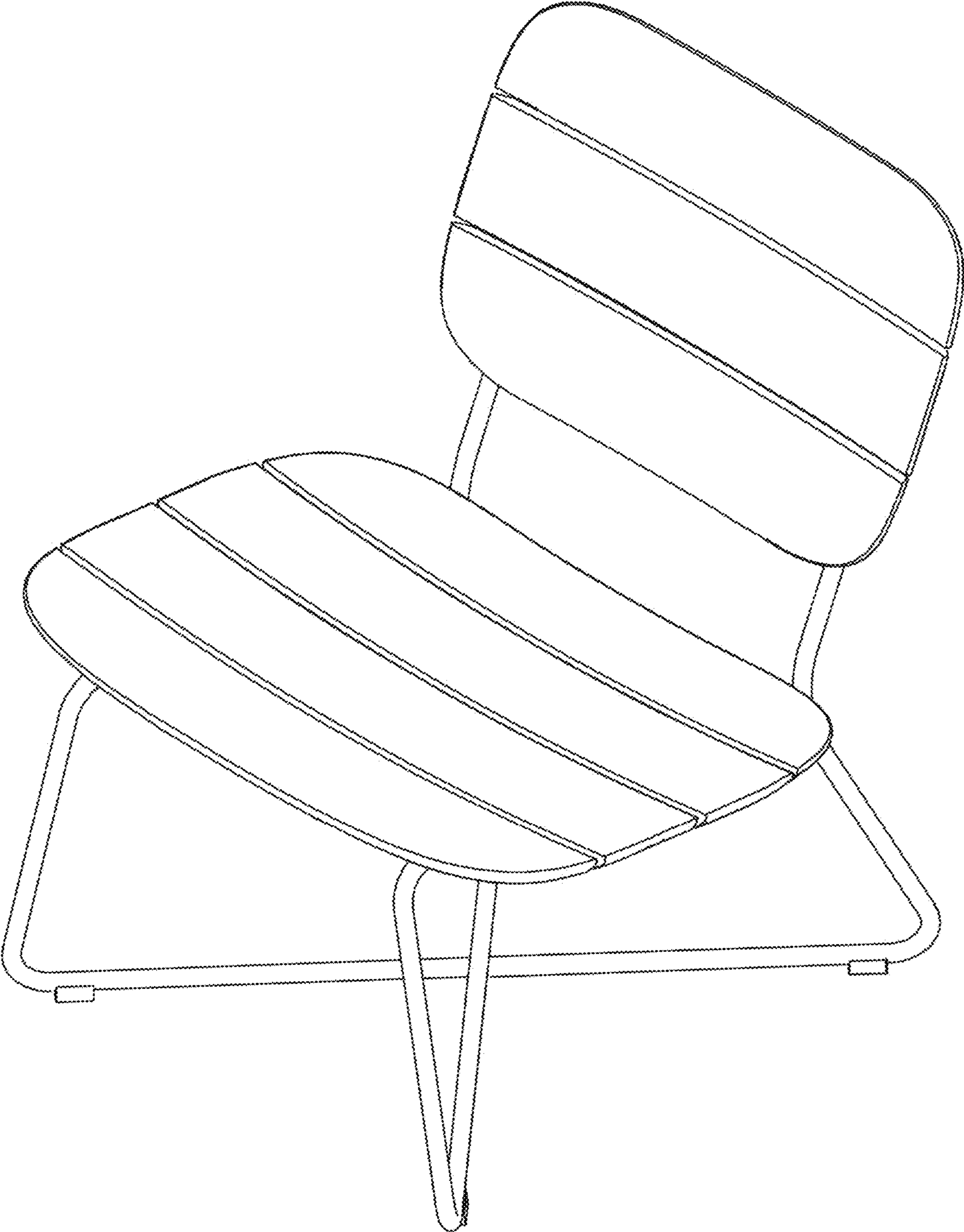


Fig. 1

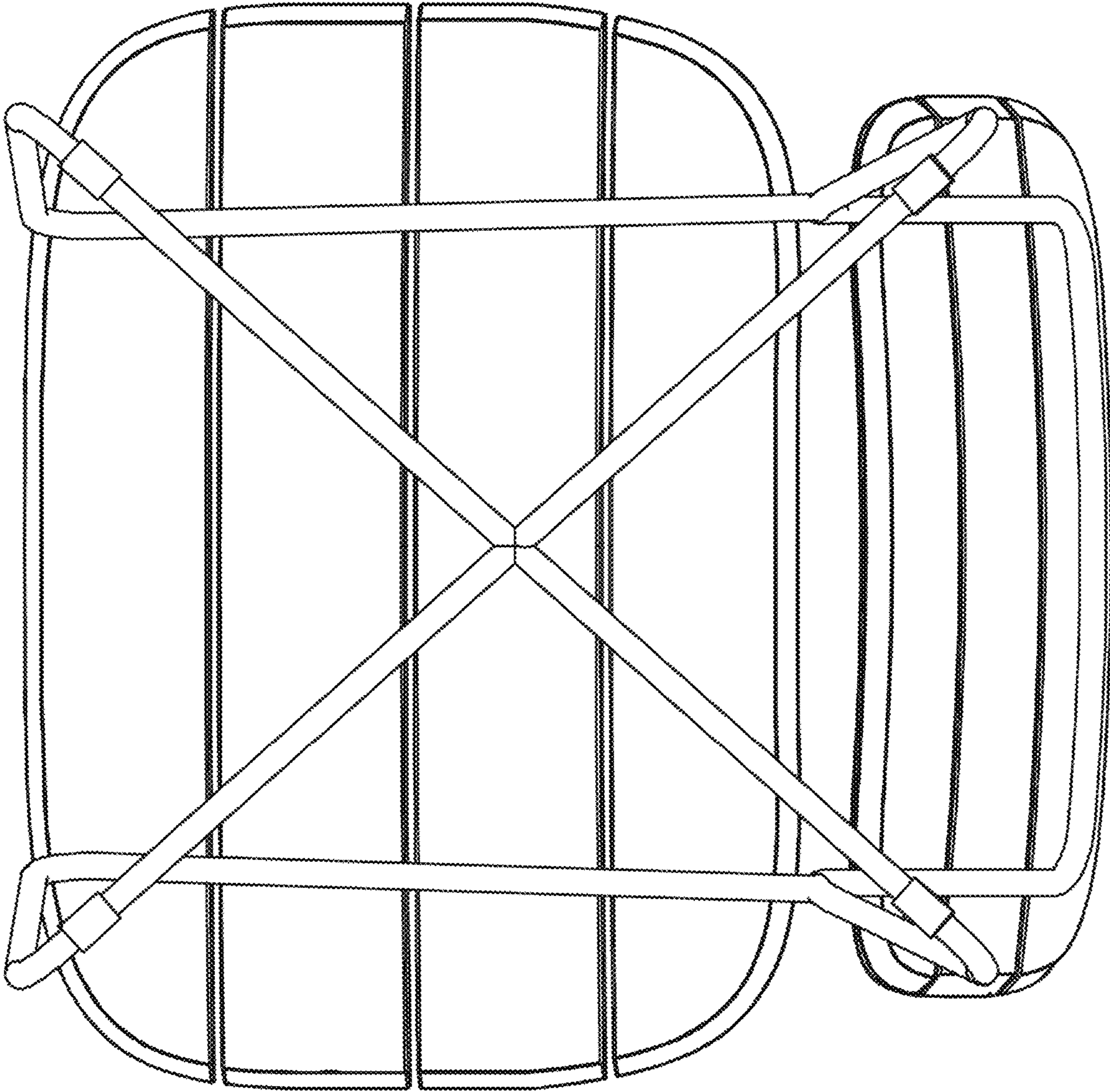


Fig. 2

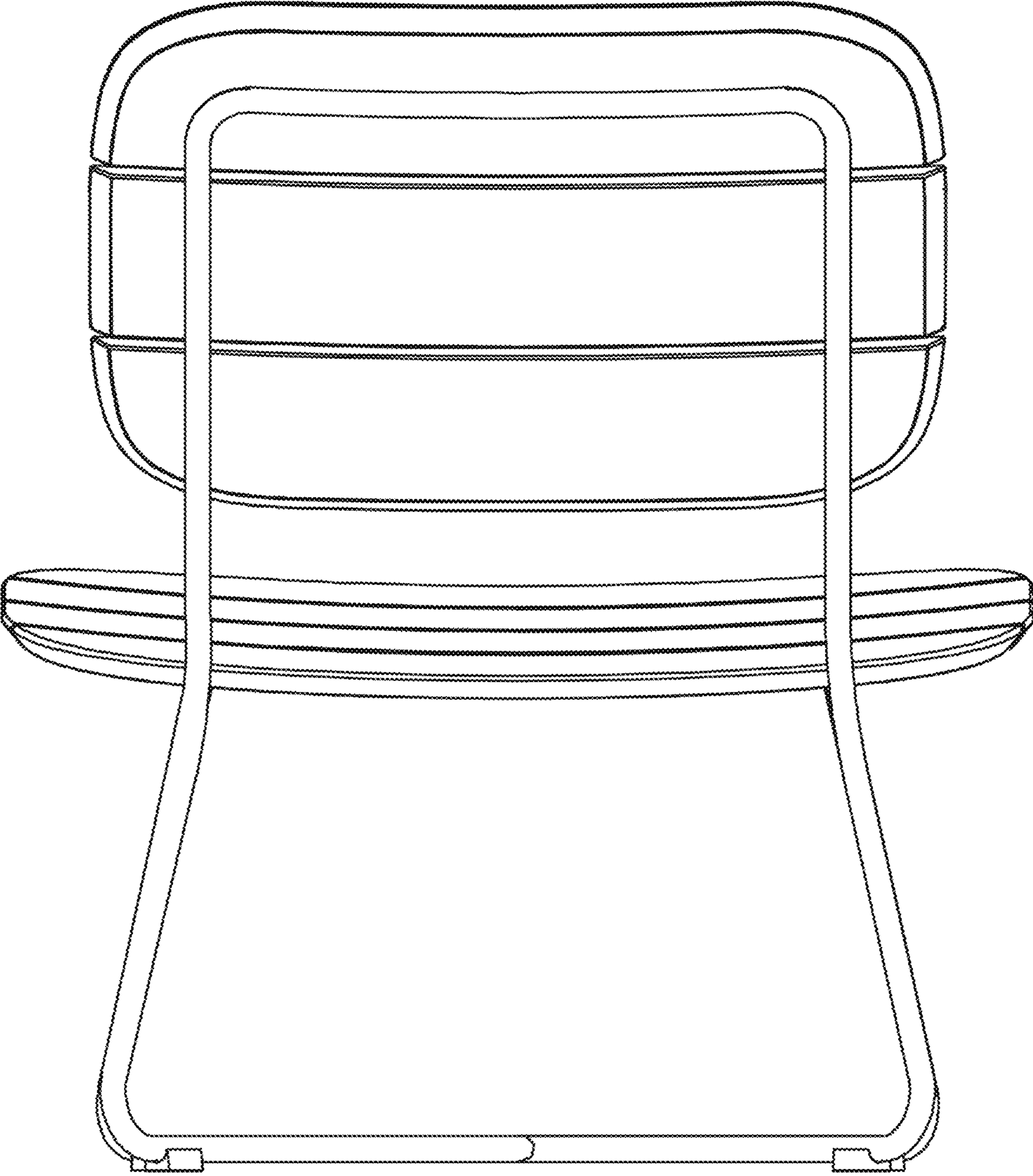


Fig. 3

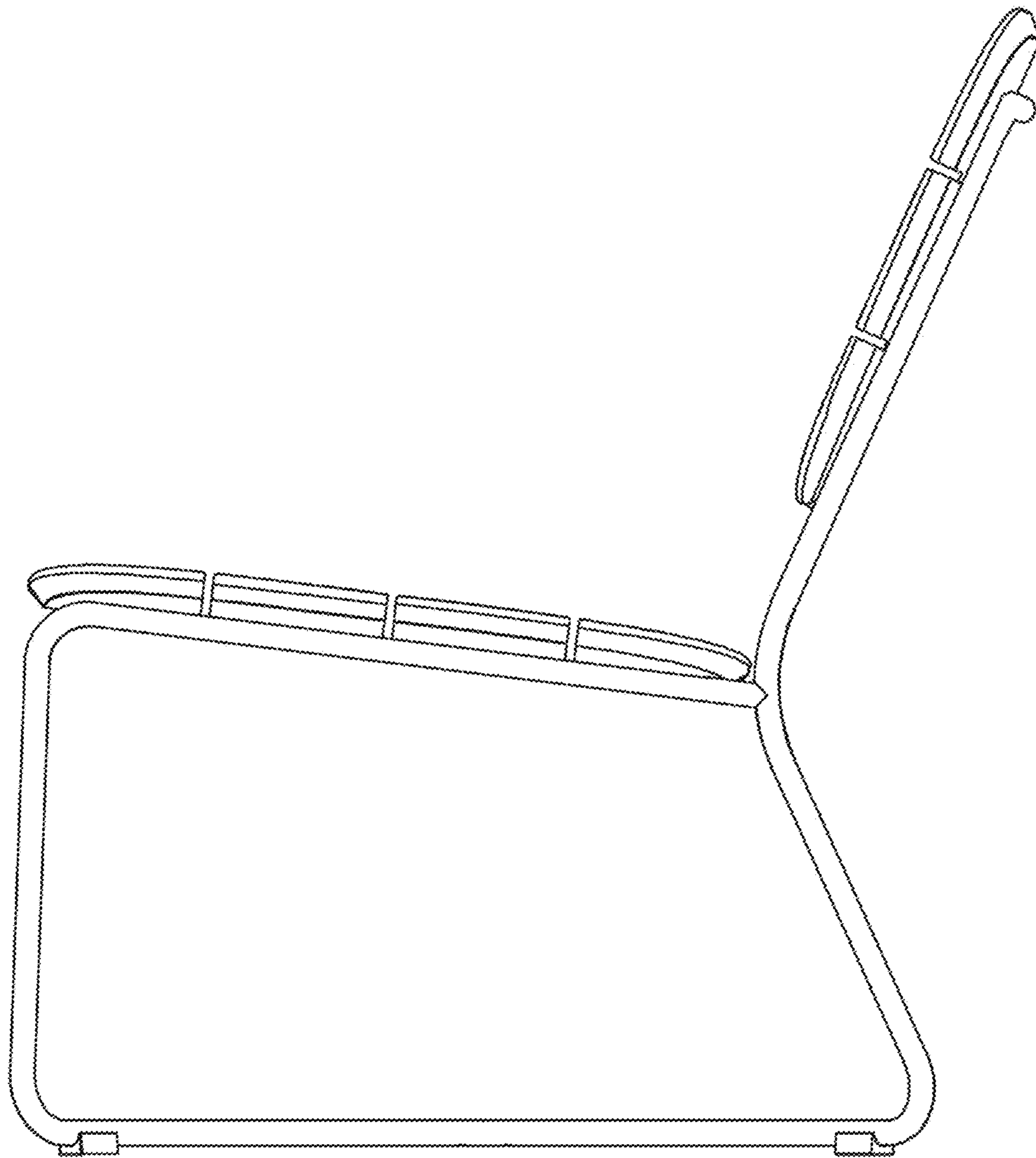


Fig. 4

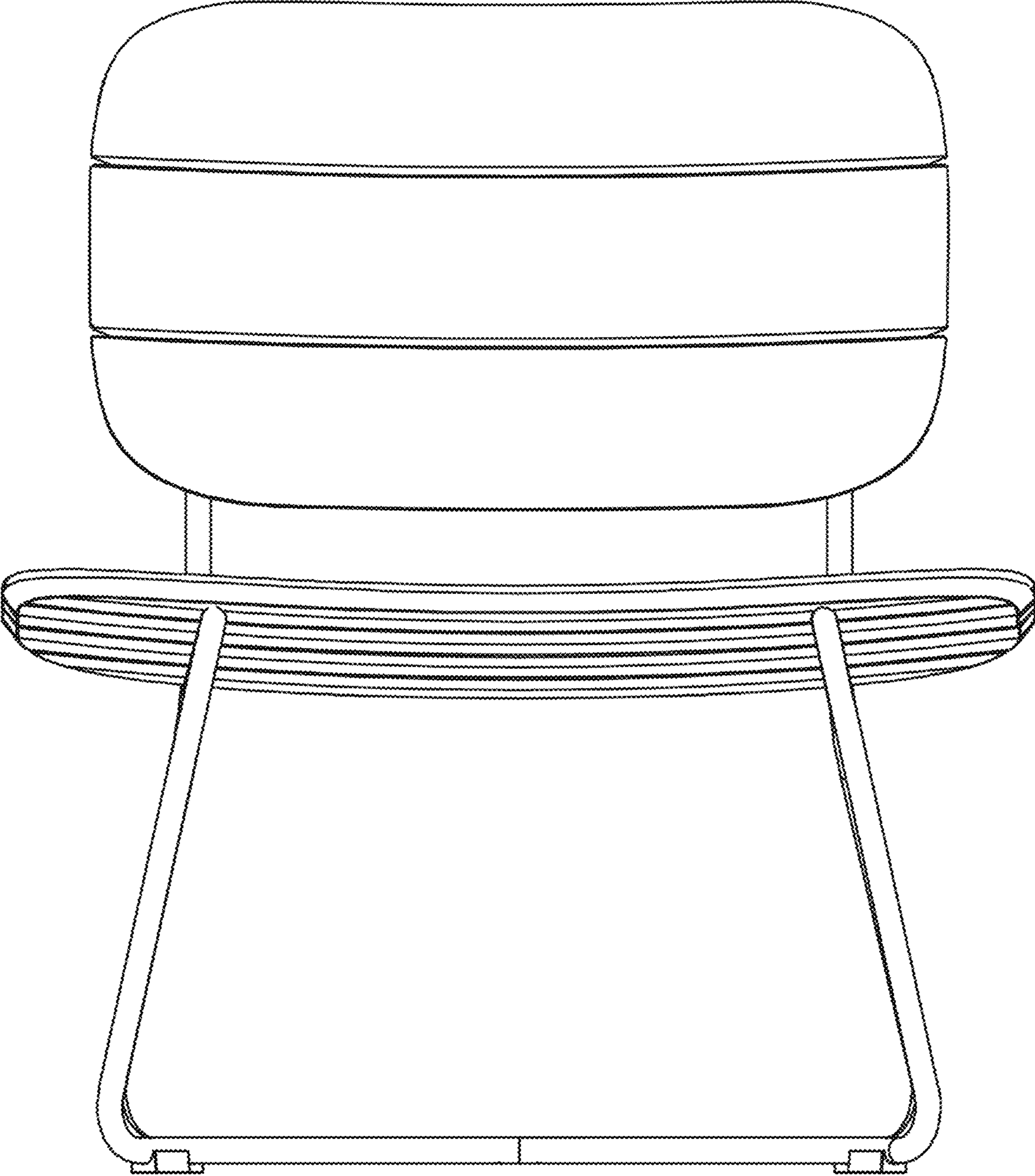


Fig. 5

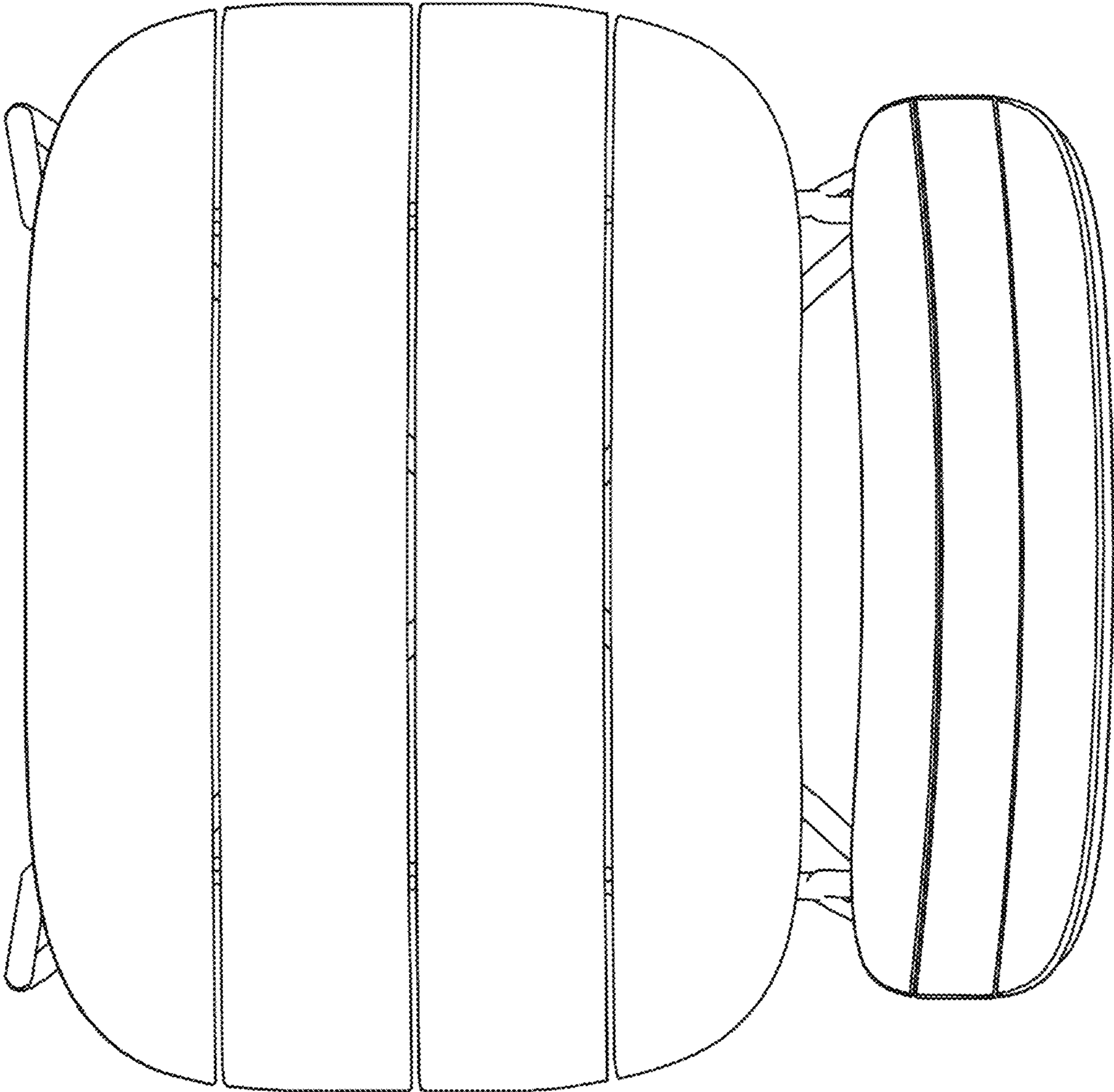


Fig. 6

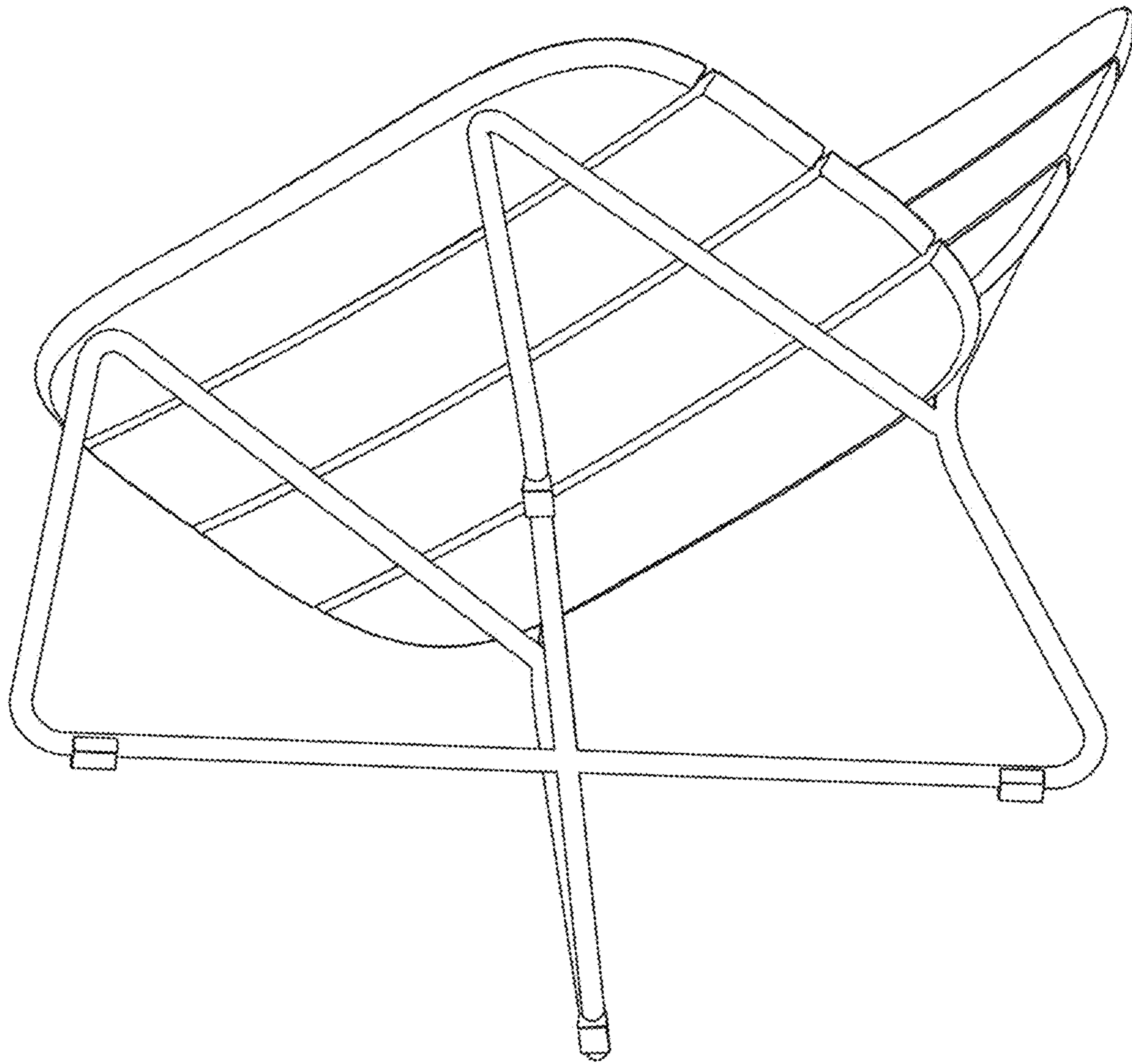


Fig. 7