



US00D945175S

(12) **United States Design Patent** (10) **Patent No.:** **US D945,175 S**
Rong (45) **Date of Patent:** **** Mar. 8, 2022**

(54) **HIGH CHAIR**

(71) Applicant: **Cixi Yiqin Children Products Co., LTD, Cixi (CN)**

(72) Inventor: **Senli Rong, Cixi (CN)**

(**) Term: **15 Years**

(21) Appl. No.: **29/760,124**

(22) Filed: **Nov. 30, 2020**

(51) **LOC (13) Cl.** **06-06**

(52) **U.S. Cl.**
USPC **D6/339**

(58) **Field of Classification Search**
USPC D6/333-336, 339, 344, 702, 716,
D6/716.1-716.7; 297/183.1-183.4,
297/184.13, 184.15, 184.17, 250.1, 255,
297/256.1, 256.15, 219.12, 463.1;
D12/129-130, 133; D21/412, 428, 419;
280/30-31; 5/94, 98.1, 99.1, 101-102,
5/105, 655, 93.1, 12.1; 24/200
CPC A47D 13/02; A47D 13/10; A47D 13/083;
A47D 1/00; A47D 1/002; A47D 1/004;
A47D 1/008; A47D 1/04; B60N 2/22;
B60N 2/24; B60N 2/2821; B60N 2/02;
B60N 2/10; B60N 2/16; B60N
2002/0212; B60N 2002/0216; B60N
2002/022; A47C 3/00; A47C 3/02; A47C
3/025; A47C 3/20

See application file for complete search history.

(56) **References Cited**

U.S. PATENT DOCUMENTS

D722,779 S * 2/2015 Gov D6/339
D901,914 S * 11/2020 Wanders D6/339
D912,412 S * 3/2021 Kittilsen D6/339

* cited by examiner

Primary Examiner — Abraham Bahta

(57) **CLAIM**

The ornamental design for a high chair, as shown and described.

DESCRIPTION

FIG. 1 is a perspective view of a high chair showing my new design;
FIG. 2 is a second perspective view thereof;
FIG. 3 is a front view thereof;
FIG. 4 is a back view thereof;
FIG. 5 is a left side view thereof;
FIG. 6 is a right side view thereof;
FIG. 7 is atop view thereof; and,
FIG. 8 is a bottom view thereof.

The broken lines shown in the drawings depict portions of the high chair in which the design is embodied that form no part of the claimed design.

1 Claim, 8 Drawing Sheets

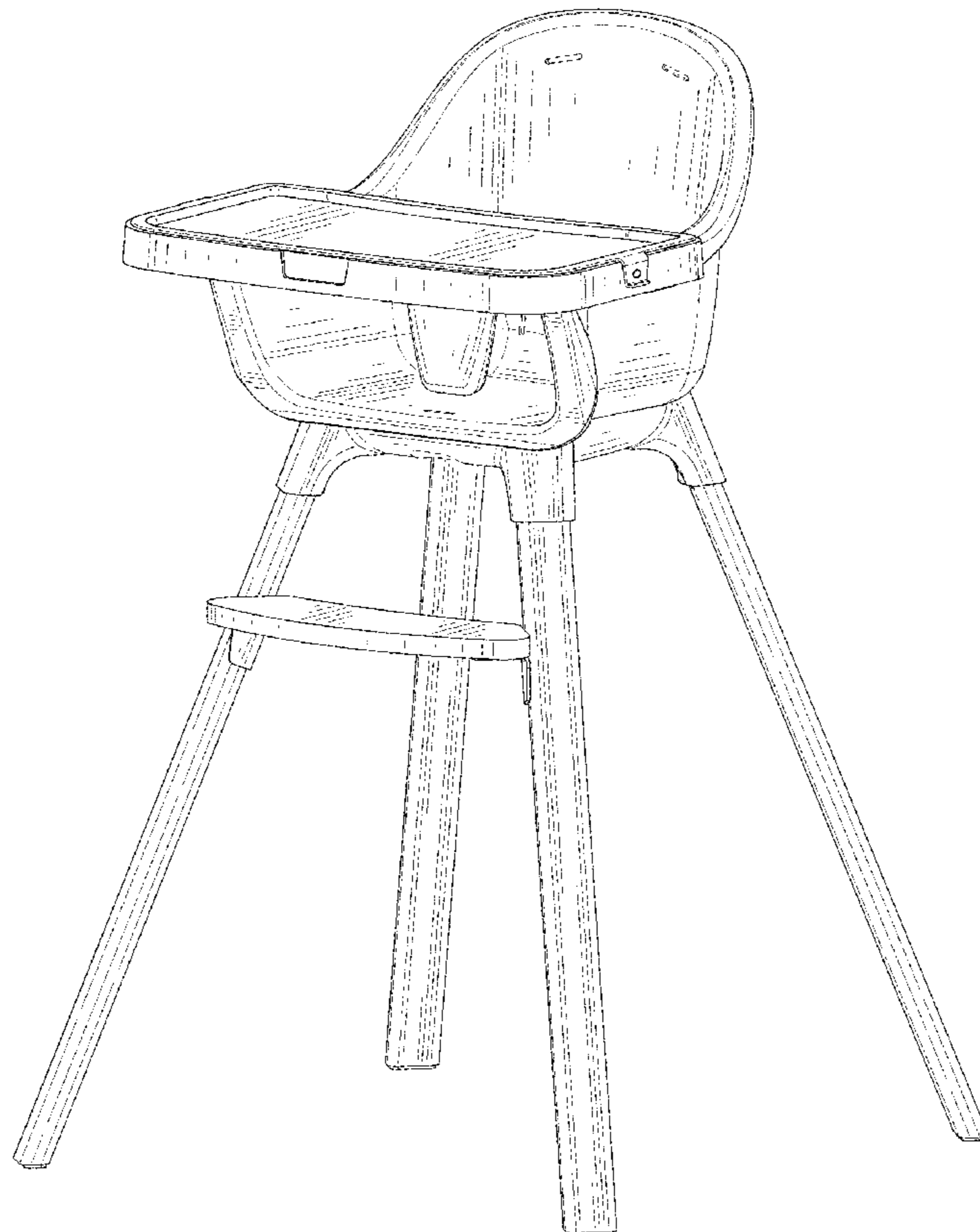




FIG. 1

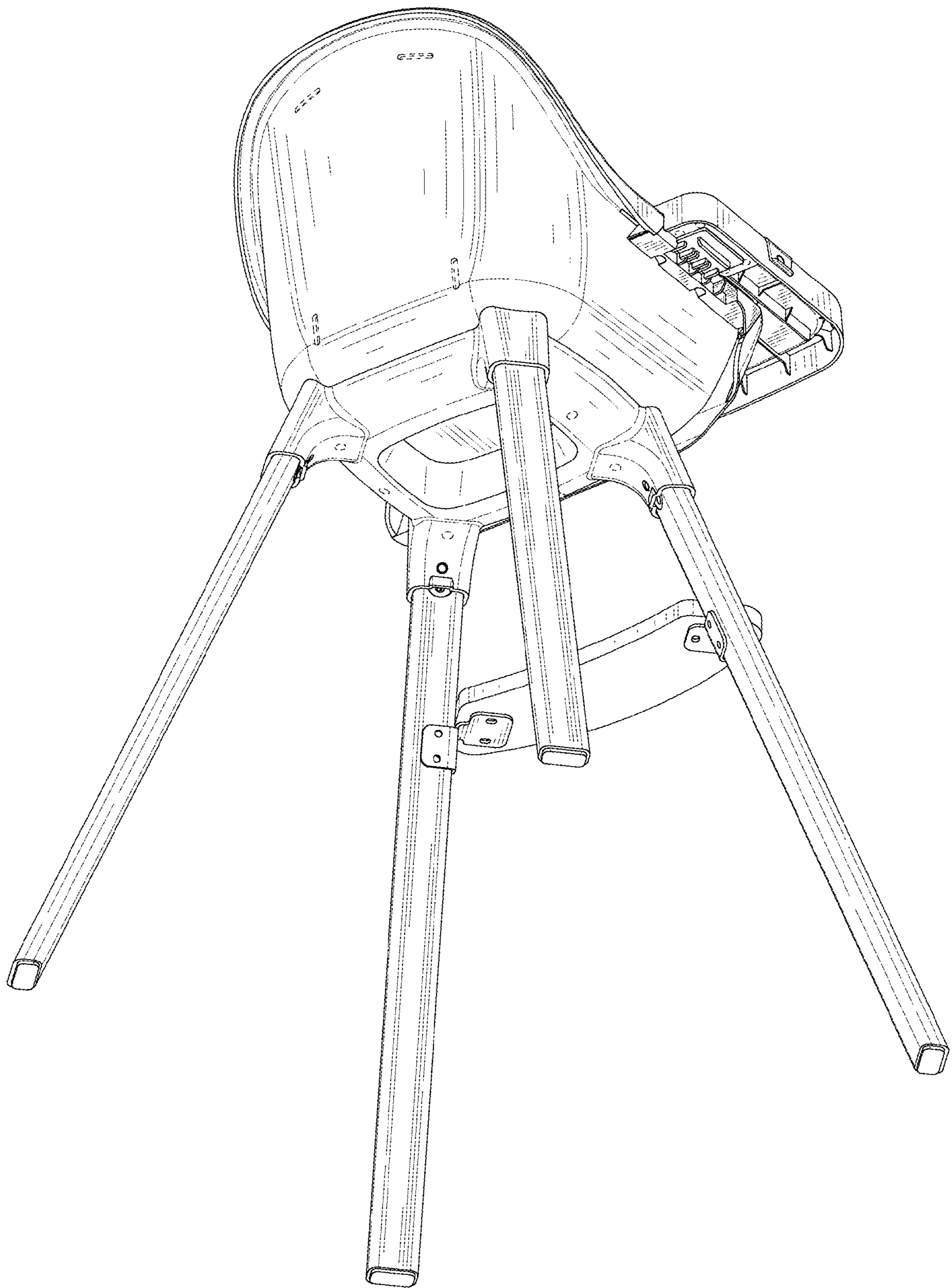


FIG. 2

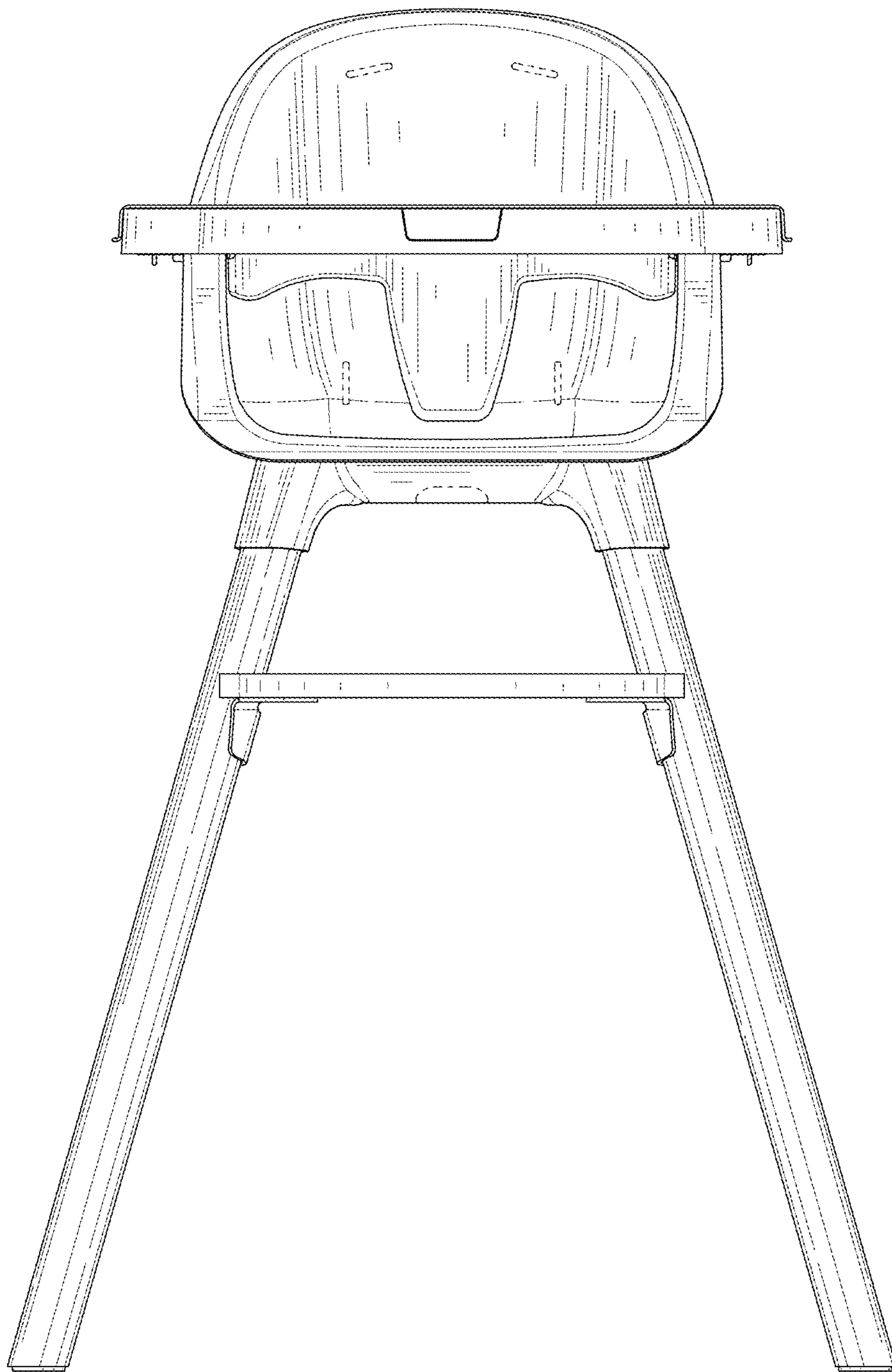


FIG. 3

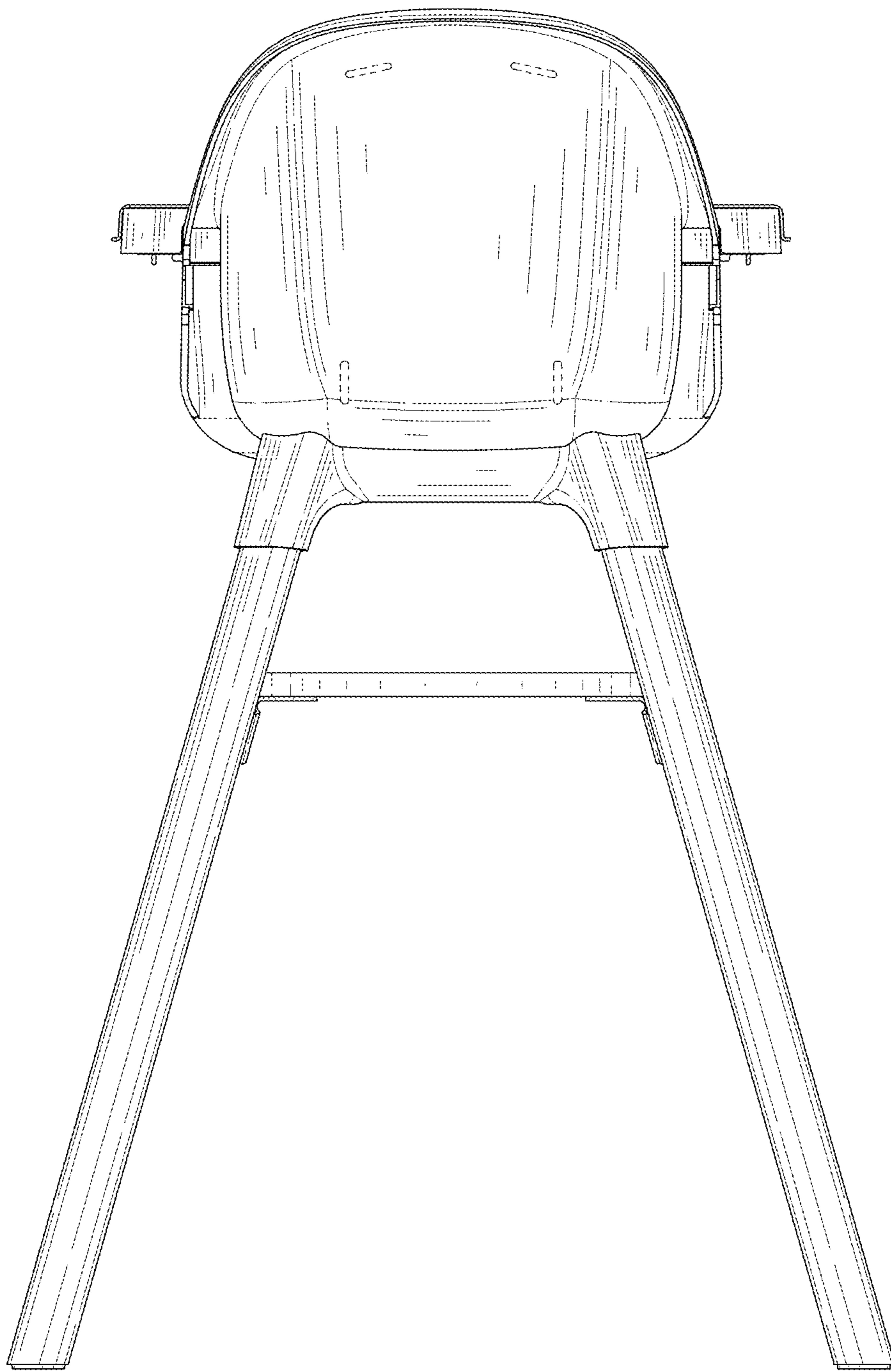


FIG. 4

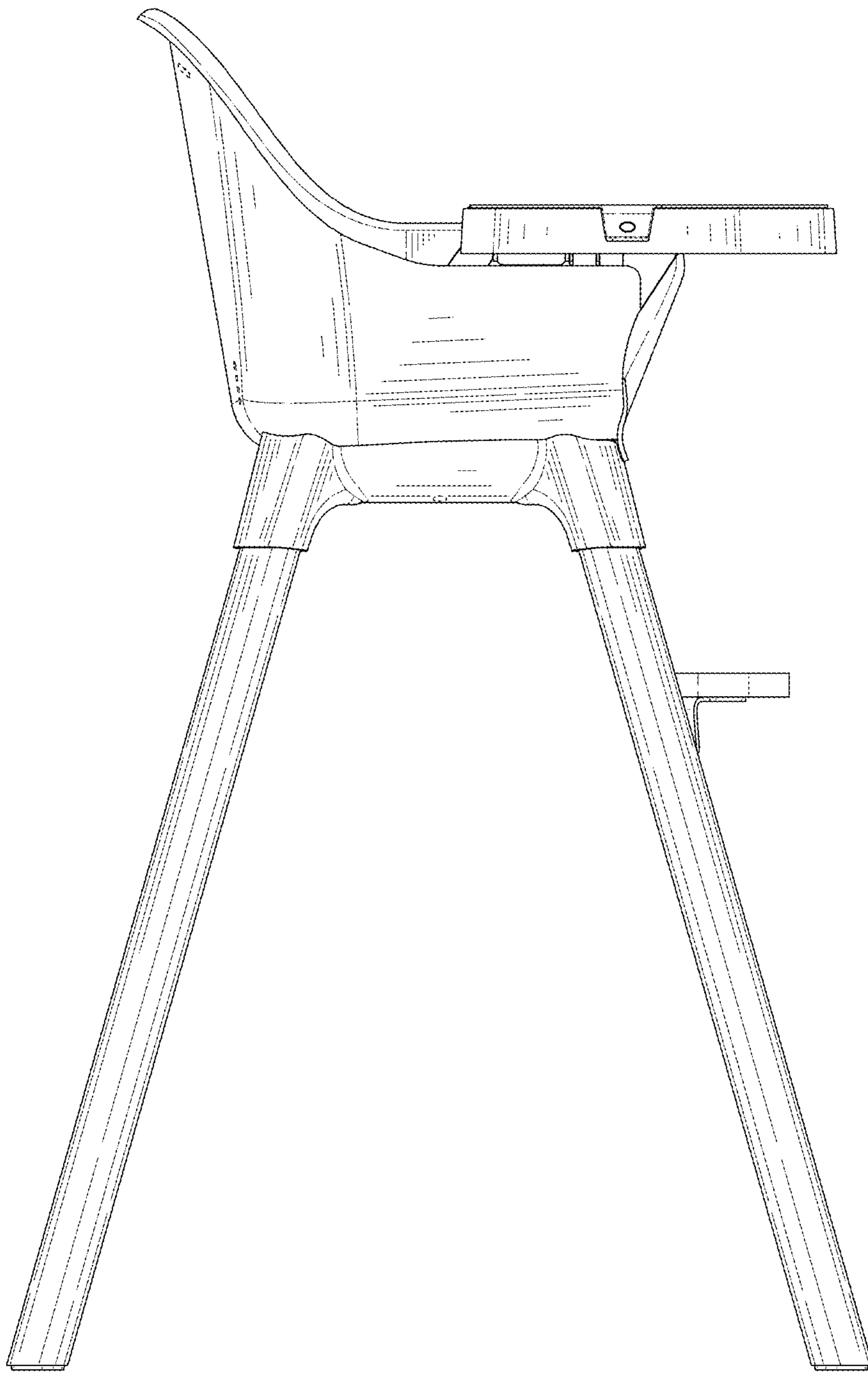


FIG. 5

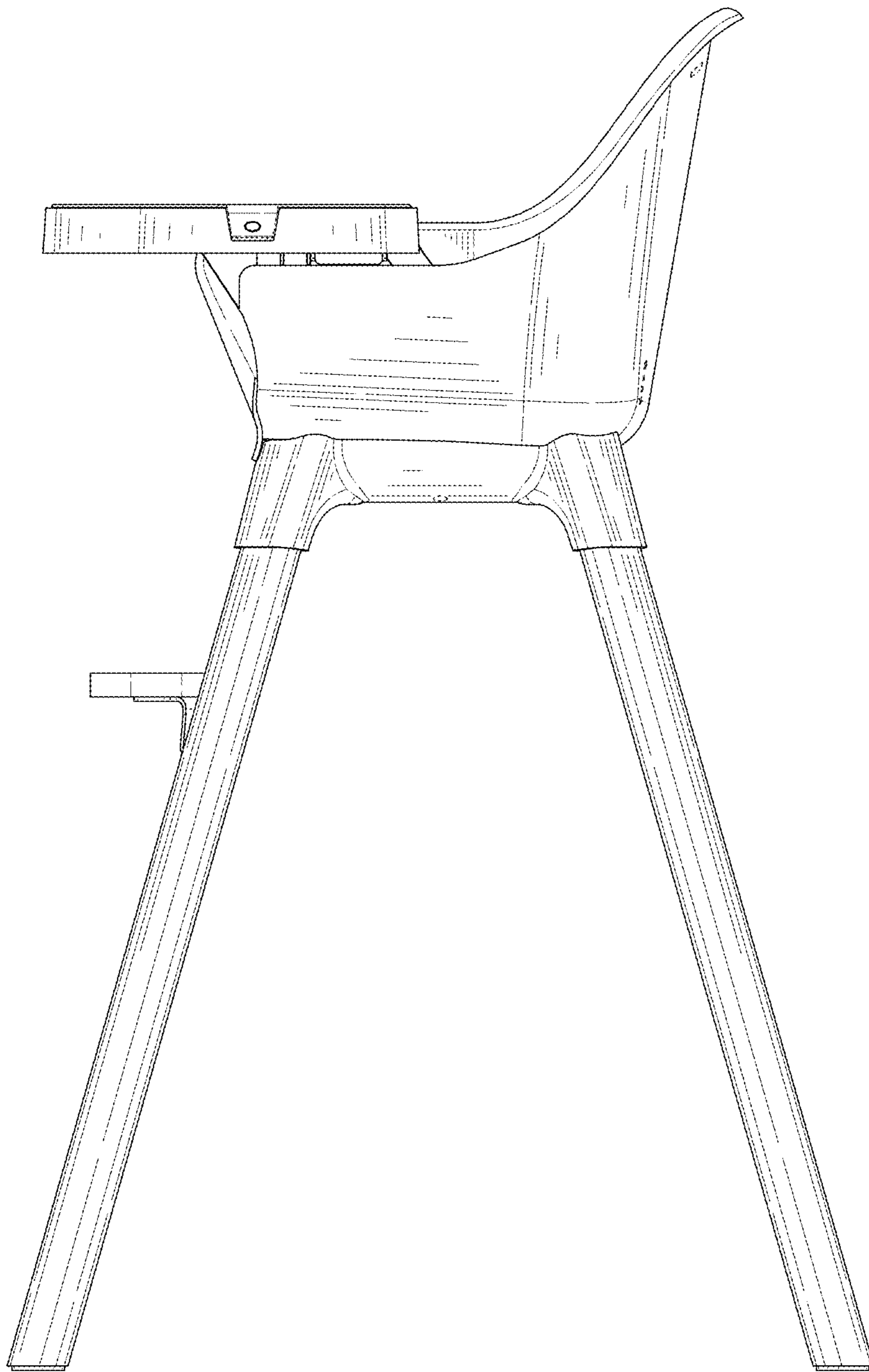


FIG. 6

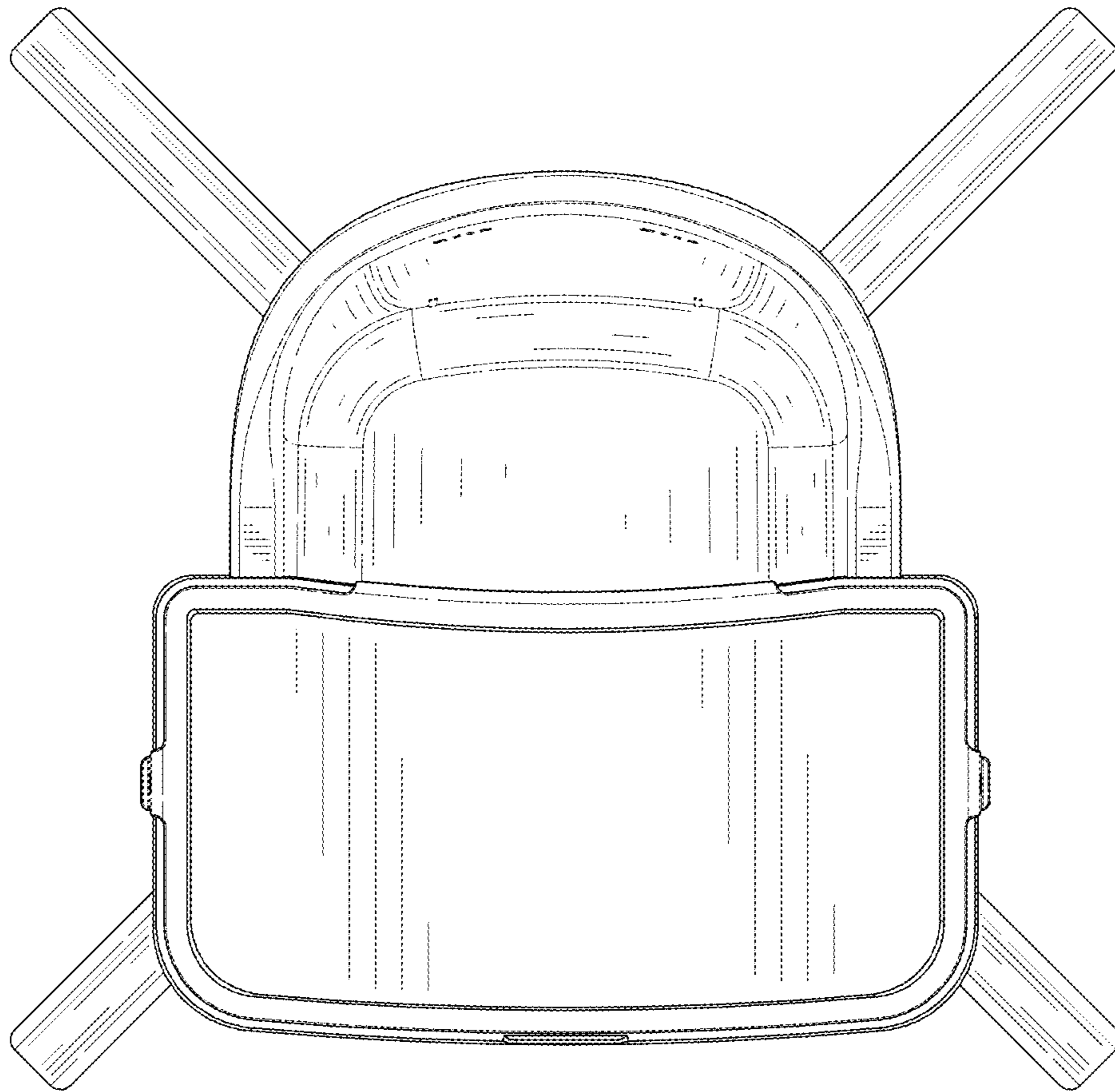


FIG. 7

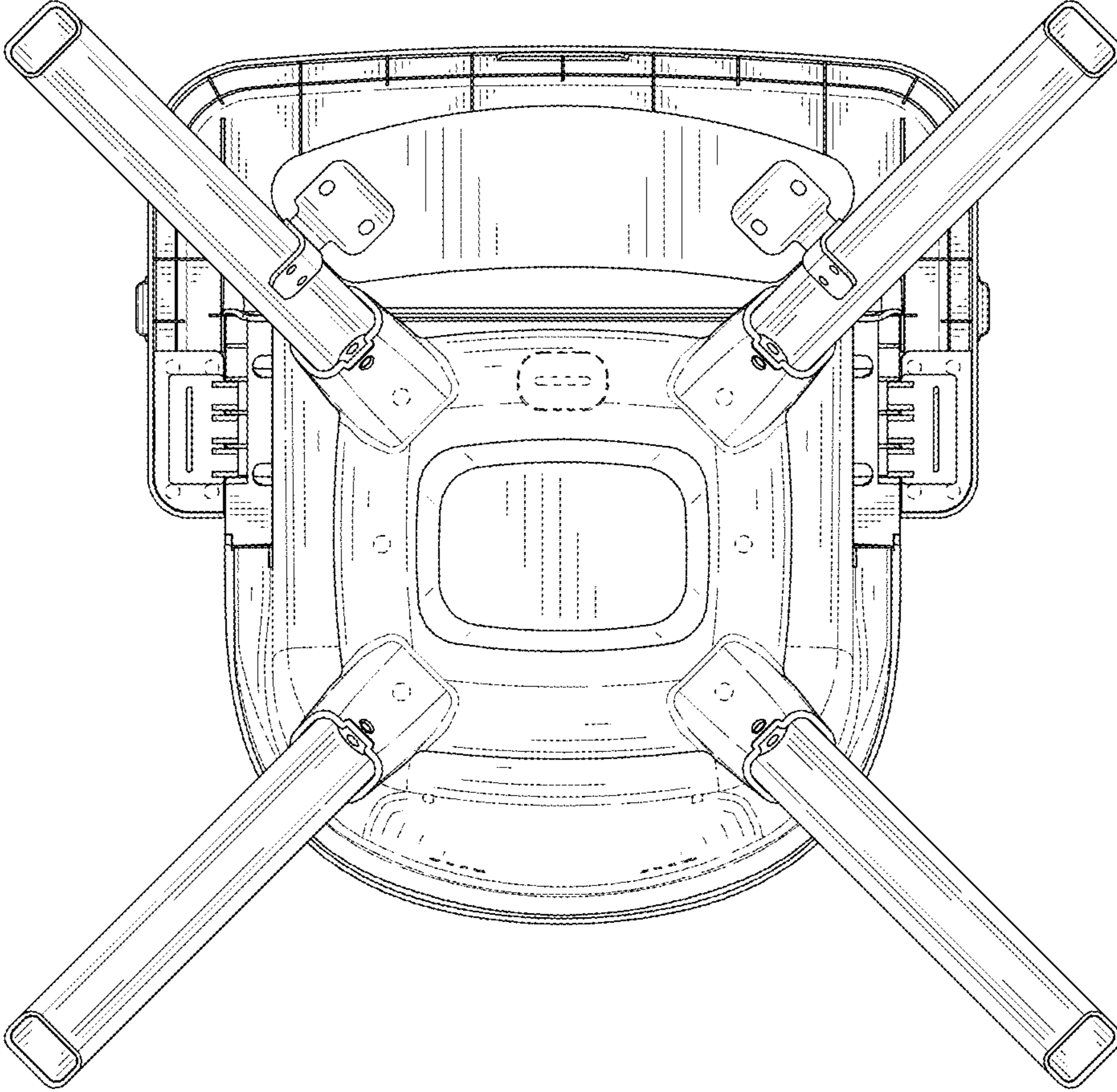


FIG. 8