



US00D945173S

(12) **United States Design Patent**
Witt et al.

(10) **Patent No.:** **US D945,173 S**
(45) **Date of Patent:** **** Mar. 8, 2022**

(54) **ROBE HOOK**

(71) Applicant: **HANSGROHE SE**, Schiltach (DE)

(72) Inventors: **Alvaro Witt**, Stuttgart (DE); **Andreas Diefenbach**, Ludwigsburg-Ossweil (DE)

(73) Assignee: **Hansgrohe SE**, Schiltach (DE)

(**) Term: **15 Years**

(21) Appl. No.: **29/757,442**

(22) Filed: **Nov. 5, 2020**

(30) **Foreign Application Priority Data**

May 11, 2020 (EM) 007880810-0023

(51) **LOC (13) Cl.** **06-08**

(52) **U.S. Cl.**
USPC **D6/323**

(58) **Field of Classification Search**

USPC D6/315-328; D8/367, 370, 371, 372,
D8/373, 380

CPC A47G 25/32; A47G 25/28; A47G 25/743;
A47G 25/746; A47G 29/083; A47G
25/06; A47G 25/0607; A47G 25/10;
A47G 25/38; A47G 29/08; A47G 1/17;
A47G 7/044; A47G 29/00

See application file for complete search history.

(56) **References Cited**

U.S. PATENT DOCUMENTS

1,272,899 A * 7/1918 Berko A47B 57/42
248/224.61
D337,014 S * 7/1993 Wang D6/524

D361,671 S * 8/1995 Sharpe D6/323
D429,521 S * 8/2000 Doughty D23/250
D478,754 S 8/2003 Moore
D518,323 S * 4/2006 Qu D6/550
D555,365 S * 11/2007 Berberet D6/323
D564,270 S * 3/2008 Gilbert D6/524
D567,517 S * 4/2008 Massaud D6/323
D653,521 S * 2/2012 Wike D8/310
D661,146 S * 6/2012 Gilbert D6/524
D840,793 S * 2/2019 Hattori D8/367

* cited by examiner

Primary Examiner — Lauren R Calve

(74) *Attorney, Agent, or Firm* — Lora J. Graentzdoerffer

(57) **CLAIM**

The ornamental design for a robe hook, as shown and described.

DESCRIPTION

FIG. 1 is a perspective view of a robe hook showing our design;

FIG. 2 is a front elevational view;

FIG. 3 is a rear elevational view;

FIG. 4 is a side elevational view;

FIG. 5 is a side elevational view;

FIG. 6 is a top plan view; and,

FIG. 7 is a bottom plan view.

1 Claim, 7 Drawing Sheets

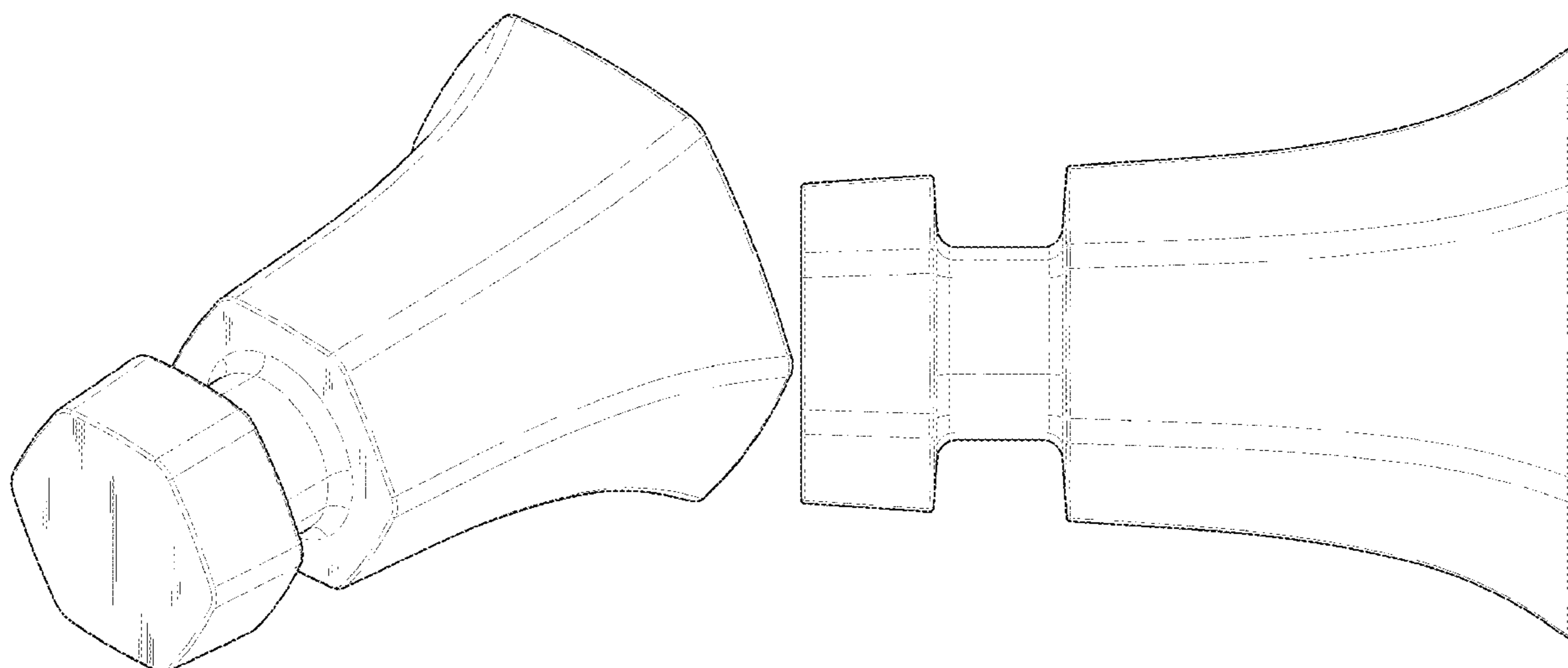


FIG. 1

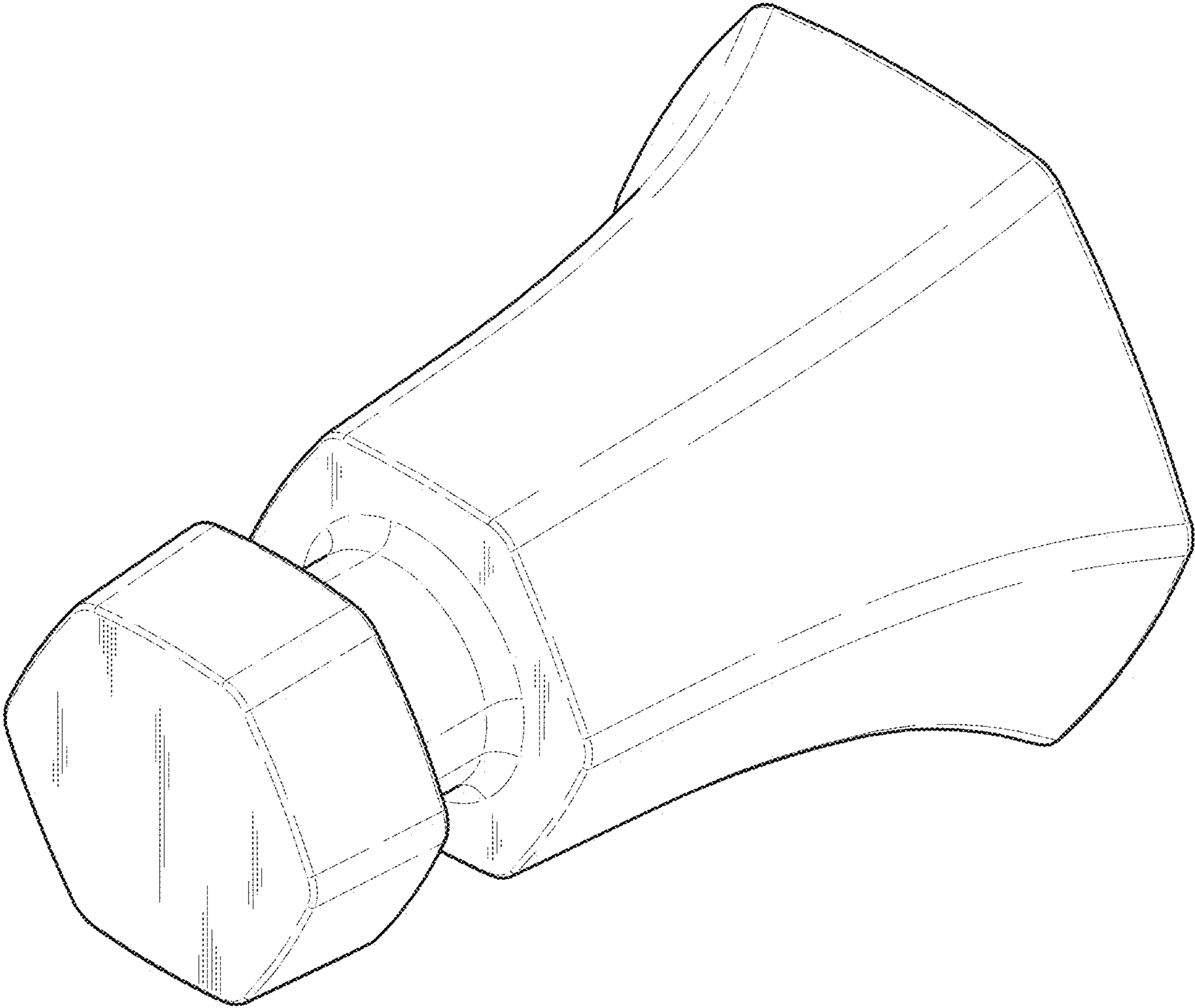


FIG. 2

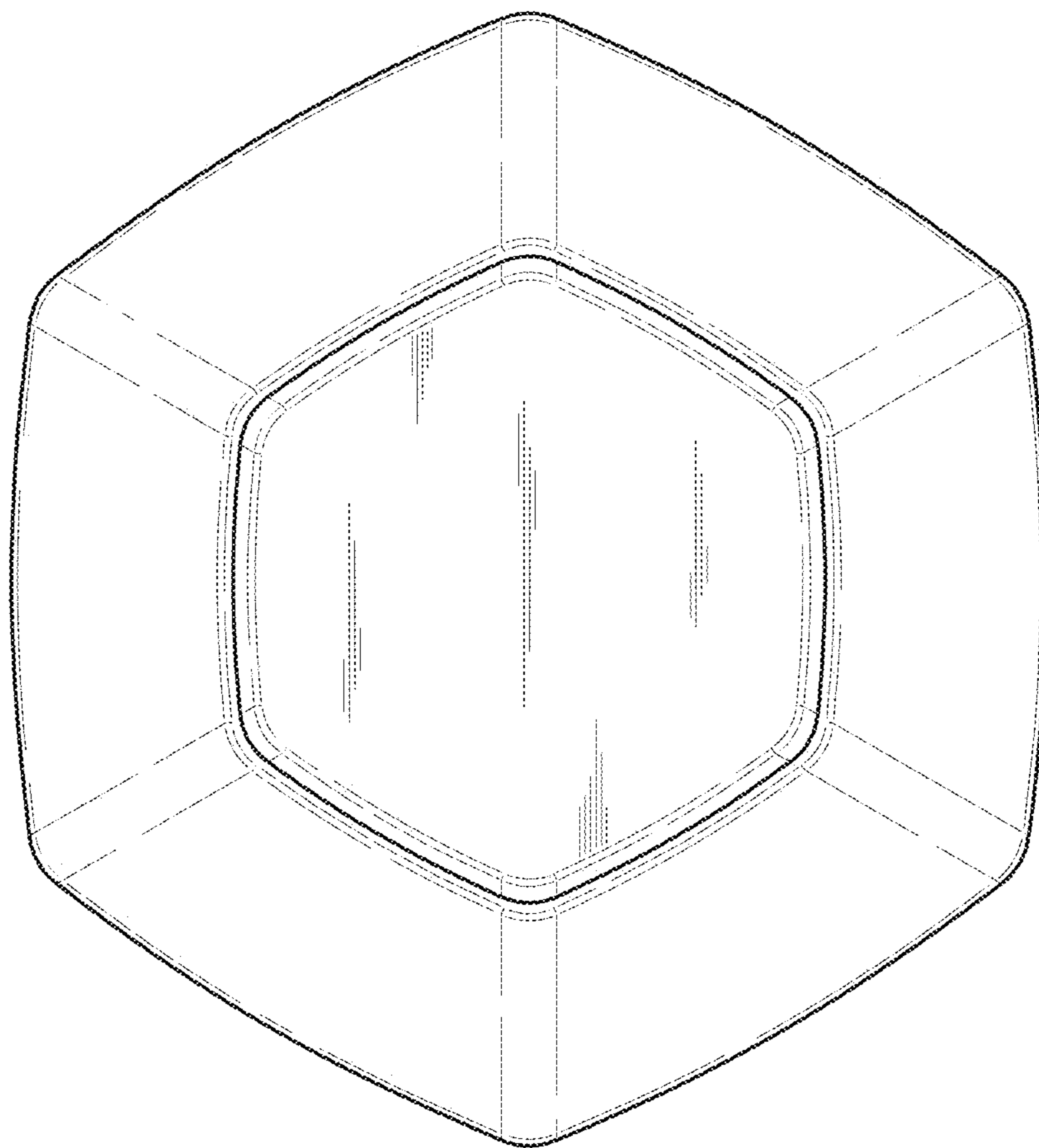


FIG. 3

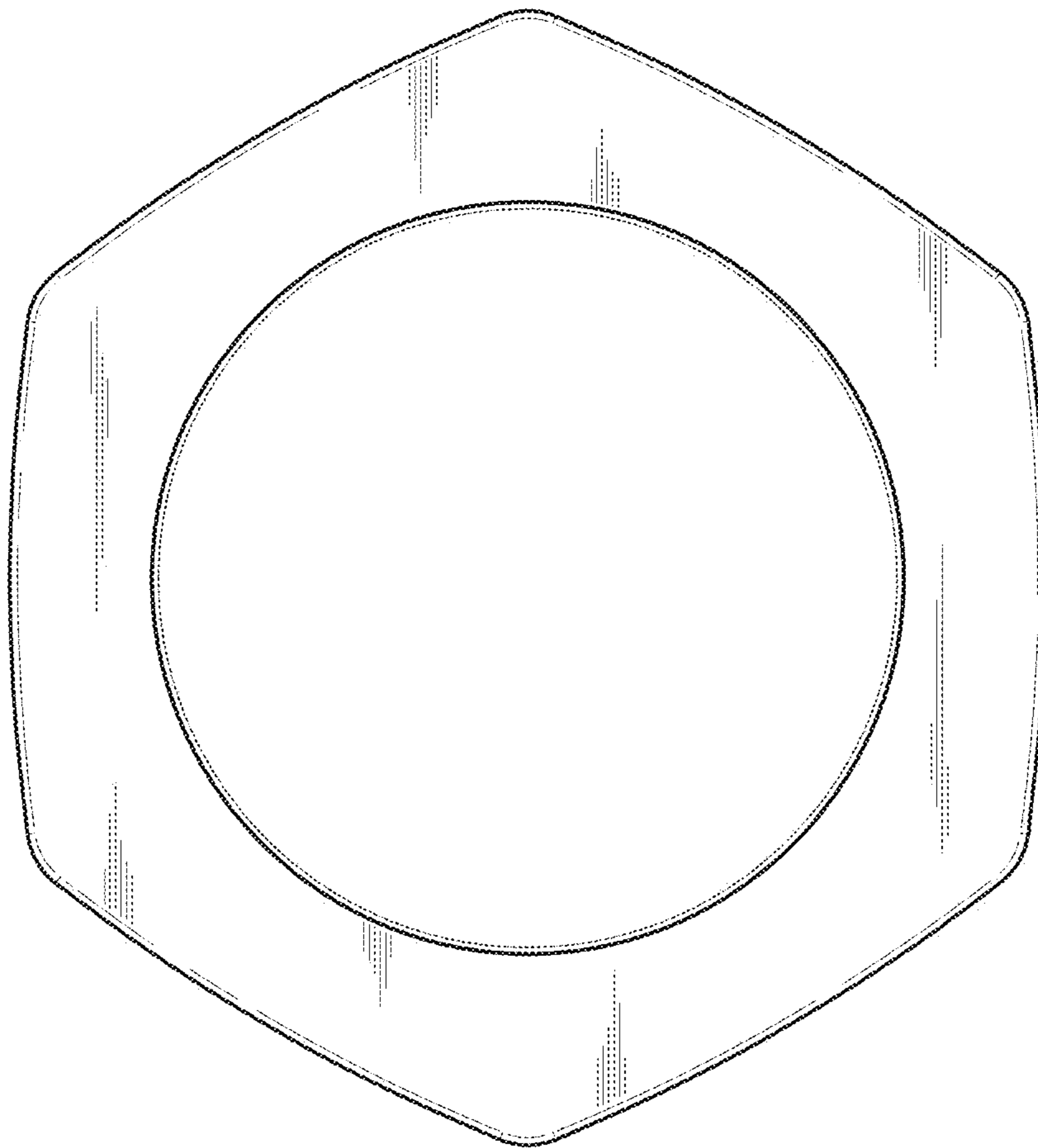


FIG. 4

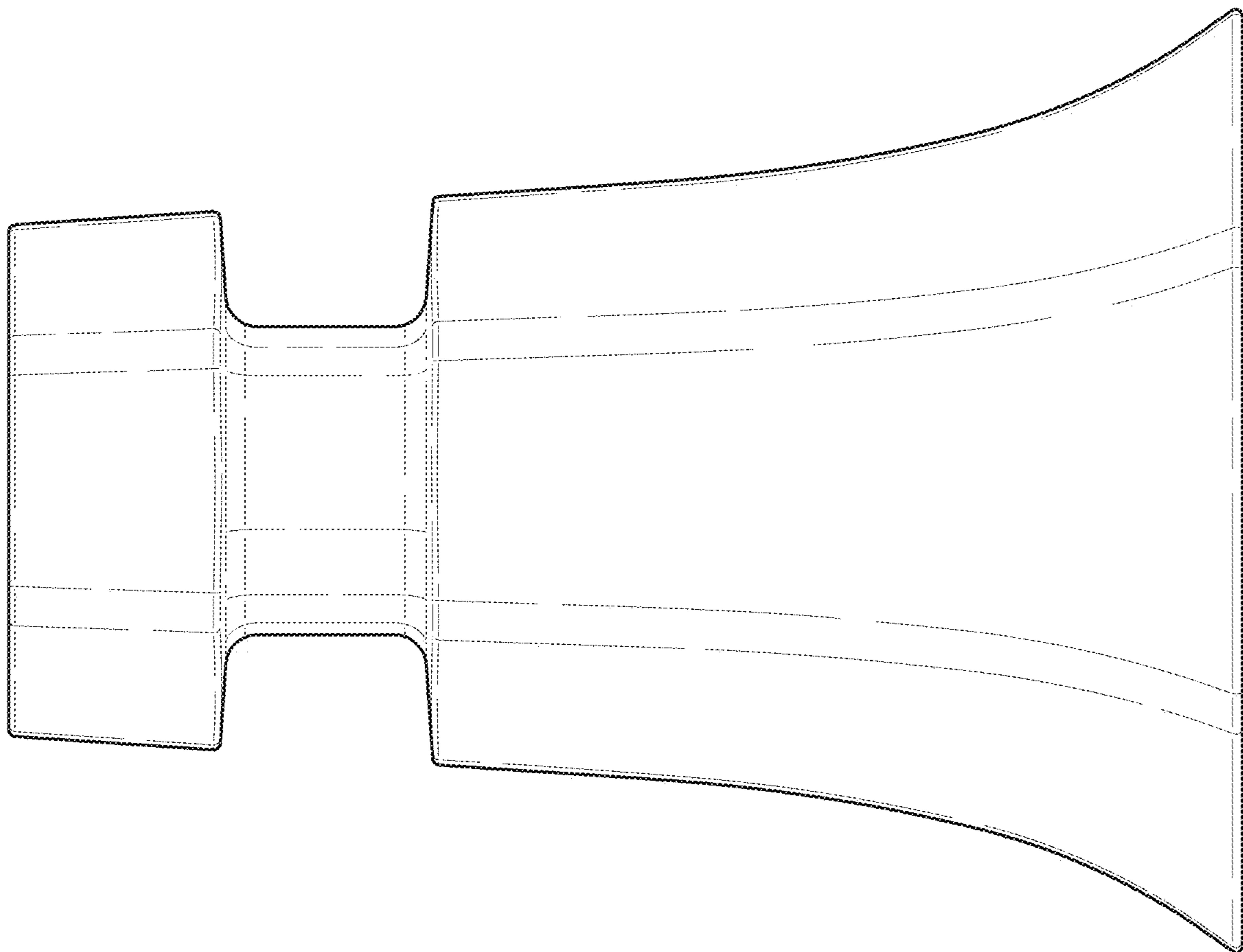


FIG. 5

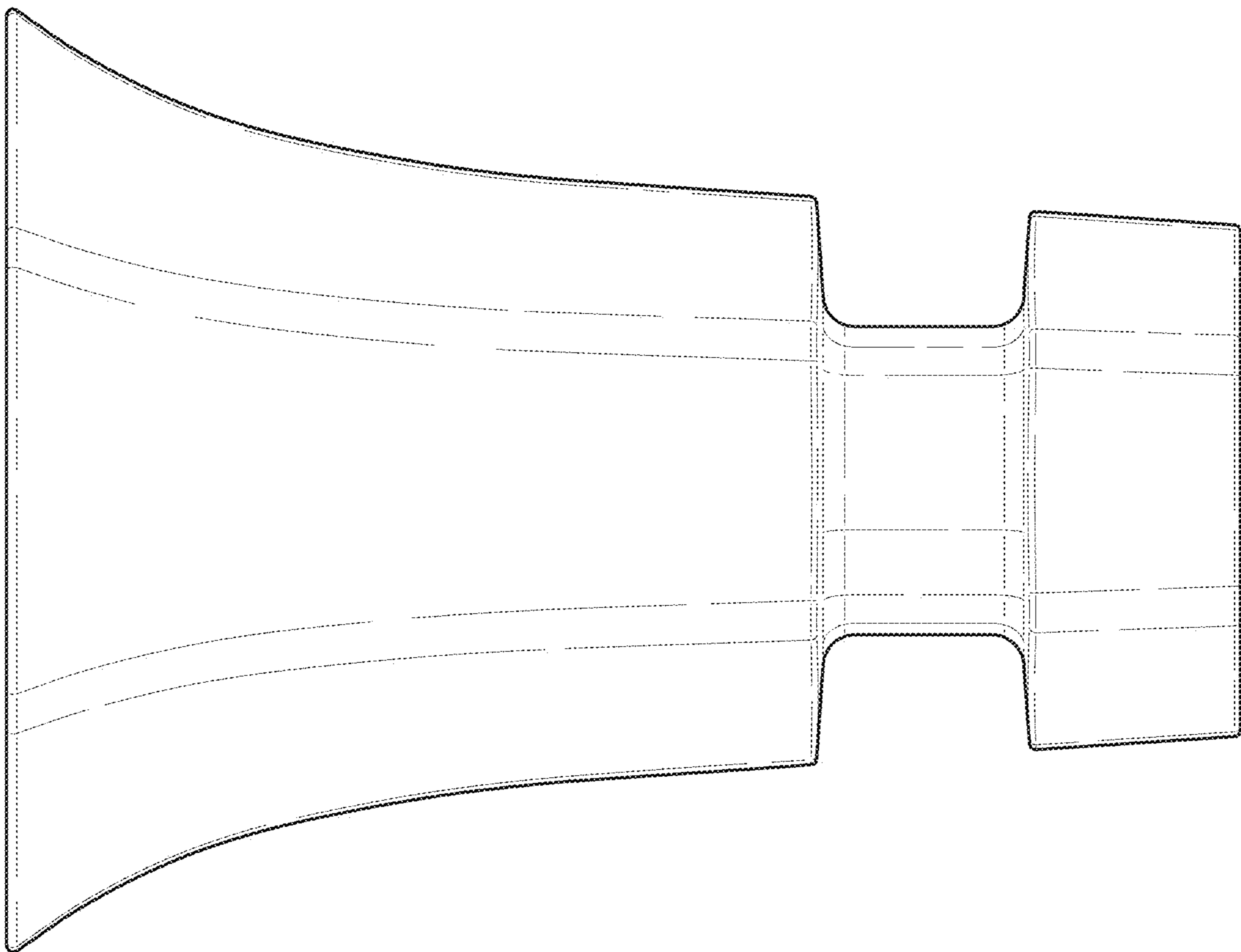


FIG. 6

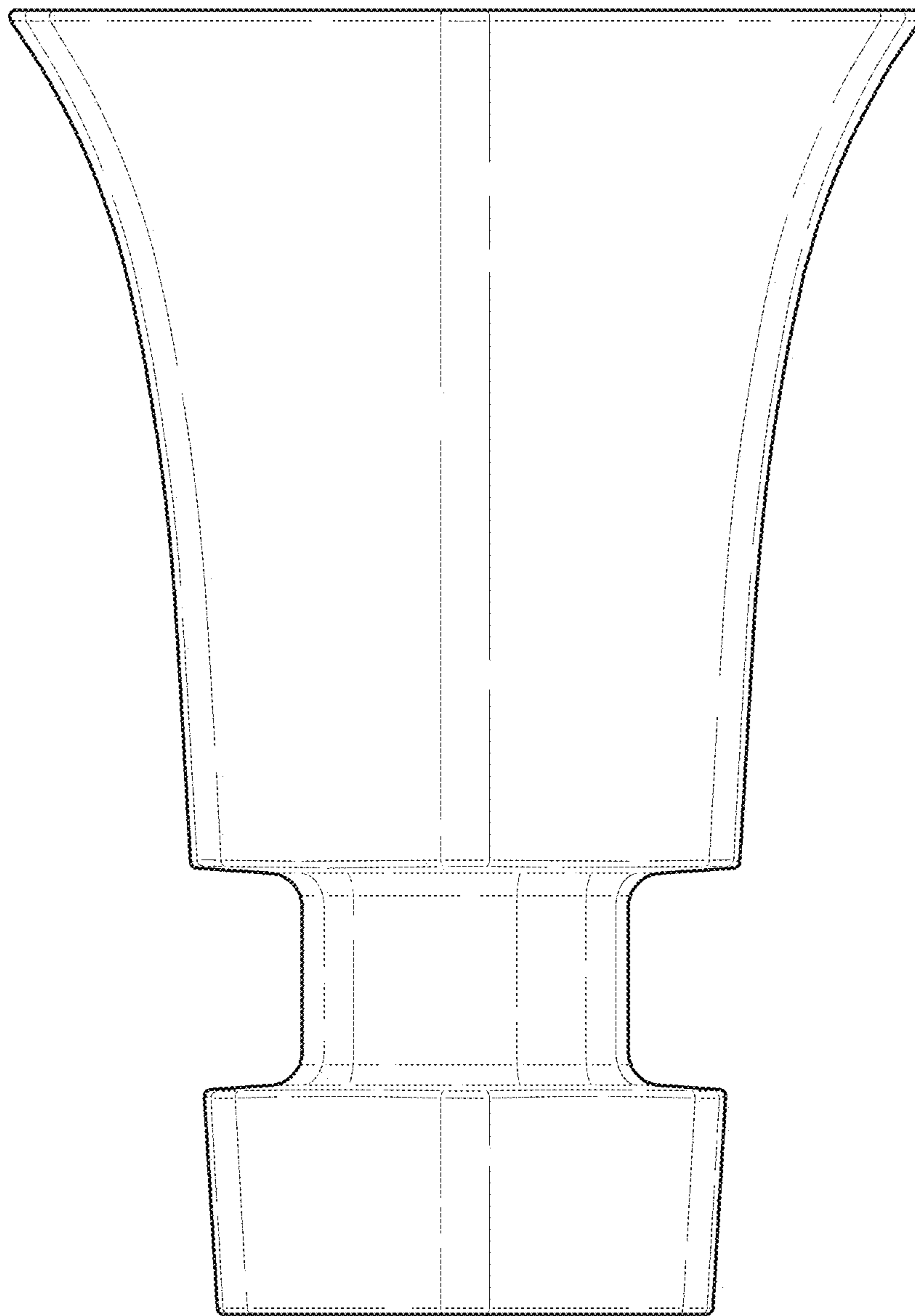


FIG. 7

