



US00D945172S

(12) **United States Design Patent**
Murray

(10) **Patent No.:** **US D945,172 S**
(45) **Date of Patent:** **** Mar. 8, 2022**

- (54) **COAT RACK**
- (71) Applicant: **Tim Murray**, Aspen, CO (US)
- (72) Inventor: **Tim Murray**, Aspen, CO (US)
- (**) Term: **15 Years**
- (21) Appl. No.: **29/709,370**
- (22) Filed: **Oct. 14, 2019**
- (51) **LOC (13) Cl.** **06-08**
- (52) **U.S. Cl.**
USPC **D6/320; D6/323**
- (58) **Field of Classification Search**
USPC D6/315-328, 552, 553, 567, 569, 570,
D6/571; D8/367, 372
CPC A47G 25/32; A47G 25/28; A47G 25/10;
A47G 25/743; A47G 25/746; A47G
25/36; A47G 25/0664; A47G 29/08;
A47G 33/1246; A47G 29/00; A47F
5/0006; A47F 7/06; A47F 5/0018; A47F
5/08; A47F 7/19; A47F 7/0028; A47F
5/0823; A47F 5/0815; A47F 5/0876;
A47F 5/101
See application file for complete search history.

- (56) **References Cited**
U.S. PATENT DOCUMENTS
D136,900 S * 12/1943 Jorgensen et al. D6/320
D193,272 S * 7/1962 Milkie D6/320
D204,344 S * 4/1966 Schendel D6/570
3,349,922 A * 10/1967 Morrison A47G 25/746
211/113
D211,370 S * 6/1968 Morrison D6/320
3,698,563 A * 10/1972 Gordon A63B 60/60
211/85.7
D286,119 S * 10/1986 Enquist D6/552
D294,442 S * 3/1988 Bordian D6/528
D327,197 S * 6/1992 Belokin, Jr. D6/567
D353,294 S * 12/1994 Belokin D6/567

- 5,704,495 A * 1/1998 Bale A61B 50/20
211/71.01
D404,952 S * 2/1999 Bauer D6/552
6,120,224 A * 9/2000 Powell B60P 7/15
410/143
D524,146 S * 7/2006 Jolson D6/567
D602,294 S * 10/2009 Ferguson D6/569
7,721,899 B2 * 5/2010 Lambert A47K 1/09
211/65
D736,010 S * 8/2015 Reed, Jr. D6/553
D743,048 S * 11/2015 Kuran D24/231
9,282,817 B2 * 3/2016 Yates A47B 81/005
D789,114 S * 6/2017 Reed D6/553
D860,677 S * 9/2019 Chesterton D6/552
2015/0060379 A1 * 3/2015 Larson A47F 5/0884
211/71.01
2017/0037660 A1 * 2/2017 Chesterton E05B 73/0094
(Continued)

Primary Examiner — Lauren R Calve

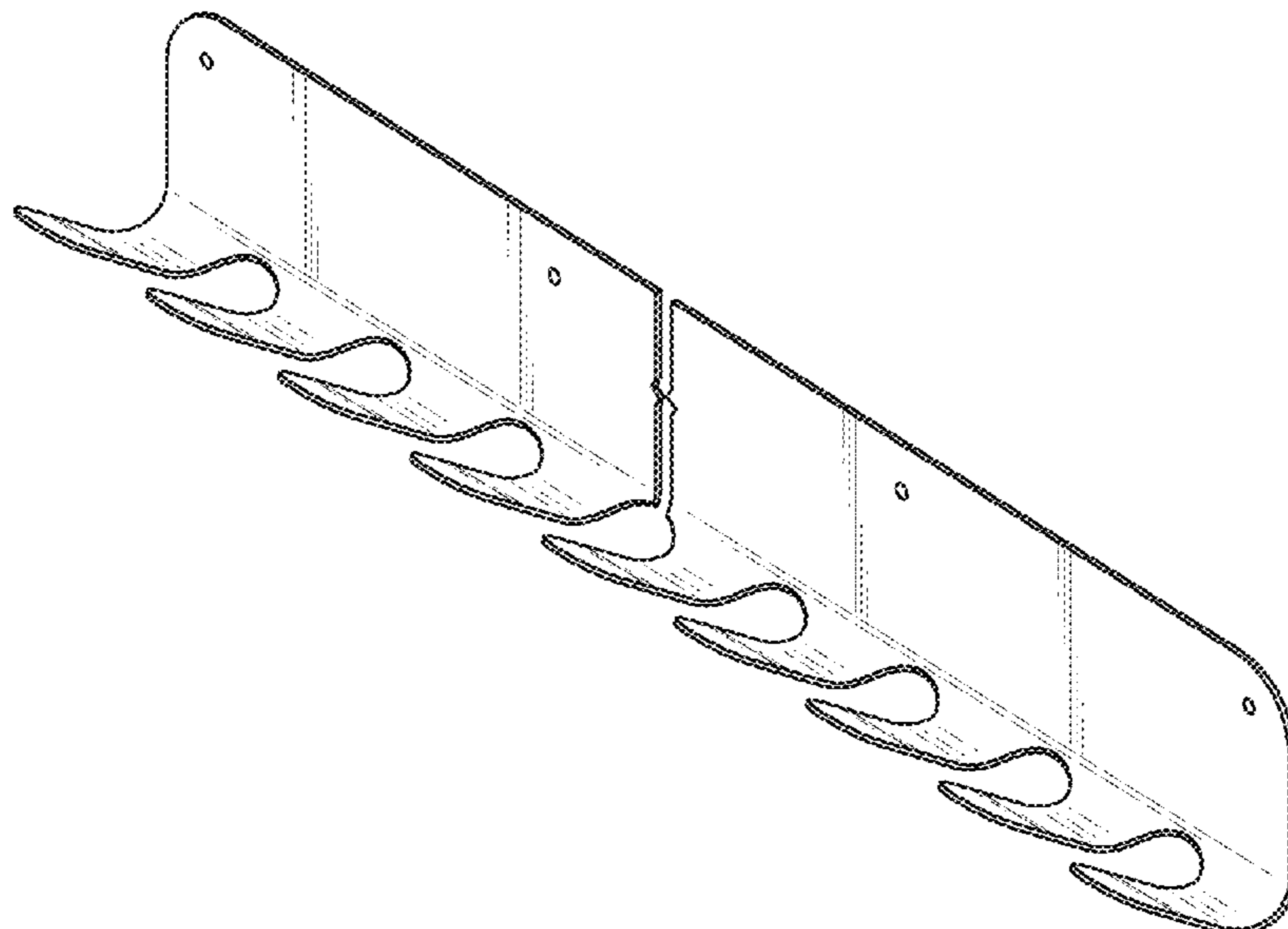
(57) **CLAIM**

The ornamental design for a coat rack substantially, as shown and described.

DESCRIPTION

FIG. 1 is a top perspective view of a coat rack;
 FIG. 2 is a bottom perspective view thereof;
 FIG. 3 is a bottom view thereof;
 FIG. 4 is a top view thereof;
 FIG. 5 is a side view thereof, the opposite side view being a mirror image;
 FIG. 6 is a front view thereof;
 FIG. 7 is a back view thereof; and,
 FIG. 8 is a perspective view thereof showing the coat rack in use.
 The claim is shown with a symbolic break in its length. The appearance of any portion of the article between the break lines forms no part of the claimed design.
 The broken lines shown in FIG. 8 represent an article of clothing which forms no part of the claimed design.

1 Claim, 8 Drawing Sheets



(56)

References Cited

U.S. PATENT DOCUMENTS

2019/0038110 A1* 2/2019 Manooki A47B 81/04
2020/0039058 A1* 2/2020 Steinweg B25H 3/04

* cited by examiner

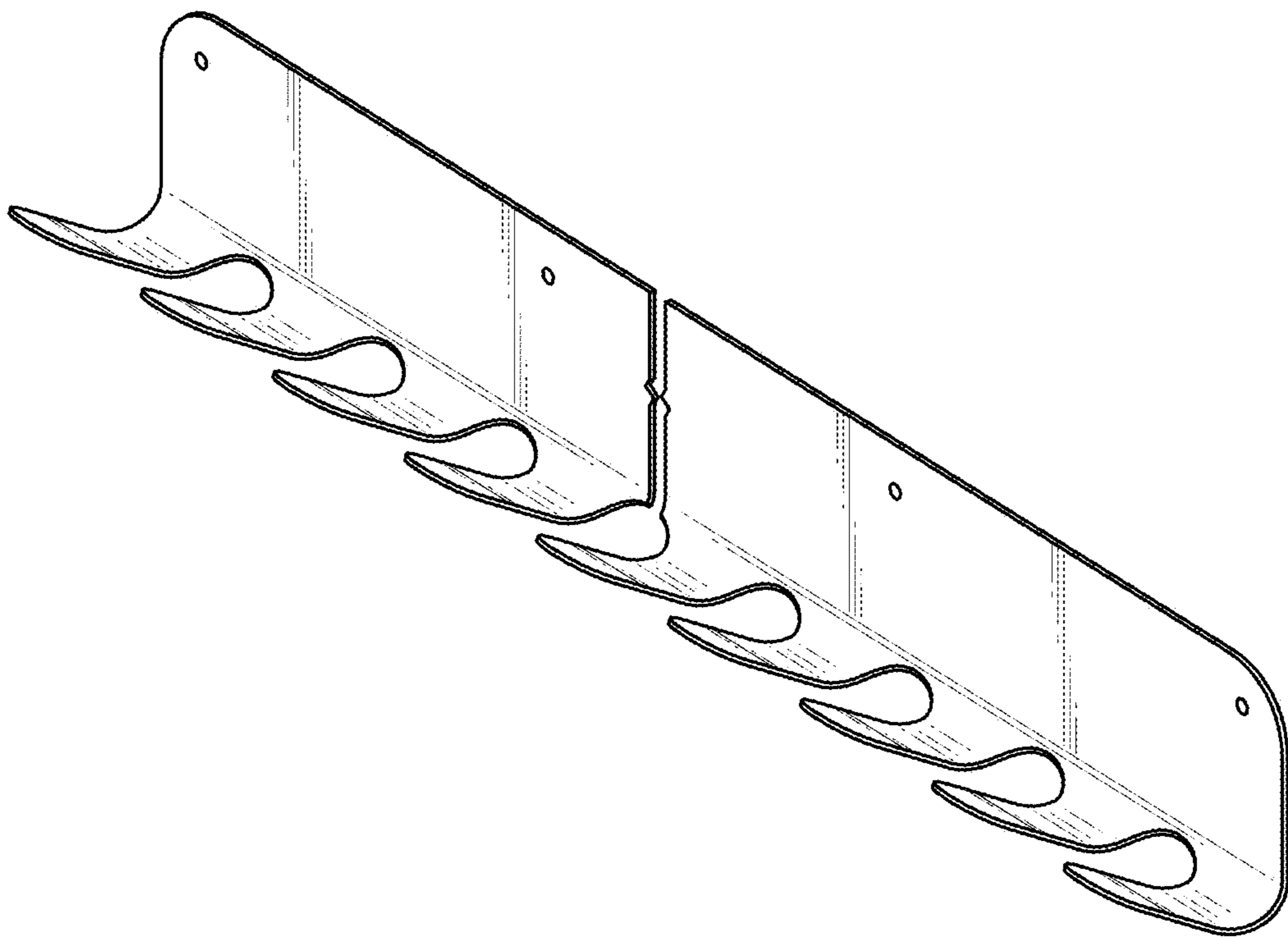


FIG. 1

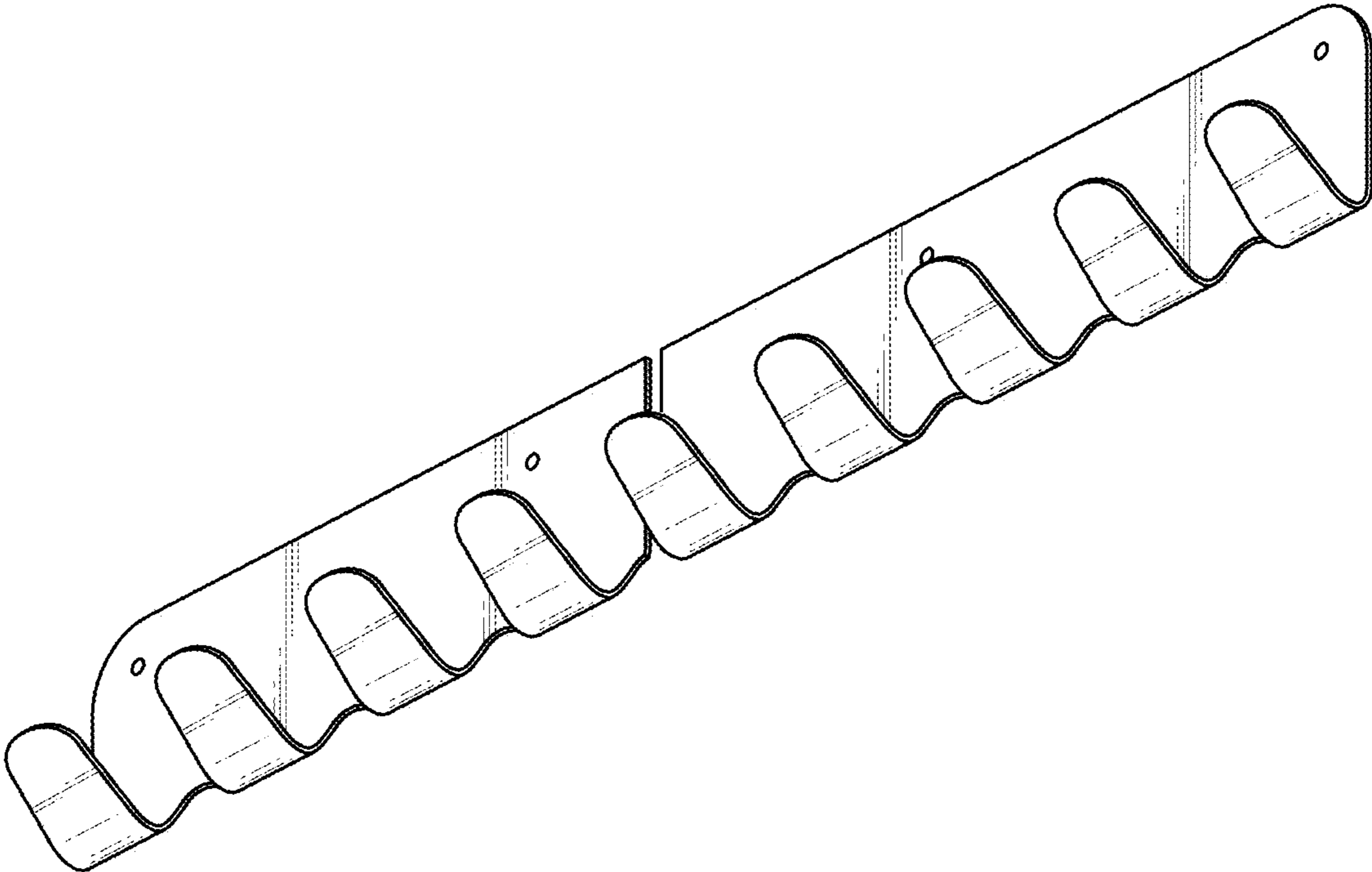


FIG. 2

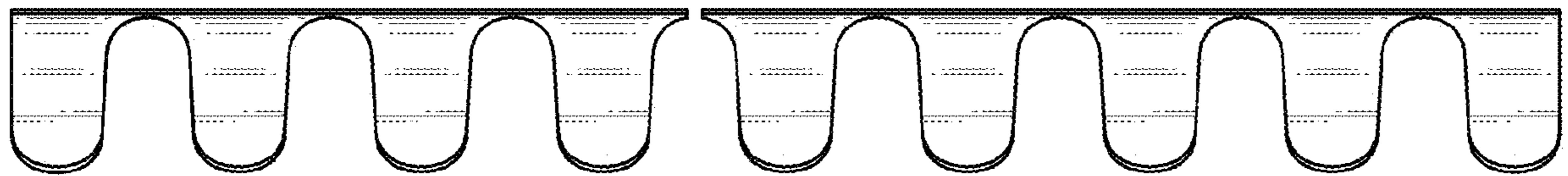


FIG. 3

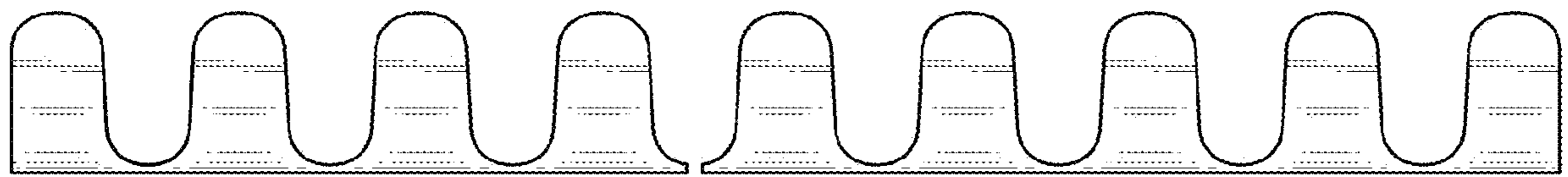


FIG. 4

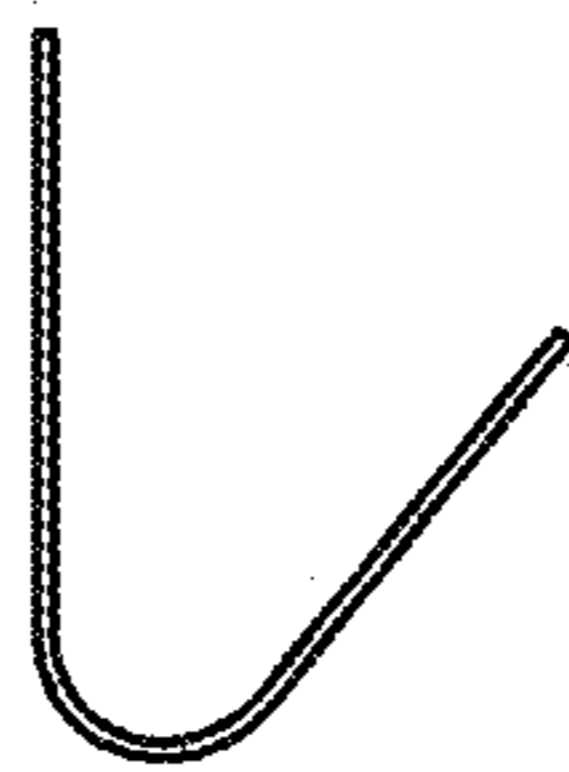


FIG. 5

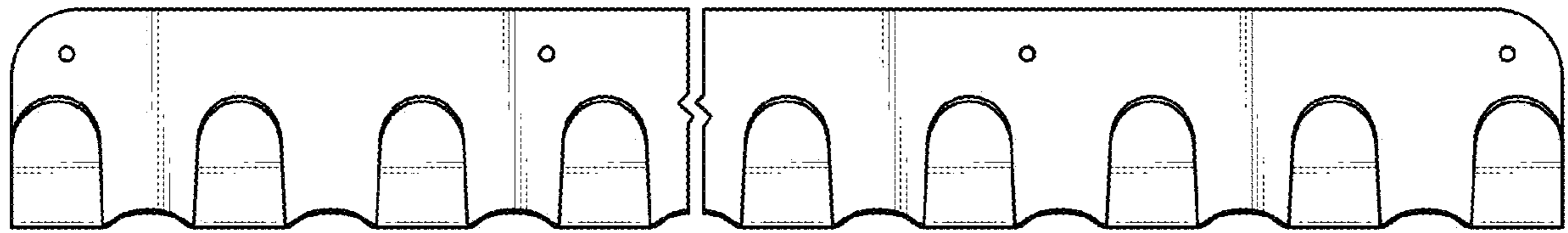


FIG. 6

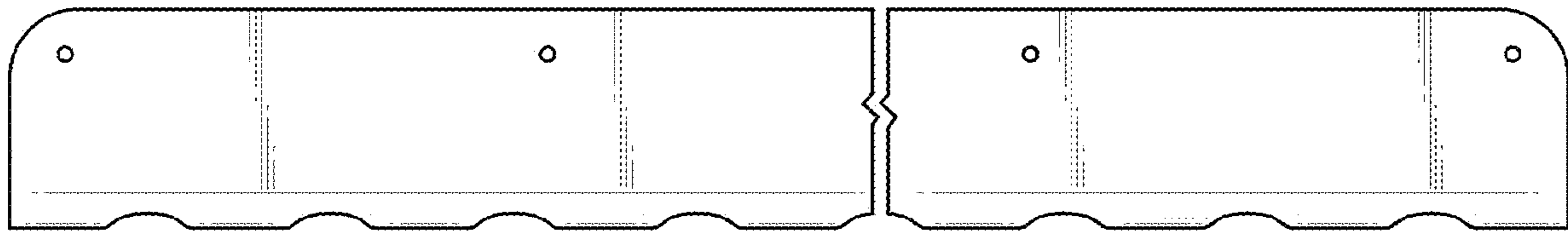


FIG. 7

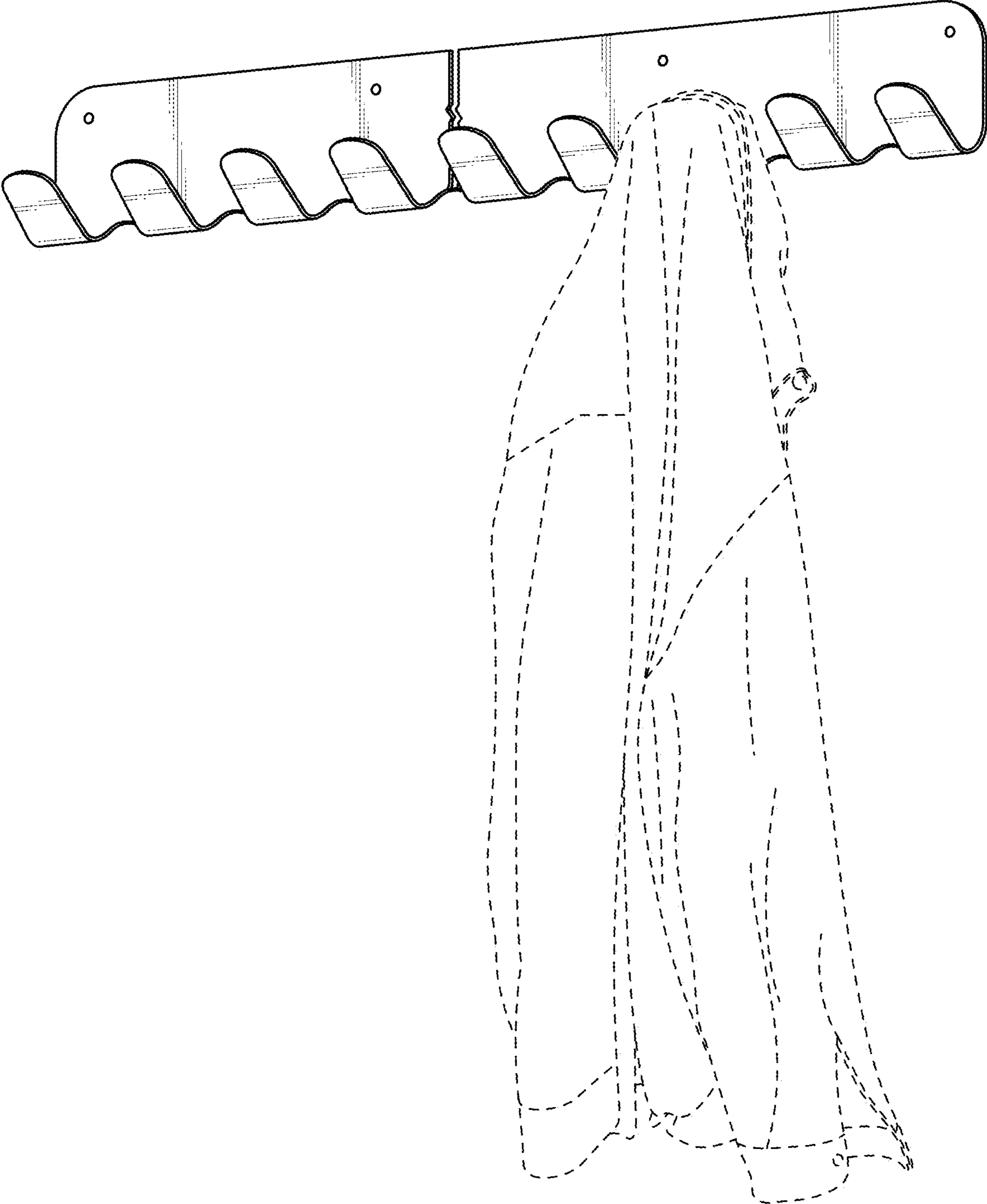


FIG. 8