

US00D945170S

(12) **United States Design Patent** (10) **Patent No.:** **US D945,170 S**  
**Morrish et al.** (45) **Date of Patent:** **\*\* Mar. 8, 2022**

(54) **TILE FRAME**  
(71) Applicant: **Innova Mill (Holdings) Ltd.**, Powys (GB)

D909,073 S \* 2/2021 Katz ..... D6/300  
D909,074 S \* 2/2021 Katz ..... D6/300  
D909,766 S \* 2/2021 Katz ..... D6/300  
D910,322 S \* 2/2021 Doherty ..... D6/300  
D917,182 S \* 4/2021 Katz ..... D6/300

(Continued)

(72) Inventors: **Mark Morrish**, Powys (GB); **John Morrish**, Powys (GB)

FOREIGN PATENT DOCUMENTS

(73) Assignee: **Innova Mill (Holdings) Ltd.**

AU 104657 S 8/1989  
AU 104670 S 8/1989

(\*\*) Term: **15 Years**

(Continued)

(21) Appl. No.: **29/749,797**

OTHER PUBLICATIONS

(22) Filed: **Sep. 9, 2020**

(51) **LOC (13) Cl.** ..... **06-07**

(52) **U.S. Cl.**  
USPC ..... **D6/300**

(58) **Field of Classification Search**  
USPC ..... D6/300, 301, 302, 303, 304, 307, 308,  
D6/309, 310, 311, 312, 313, 314;  
D10/15, 21, 24; D14/336, 341, 371, 372,  
D14/374, 381, 382, 448, 450; D20/10,  
D20/27  
CPC ..... A47G 1/06; A47G 1/0605; A47G 1/0616;  
A47G 1/0638; A47G 1/08; A47G 1/14;  
A47G 1/142; A47G 1/16; A47G 1/1613;  
A47G 2001/0688; A47G 2001/0694;  
A47G 2001/148

Morris Cherry Tile Frame [online], [site visited Oct. 21, 2021]. Available from internet, URL: <[https://www.etsy.com/listing/927098922/morris-cherry-tile-frame-for-6-x-6-tile?ga\\_order=most\\_relevant&ga\\_search\\_type=all&ga\\_view\\_type=gallery&ga\\_search\\_query=tile+frame&ref=sr\\_gallery-1-8](https://www.etsy.com/listing/927098922/morris-cherry-tile-frame-for-6-x-6-tile?ga_order=most_relevant&ga_search_type=all&ga_view_type=gallery&ga_search_query=tile+frame&ref=sr_gallery-1-8)> (Year: 2021).\*

*Primary Examiner* — Cynthia Ramirez  
*Assistant Examiner* — Xavier Marti-Santos  
(74) *Attorney, Agent, or Firm* — Lerner, David, Littenberg, Krumholz & Mentlik, LLP

See application file for complete search history.

(57) **CLAIM**

The ornamental design for a tile frame, as shown and described.

**DESCRIPTION**

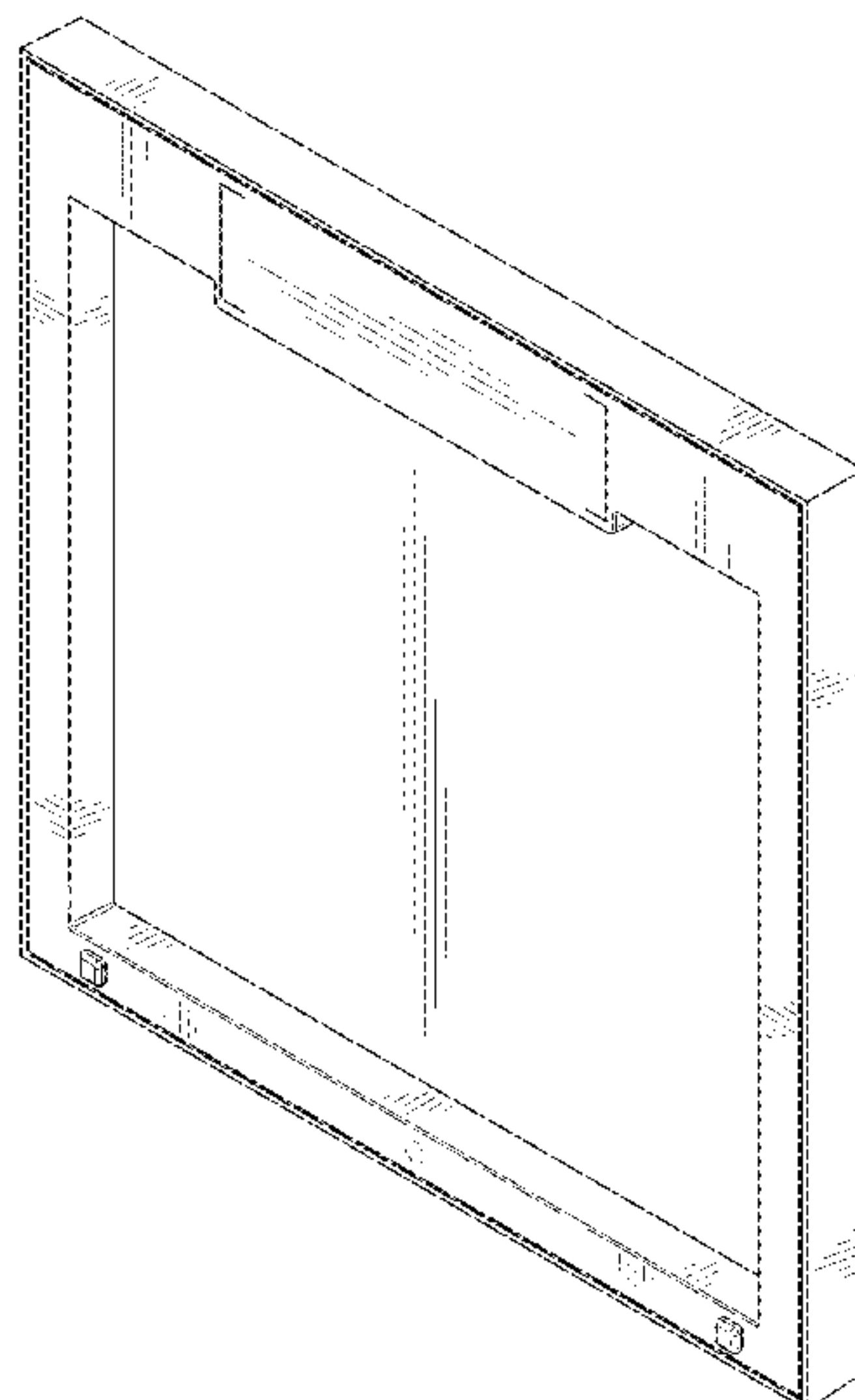
(56) **References Cited**

U.S. PATENT DOCUMENTS

D445,262 S 7/2001 Rowan  
D481,544 S 11/2003 Di Leggerini  
D548,981 S \* 8/2007 Ernetoft ..... D6/300  
D609,019 S 2/2010 Zhang et al.  
D622,970 S 9/2010 Tang et al.  
D654,703 S \* 2/2012 LeMay ..... D6/300  
D747,109 S \* 1/2016 Shay-Puetzer ..... D6/300  
D876,251 S \* 2/2020 Branham ..... D10/64  
D887,724 S \* 6/2020 Yu ..... D6/308  
D903,340 S \* 12/2020 Tsai ..... D6/300

FIG. 1 is a perspective rear view of a tile frame;  
FIG. 2 is a rear view thereof;  
FIG. 3 is a front perspective view thereof;  
FIG. 4 is a left side view thereof (the right side being a mirror image of the left side); and,  
FIG. 5 is a top side view thereof (the bottom side being a mirror image of the top side).  
The broken lines shown in the drawings are included for the purpose of illustrating portions of the tile frame and form no part of the claimed design.

**1 Claim, 4 Drawing Sheets**



(56)

**References Cited**

U.S. PATENT DOCUMENTS

2017/0135504 A1\* 5/2017 Jones ..... A47G 1/1666  
2017/0146322 A1\* 5/2017 Seuk ..... F41J 1/10

FOREIGN PATENT DOCUMENTS

AU	139840	S	2/2000
AU	139901	S	2/2000
AU	150812	S	2/2003
CA	182263	S	5/2019
CA	183024	S	5/2019
EM	0003530320002	S	8/2005
EM	002666826001	S	3/2015
GB	1046831	S	6/1988
GB	4005223	S	11/2007
GB	4045614	S	7/2016
GB	6087783	S *	4/2020
GB	6087783	S	4/2020
HK	07010933	S	6/2007
HK	08017776	S	9/2008

\* cited by examiner

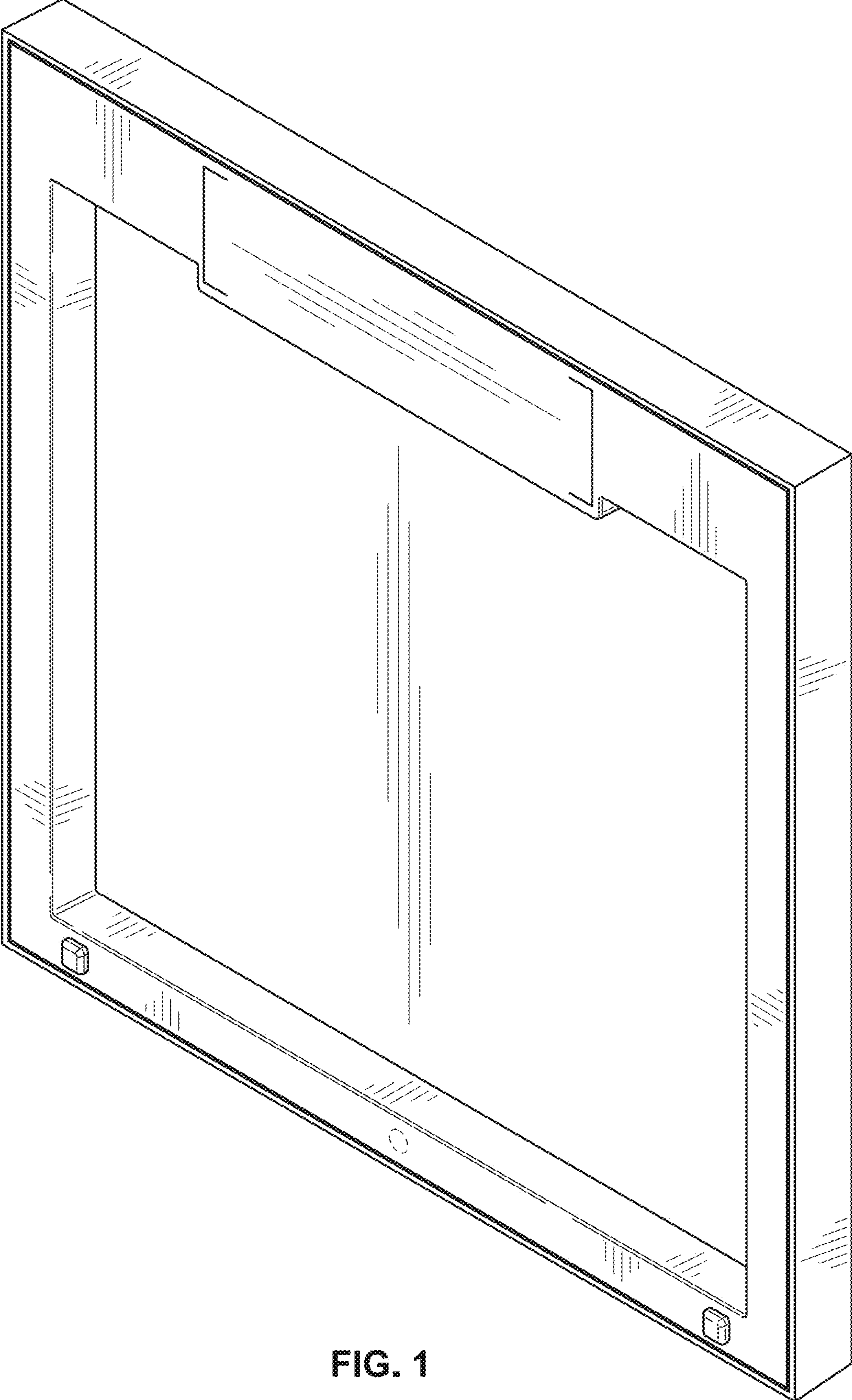


FIG. 1

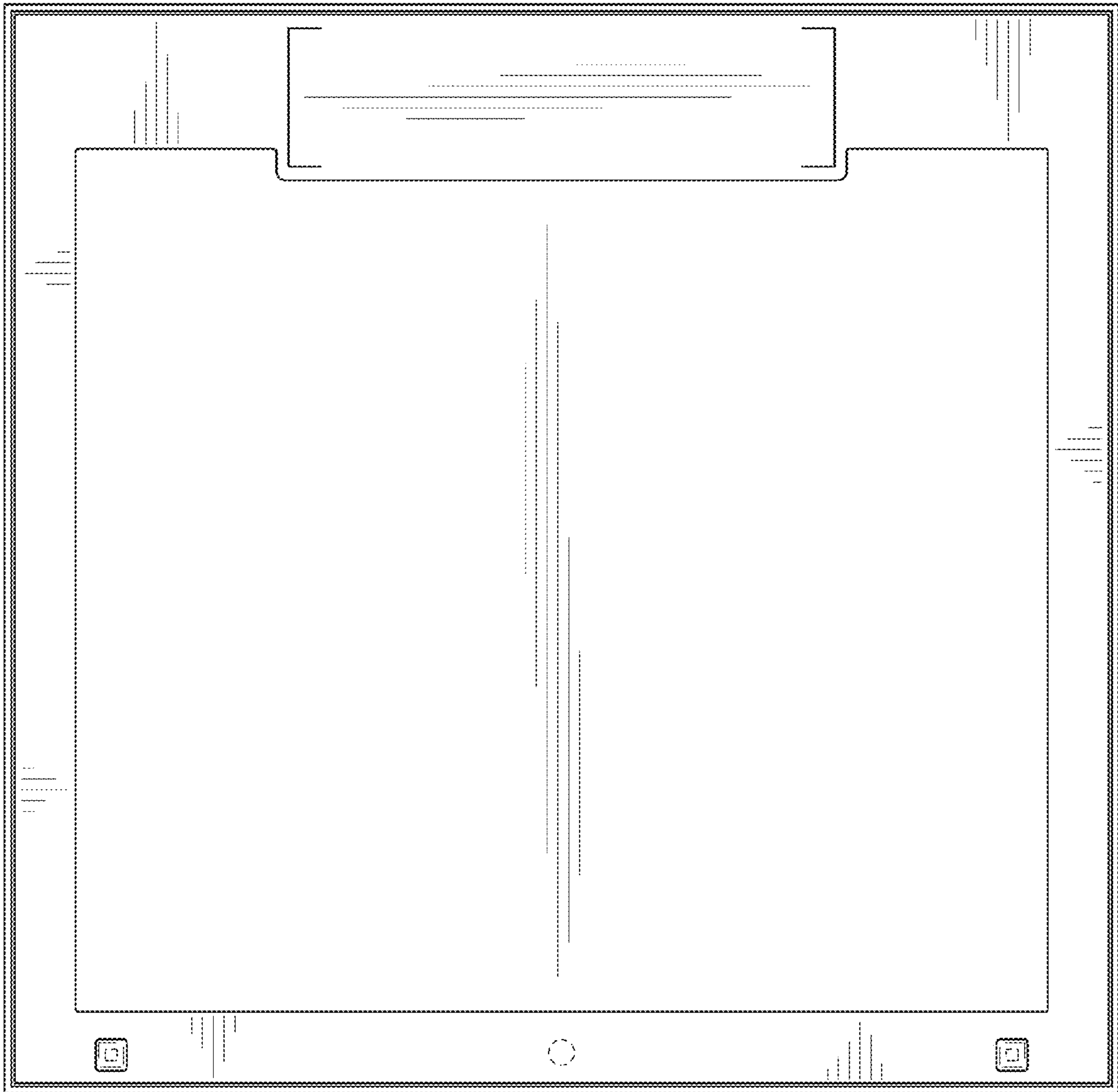


FIG. 2



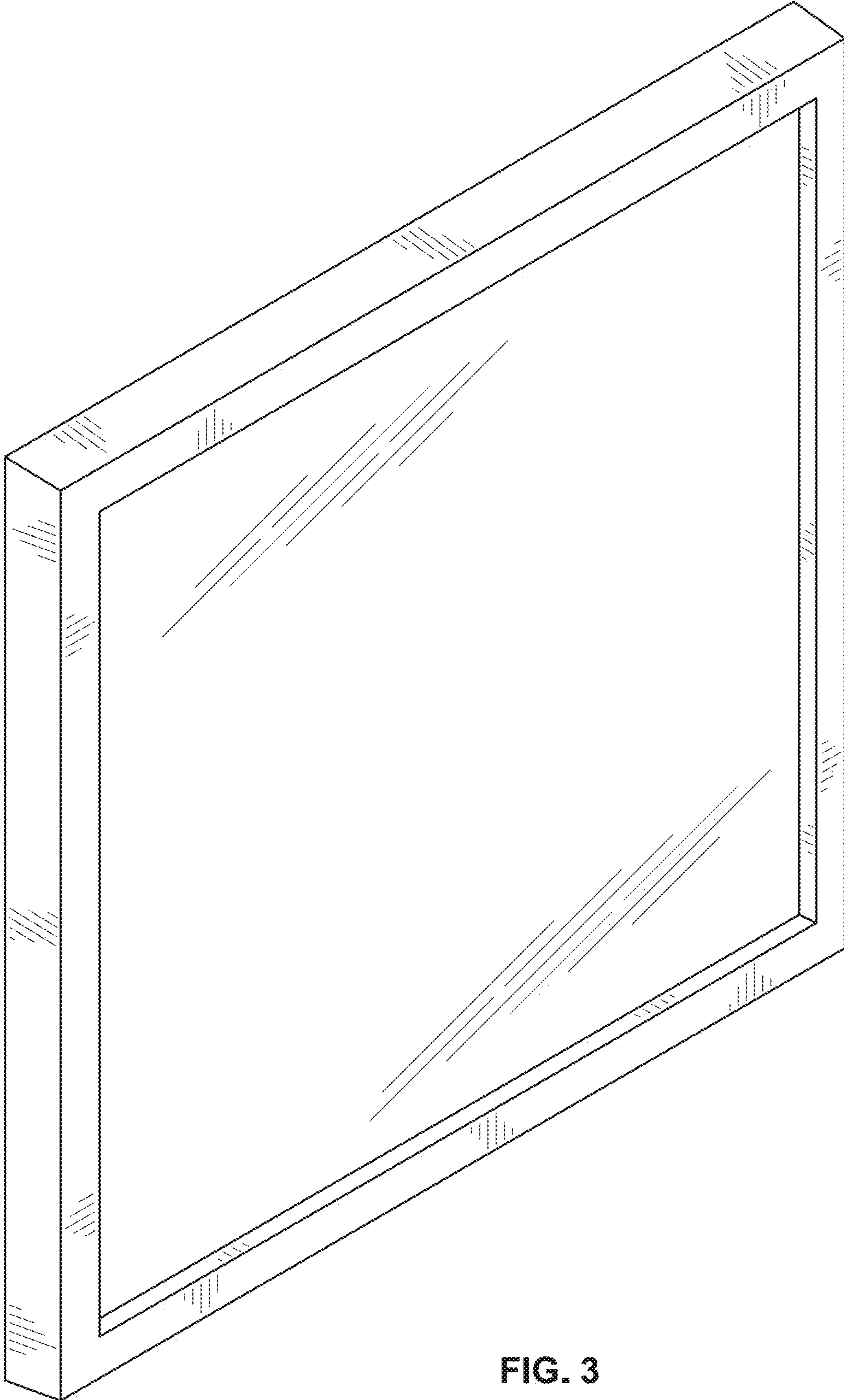


FIG. 3

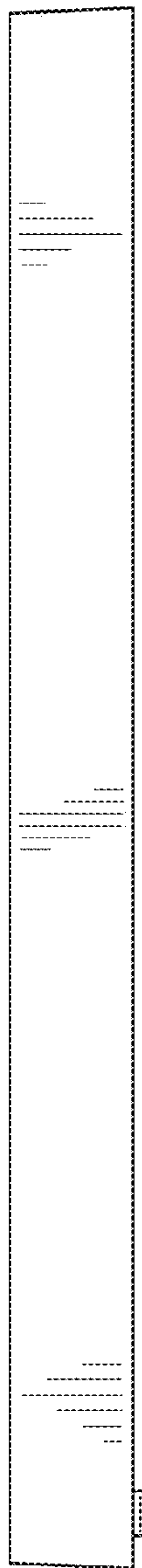


FIG. 4

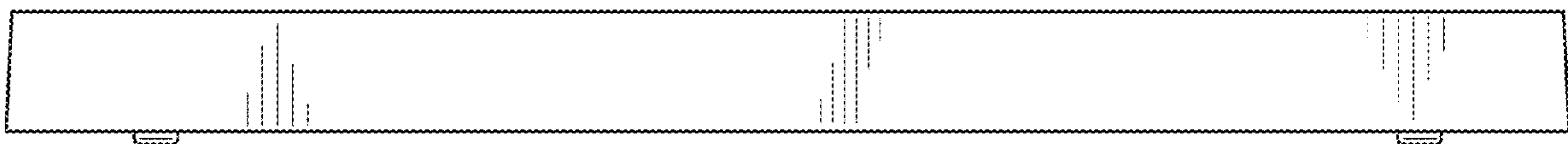


FIG. 5