



US00D945167S

(12) **United States Design Patent** (10) **Patent No.:** **US D945,167 S**  
**Funk et al.** (45) **Date of Patent:** **\*\* \*Mar. 8, 2022**

(54) **PAPER SHEET**  
(71) Applicant: **Kimberly-Clark Worldwide, Inc.**,  
Neenah, WI (US)  
(72) Inventors: **Sarah Ann Funk**, Omro, WI (US);  
**Jason Robert Boon**, Appleton, WI  
(US)  
(73) Assignee: **KIMBERLY-CLARK WORLDWIDE,**  
**INC.**, Neenah, WI (US)  
(\* ) Notice: This patent is subject to a terminal dis-  
claimer.  
(\*\*) Term: **15 Years**  
(21) Appl. No.: **29/668,515**  
(22) Filed: **Oct. 31, 2018**  
(51) **LOC (13) Cl.** ..... **05-06**  
(52) **U.S. Cl.**  
USPC ..... **D5/56**  
(58) **Field of Classification Search**  
USPC ..... D5/4, 7, 11, 21, 26, 30, 40, 41, 43, 47,  
D5/48, 52, 53, 55, 56, 58, 59, 60, 61, 62,  
D5/63, 64, 65, 99; D6/582, 588, 589,  
D6/597, 619, 602, 612, 616, 617, 622;  
D19/1; D25/138; D32/57  
CPC .. A61F 2002/30144; A61F 2002/30143; A61F  
2013/53916; A61F 2013/530562; A61F  
2013/00153; A61F 2013/0068; B44F  
3/00; B44F 7/00; D21F 1/0027; D21H  
27/02; F41H 3/02  
See application file for complete search history.

(56) **References Cited**  
U.S. PATENT DOCUMENTS  
D3,393 S \* 3/1869 Button ..... D5/7  
D3,527 S \* 6/1869 Salmon ..... D5/7  
D4,232 S \* 7/1870 Landenberger ..... D5/7  
D5,496 S \* 1/1872 Boot ..... D5/7

D21,903 S 10/1892 Steere  
D38,210 S \* 8/1906 French ..... D5/47  
D44,855 S \* 11/1913 Morris ..... D12/504  
D66,723 S \* 2/1925 Vandergaw et al. .... D5/56  
D88,608 S \* 12/1932 Willheim ..... D5/56  
D88,938 S \* 1/1933 Willheim ..... D5/56  
D90,148 S \* 6/1933 Bridier ..... D5/56  
D91,187 S \* 12/1933 Cote ..... D19/5  
(Continued)

**OTHER PUBLICATIONS**

26 Cheap, Neutral Rugs, Apr. 21, 2020, found on May 2, 2020 at  
[https://www.architecturaldigest.com/gallery/26-cheap-neutral-rugs-  
that-actually-look-good](https://www.architecturaldigest.com/gallery/26-cheap-neutral-rugs-that-actually-look-good) (Year: 2020).\*  
(Continued)

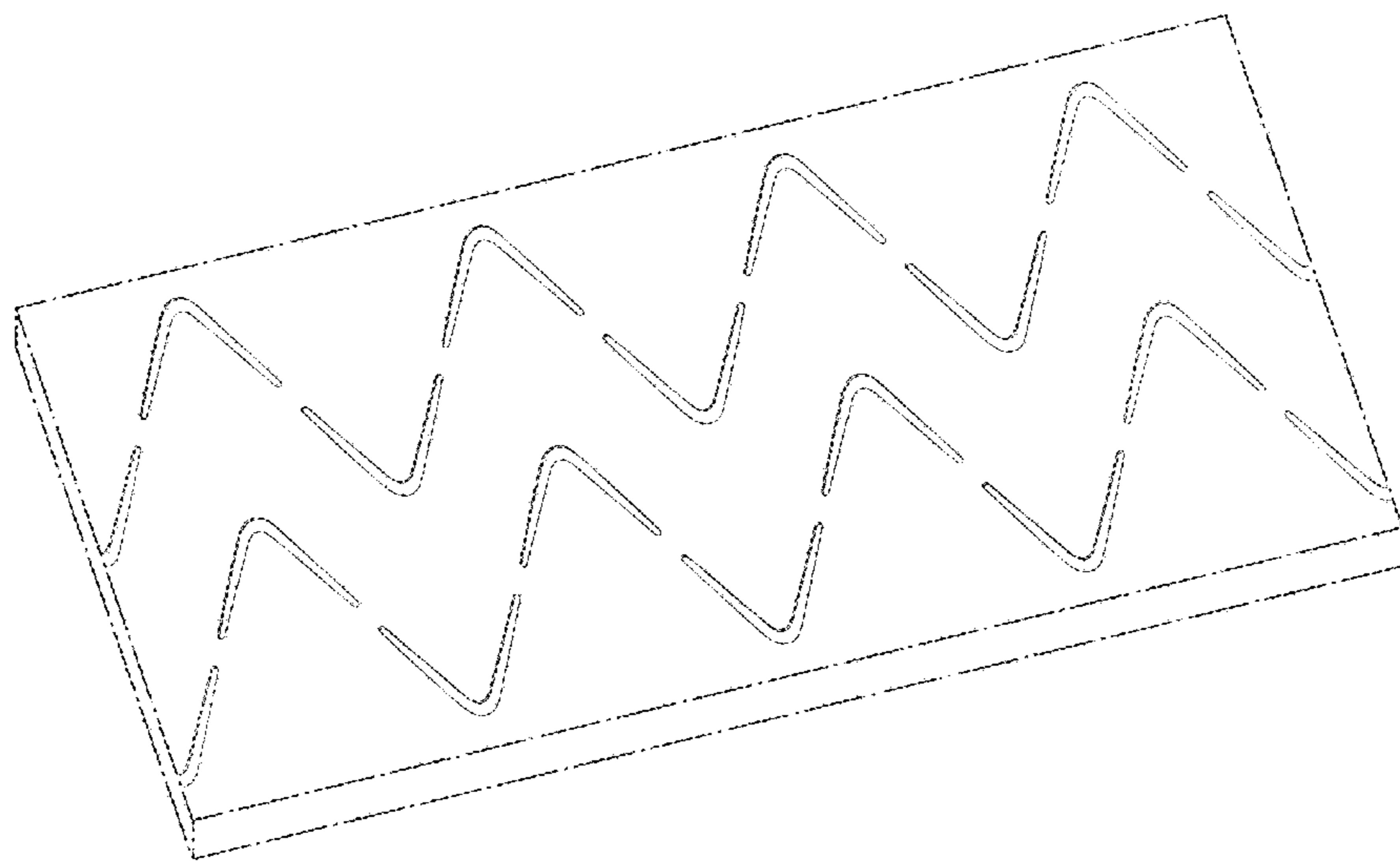
*Primary Examiner* — Karen S Acker  
(74) *Attorney, Agent, or Firm* — Kimberly-Clark  
Worldwide, Inc.

(57) **CLAIM**  
We claim the ornamental design for a paper sheet, as shown  
and described.

**DESCRIPTION**

FIG. 1 is a top plan view of the paper sheet showing our new  
ornamental design;  
FIG. 2 is a perspective view of the paper sheet showing our  
new ornamental design;  
FIG. 3 is a reference view of the paper sheet of FIG. 1  
including cut lines for views presented in FIGS. 4 and 5;  
FIG. 4 is a cross-sectional view in the direction of cut line  
4-4 of FIGS. 3; and,  
FIG. 5 is a cross-sectional view in the direction of cut line  
5-5 of FIG. 3.  
The broken lines and areas illustrating the rear and depth of  
the article beneath the surface and indentations depict por-  
tions of the paper sheet that form no part of the claimed  
design.

**1 Claim, 5 Drawing Sheets**



(56)

References Cited

U.S. PATENT DOCUMENTS

D99,449 S \* 4/1936 Perkins ..... D5/47  
D103,475 S \* 3/1937 Strauss ..... D5/51  
D105,910 S \* 8/1937 Wilde ..... D5/47  
2,130,375 A 9/1938 Atkins  
D116,387 S \* 8/1939 Sigoda ..... D5/47  
D117,999 S \* 12/1939 Kaplan ..... A47J 36/02  
D5/47  
D119,351 S 3/1940 Tabin  
D132,135 S 4/1942 Rigney  
2,556,071 A \* 6/1951 Denton ..... D06N 7/0089  
428/134  
D168,696 S \* 1/1953 Lefkowitz ..... D5/47  
D180,779 S \* 8/1957 Gersin et al. .... D5/47  
D181,100 S \* 10/1957 Kovler ..... D5/47  
D203,149 S \* 12/1965 Toothaker ..... D5/53  
D221,371 S 8/1971 Hughes  
3,655,501 A \* 4/1972 Tesch ..... A47G 27/00  
428/136  
3,733,606 A \* 5/1973 Johansson ..... F41H 3/02  
342/3  
3,877,576 A 4/1975 Kishi et al.  
D243,278 S \* 2/1977 Appleman ..... D5/56  
4,142,334 A \* 3/1979 Kirsch ..... A47L 13/16  
451/539  
D267,048 S 11/1982 Stocker  
4,483,728 A \* 11/1984 Bauernfeind ..... B31F 1/07  
156/209  
4,876,817 A \* 10/1989 Hill ..... A01M 31/00  
43/1  
D376,896 S \* 12/1996 O'Rorke ..... D2/951  
5,938,141 A 8/1999 Kanbar  
D434,913 S \* 12/2000 Schmidt ..... D5/53  
D446,367 S 8/2001 Denney  
D447,299 S \* 8/2001 Denney ..... D32/40  
D447,300 S 8/2001 Denney  
D447,610 S \* 9/2001 Denney ..... D32/40  
D451,656 S 12/2001 Denney  
D468,893 S \* 1/2003 Lupo ..... D2/947  
D472,055 S \* 3/2003 Ki ..... D5/56  
D475,510 S \* 6/2003 Reynolds ..... D2/946  
D496,779 S 10/2004 Belley et al.

D498,930 S \* 11/2004 Wong ..... D5/53  
D498,931 S \* 11/2004 Delaney ..... F41H 3/02  
D5/53  
D551,407 S \* 9/2007 Caruso ..... D32/40  
D592,001 S \* 5/2009 Smith ..... D6/601  
D597,779 S 8/2009 Hoyle et al.  
7,624,765 B2 \* 12/2009 Burazin ..... D21F 11/006  
139/383 A  
D636,136 S \* 4/2011 Hoyle ..... D32/50  
D636,607 S \* 4/2011 Withers ..... A47J 36/02  
D5/56  
D647,706 S \* 11/2011 Missoni ..... D06N 7/0089  
D5/56  
D657,451 S \* 4/2012 Gehrke ..... D24/126  
D660,008 S 5/2012 Carminati Molina  
D678,685 S \* 3/2013 Kase ..... D5/56  
9,161,869 B2 \* 10/2015 Lee ..... A61F 13/8405  
D780,463 S \* 3/2017 Bichlmeier ..... A01M 31/00  
D5/56  
D799,130 S 10/2017 Cornelius et al.  
D818,721 S 5/2018 Delaney et al.  
D851,945 S \* 6/2019 Toelke ..... D21F 11/006  
D5/59  
D852,513 S \* 7/2019 Toelke ..... D5/59  
D853,131 S 7/2019 Lin  
D882,277 S \* 4/2020 Delaney ..... D5/63  
D890,533 S \* 7/2020 Funk ..... D5/56  
D897,081 S \* 9/2020 Hernandez ..... D2/953  
D907,931 S \* 1/2021 Moody, III ..... D5/59  
D912,409 S \* 3/2021 Yamada ..... D5/56  
D915,607 S \* 4/2021 Kase ..... D24/189  
D924,573 S \* 7/2021 Toronjo ..... D5/56  
2004/0003521 A1 1/2004 Penn et al.  
2007/0020440 A1 \* 1/2007 Wong ..... B32B 3/26  
428/178  
2010/0038045 A1 2/2010 Paré et al.  
2010/0233255 A1 9/2010 Moinet et al.  
2014/0134374 A1 5/2014 Chu et al.

OTHER PUBLICATIONS

Co-Pending U.S. Appl. No. 29/668,517, filed Oct. 31, 2019, by Funk et al. for "Paper Product Having a Surface Pattern".

\* cited by examiner

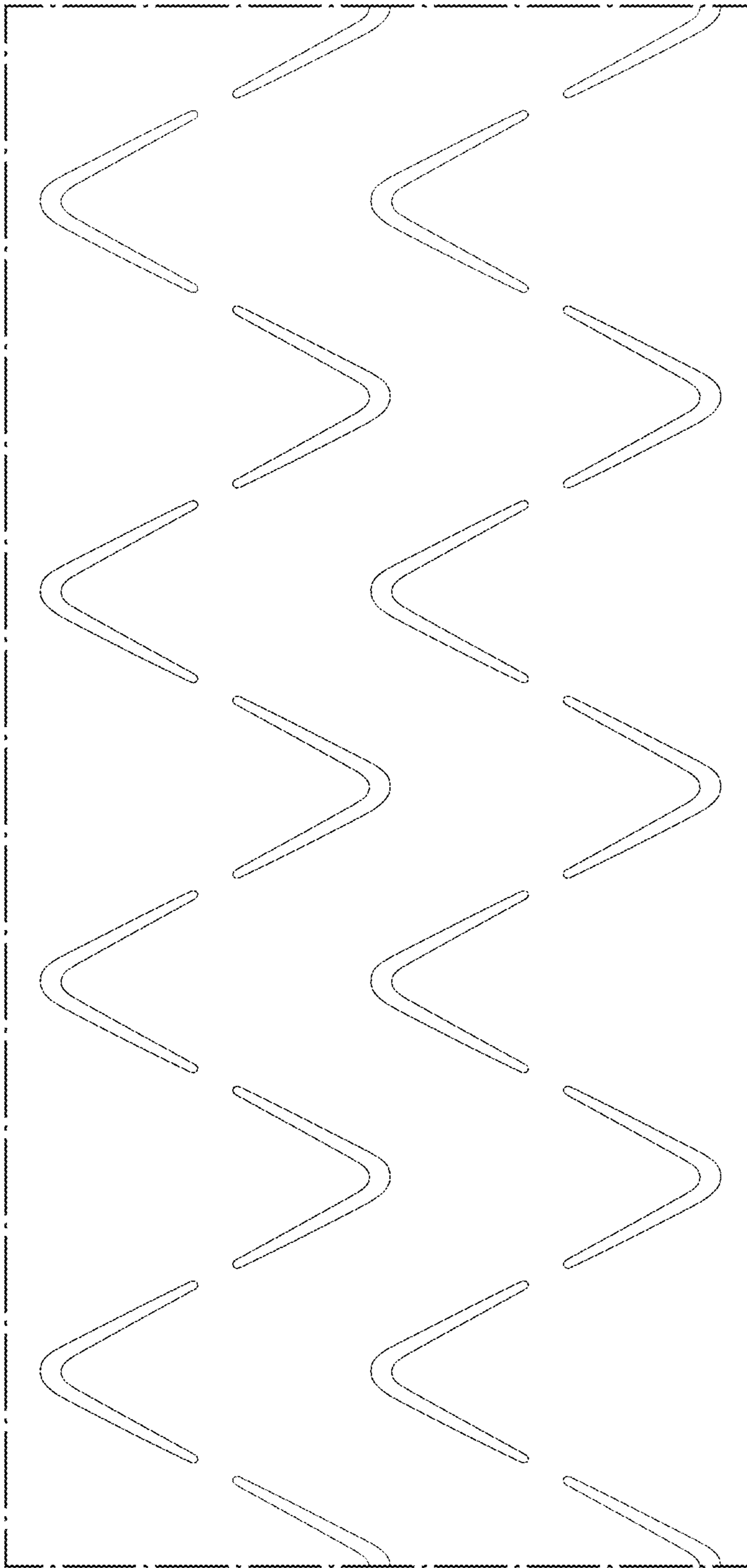


FIG. 1



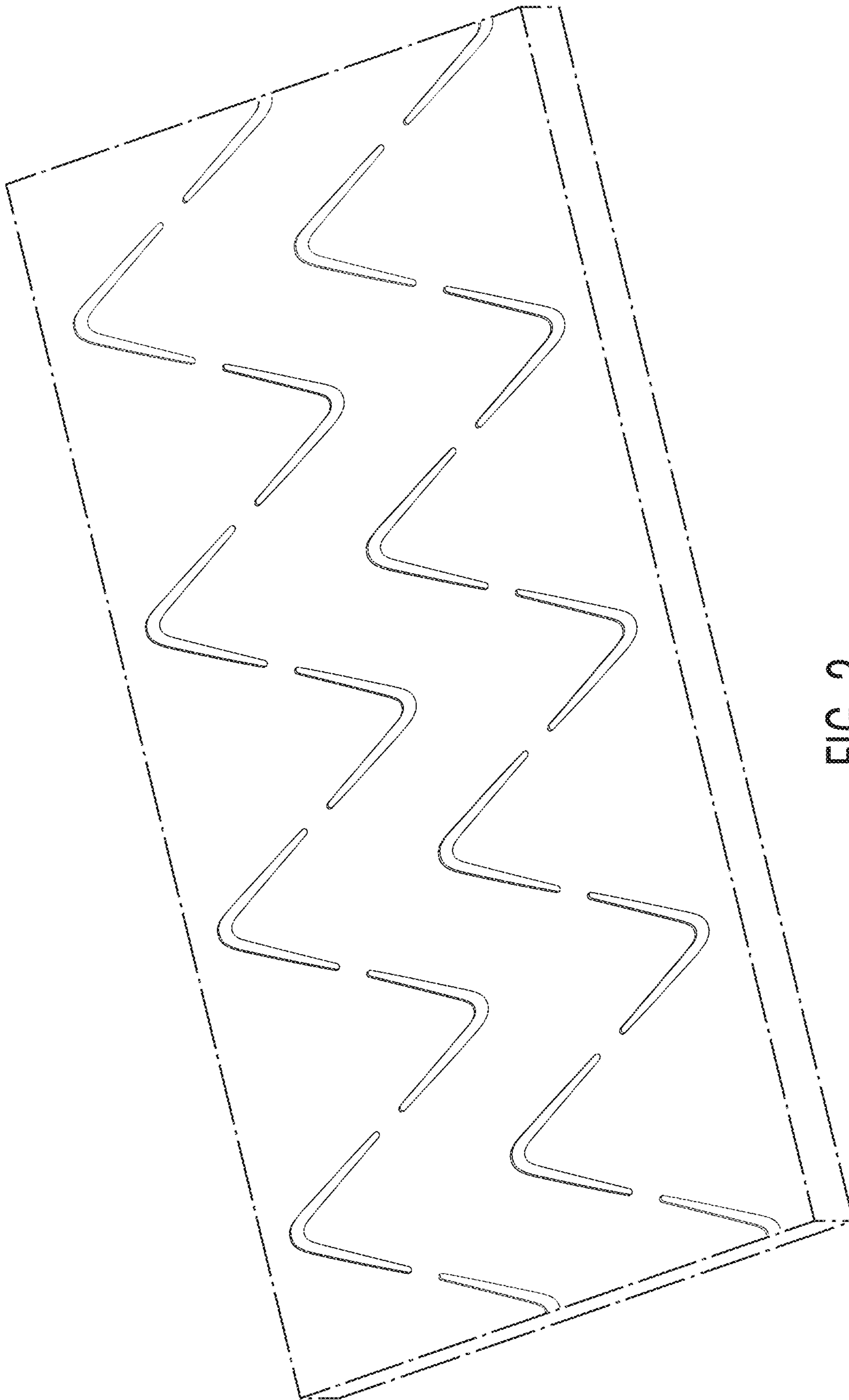


FIG. 2

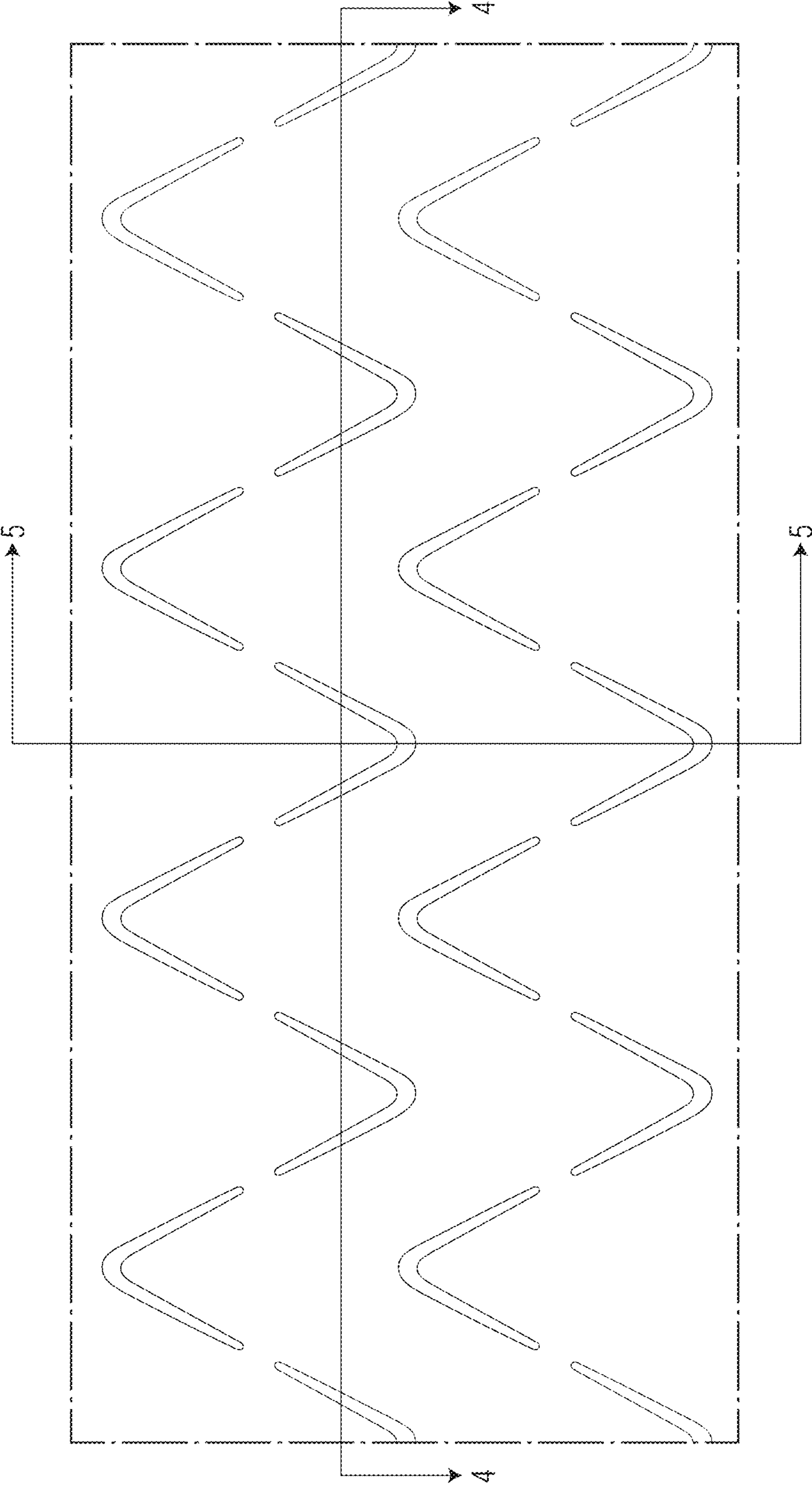


FIG. 3



FIG. 4



FIG. 5