



US00D945164S

(12) **United States Design Patent**
Ivory

(10) **Patent No.:** **US D945,164 S**

(45) **Date of Patent:** **** Mar. 8, 2022**

- (54) **HAIR STYLING TOOL**
- (71) Applicant: **Rhychelle and Co. LLC**, Compton, CA (US)
- (72) Inventor: **Rochelle Rene Ivory**, Compton, CA (US)
- (**) Term: **15 Years**
- (21) Appl. No.: **29/741,479**
- (22) Filed: **Jul. 13, 2020**
- (51) **LOC (13) Cl.** **04-01**
- (52) **U.S. Cl.**
USPC **D4/119**
- (58) **Field of Classification Search**
USPC D4/119, 106, 117, 134, 108, 104, 138, D4/105; D32/35; D28/23
CPC A46B 9/06; A46B 9/04; A46B 5/0054; A46B 5/02
See application file for complete search history.

D542,541 S *	5/2007	Lowsky, Jr.	D4/106
D614,870 S *	5/2010	Buda	D4/108
7,913,347 B2 *	3/2011	Wong	A46B 5/0054 15/172
D734,038 S *	7/2015	Suher	D4/120
D758,742 S *	6/2016	Nicoline	D4/138
D761,025 S *	7/2016	Hinckley	D4/105
D813,553 S *	3/2018	Ford	D4/134
D823,003 S *	7/2018	Lafortune	D4/117
D825,935 S *	8/2018	Pulfrey	D4/134
D850,117 S *	6/2019	Suh	D4/119
D857,398 S *	8/2019	Touma	D4/121
D866,984 S *	11/2019	Odum	D4/117
D882,872 S *	4/2020	Park	D28/23
D890,529 S *	7/2020	Choi	D4/120
10,973,311 B1 *	4/2021	Hendricks-Sturup	..	A46B 9/06
D930,367 S *	9/2021	Wojczak	D4/138
D932,779 S *	10/2021	Choi	D4/120

* cited by examiner

Primary Examiner — Rhea Shields
(74) *Attorney, Agent, or Firm* — Chanelle N. Mack

(57) **CLAIM**

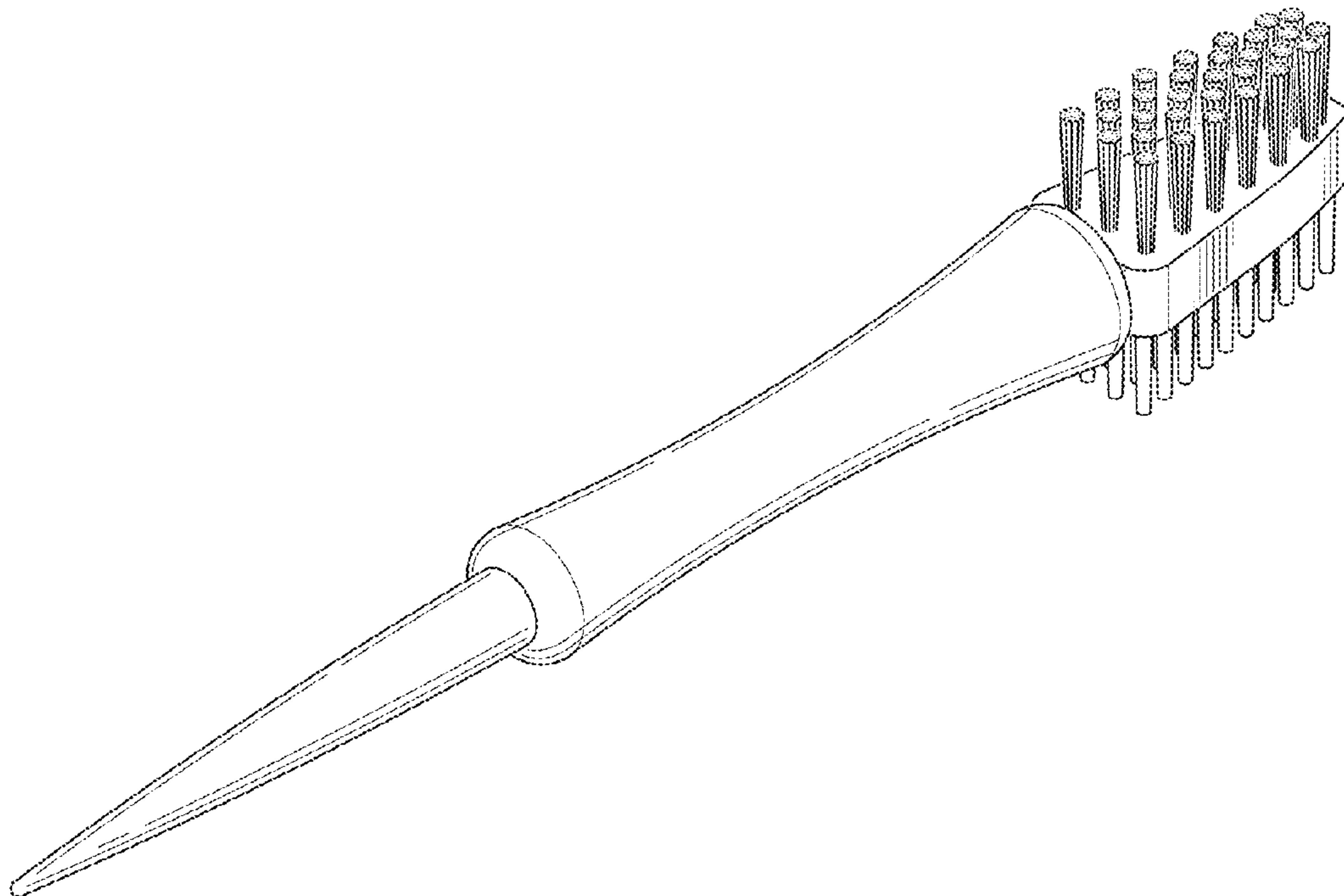
The ornamental design for a hair styling tool, as shown and described.

DESCRIPTION

FIG. 1 depicts an isometric view of the hair styling tool. FIG. 2 depicts an isometric view of a second embodiment the hair styling tool. FIG. 3 depicts a top view of the second embodiment of the hair styling tool. FIG. 4 depicts a left side view of the hair styling tool. FIG. 5 depicts a top view of the hair styling tool; and, FIG. 6 depicts a right side view of the hair styling tool.

1 Claim, 2 Drawing Sheets

- (56) **References Cited**
U.S. PATENT DOCUMENTS
- 2,304,319 A * 12/1942 Saltzman A46B 5/02
15/167.1
- D146,271 S * 1/1947 Stavely D4/104
- D196,706 S * 10/1963 Hannan D4/120
- D197,506 S * 2/1964 Lardenois D4/134
- D363,820 S * 11/1995 Winge D4/106
- 5,544,383 A * 8/1996 Gamble A46B 9/04
15/106
- 5,920,941 A * 7/1999 Iannotta A46B 9/04
15/106
- D434,566 S * 12/2000 Mann D32/35
- D473,717 S * 4/2003 Park D4/120



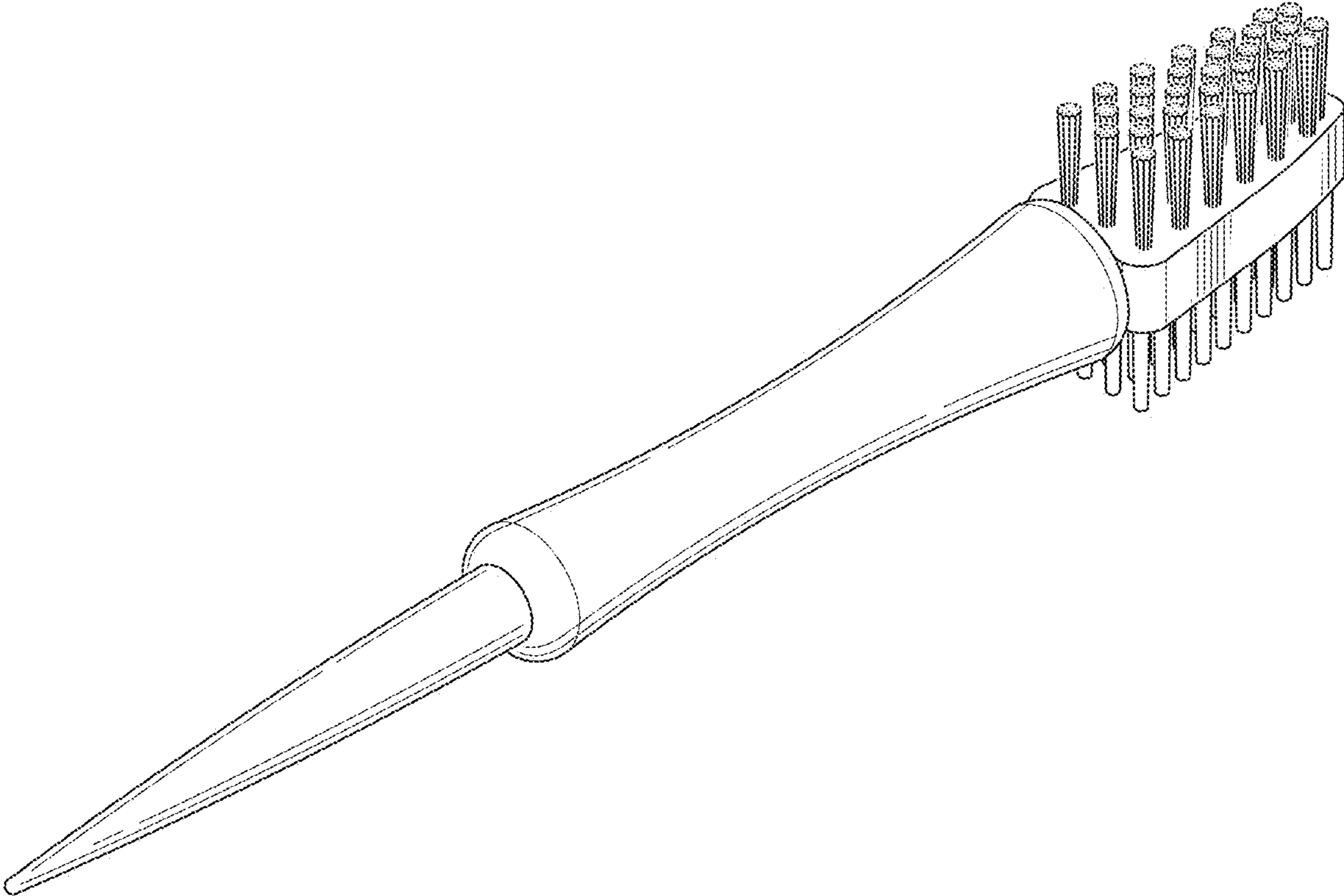


FIG. 1

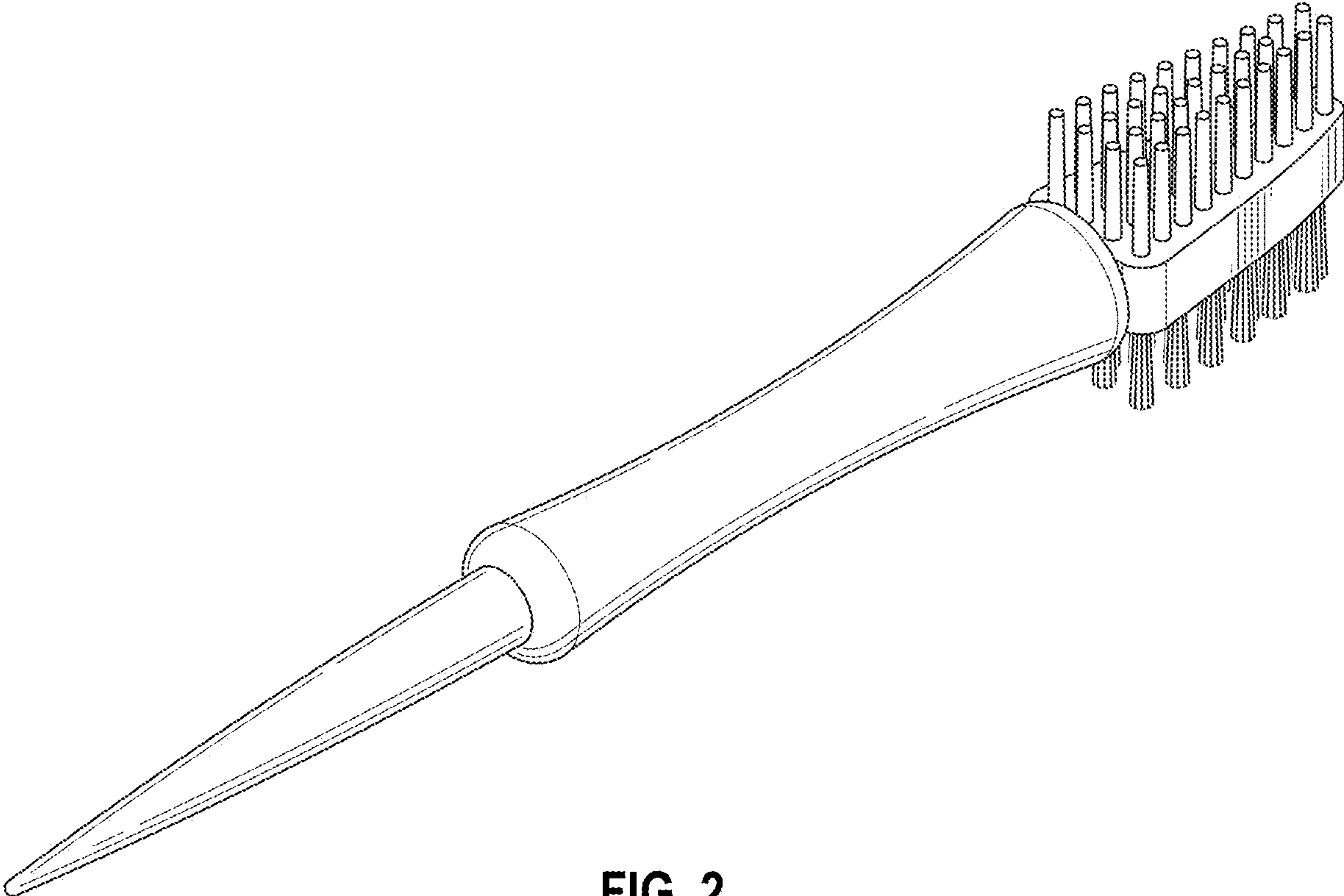


FIG. 2

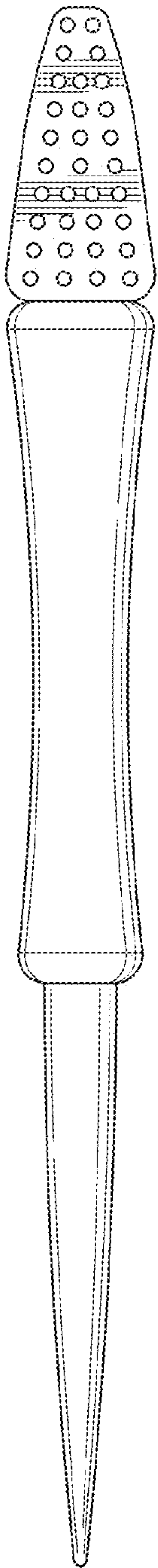


FIG. 3

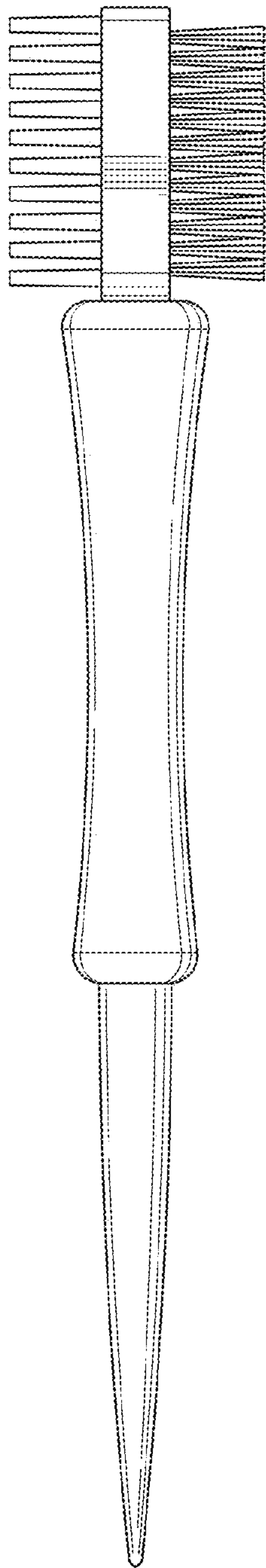


FIG. 4

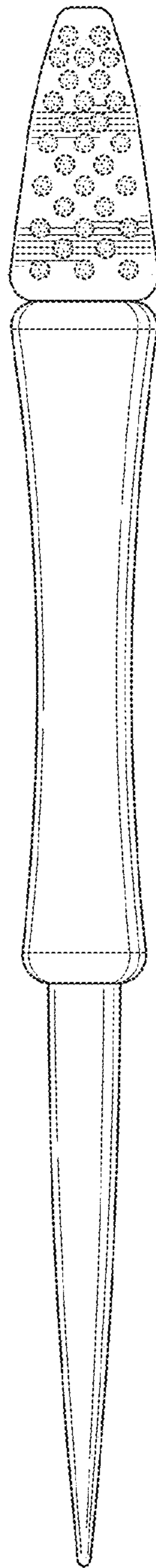


FIG. 5

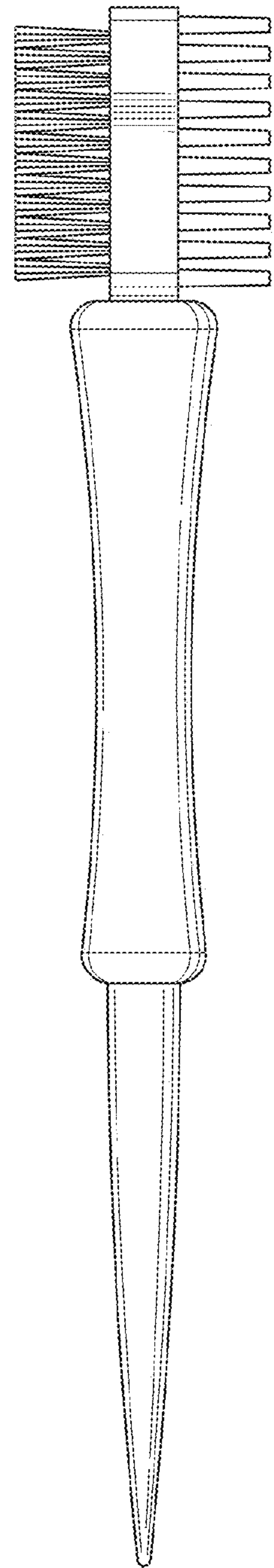


FIG. 6