



US00D945162S

(12) **United States Design Patent**
Kennedy et al.

(10) **Patent No.:** **US D945,162 S**
(45) **Date of Patent:** **** Mar. 8, 2022**

- (54) **BASKET**
- (71) Applicant: **Target Brands, Inc.**, Minneapolis, MN (US)
- (72) Inventors: **Amelia Kennedy**, Minneapolis, MN (US); **Amy Wilson**, Eagan, MN (US)
- (73) Assignee: **Target Brands, Inc.**, Minneapolis, MN (US)
- (**) Term: **15 Years**
- (21) Appl. No.: **29/716,425**
- (22) Filed: **Dec. 10, 2019**
- (51) **LOC (13) Cl.** **09-04**
- (52) **U.S. Cl.**
USPC **D3/306**
- (58) **Field of Classification Search**
USPC D3/212, 272-274, 276-277, 294, D3/304-314; D21/488
CPC D06F 95/002; A47B 2210/0024; A47B 2088/401; A47B 47/0033; B65D 25/282
See application file for complete search history.

- D776,926 S 1/2017 Duvigneau
- D789,089 S * 6/2017 Duvigneau D3/306
- D796,202 S 9/2017 Ranco
- D802,927 S * 11/2017 Thoma D3/307
- D811,750 S 3/2018 Farber
- D858,111 S 9/2019 Farber

OTHER PUBLICATIONS

Wayfair, "White Plastic Rattan Storage Basket Organizer", <https://www.wayfair.com/storage-organization/pdx/rebrilliant-plastic-rattan-storage-basket-organizer-w002086237.html>, at least as early as Nov. 20, 2019, 1 page.

Target, "Y-Weave Medium Rectangle Bin—Room Essentials", <https://www.target.com/p/y-weave-medium-rectangle-storage-bin-white-room-essentials-153/-/A-14469240>, at least as early as Nov. 20, 2019, 1 page.

(Continued)

Primary Examiner — Kevin K Rudzinski
Assistant Examiner — Amber J Rabie
 (74) *Attorney, Agent, or Firm* — Leanne Taveggia Farrell; Westman, Champlin & Koehler, P.A.

(57) **CLAIM**

The ornamental design for a basket, as shown and described.

DESCRIPTION

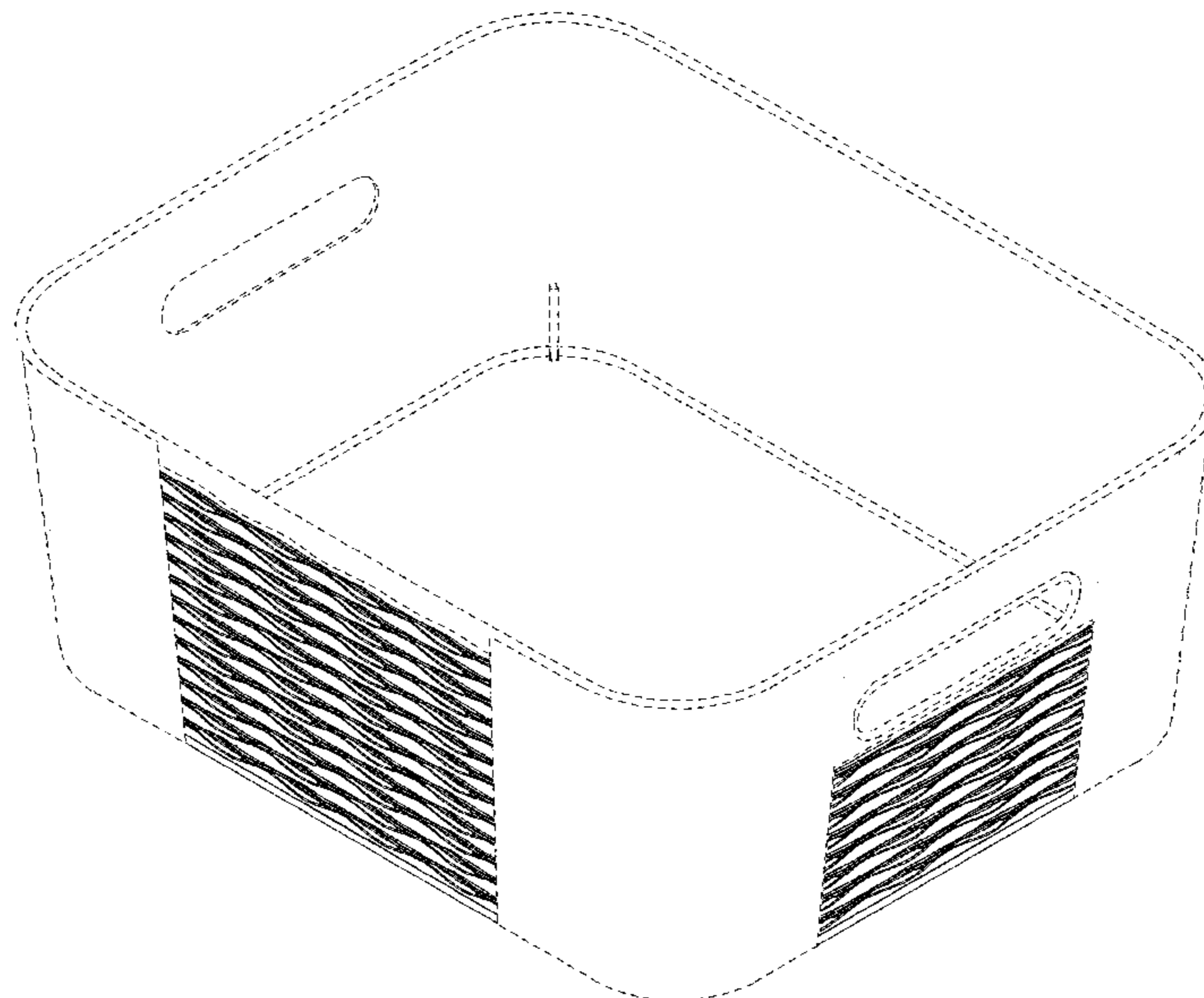
FIG. 1 is a perspective view of a basket showing our new design;
 FIG. 2 is a top view thereof;
 FIG. 3 is a bottom view thereof;
 FIG. 4 is a front view thereof, the back view being identical; and,
 FIG. 5 is a right side view thereof, the left side view being identical.
 The broken lines shown in the drawings are included for purposes of illustrating portions of or boundaries of the basket and form no part of the claimed design.

1 Claim, 4 Drawing Sheets

(56) **References Cited**

U.S. PATENT DOCUMENTS

- 1,973,643 A * 9/1934 Lush B65D 9/38 217/122
- D332,857 S * 1/1993 Cooper D3/304
- D419,302 S 1/2000 Hardy et al.
- D451,675 S 12/2001 Hardy et al.
- D657,562 S 4/2012 McNamara
- D671,753 S 12/2012 Anderson et al.
- D681,350 S 5/2013 Anderson et al.
- D694,023 S 11/2013 Thuma et al.
- D694,526 S 12/2013 Anderson et al.
- D701,048 S 3/2014 Fischer, Jr. et al.
- D719,733 S 12/2014 Liu
- D735,602 S 8/2015 Anderson et al.
- D757,451 S 5/2016 Brownrigg et al.



(56)

References Cited

OTHER PUBLICATIONS

JoAnn Fabric, “Jute Cube Basket-Slate Grey”, <https://www.joann.com/jute-cube-basket-slate-grey/16287336.html#start=1>, at least as early as Nov. 20, 2019, 1 page.

BM Stores, “Large Chevron Storage Basket—Black”, <https://www.bmstores.co.uk/products/large-chevron-storage-basket-black-3430263>, at least as early as Nov. 20, 2019, 1 page.

JVL Homeware Solutions, “6.6L Loop Storage Basket”, <https://www.jvl.co.uk/66l-loop-storage-basket-2>, at least as early as Nov. 20, 2019, 1 page.

Amazon, “Curver Medium Faux Rattan Storage Basket, 30×36×14cm—Grey”, <https://www.amazon.co.uk/Curver-Medium-Rattan-Storage-Basket/dp/B01MRKR3F9>, at least as early as May 8, 2018, 1 page.

PMSHOPI, “STARVA ST 5 Pack Plastic Storage Basket”, https://www.pmsshopi.com/product_info.php?c=plastic%20storage%20basket, at least as early as Nov. 20, 2019, 1 page.

Prowl and Growl, “YBM Home Plastic Rattan Storage Box Basket Organizer”, <http://www.newnanprowlandgrowl.com/ybm-home-plastic-rattan-storage-box-basket-organizer-ba413-beige-small-ylbxexasq-baskets-bins-and-containers.html>, at least as early as Nov. 20, 2019, 1 page.

* cited by examiner

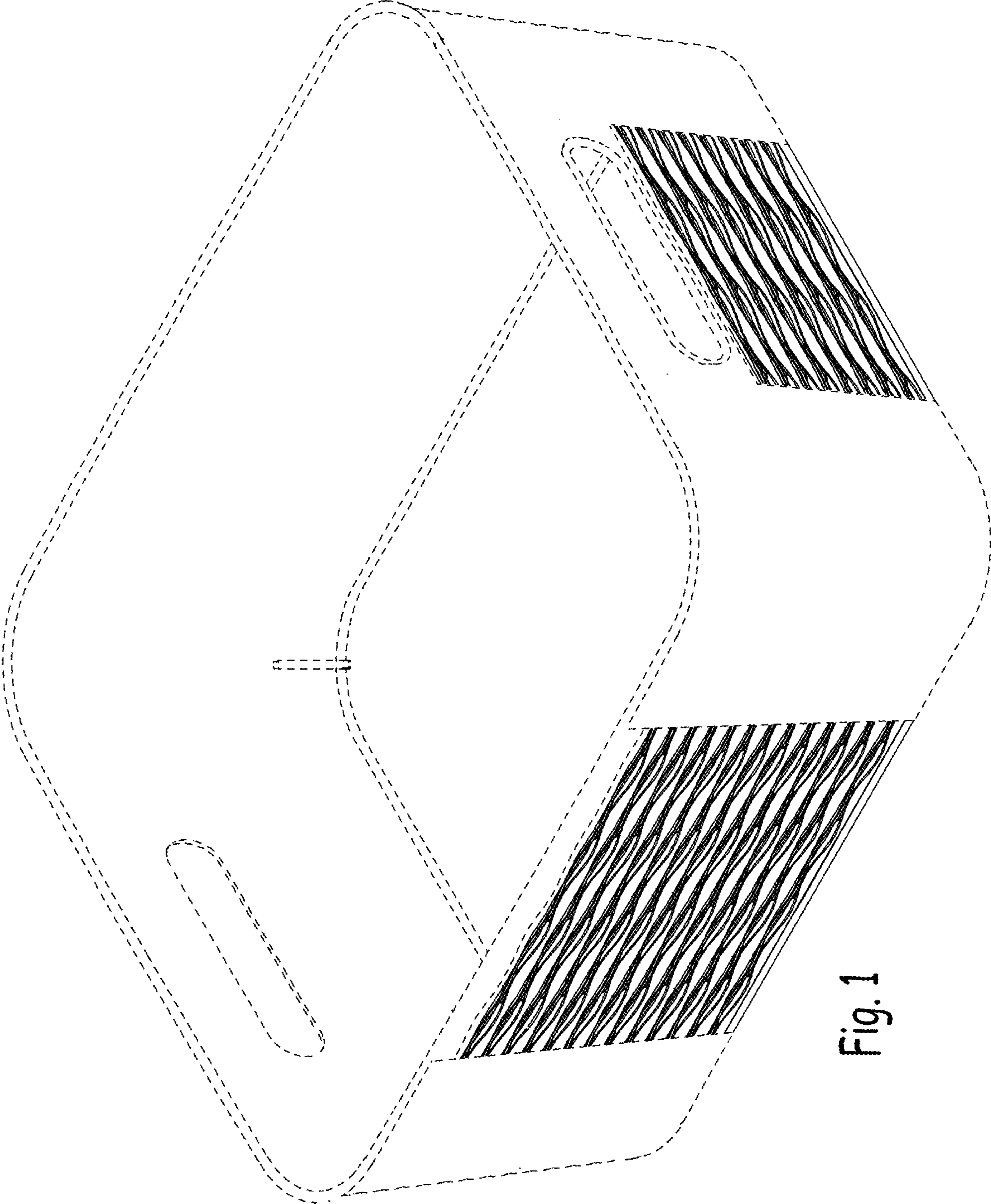


Fig. 1

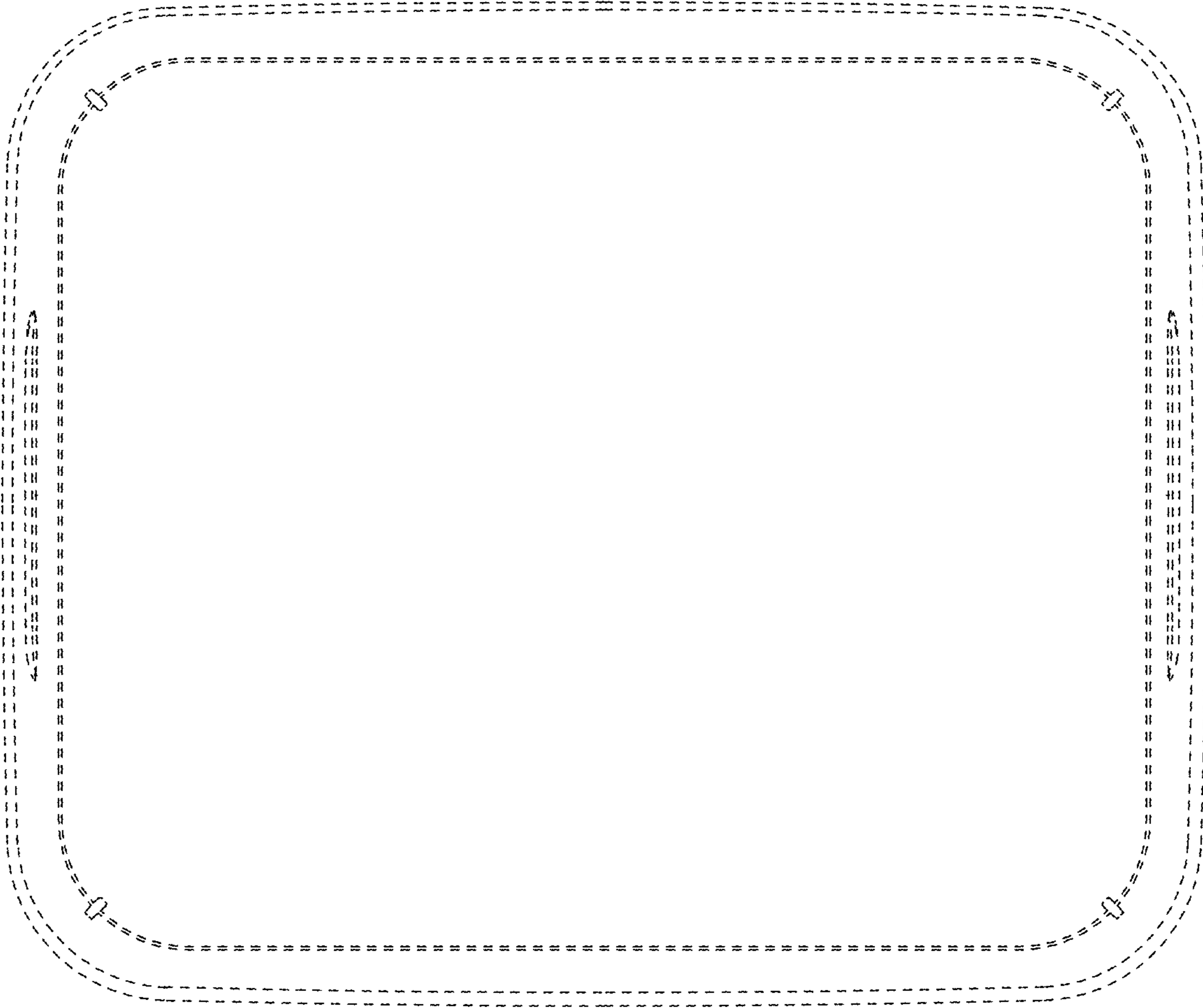


Fig. 2

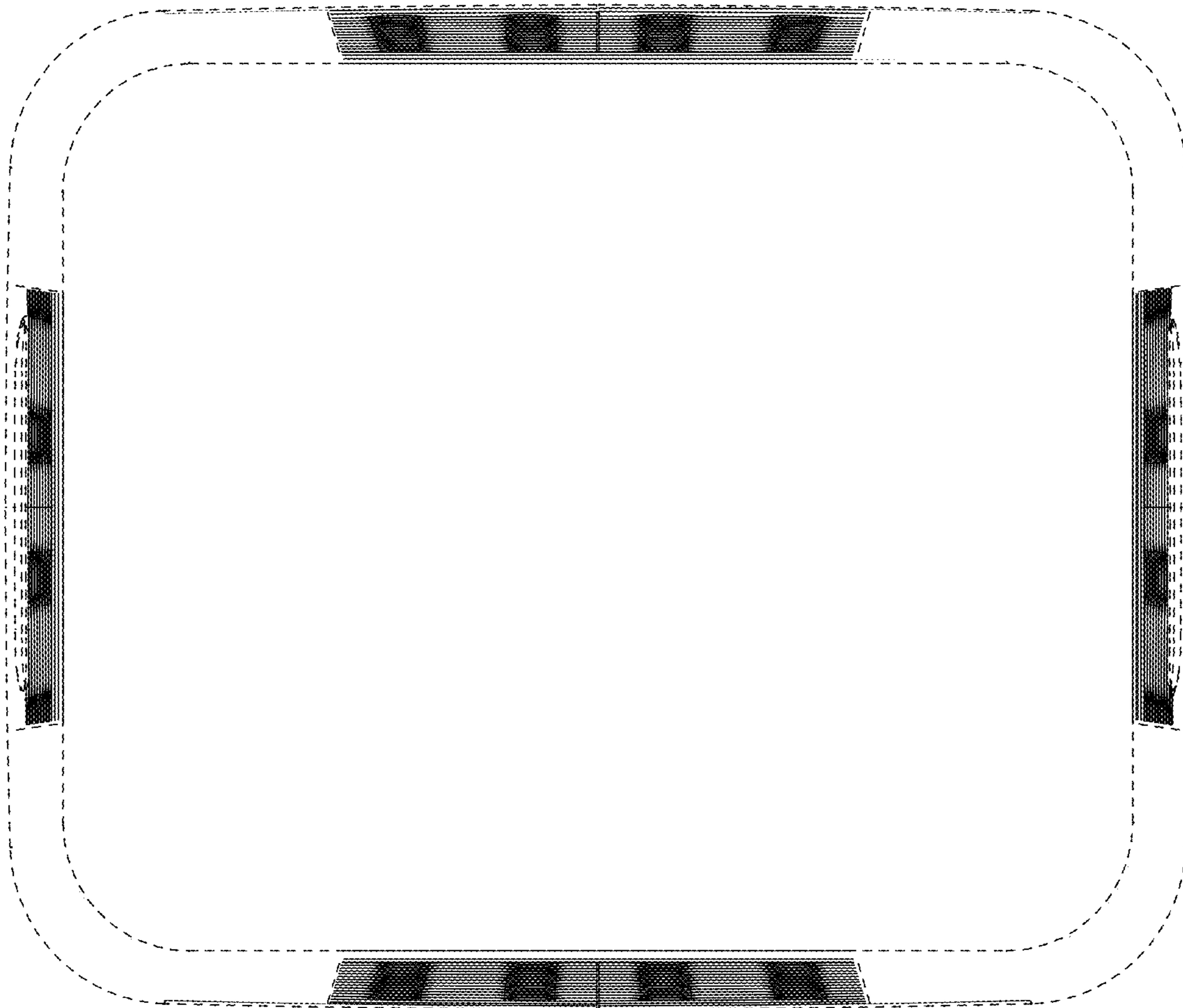


Fig. 3

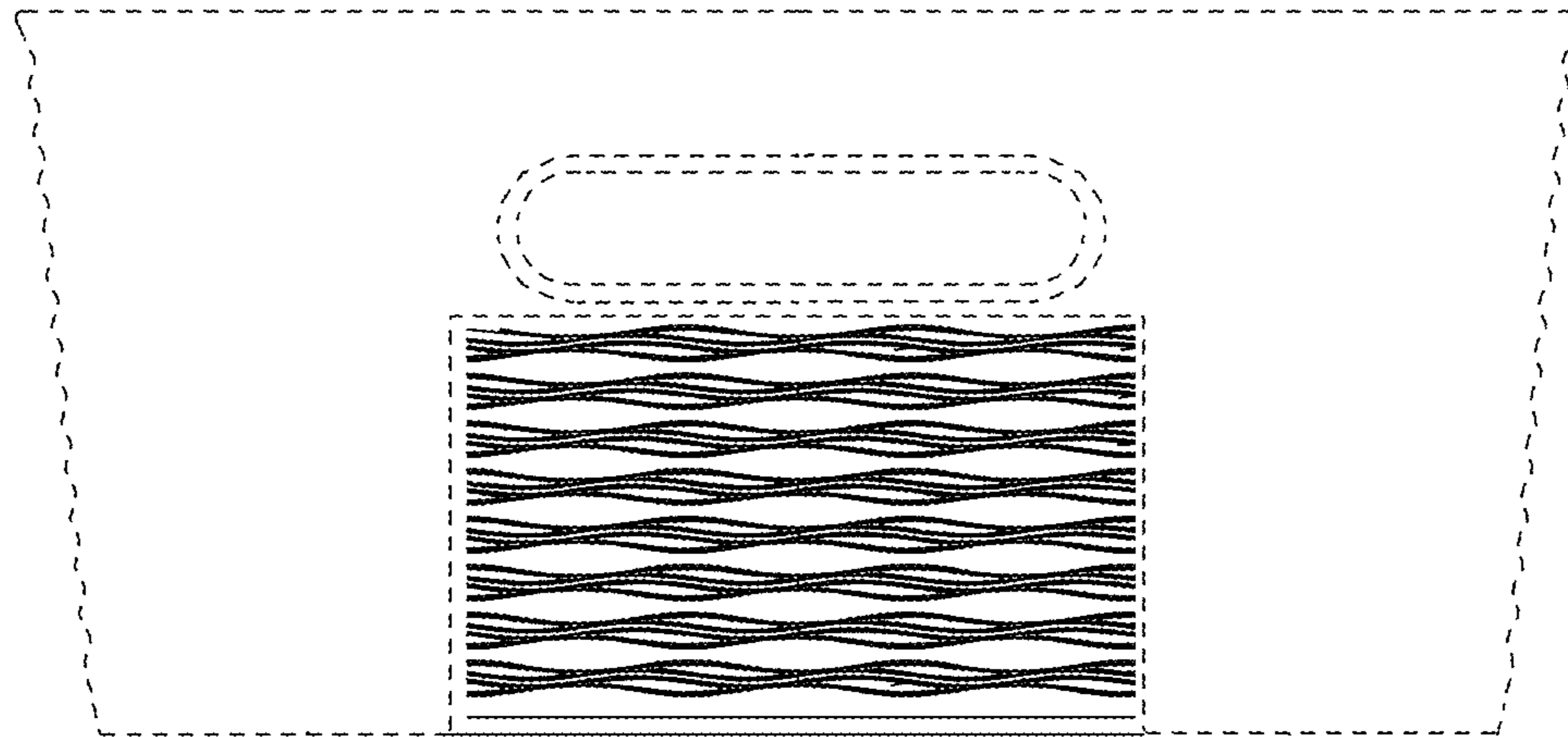


Fig. 4

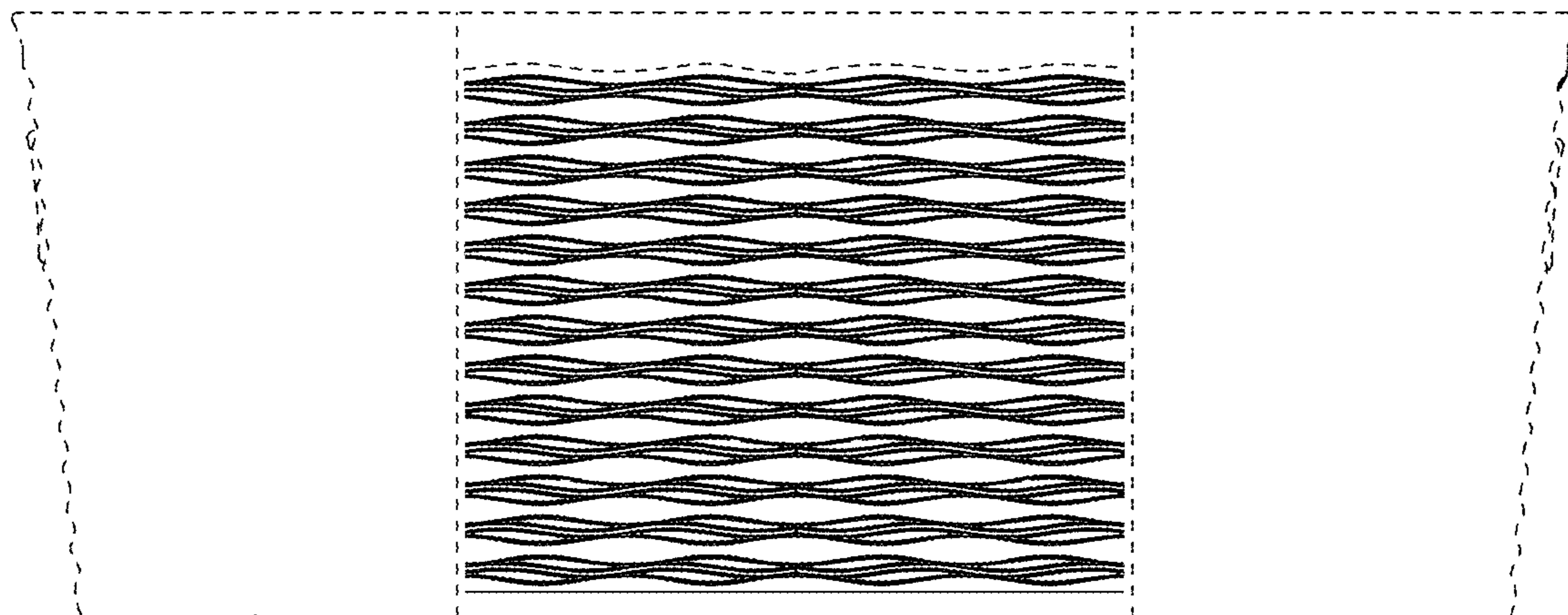


Fig. 5